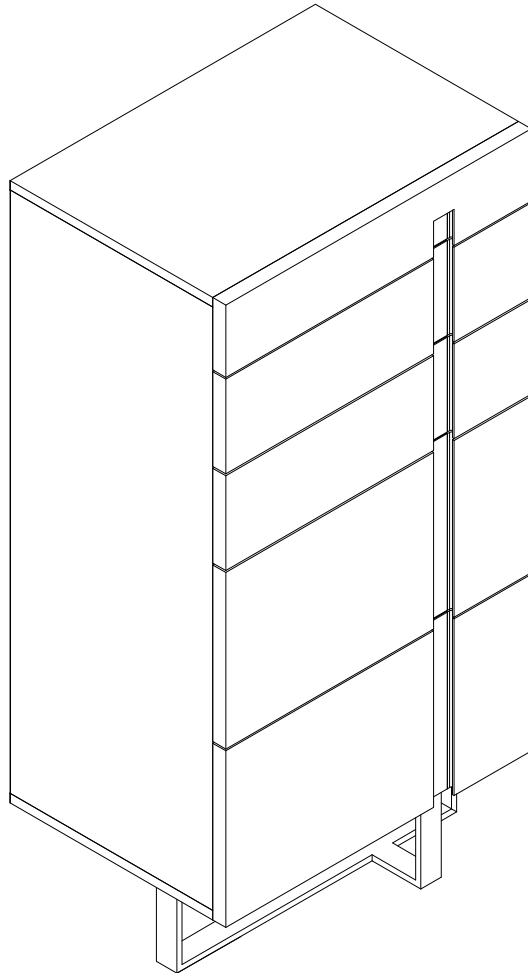


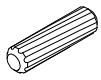
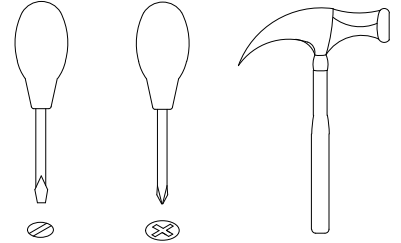
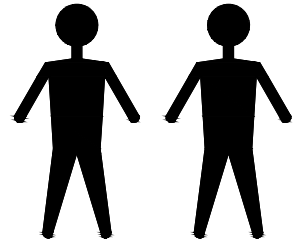


CP1302A-V/V

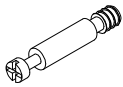


EAC

CP1302A-V/V



A x28
Spec: $\varnothing 8 \times 30$



B x22
Spec: $\varnothing 7 \times L30$



C x22
Spec: $\varnothing 15 \times H12$



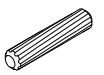
D x20
Spec: $\varnothing 6 \times L28$



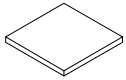
E x20
Spec: $\varnothing 12 \times H9$



F x30
Spec: $\varnothing 6 \times L8$



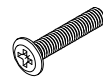
G x16
Spec: $\varnothing 6 \times 30$



H x5
Spec: 38×38



I x5
Spec: L350



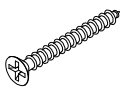
J x6
Spec: M6*25



K x6
Spec: M18*8, 2*2



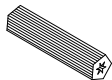
L x8
Spec:



M x24
Spec: $\varnothing 3.5 \times L35$



N x2
Spec: $\varnothing 4 \times L16$



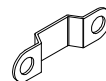
O x4
Spec:



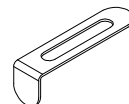
P x6
Spec: $10 \times 4 \times 1$



Q x34
Spec:



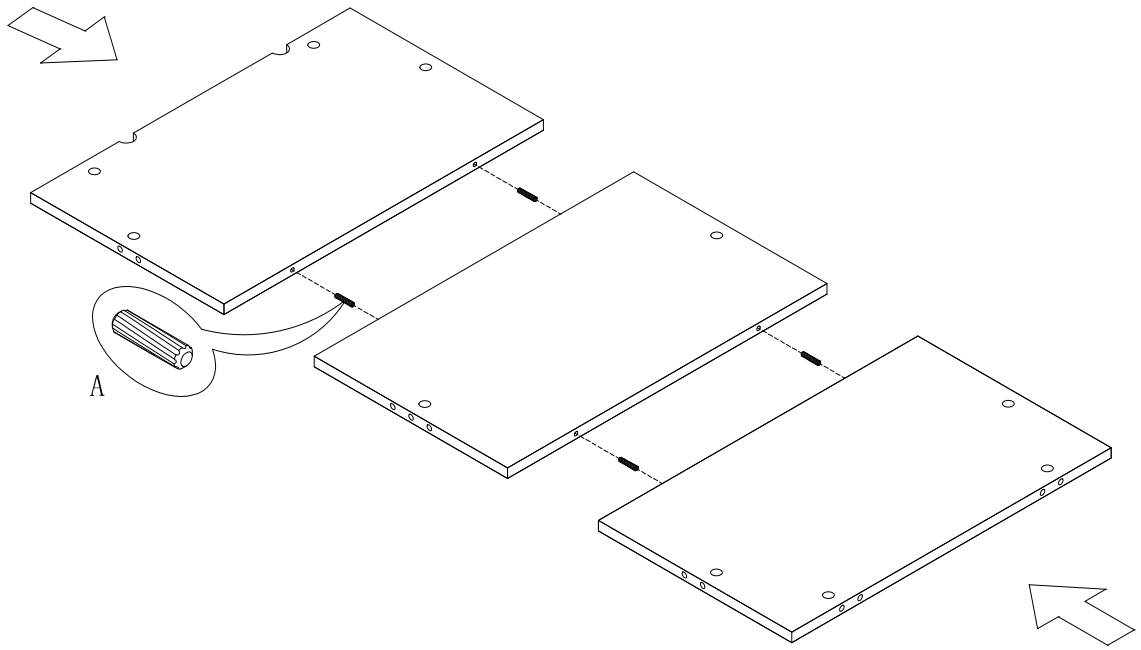
R x2
Spec:



S x2
Spec:

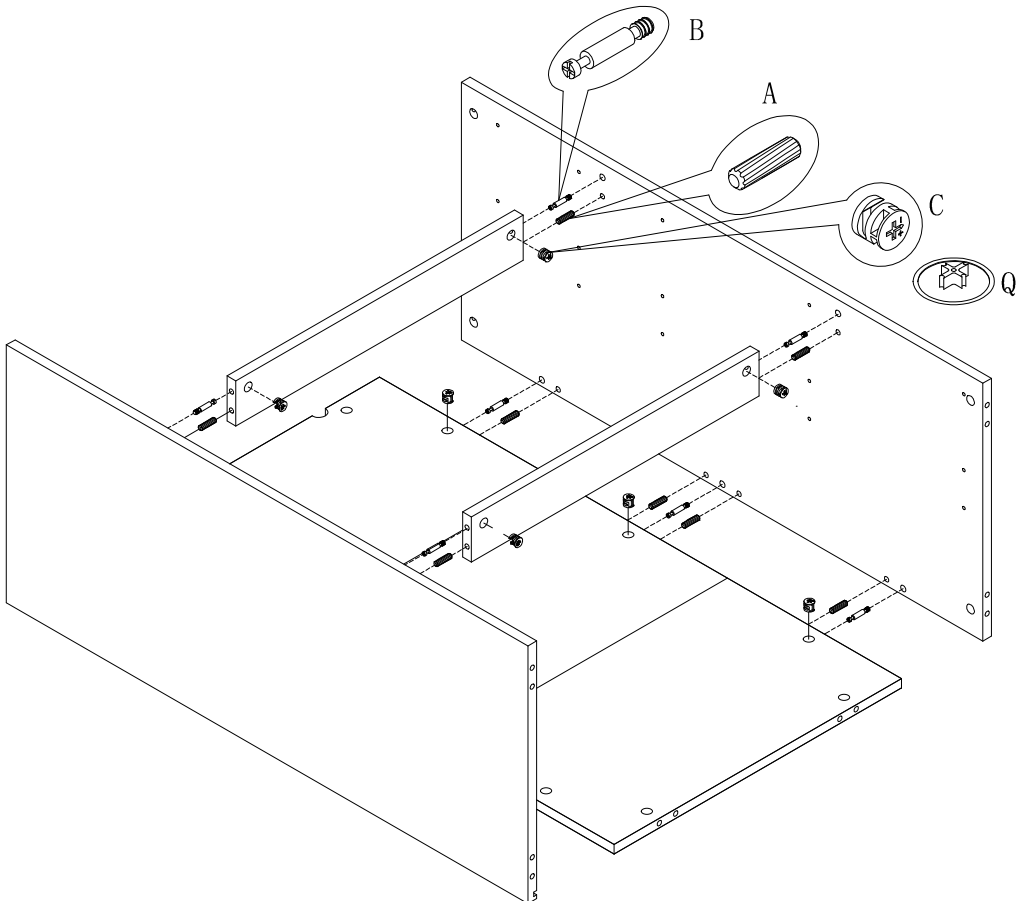


AAA x20
Spec: $\varnothing 3.8 \times L12$

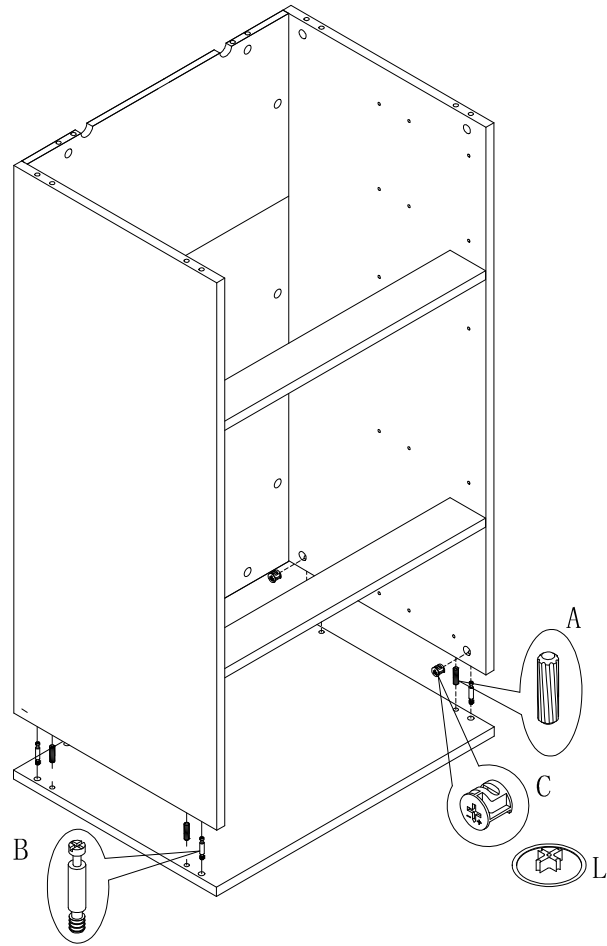


1

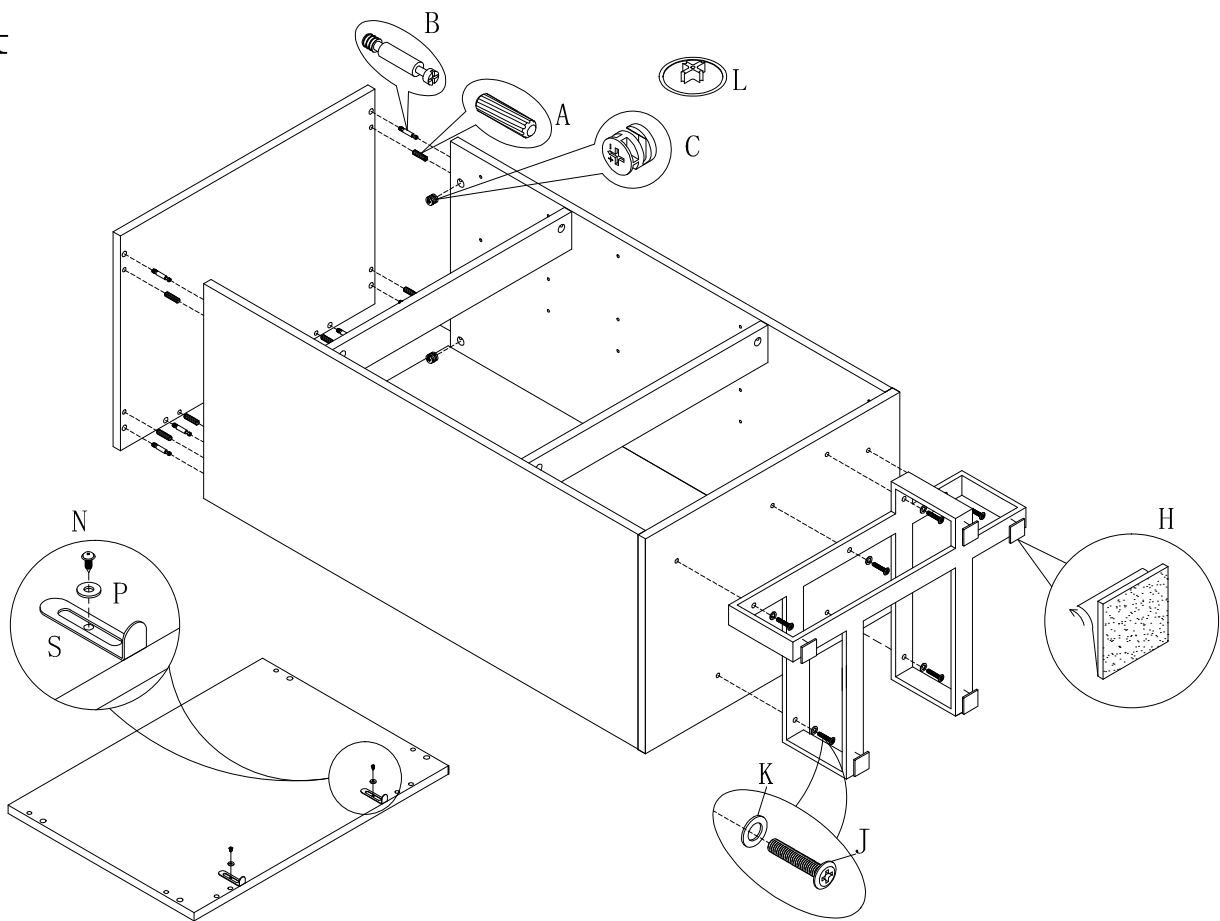
2

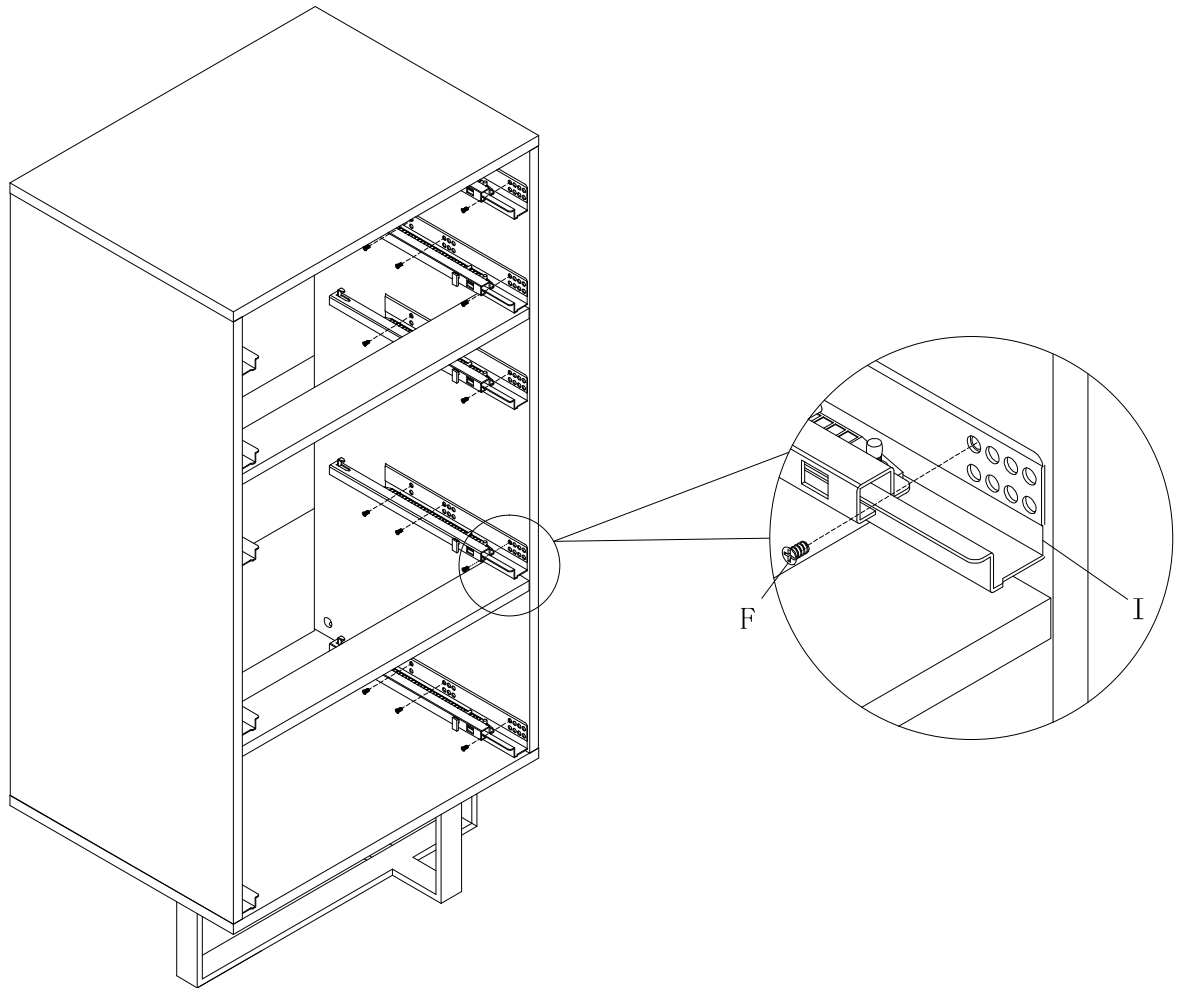


3

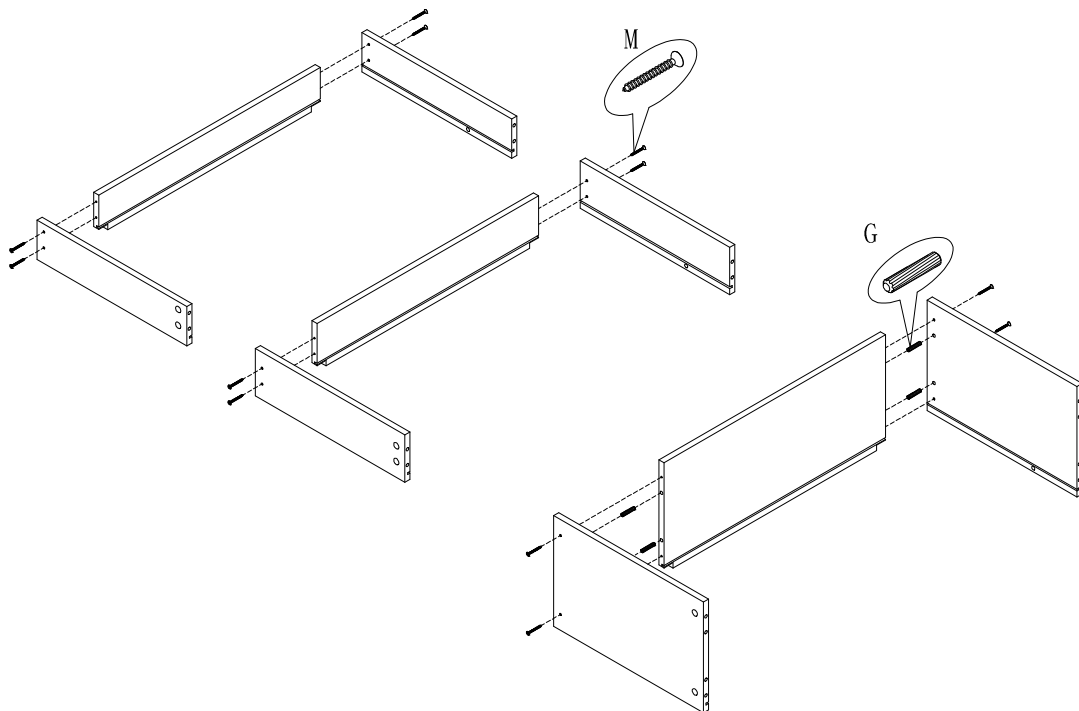


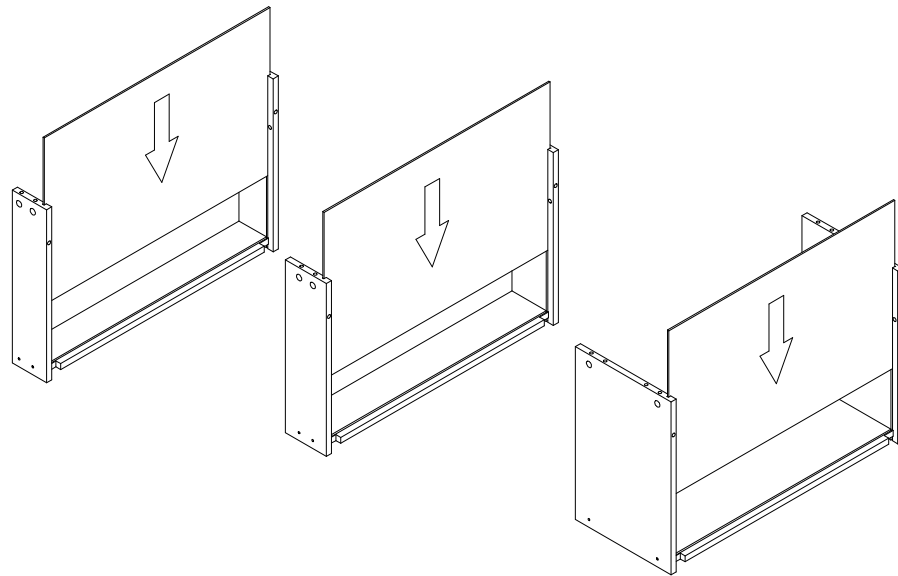
4





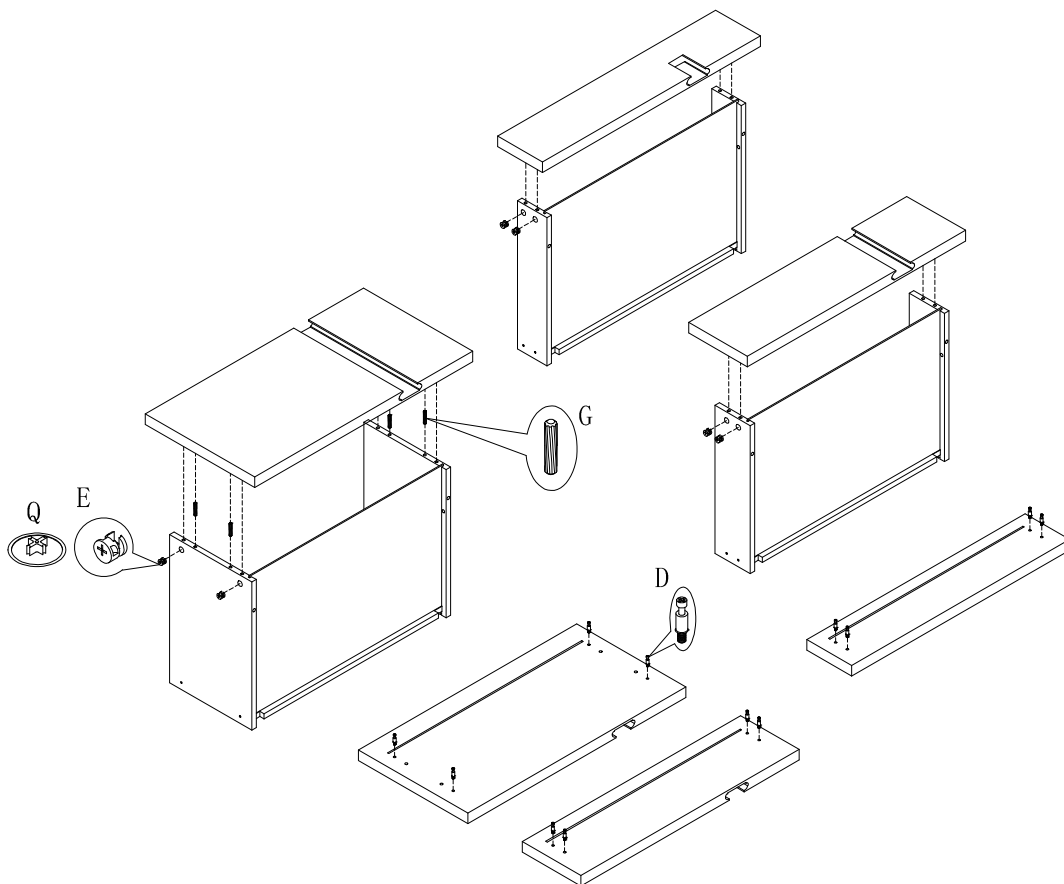
6

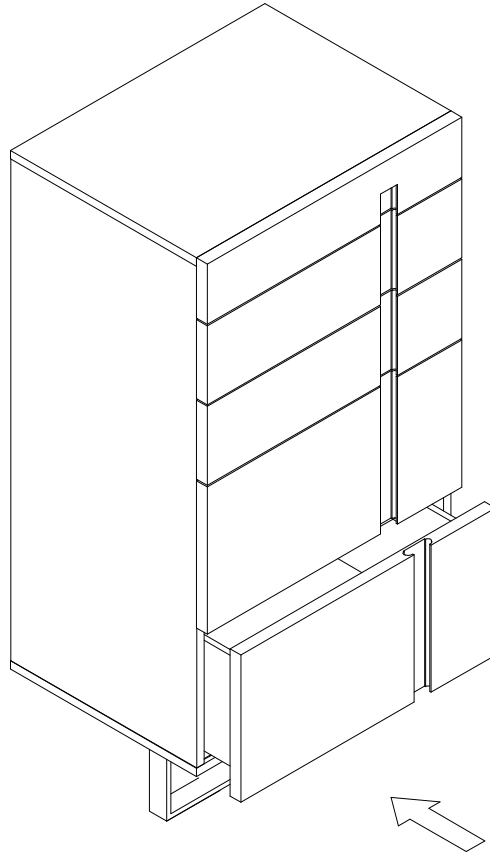




7

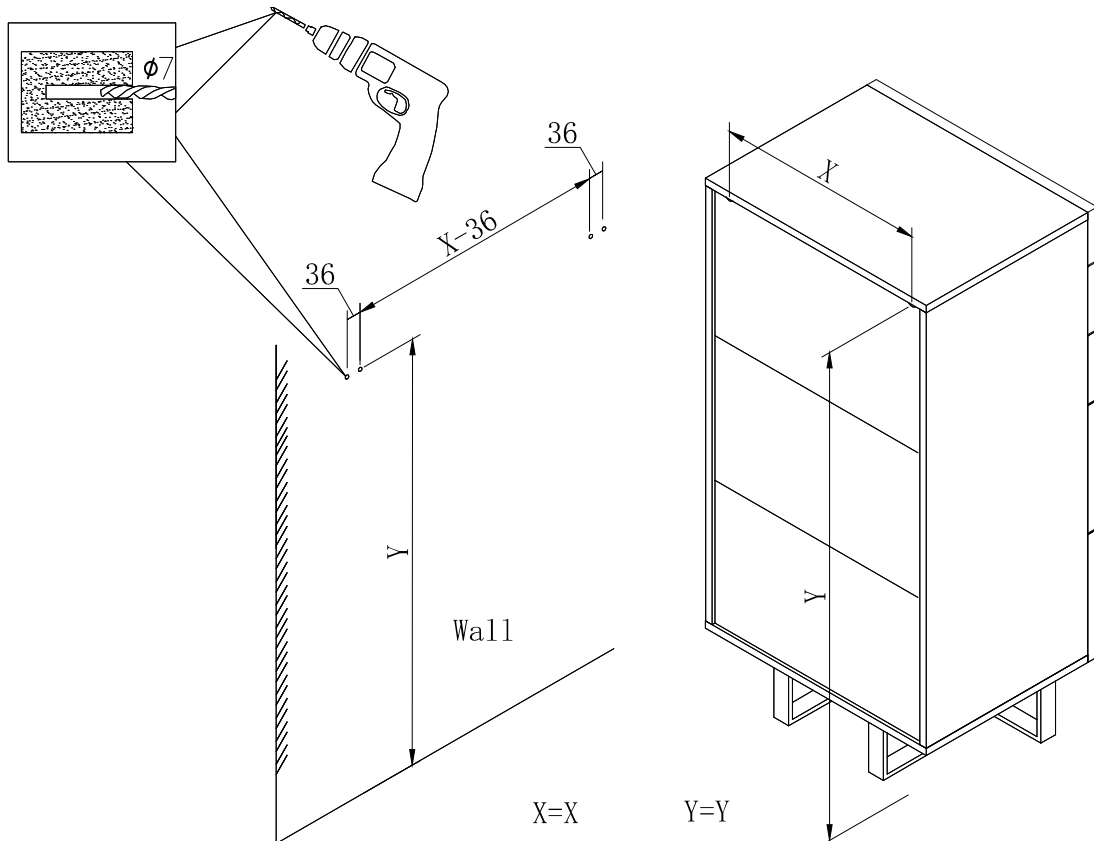
8

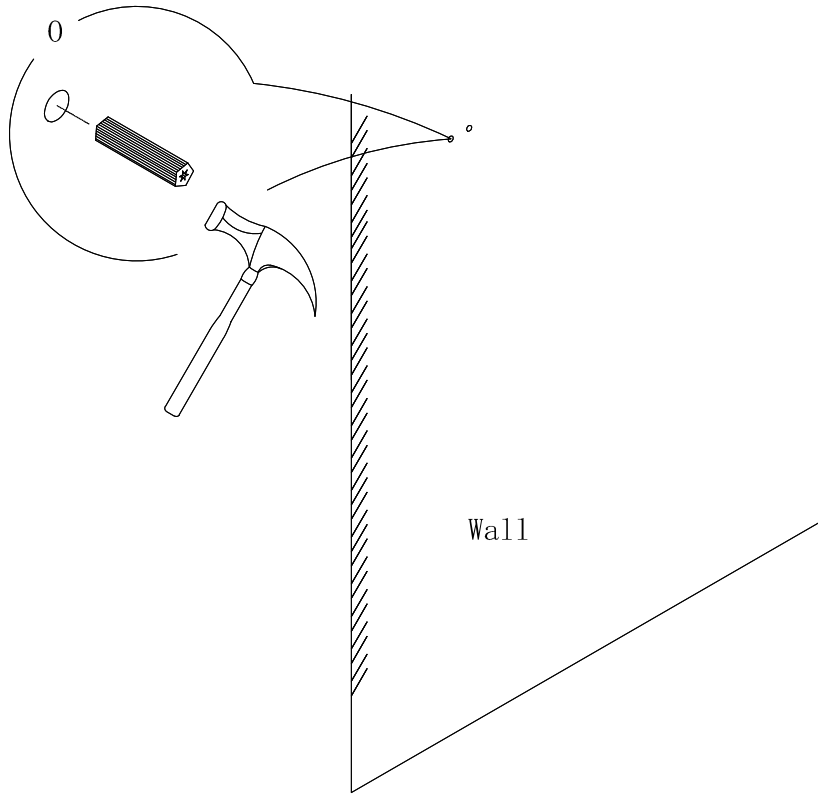




9

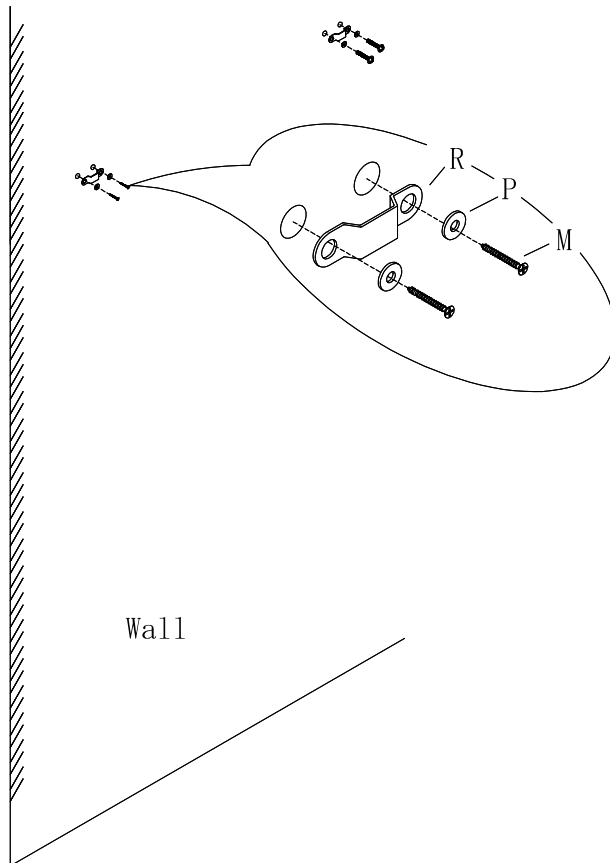
10

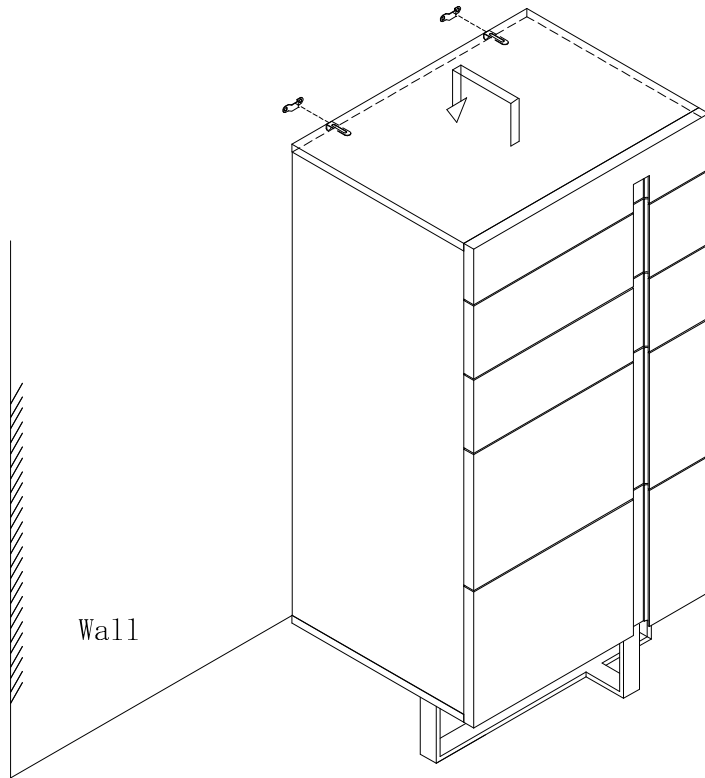




11

12





13
