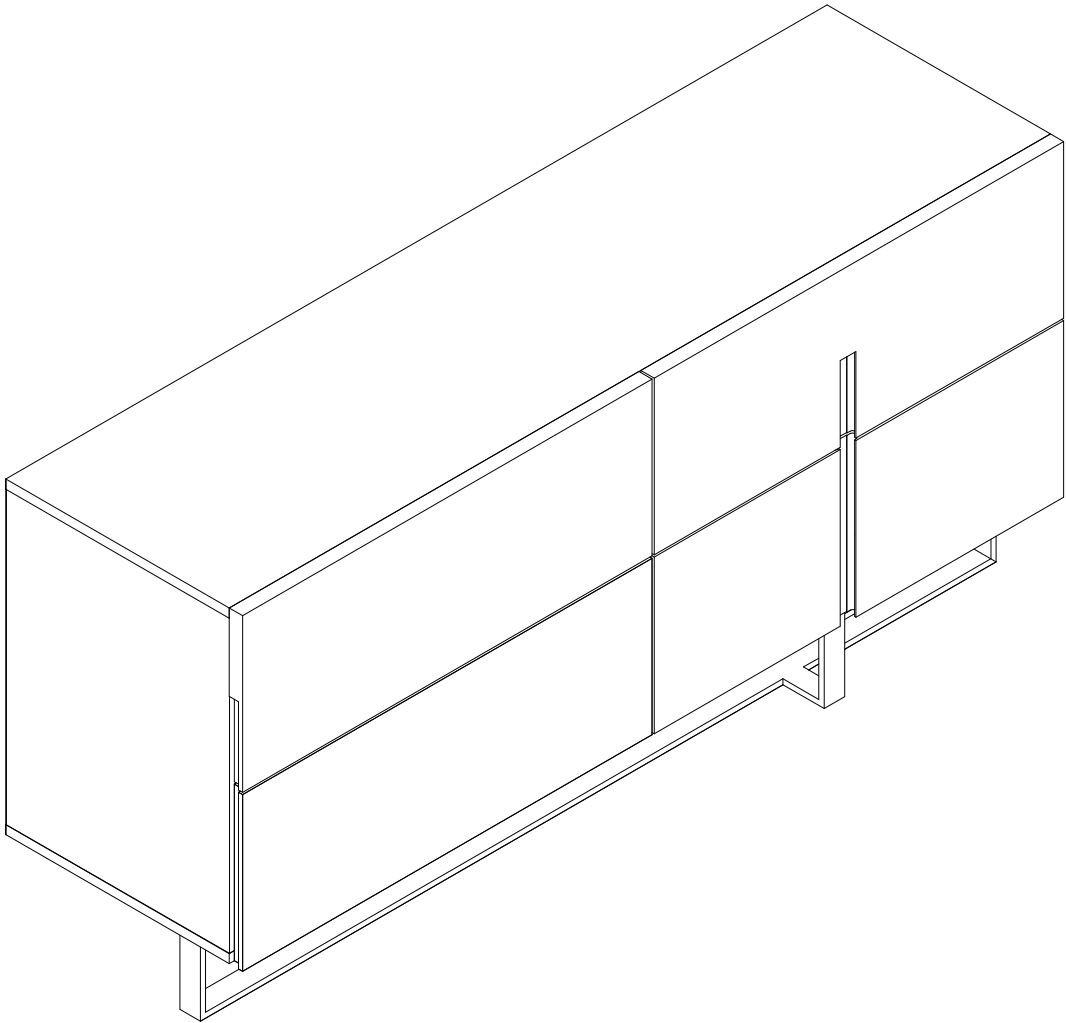
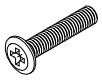
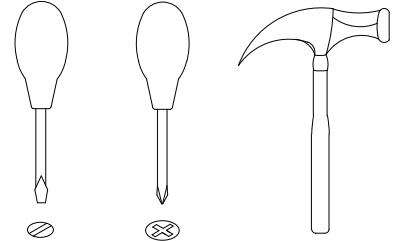
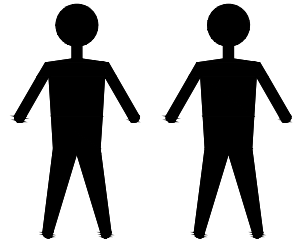




CP1302C-HA



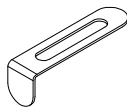
CP1302C-HA



A x9
Spec: M6*25



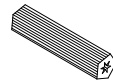
B x9
Spec: M18*8, 2*2



C x2
Spec:



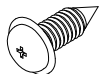
D x4
Spec: ϕ 3.5*L32



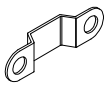
E x4
Spec:



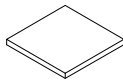
F x6
Spec: 10*4*1



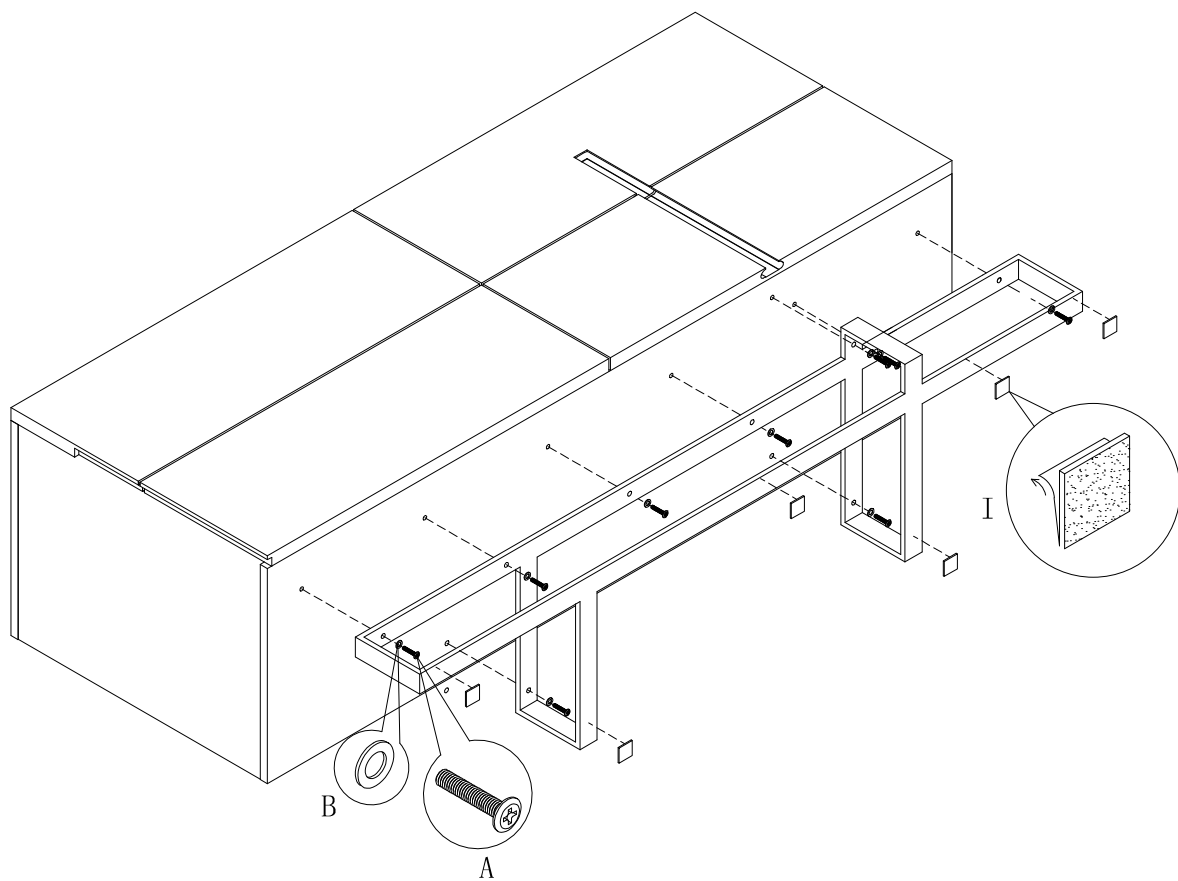
G x2
Spec: ϕ 4*L16



H x2
Spec:

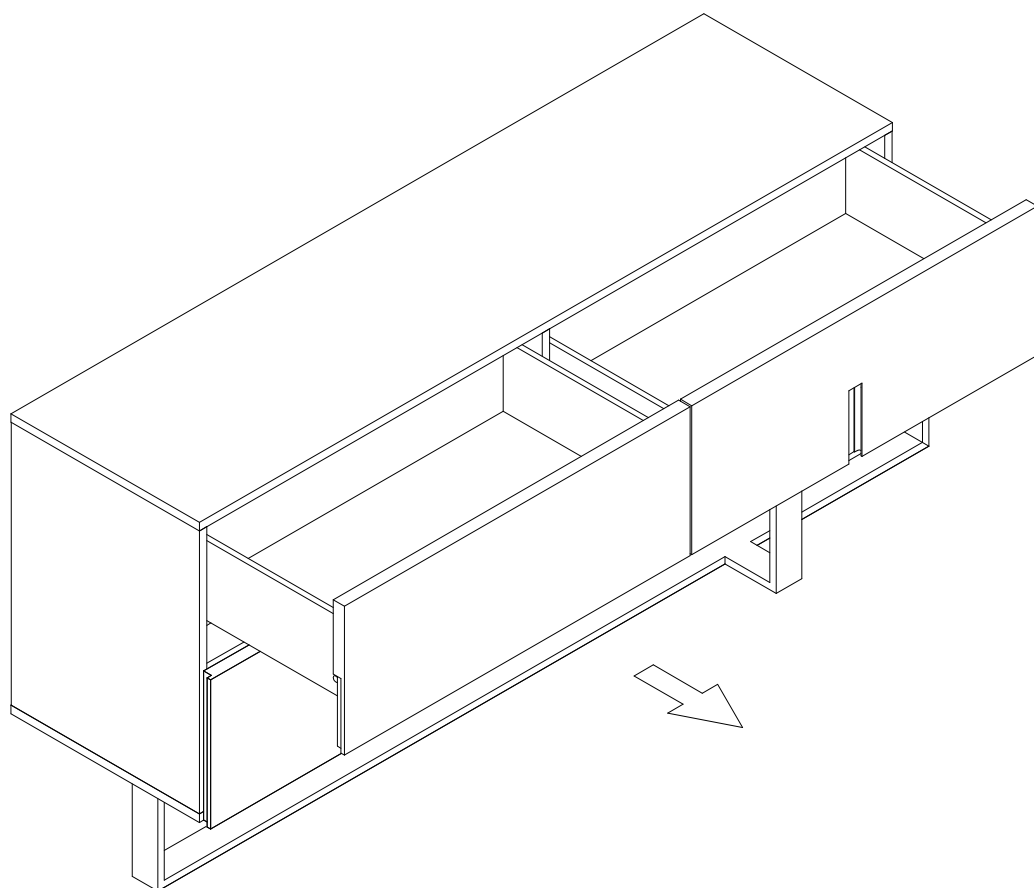


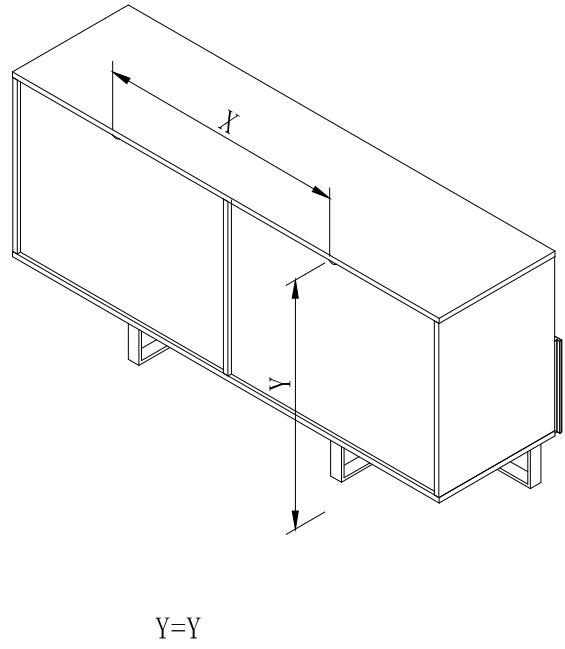
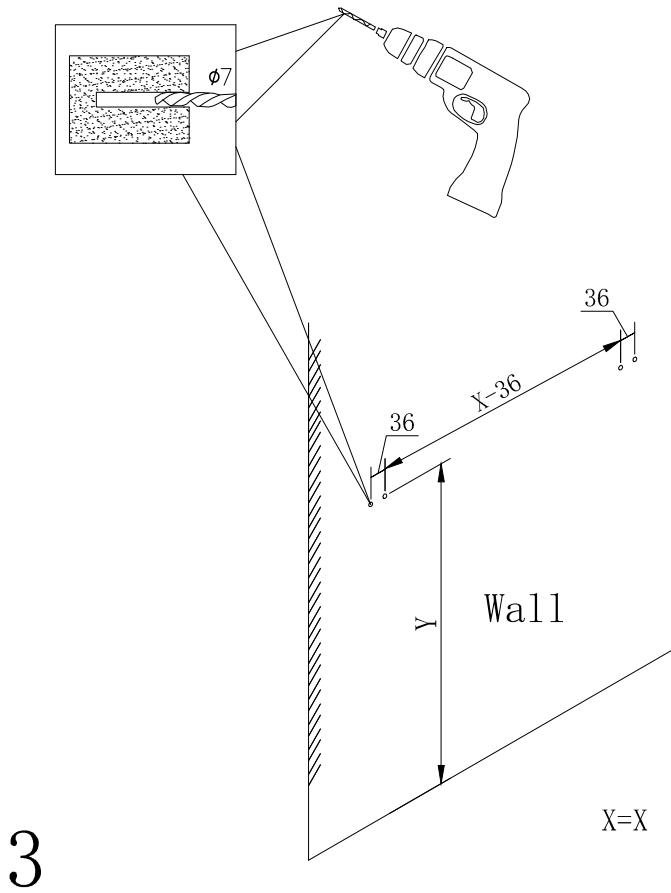
I x6
Spec: 38*38



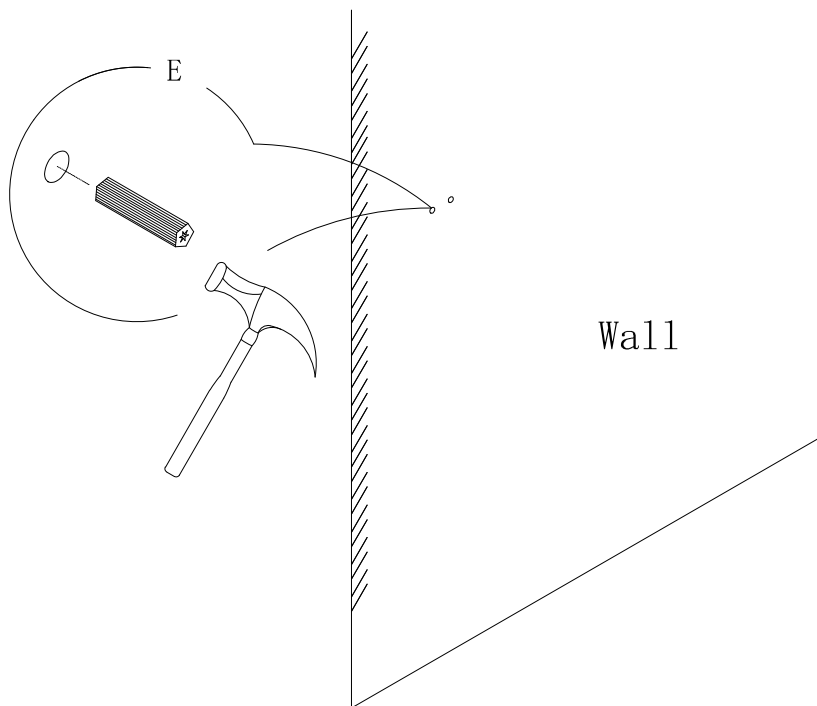
1

2

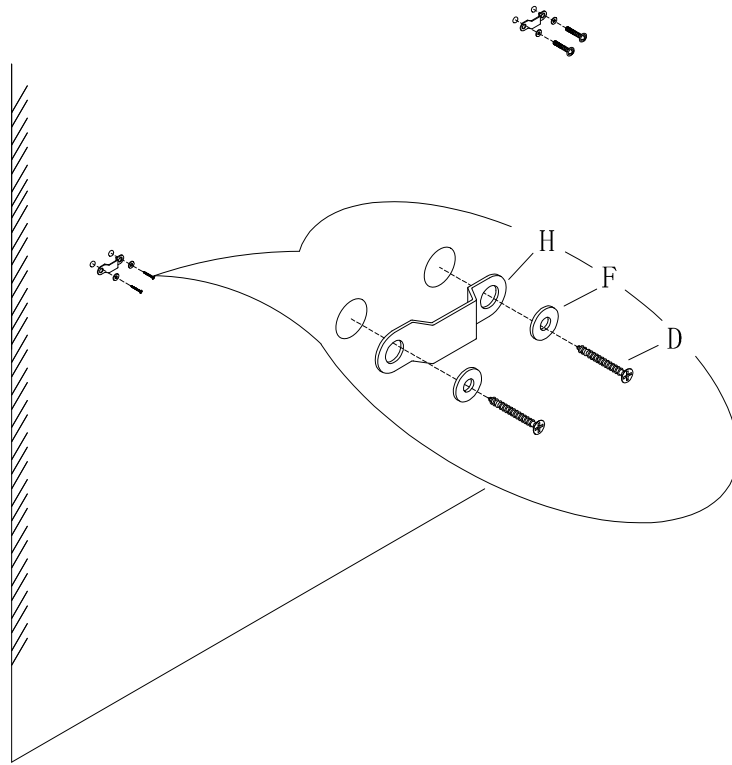




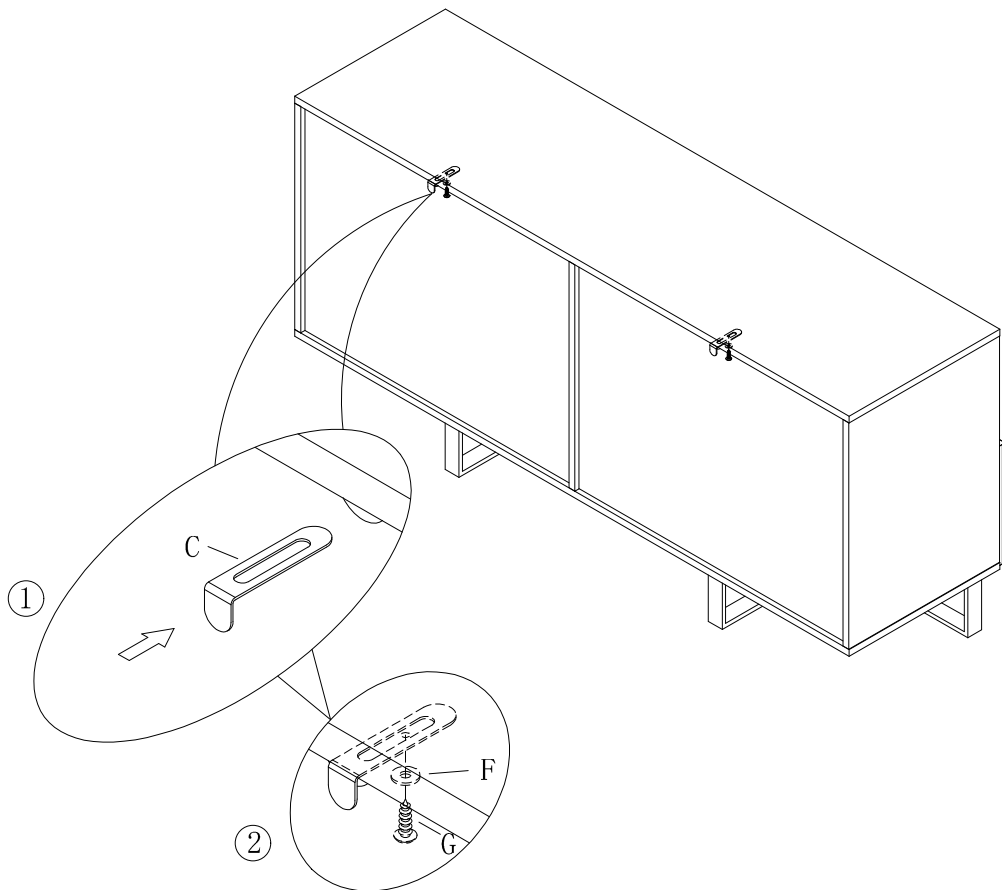
4

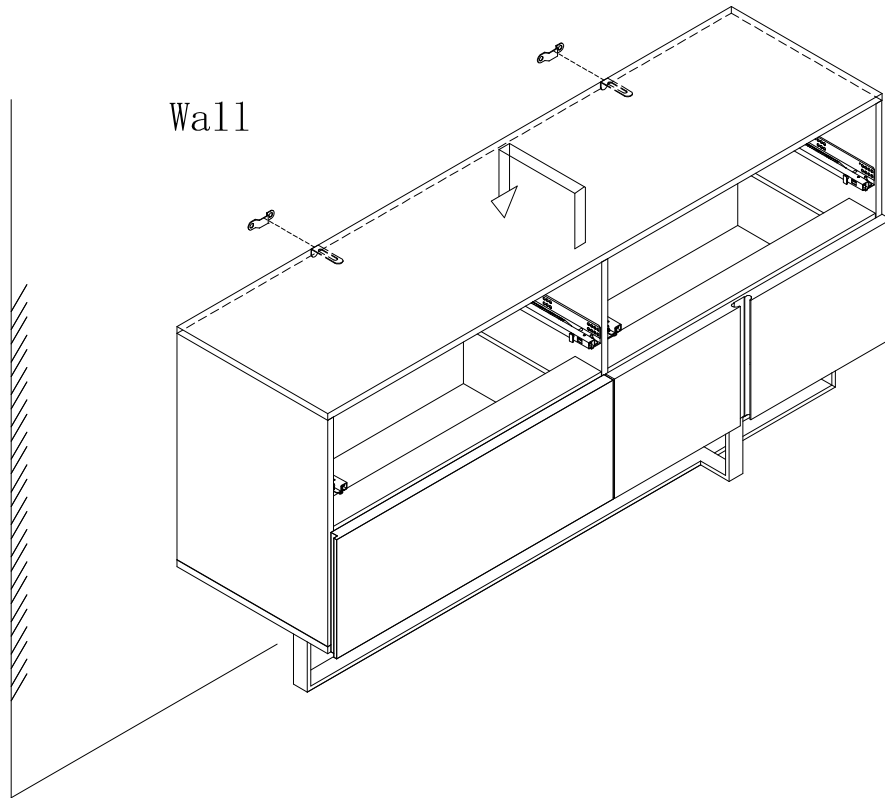


5



6





7

8

