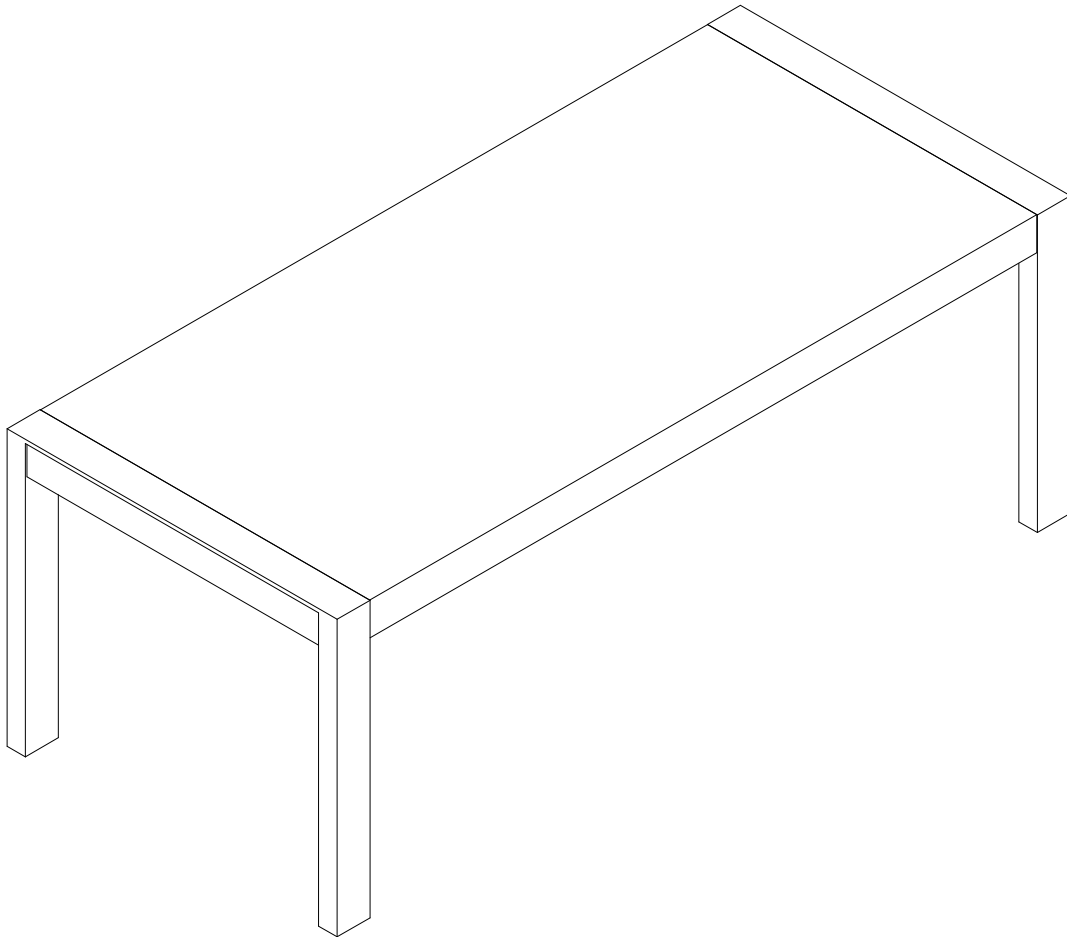
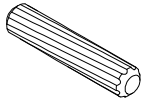
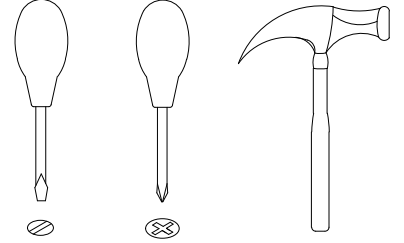
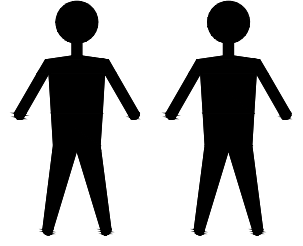




CP1302D



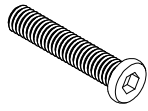
CP1302D



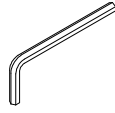
A x16
Spec: $\phi 12 \times 40$



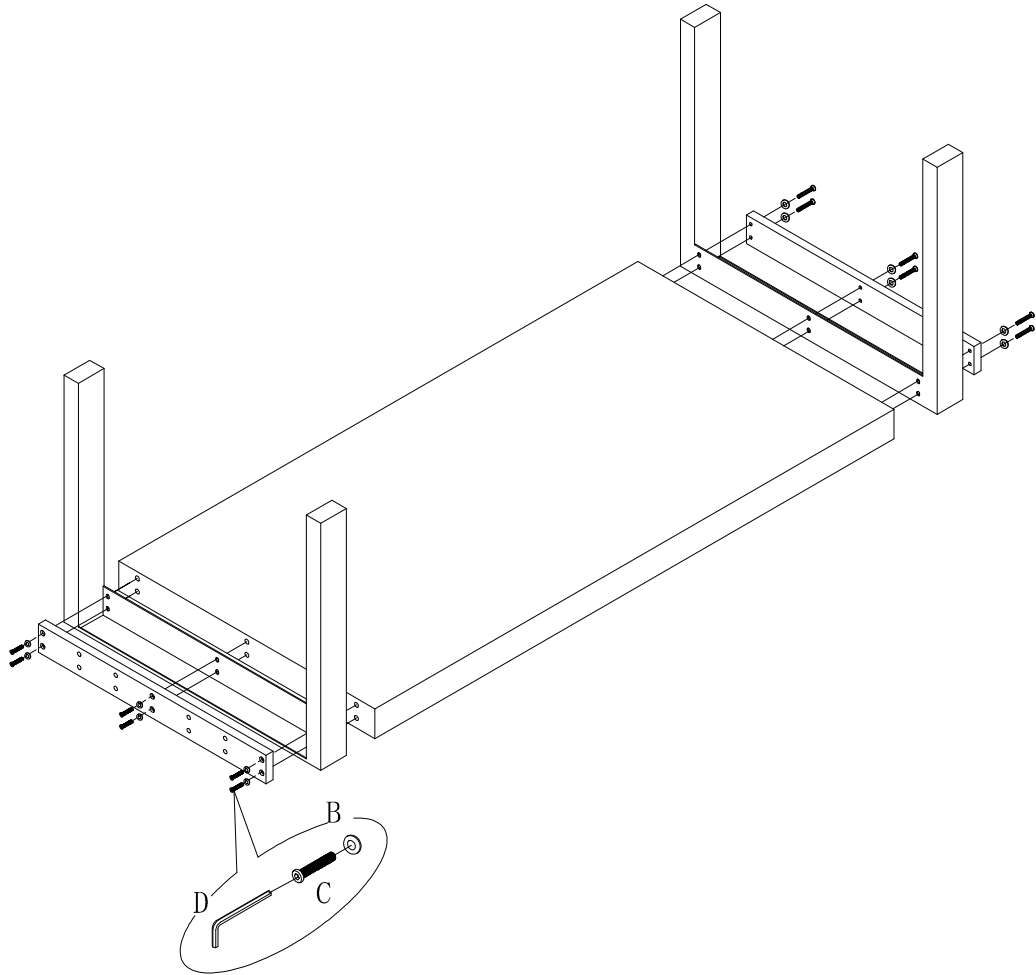
B x12
Spec: $\phi 8 \times \phi 14$



C x12
Spec: $5/16 \times L45$



D x1
Spec: 5#



2

