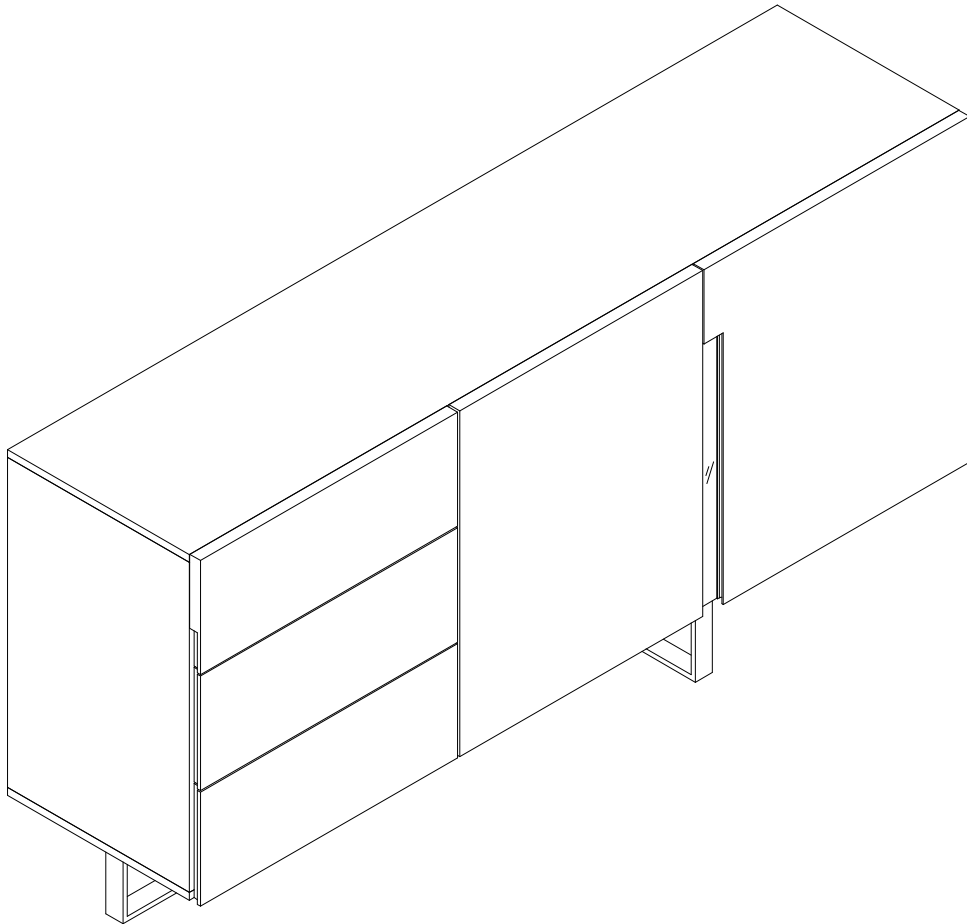


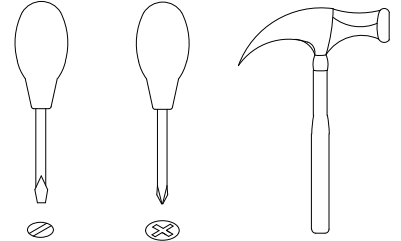
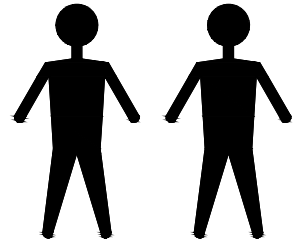
MOD  
interiors

# CP1302E

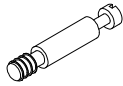


**EAC**

# # CP1302E



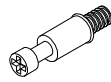
A x30  
Spec:  $\varnothing 8 \times 30$



B x30  
Spec:  $\varnothing 7 \times L30$



C x30  
Spec:  $\varnothing 15 \times H12$



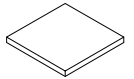
D x12  
Spec:  $\varnothing 6 \times L28$



E x12  
Spec:  $\varnothing 12 \times H9$



F x12  
Spec:  $\varnothing 6 \times 30$



G x6  
Spec:  $38 \times 38$



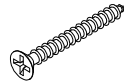
H x9  
Spec:  $M6 \times 25$



I x9  
Spec:  $\varnothing 8 \times \varnothing 18$



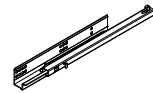
J x42  
Spec:



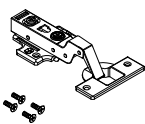
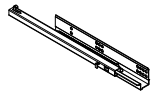
K x12  
Spec:  $\varnothing 3.5 \times L35$



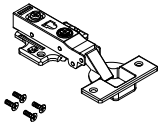
L x18  
Spec:  $\varnothing 6 \times L9$



M x3  
Spec: L350



N x3  
Spec:



O x3  
Spec:



P x8  
Spec:  $\varnothing 5 \times L19$



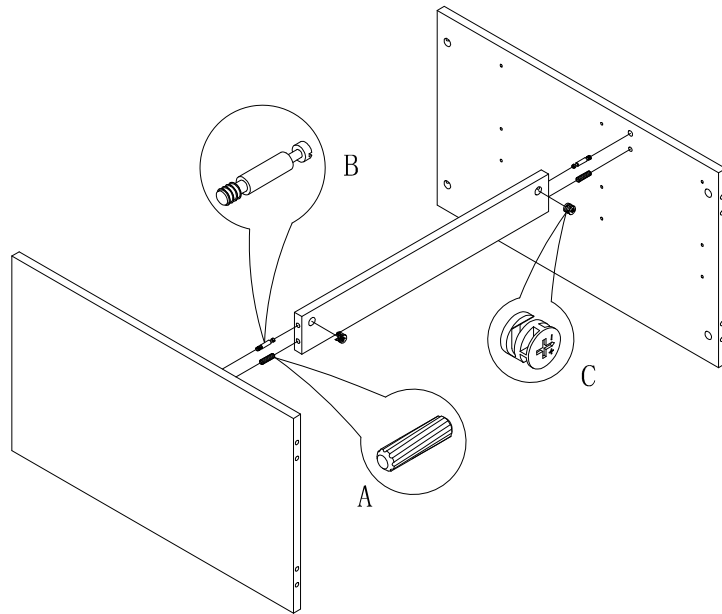
Q x8  
Spec:  $\varnothing 20 \times H12$



R x12  
Spec:  $3.8 \times L16$

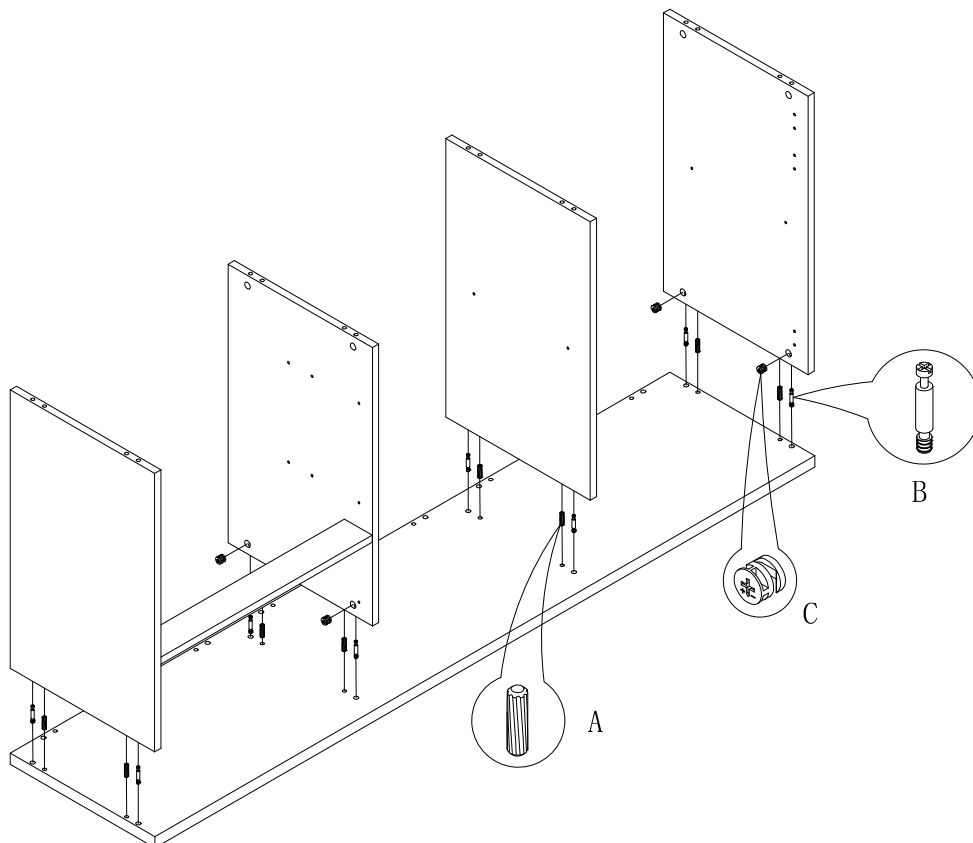


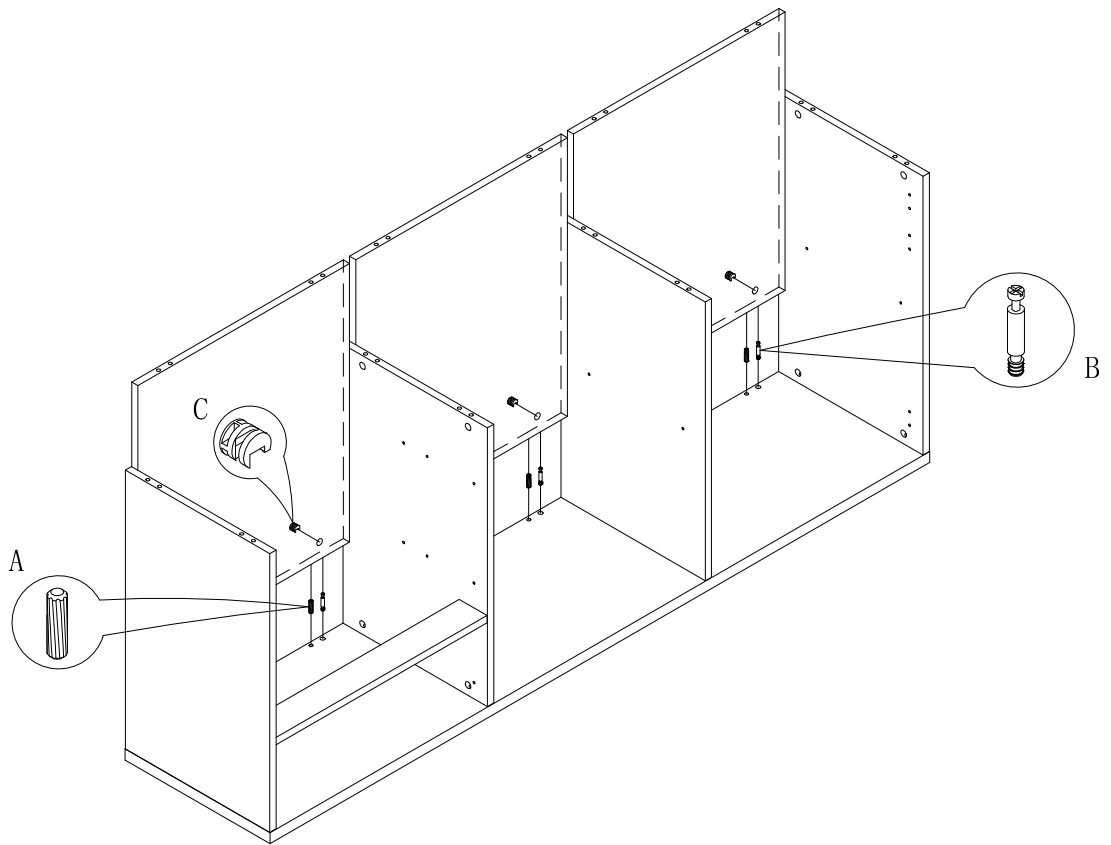
AAA x12  
Spec:  $\varnothing 3.8 \times L12$



1

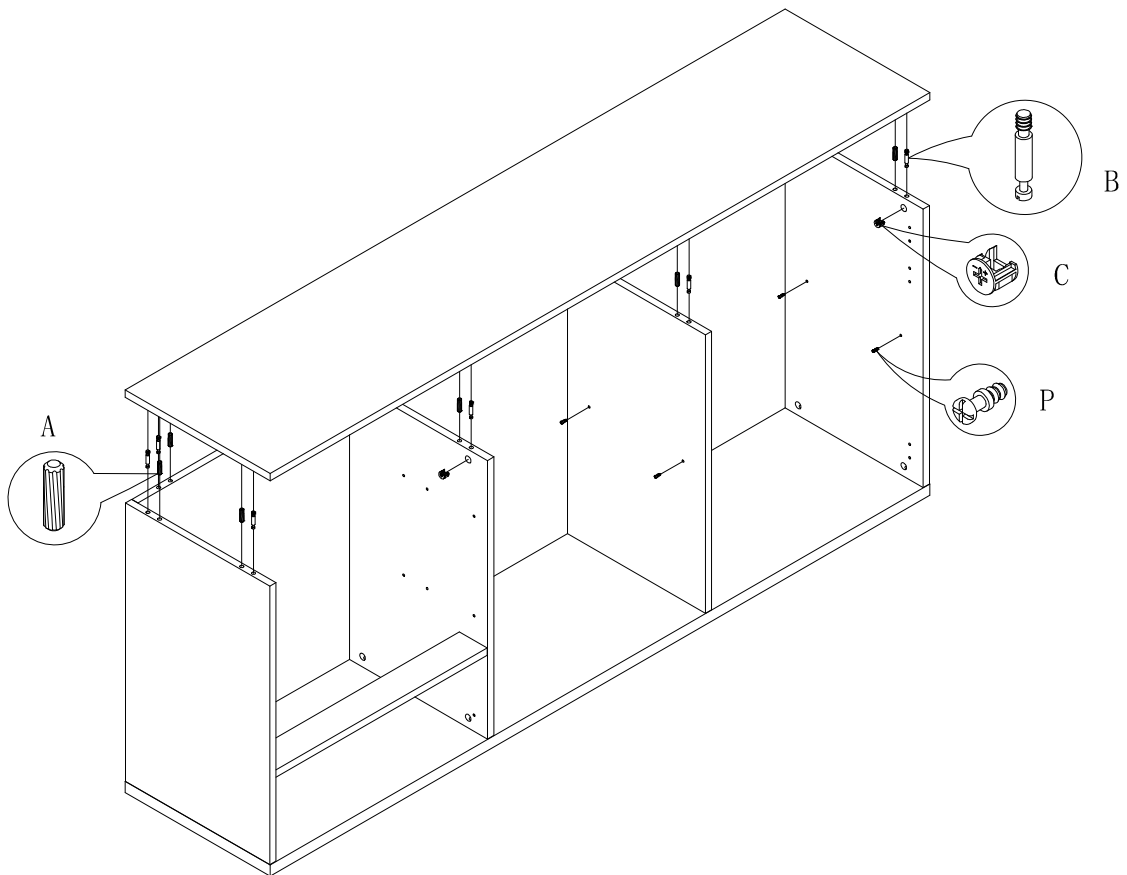
2

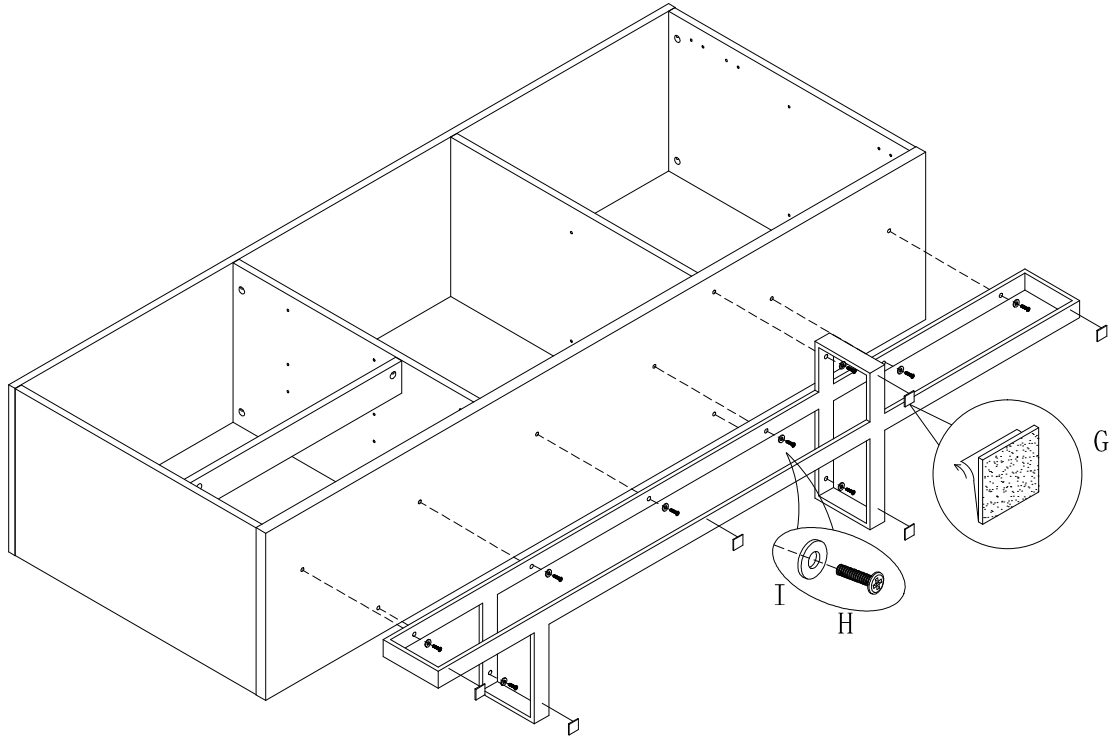




3

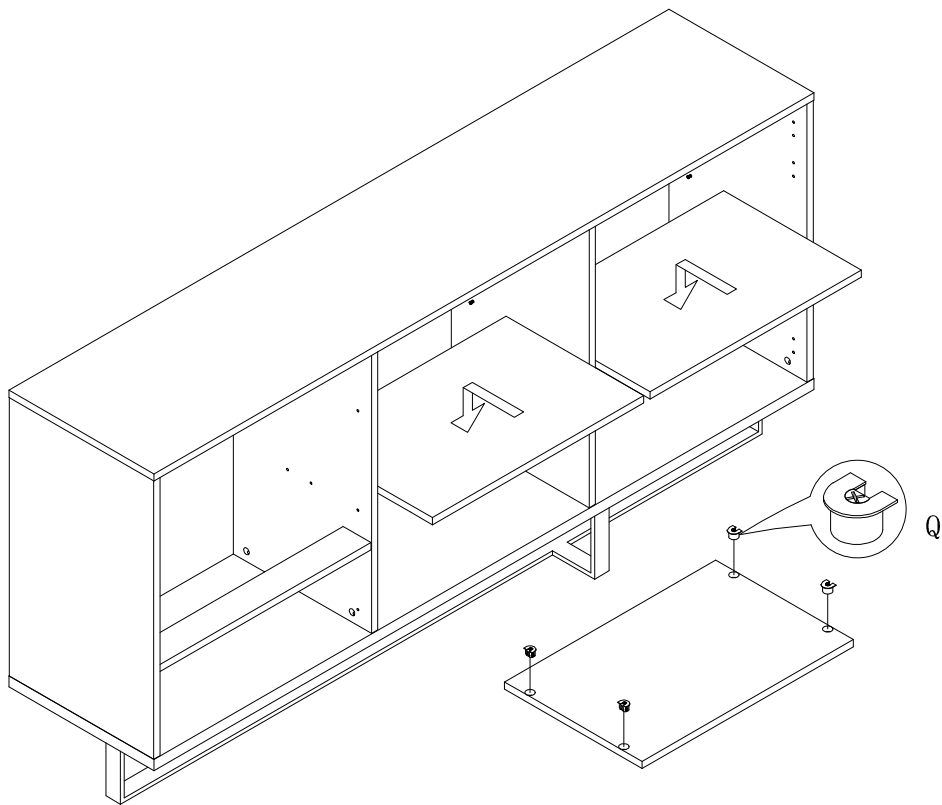
4

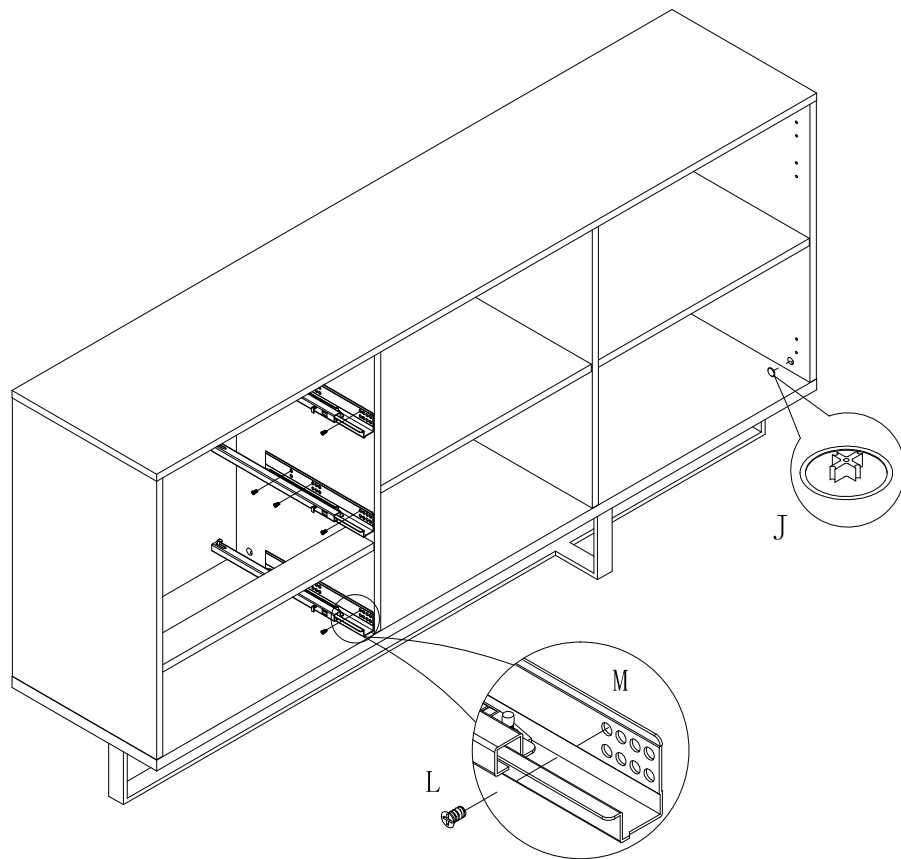




5

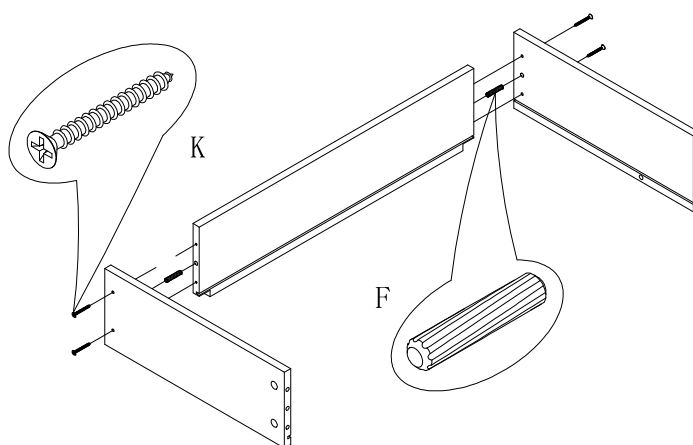
6

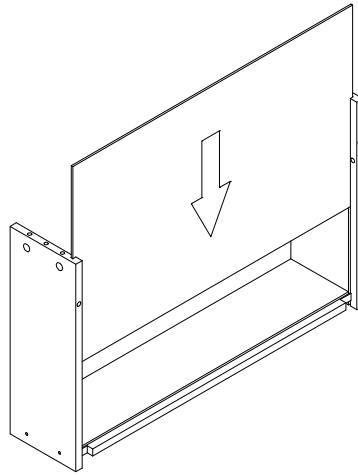




7

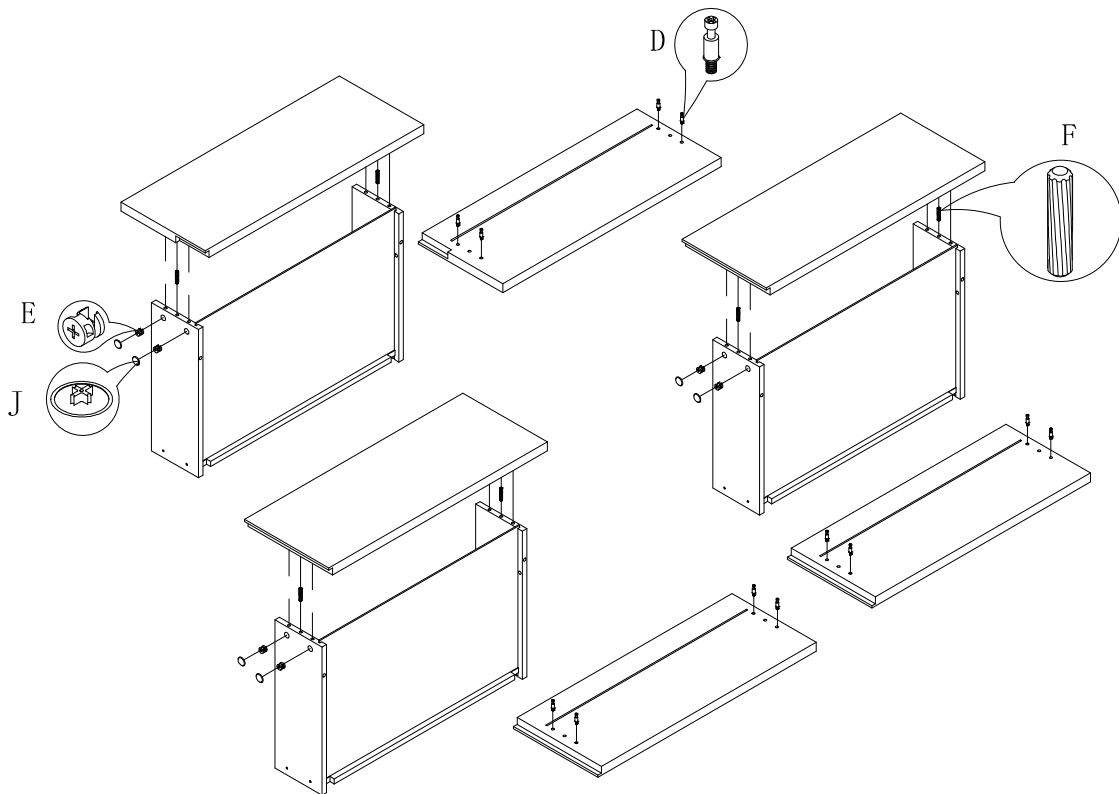
8

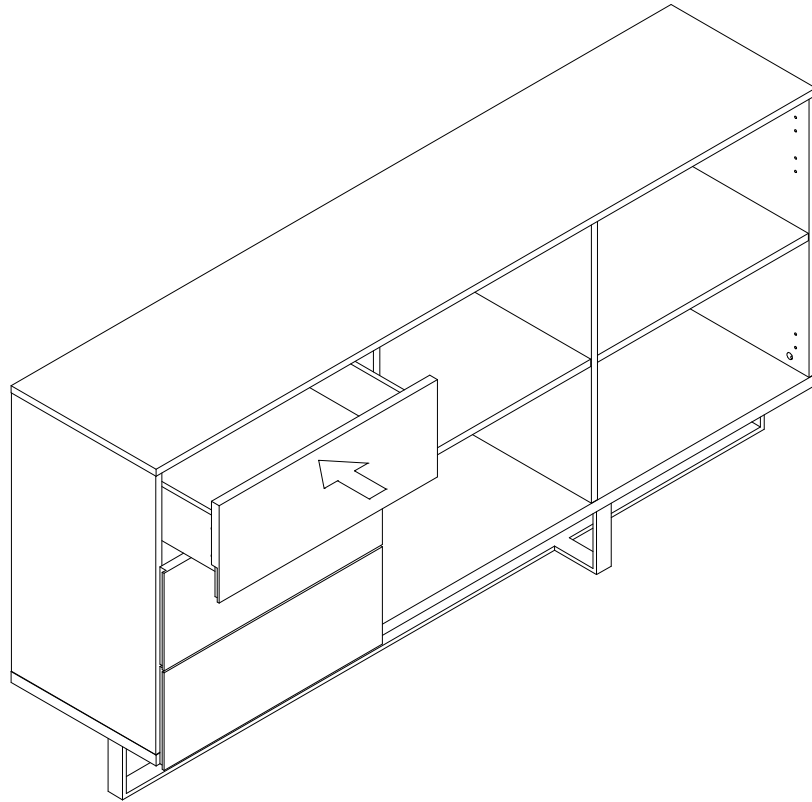




9

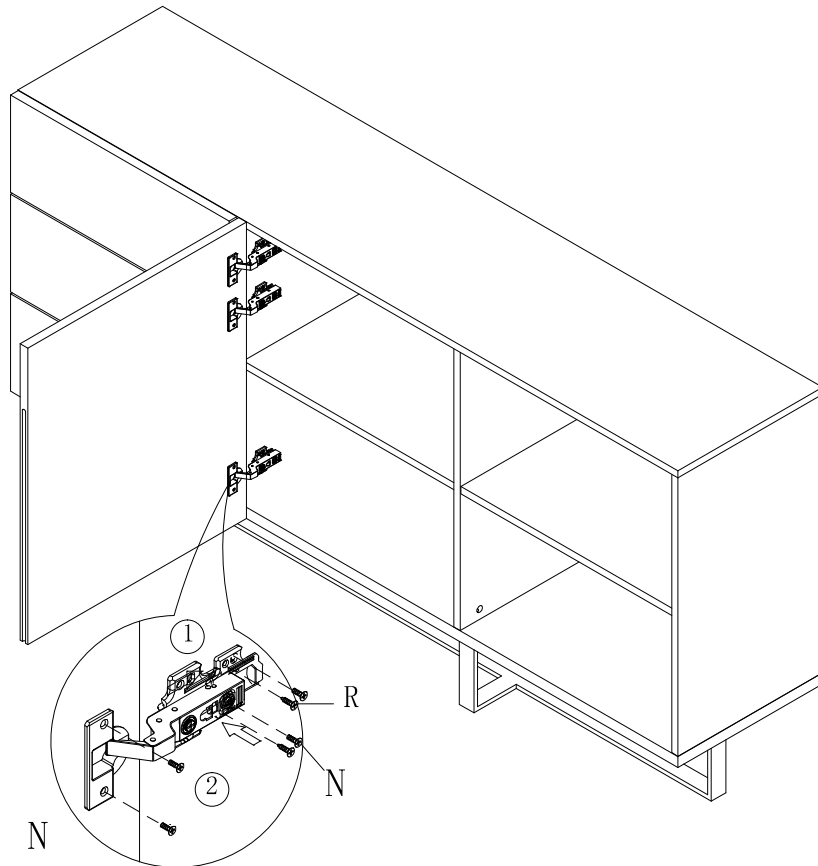
10



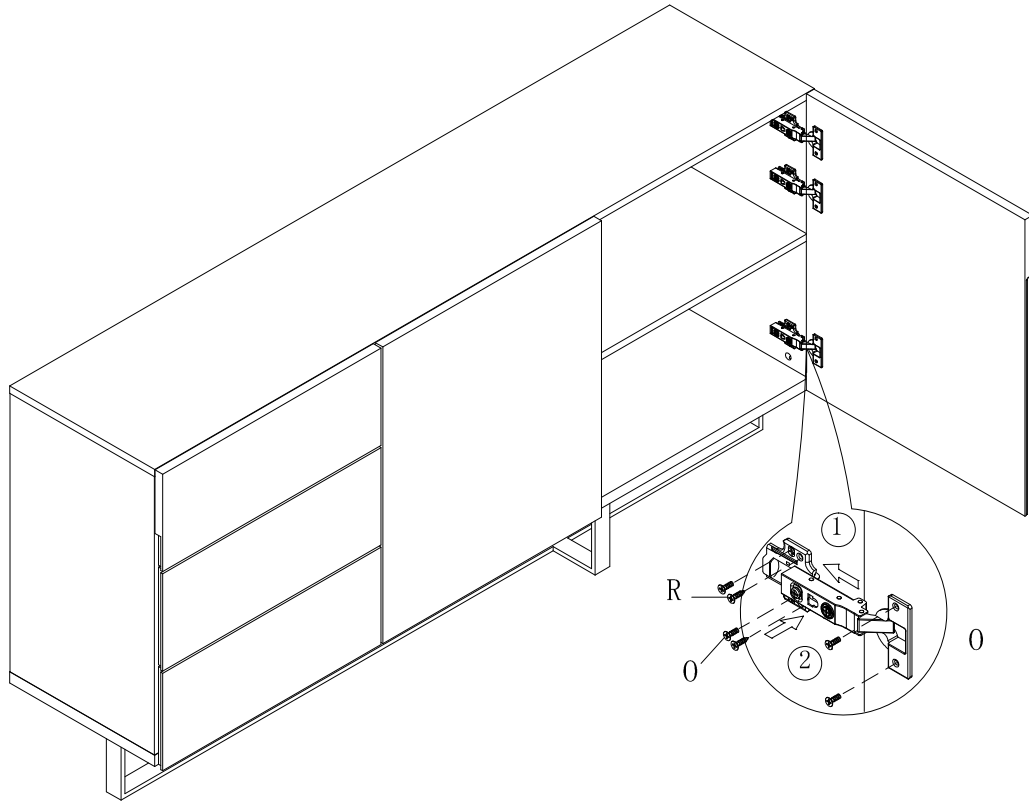


11

12







13

---