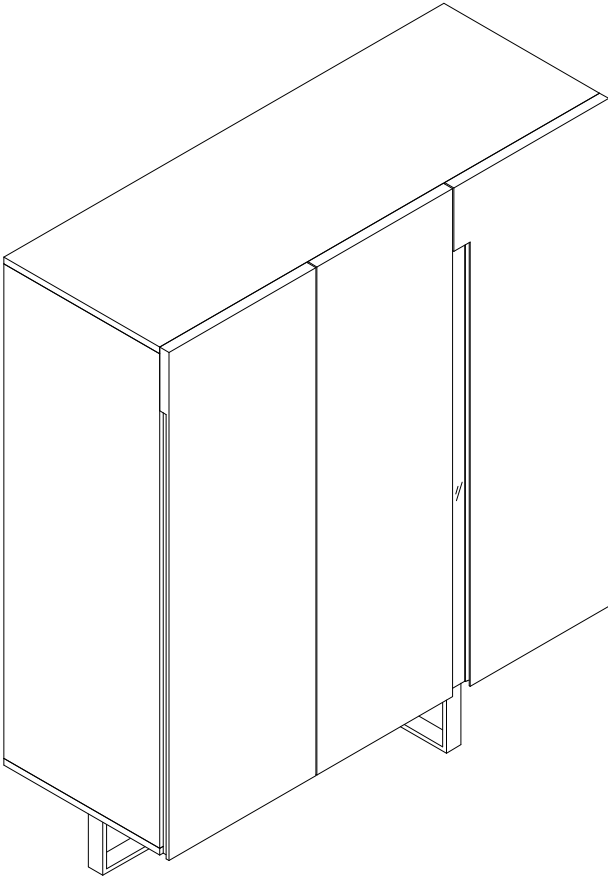
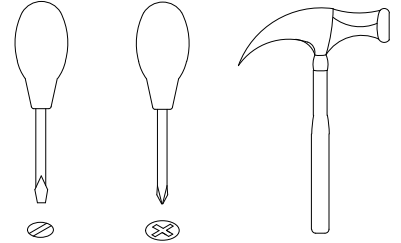
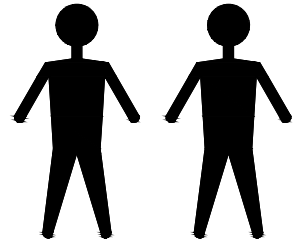


MOD
interiors

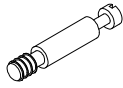
CP1302F



CP1302F



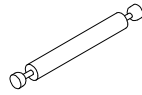
A x26
Spec: $\varnothing 8 \times 30$



B x19
Spec: $\varnothing 7 \times L30$



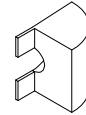
C x21
Spec: $\varnothing 15 \times H12$



D x1
Spec: $\varnothing 7 \times L66$



E x12
Spec: $\varnothing 3.5 \times L16$



F x12
Spec: H13



G x21
Spec:



H x7
Spec: M6*25



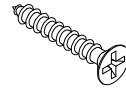
I x7
Spec: $\varnothing 8 \times \varnothing 18$



J x6
Spec: 38*38mm



K x10
Spec:



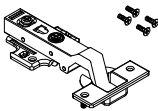
L x10
Spec: $\varnothing 3.8 \times L50$



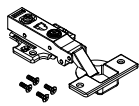
M x16
Spec: $\varnothing 5 \times L19$



N x16
Spec: $\varnothing 20 \times H12$



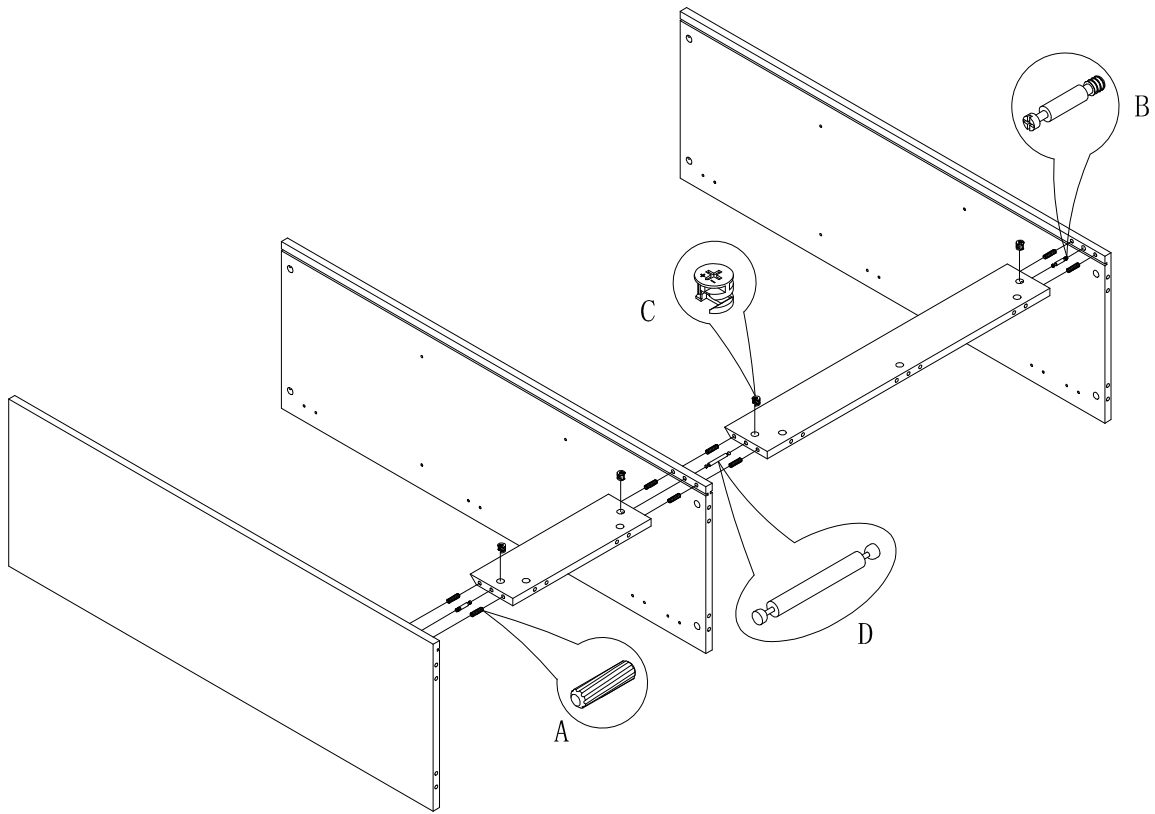
O x8
Spec:



P x4
Spec:

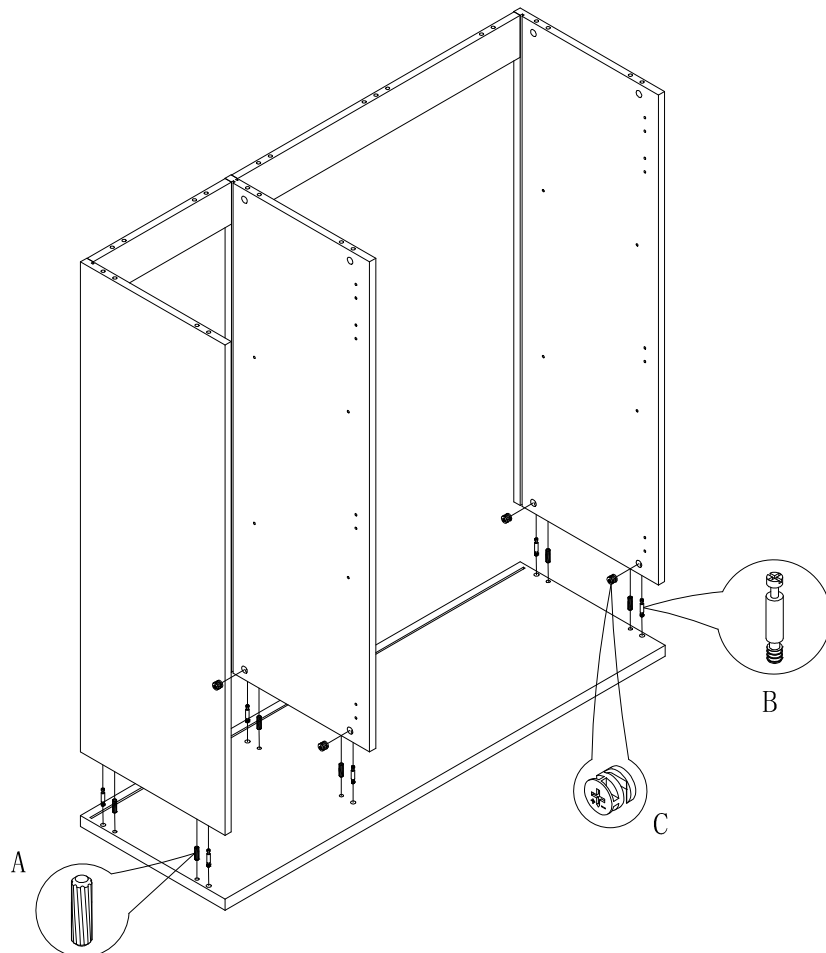


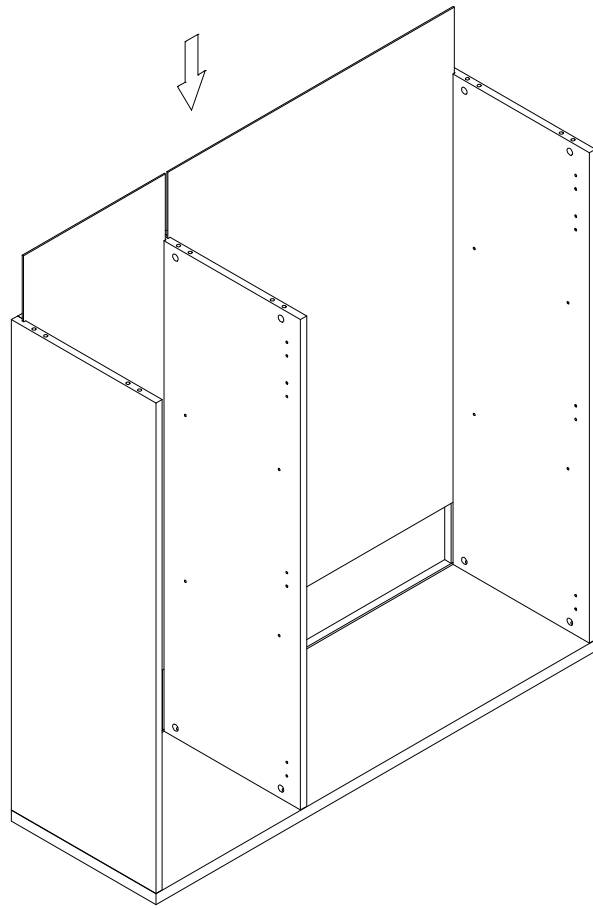
Q X24
Spec: $\varnothing 3.8 \times L16$



1

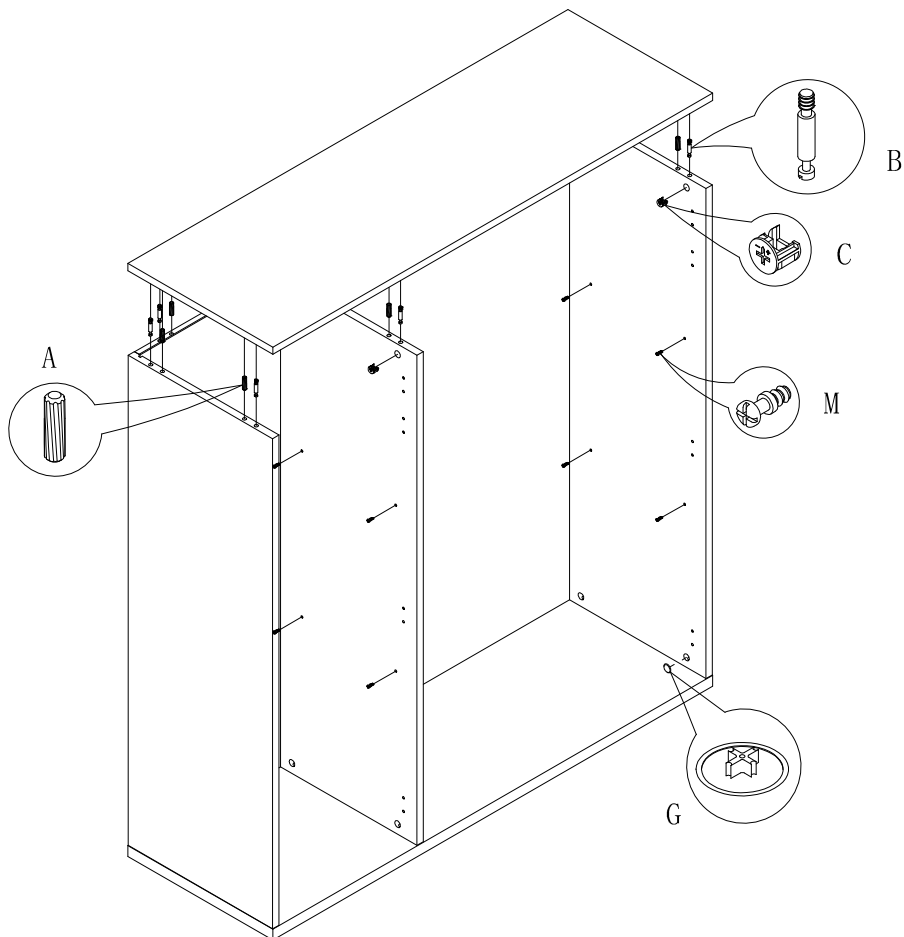
2

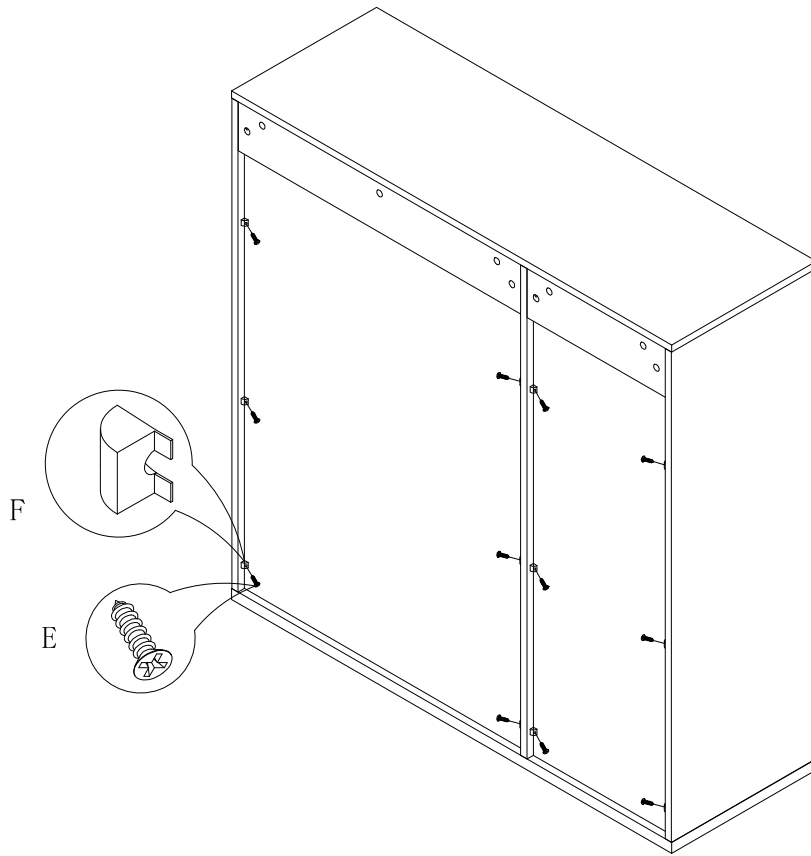




3

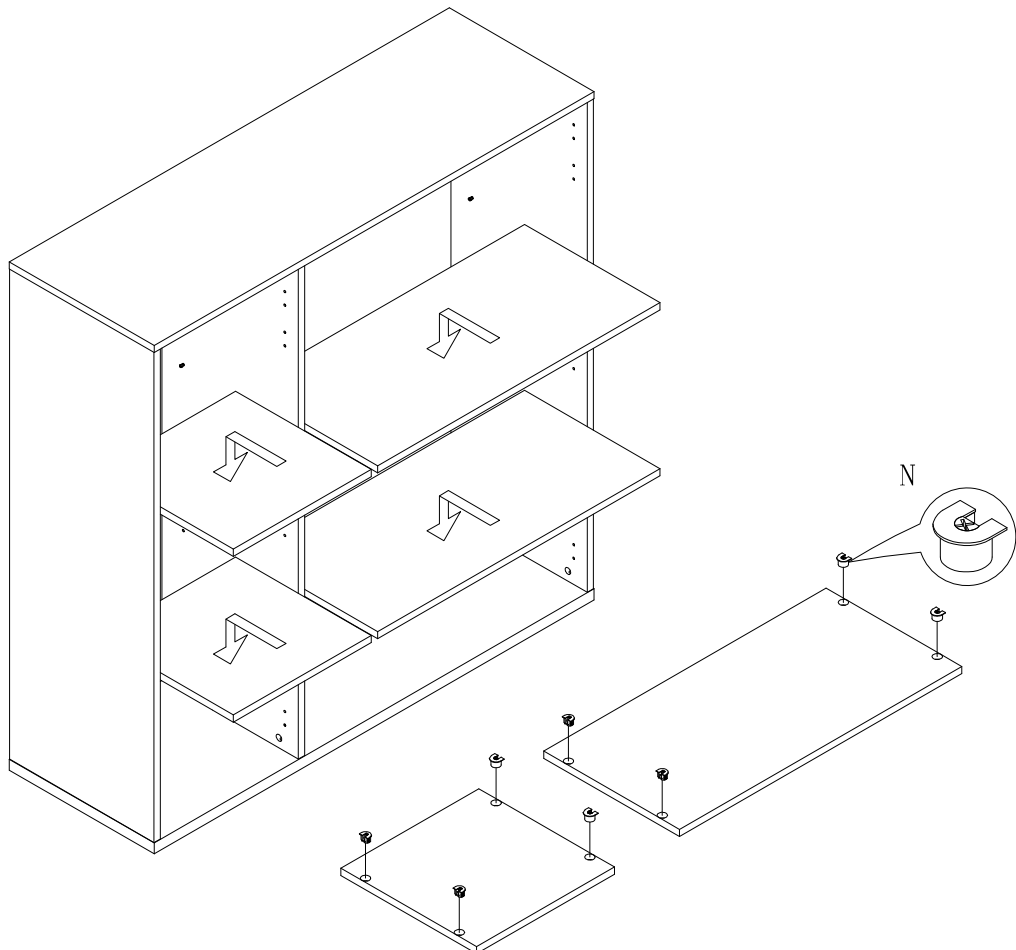
4

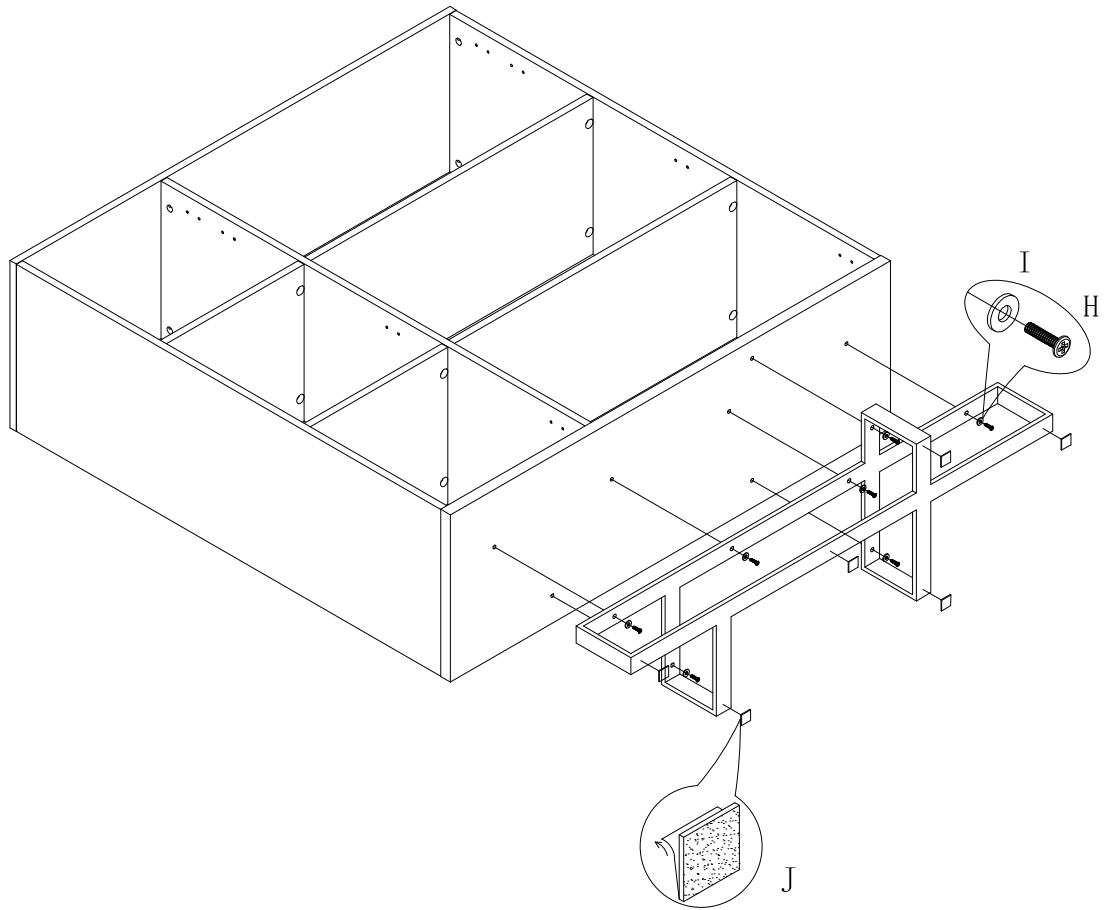




5

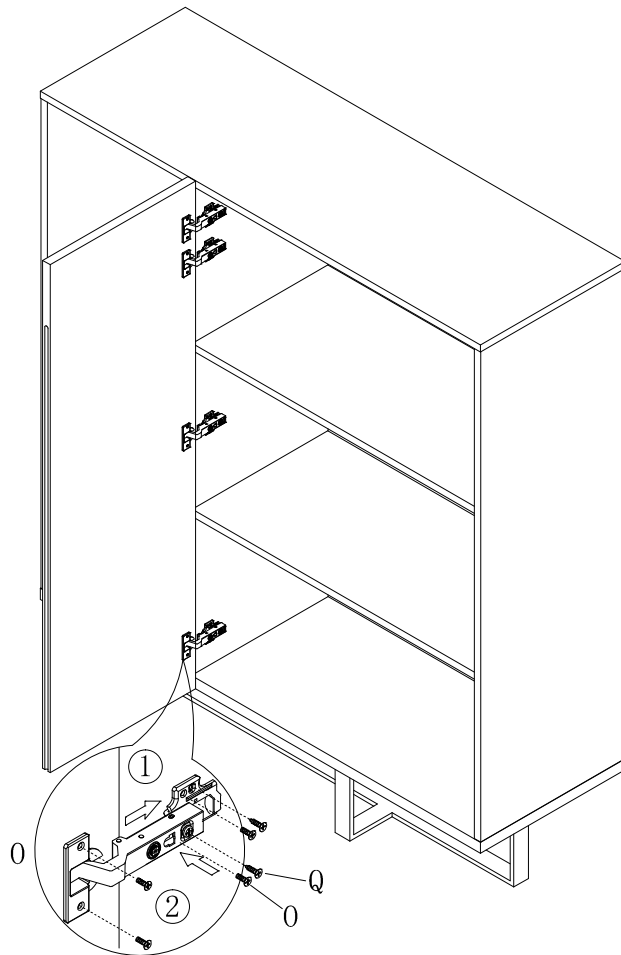
6



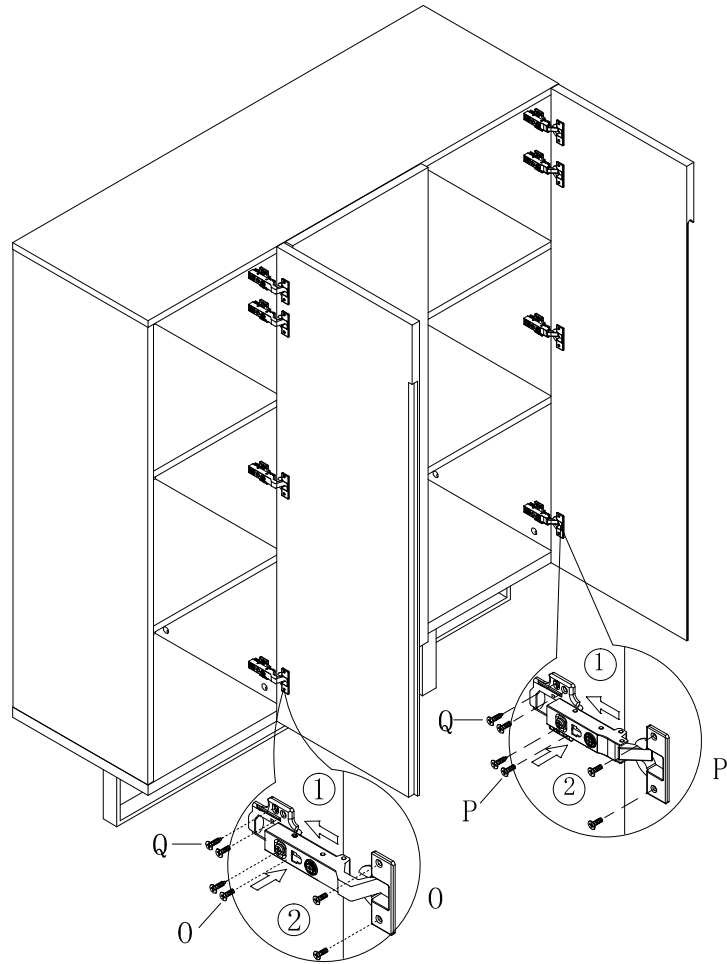


7

8



9



10

