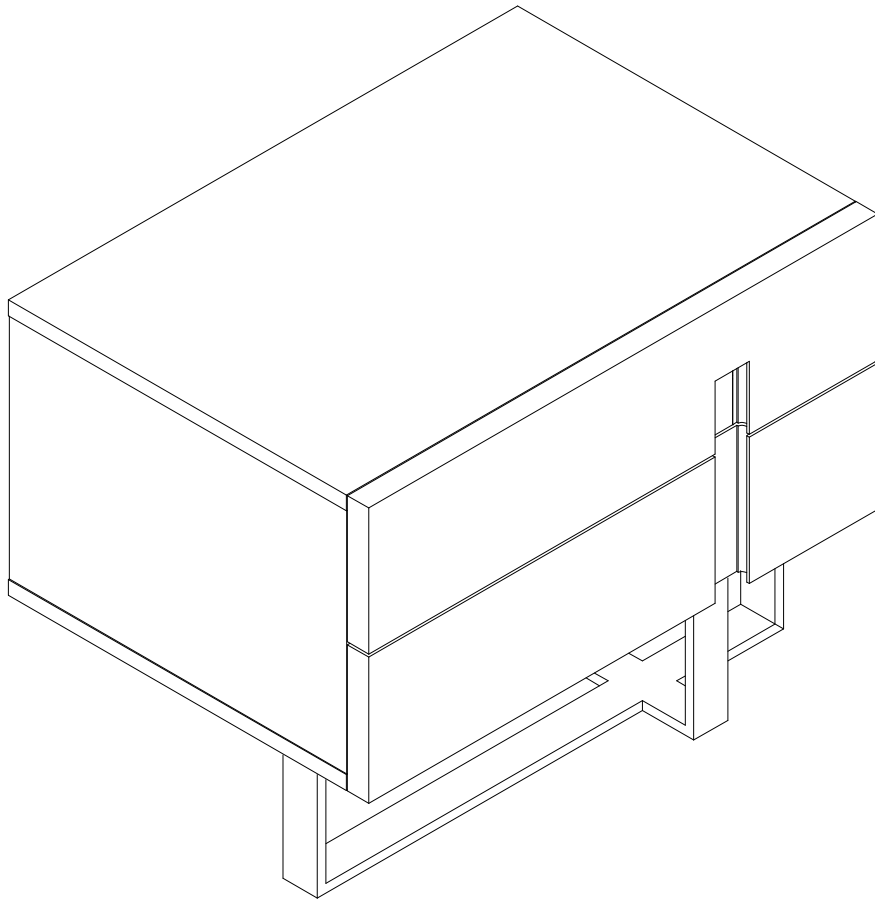


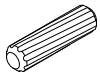
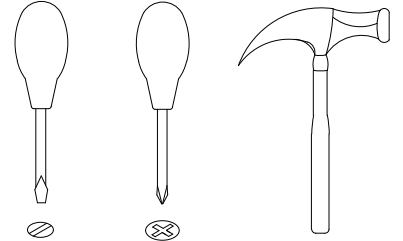
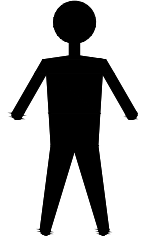


# CP1302H-V/V

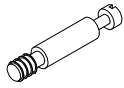


**EAC**

# # CP1302H-V/V



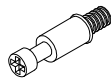
A x8  
Spec:  $\varnothing 8 \times 30$



B x8  
Spec:  $\varnothing 7 \times L30$



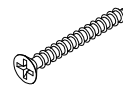
C x8  
Spec:  $\varnothing 15 \times H12$



D x8  
Spec:  $\varnothing 6 \times L28$



E x8  
Spec:  $\varnothing 12 \times H9$



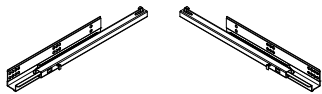
F x10  
Spec:  $\varnothing 3.5 \times L35$



G x8  
Spec:



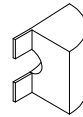
H x12  
Spec:  $\varnothing 6 \times L9$



I x2  
Spec: L350



J x4  
Spec:  $\varnothing 3.5 \times L16$



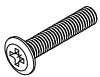
K x4  
Spec: H13



L x8  
Spec:



AAA x8  
Spec:  $\varnothing 3.8 \times L12$



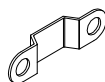
M x5  
Spec: M6\*25



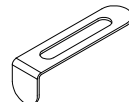
N x5  
Spec: M18\*8.2\*2



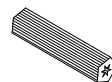
O x4  
Spec: 38\*38



P x1  
Spec:



Q x1  
Spec:



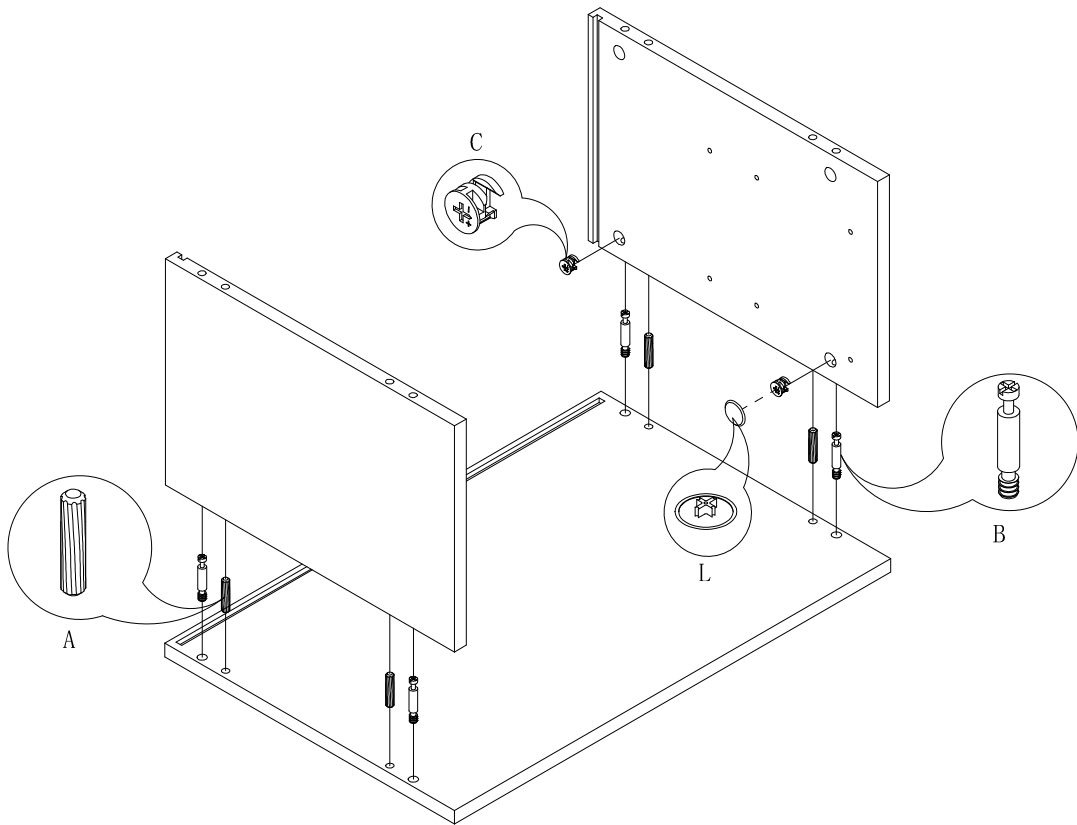
R x2  
Spec:



S x3  
Spec: 10\*4\*1



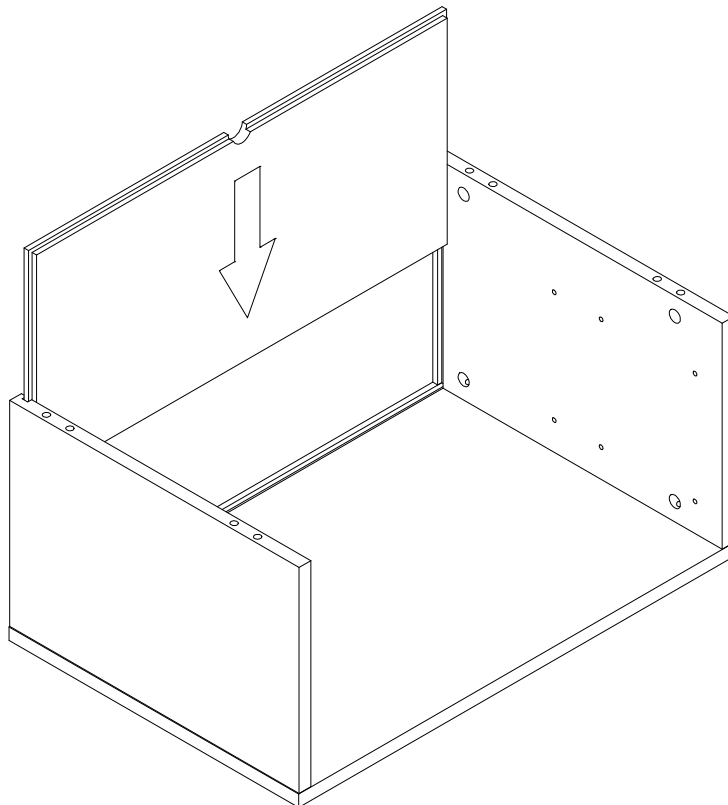
T x1  
Spec:  $\varnothing 4 \times L16$

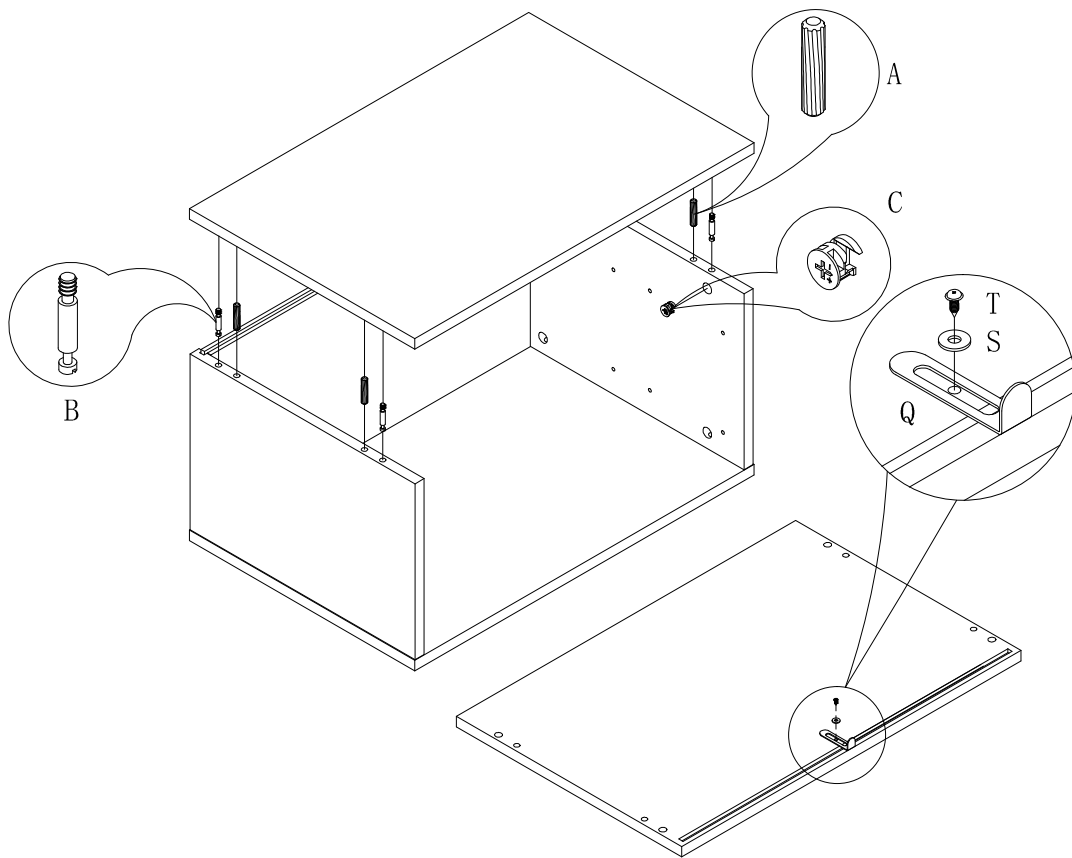


1

---

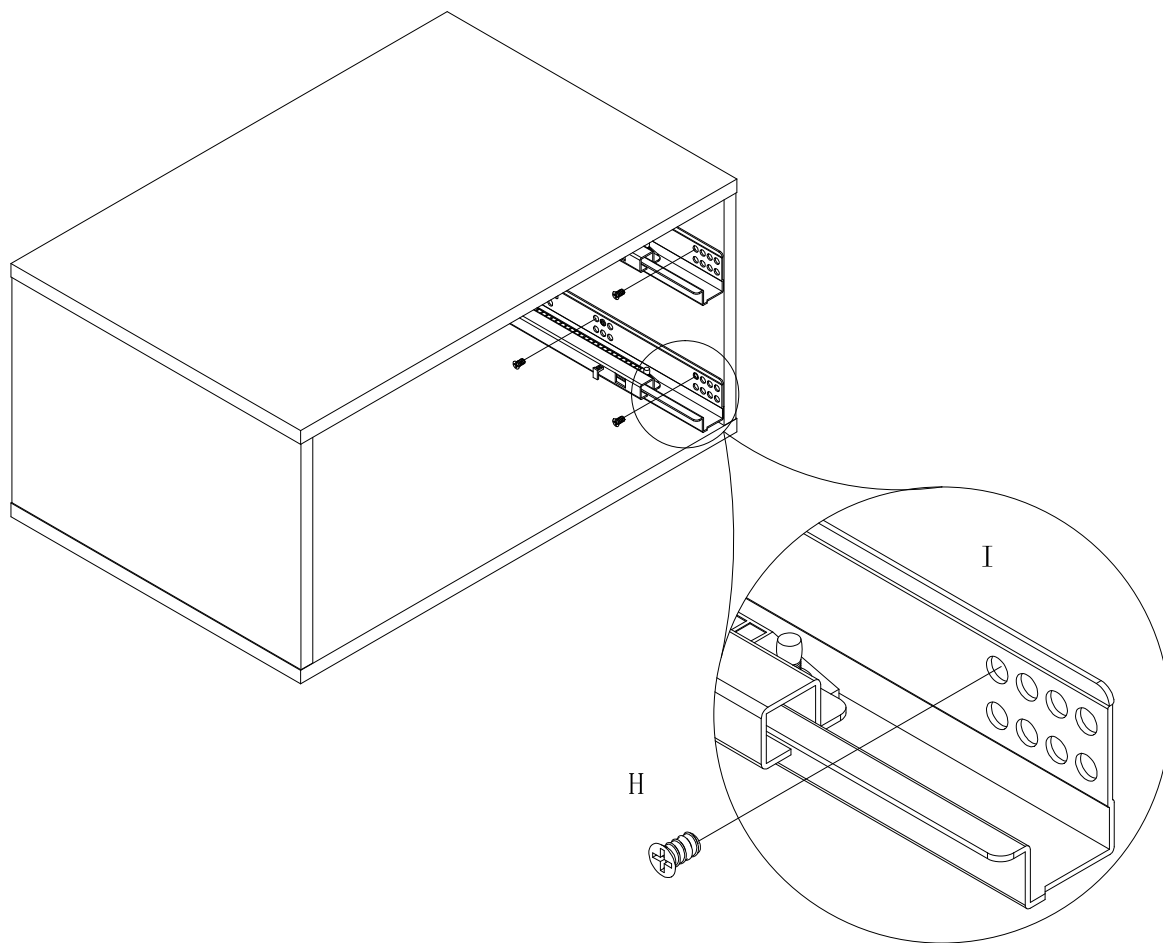
2

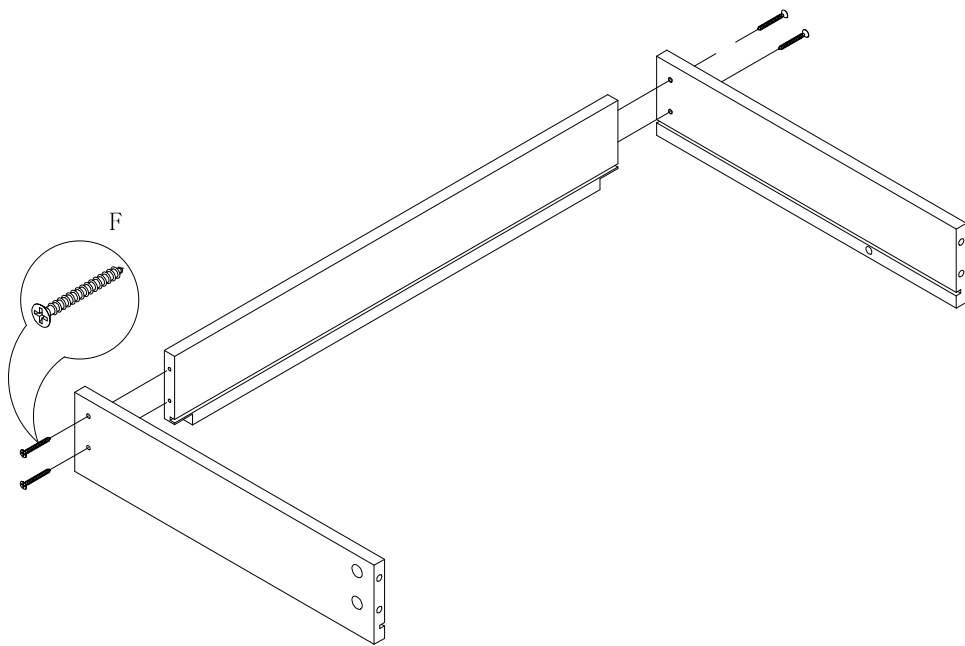




3

4

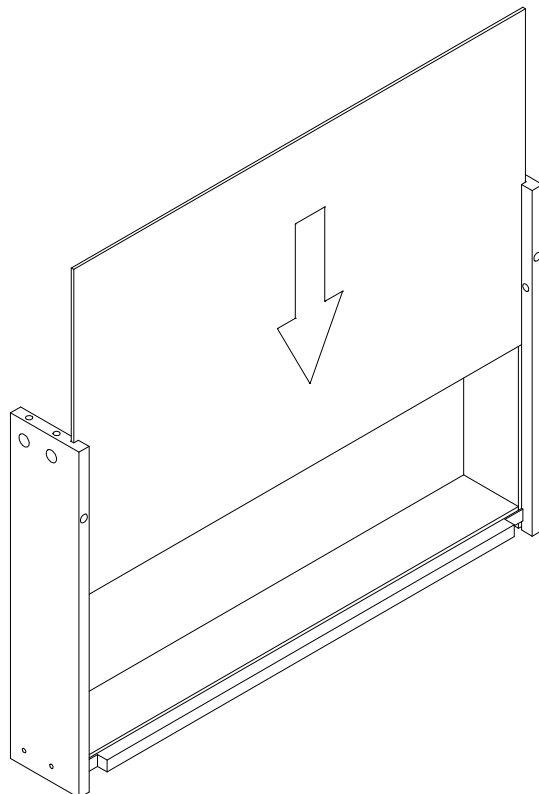


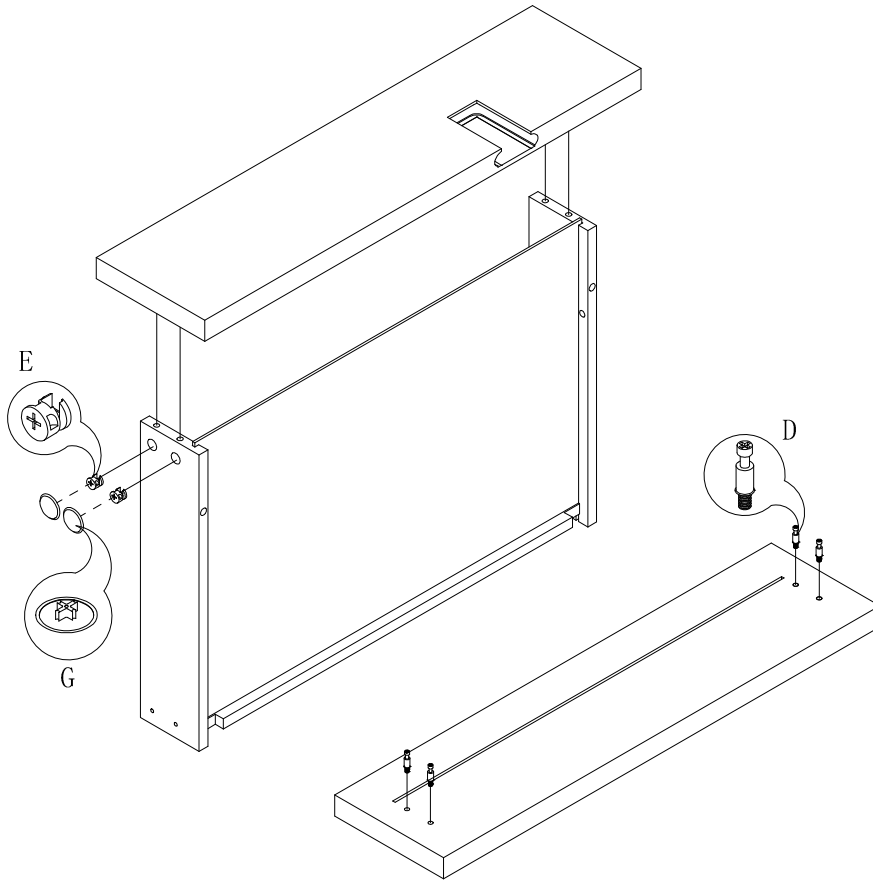


5

---

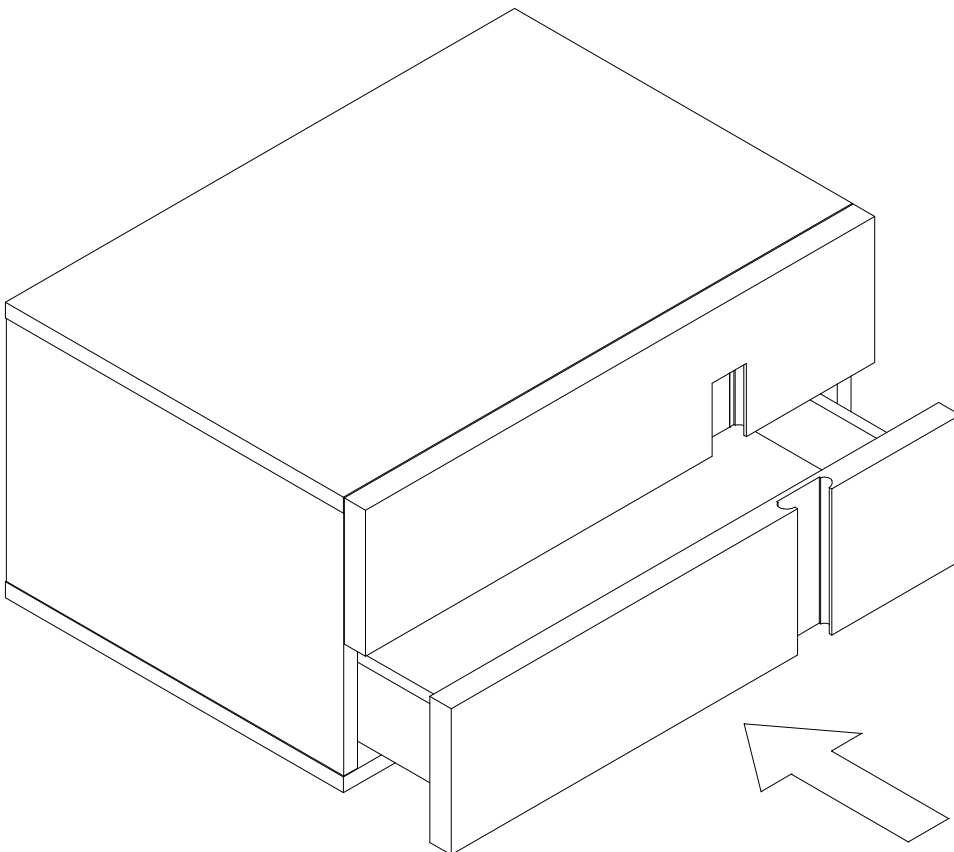
6

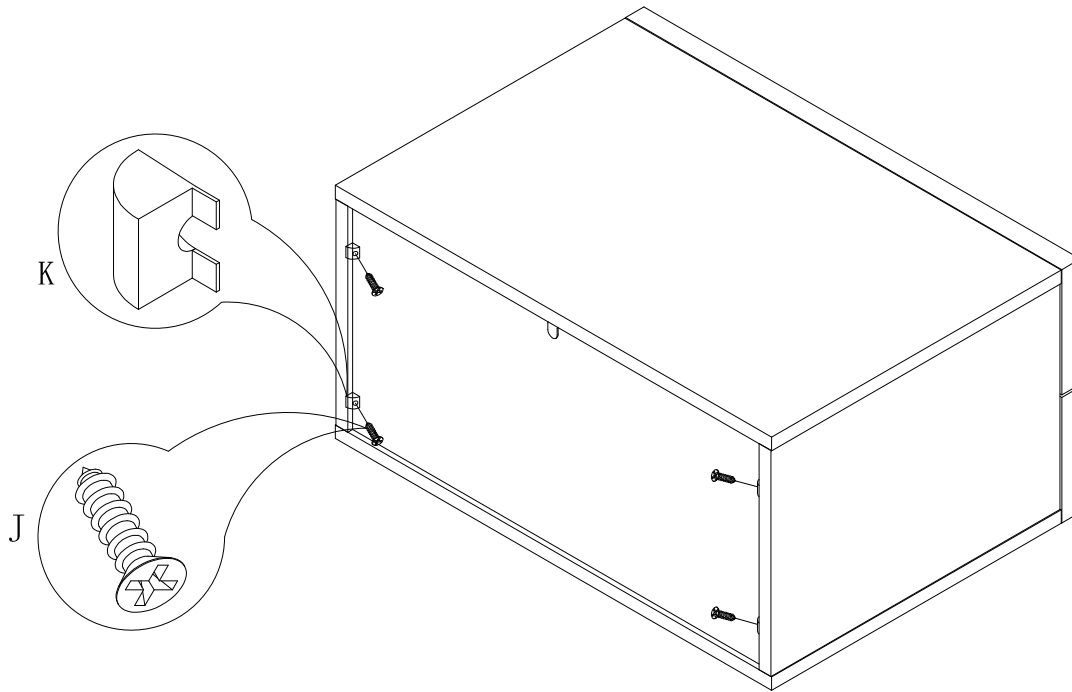




7

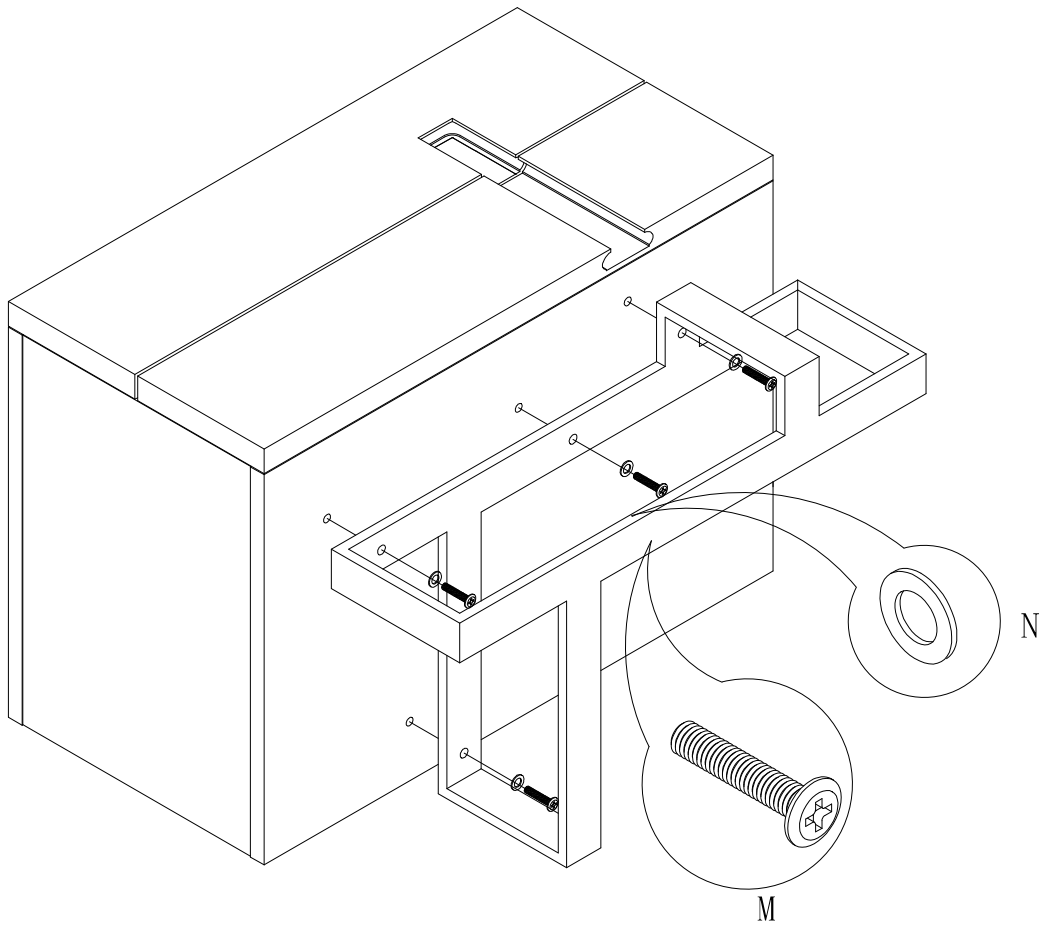
8

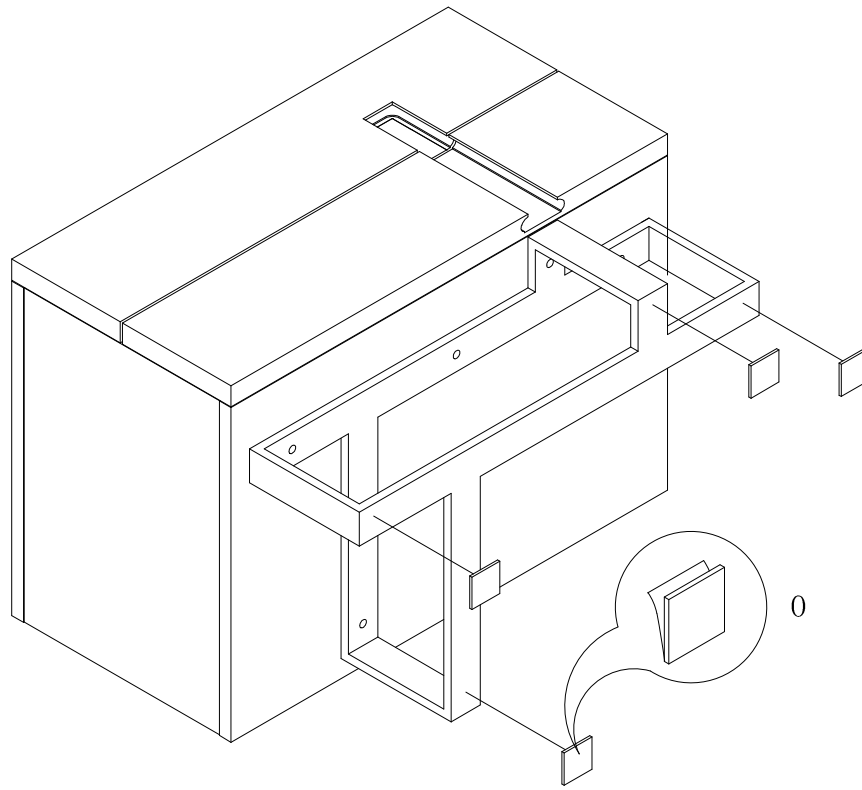




9

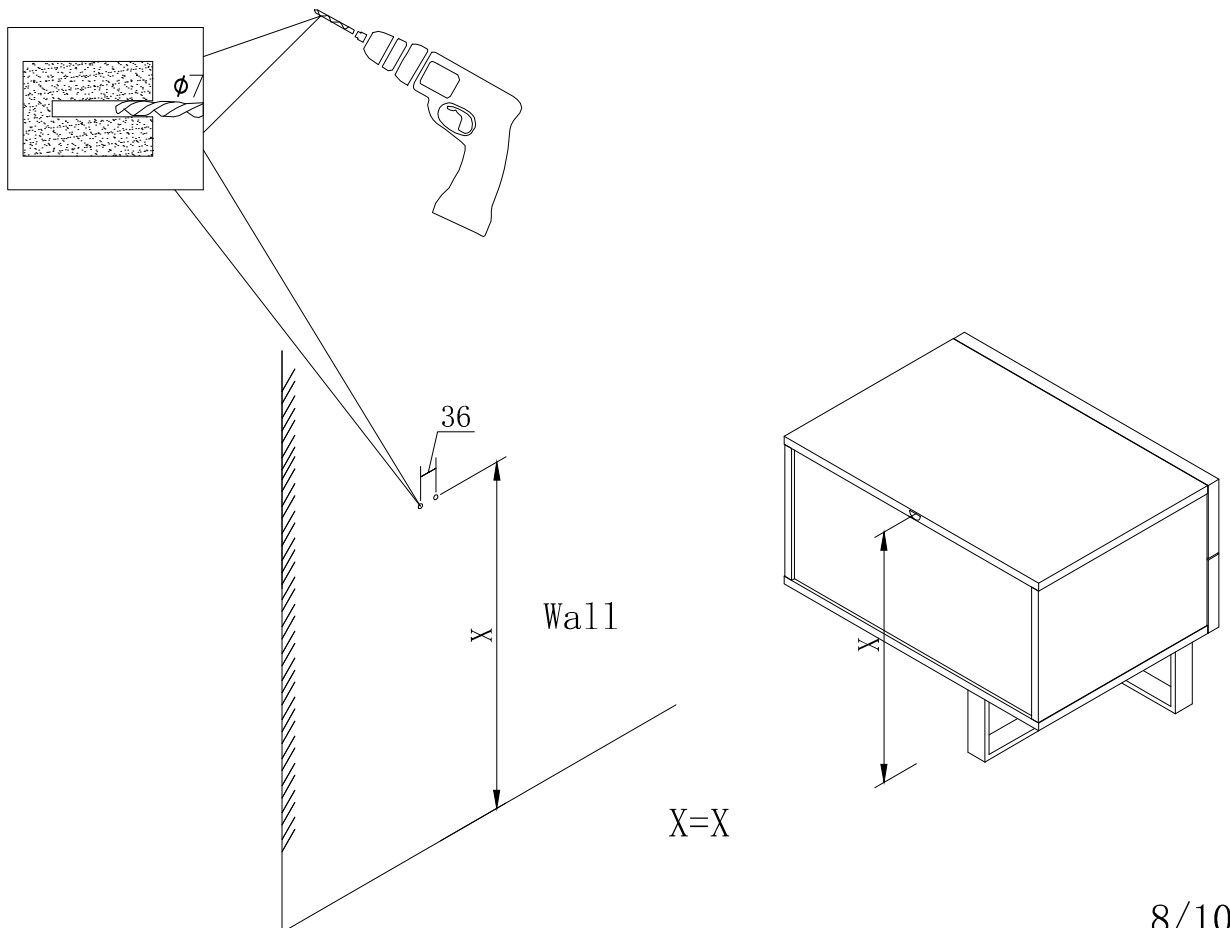
10



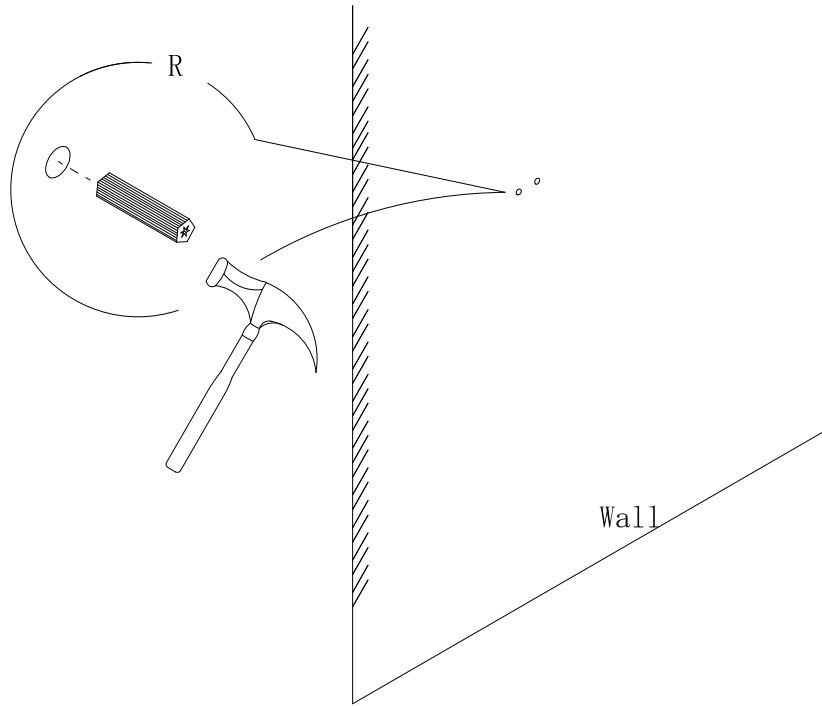


11

12

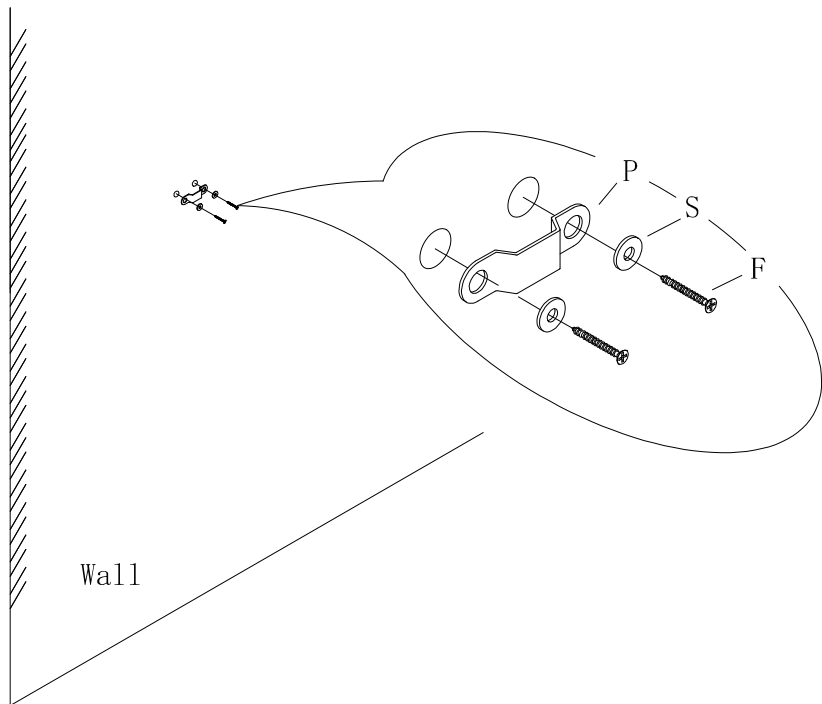


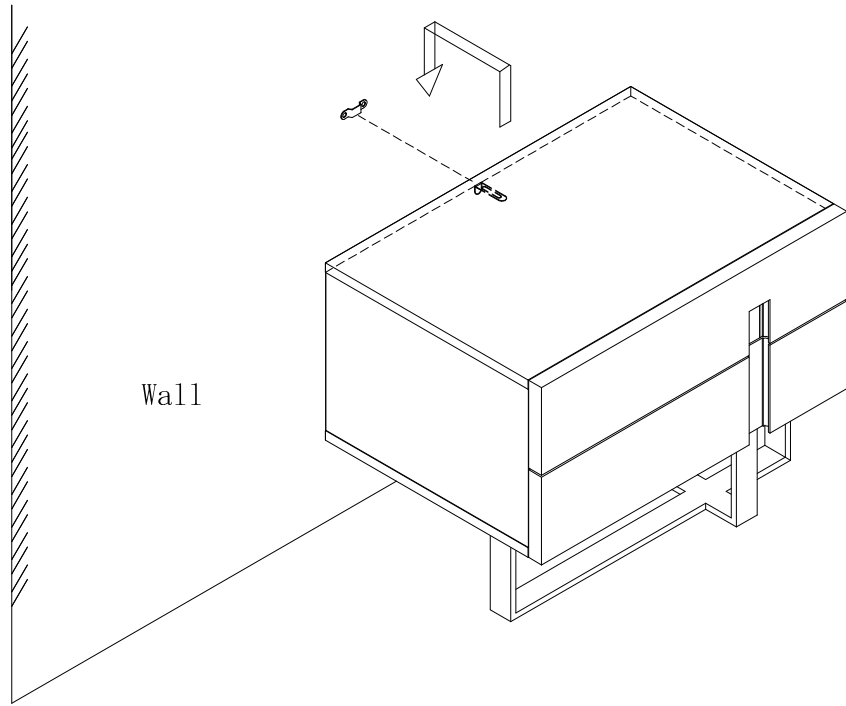




13

14





15

---