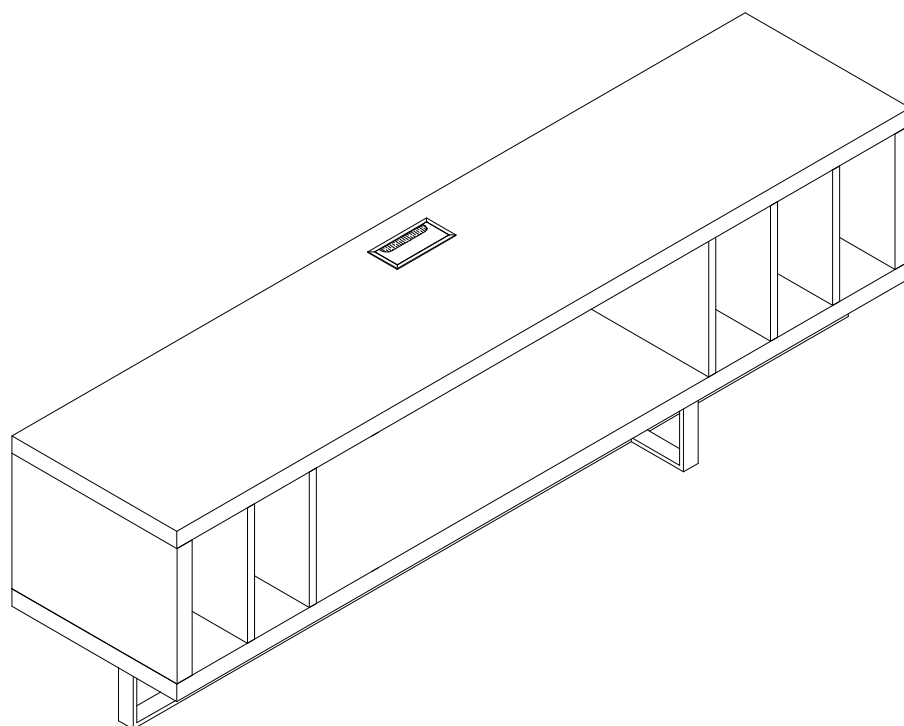


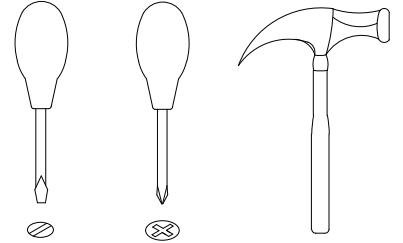
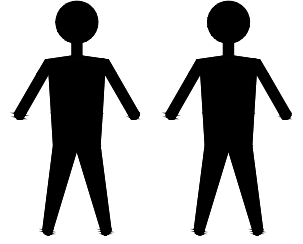
MOD  
interiors

# CP1302TV8



**EAC**

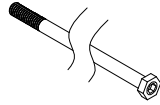
# # CP1302TV8



A x28  
Spec:  $\phi 8 \times 30$



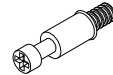
B x4  
Spec: M6\*38



C x4  
Spec: M8\*L380



D x4  
Spec:  $\phi 8 \times \phi 14$



E x8  
Spec:  $\phi 6 \times L28$



F x8  
Spec:  $\phi 12 \times H9$



G x8  
Spec:  $\phi 6 \times 30$



H x10  
Spec: M6\*25



I x10  
Spec:  $\phi 8 \times \phi 18$



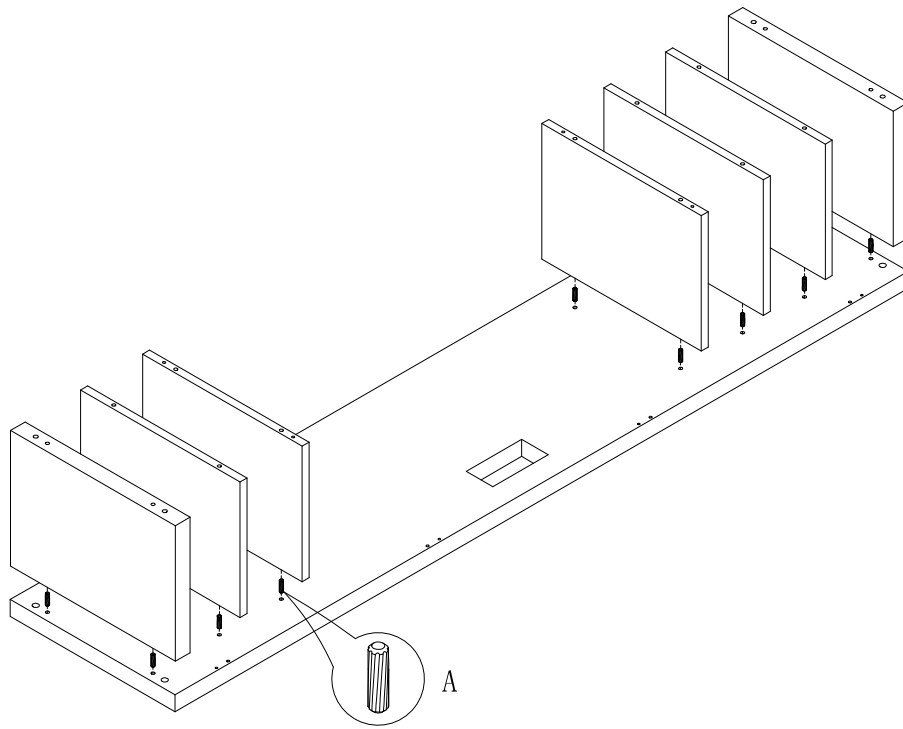
J x6  
Spec: 38\*38mm



K x1  
Spec: 4#

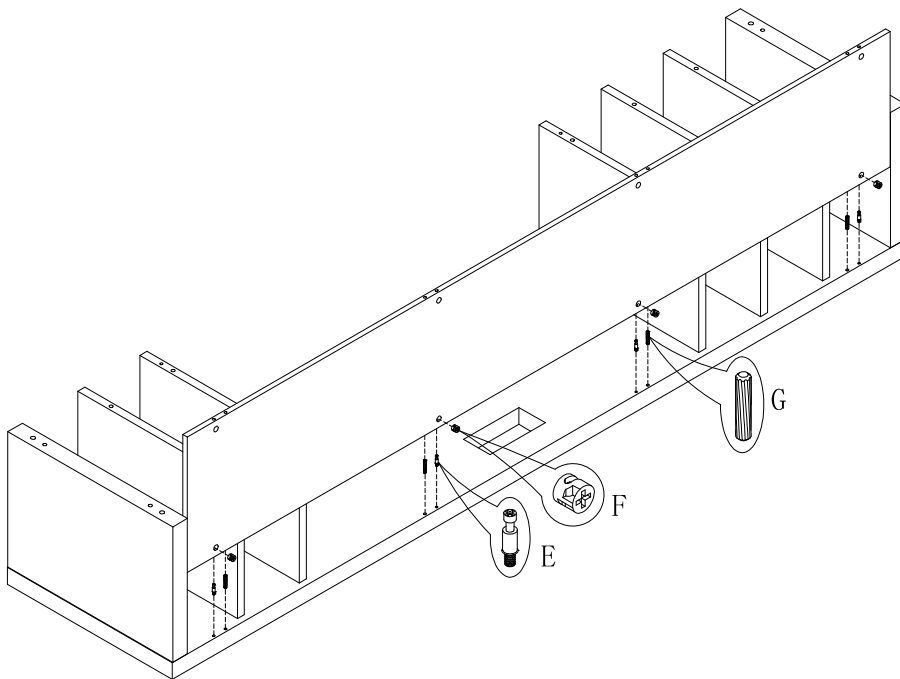


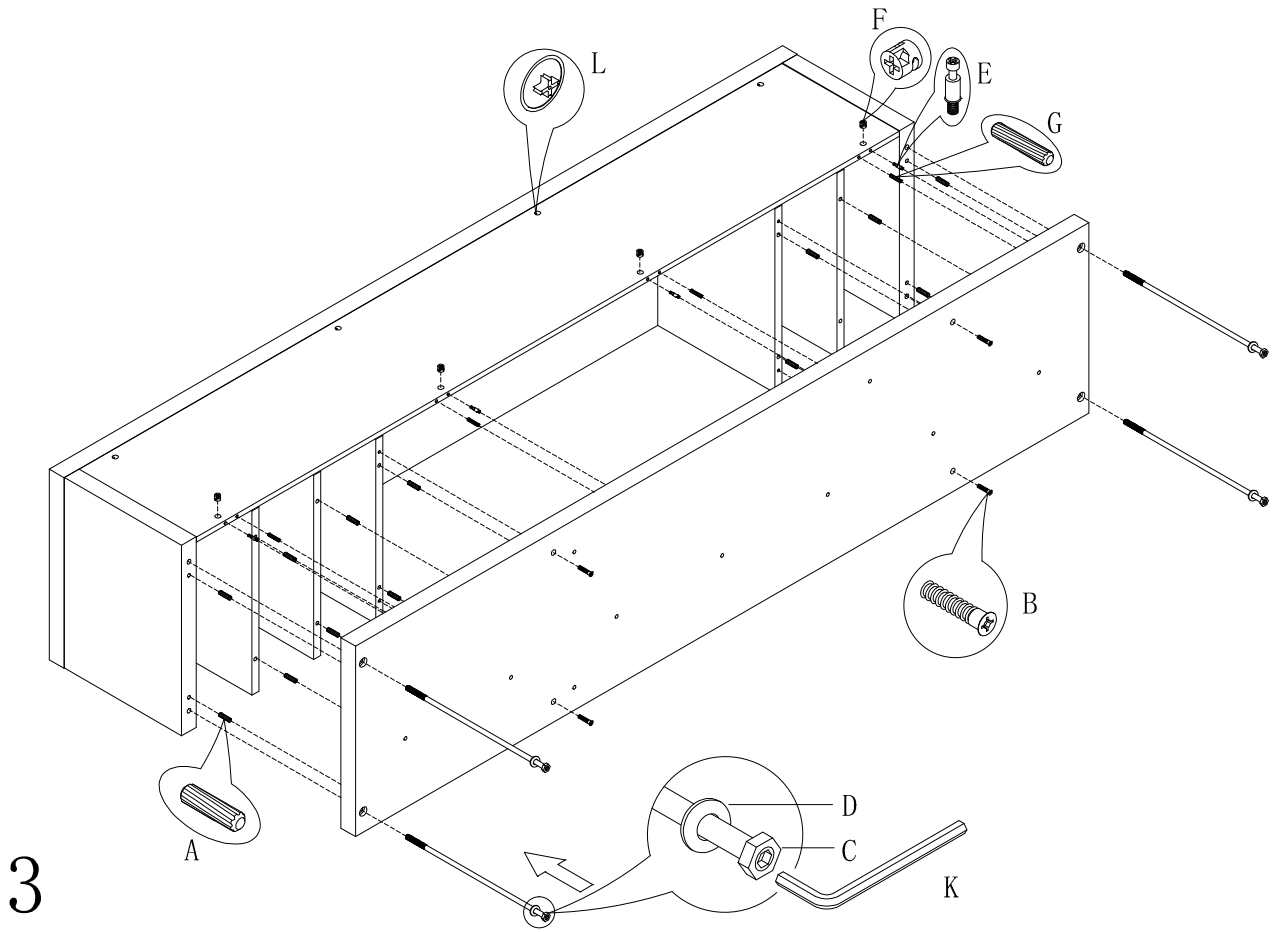
L x8  
Spec:



1

2





4

