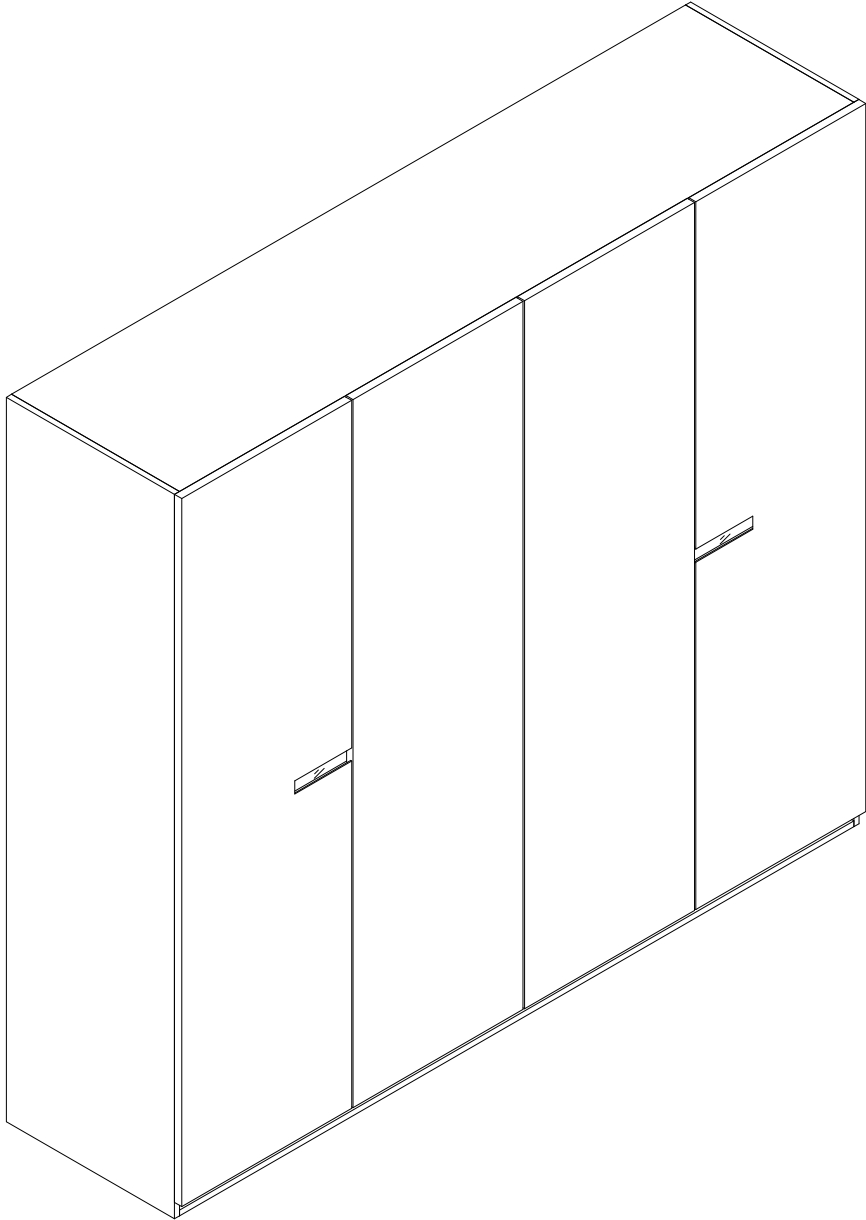


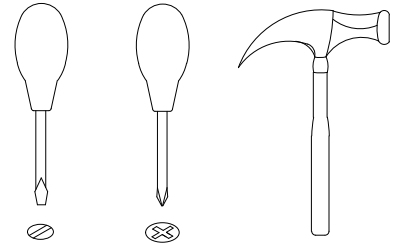
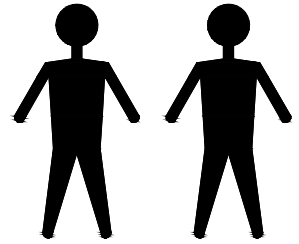
MOD
interiors

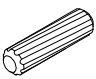
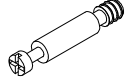
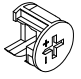
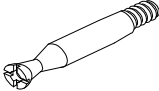
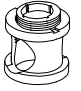
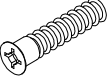

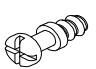
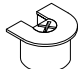
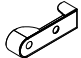
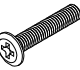
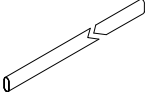
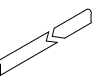
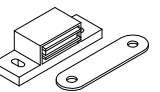
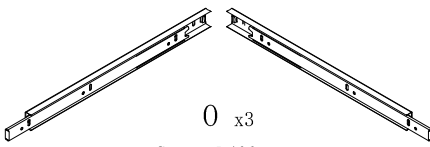



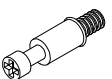
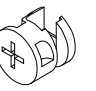


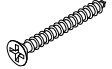
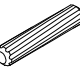
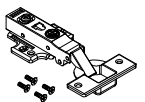
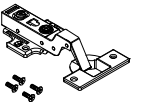


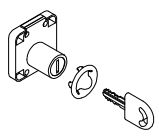


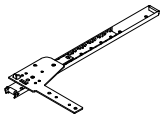
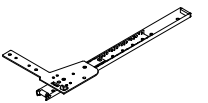
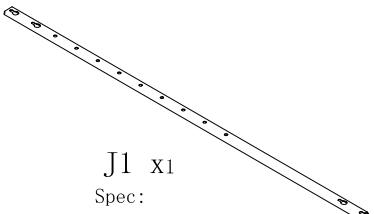
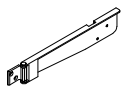
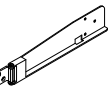


CP1302W-V/V

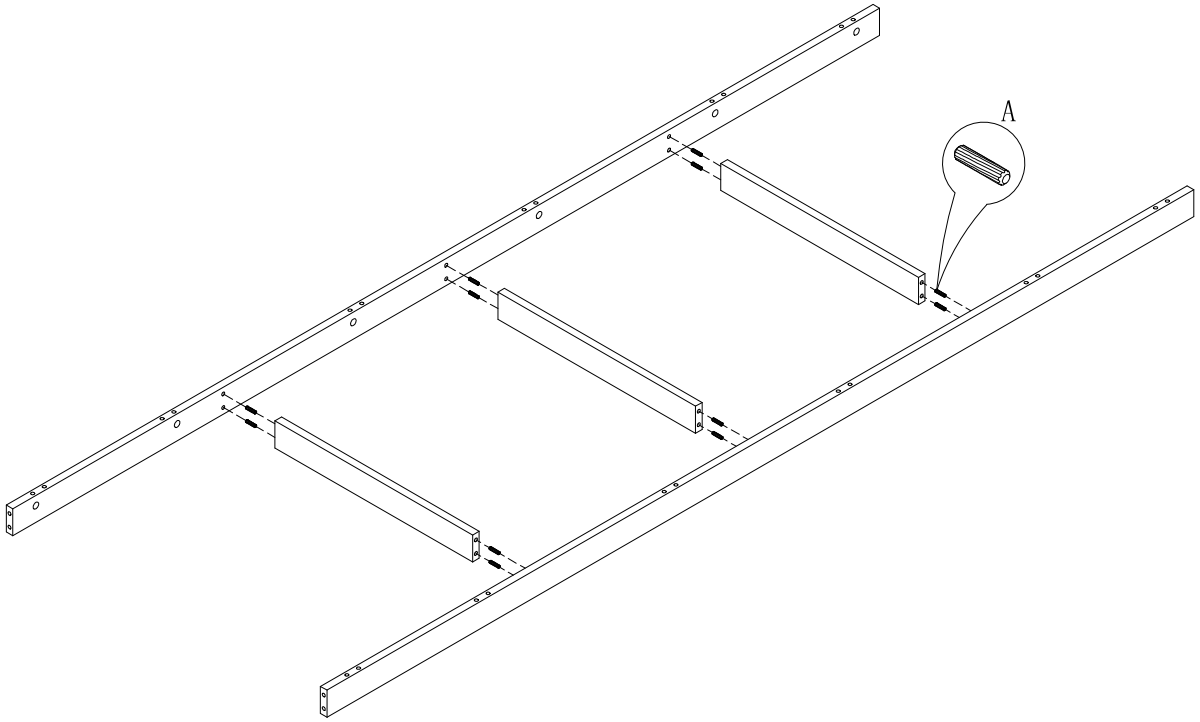


EAC

CP1302W-V/V

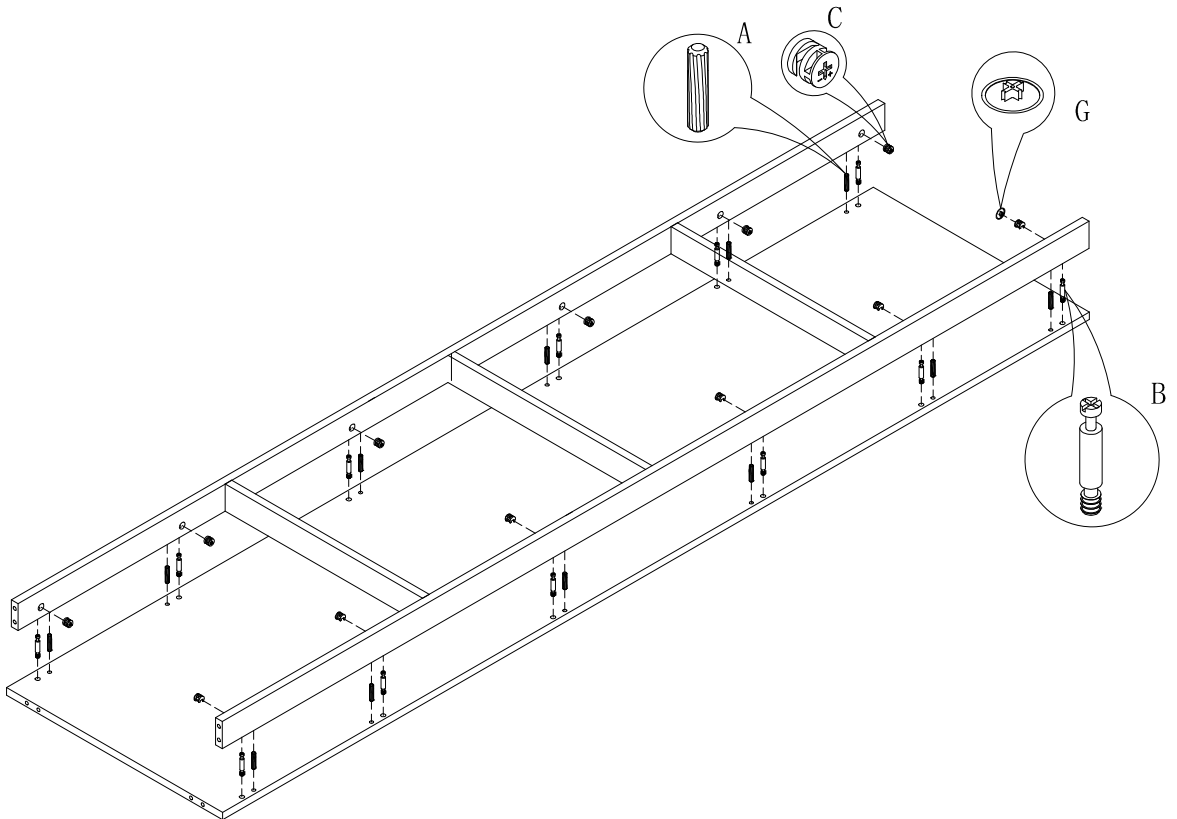


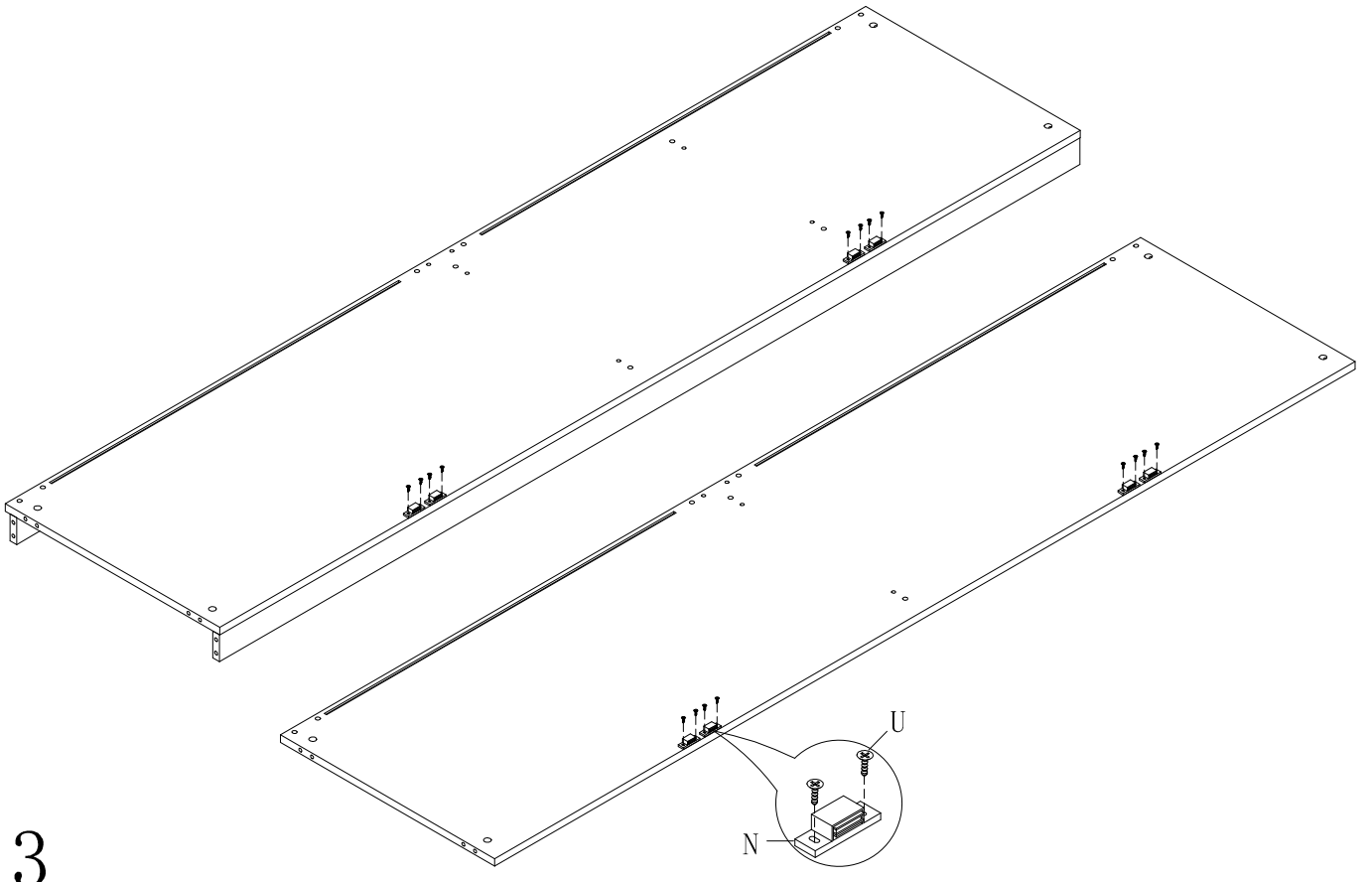
						
A x72 Spec: $\phi 8 \times 30$	B x38 Spec: $\phi 7 \times L30$	C x38 Spec: $\phi 15 \times H12$	D x16 Spec: $\phi 7 \times L48$	E x16 Spec: $\phi 15 \times H15$	F x4 Spec: M7*38	G x12 Spec:
						
H x24 Spec: $\phi 5 \times L19$	I x24 Spec: $\phi 20 \times H12$	J x4 Spec: L63*W20	K x4 Spec: $\phi 6 \times L35$	L x1 Spec: L1152	M x1 Spec: L556	N x8 Spec:
						
O x3 Spec: L400	P x36 Spec: $\phi 3.5 \times L11$	Q x40 Spec: $\phi 3.8 \times L16$	R x54 Spec:	S x12 Spec: $\phi 6 \times L30$	T x12 Spec: $\phi 12 \times H10$	
						
U x16 Spec: $\phi 3.5 \times L16$	V x32 Spec: $\phi 3.5 \times L11$	D1 x12 Spec: $\phi 3.5 \times L32$	E1 x12 Spec: $\phi 6 \times 30$	Y x10 Spec:	Z x10 Spec:	A1 x4 Spec: $\phi 3.5 \times L18$
						
B1 x1 Spec:	C1 x1 Spec:	F1 x4 Spec: $\phi 3.8 \times L50$	G1 x10 Spec: $\phi 3.8 \times L25$	H1 x1 Spec:	H2 x1 Spec:	
						
J1 x1 Spec:	L1 x1 Spec:	L2 x1 Spec:	I3 x4 Spec:	I2 x6 Spec:		



1

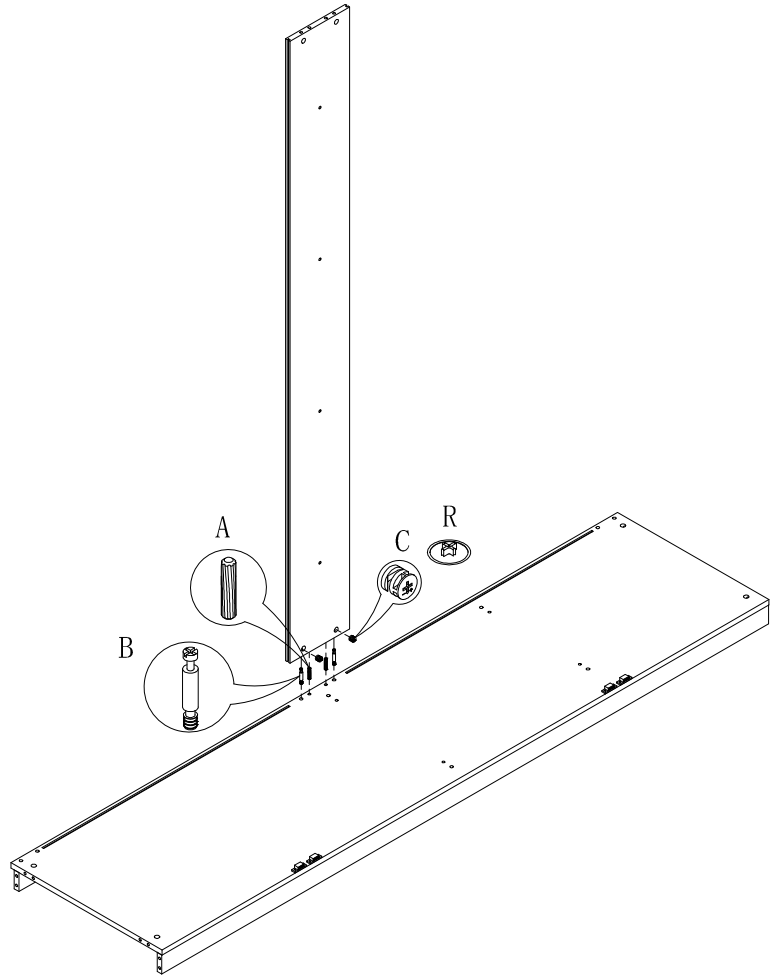
2



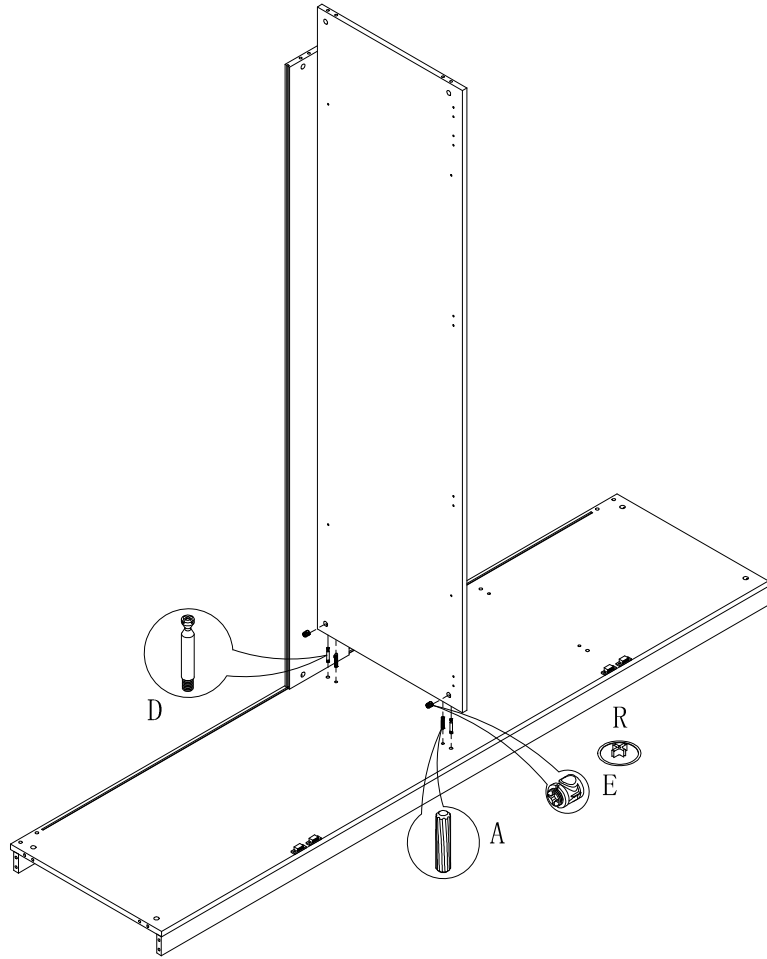


3

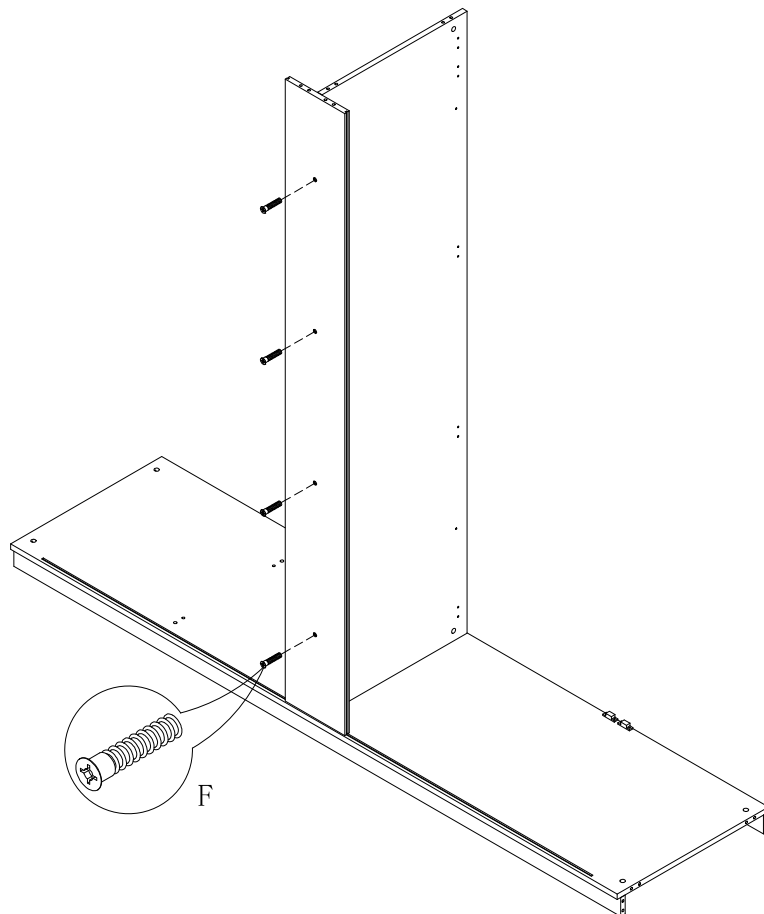
4

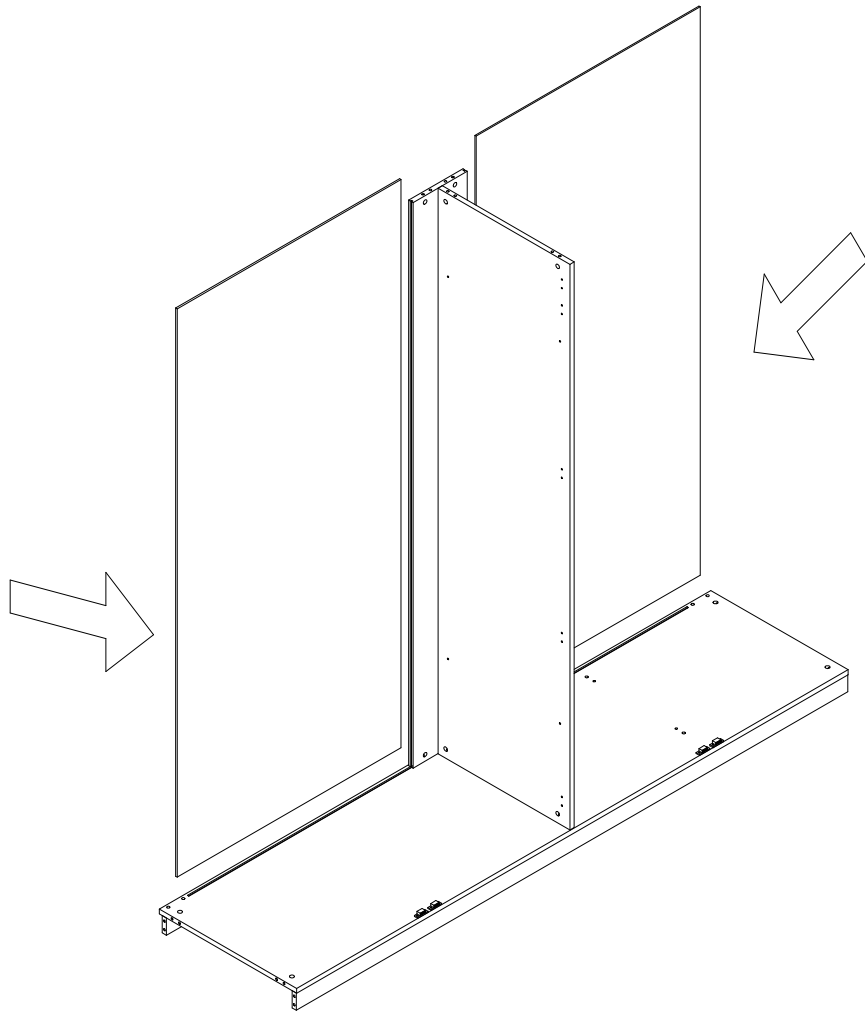


5



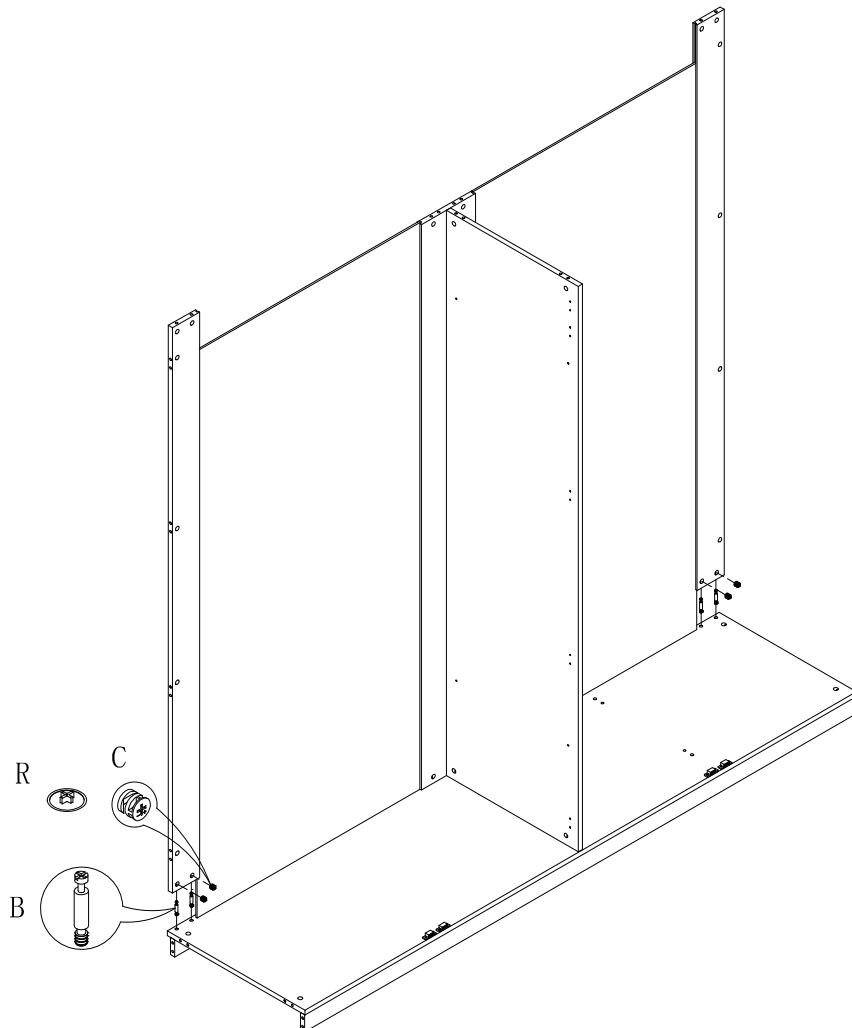
6

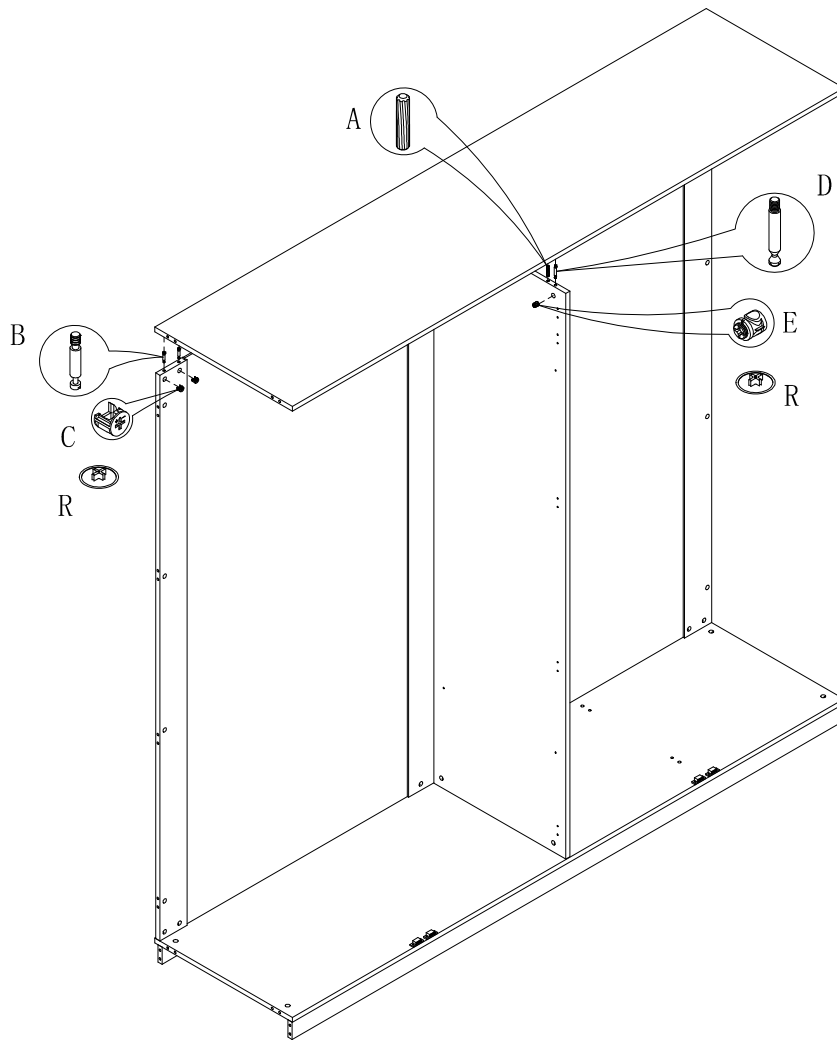




7

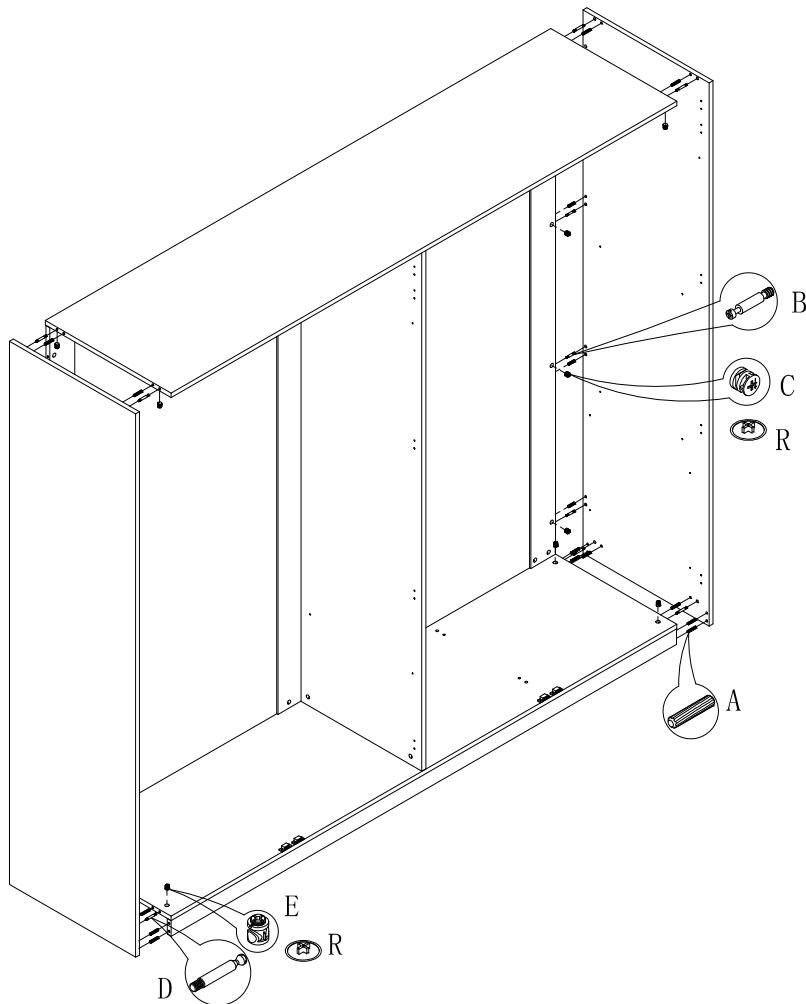
8

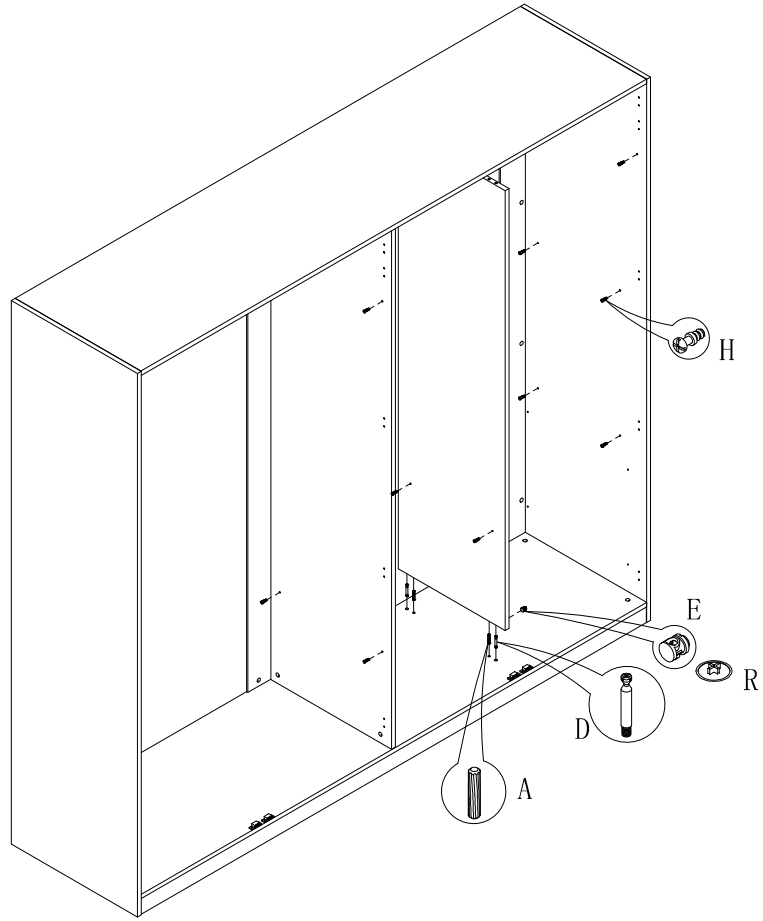




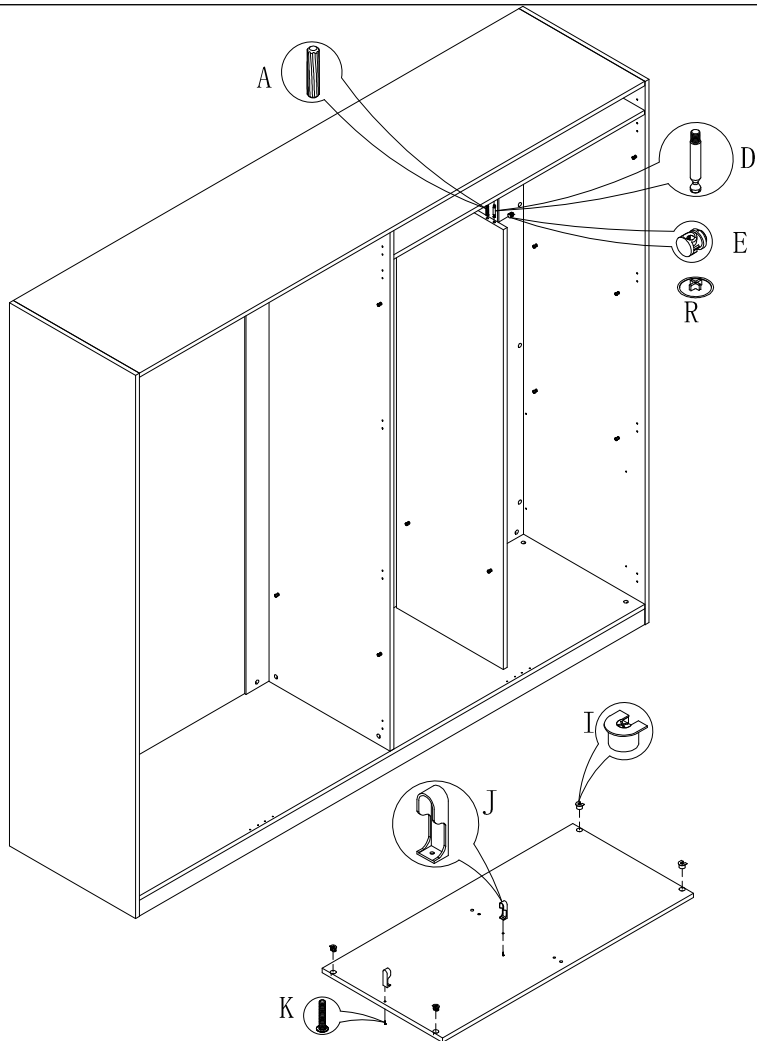
9

10

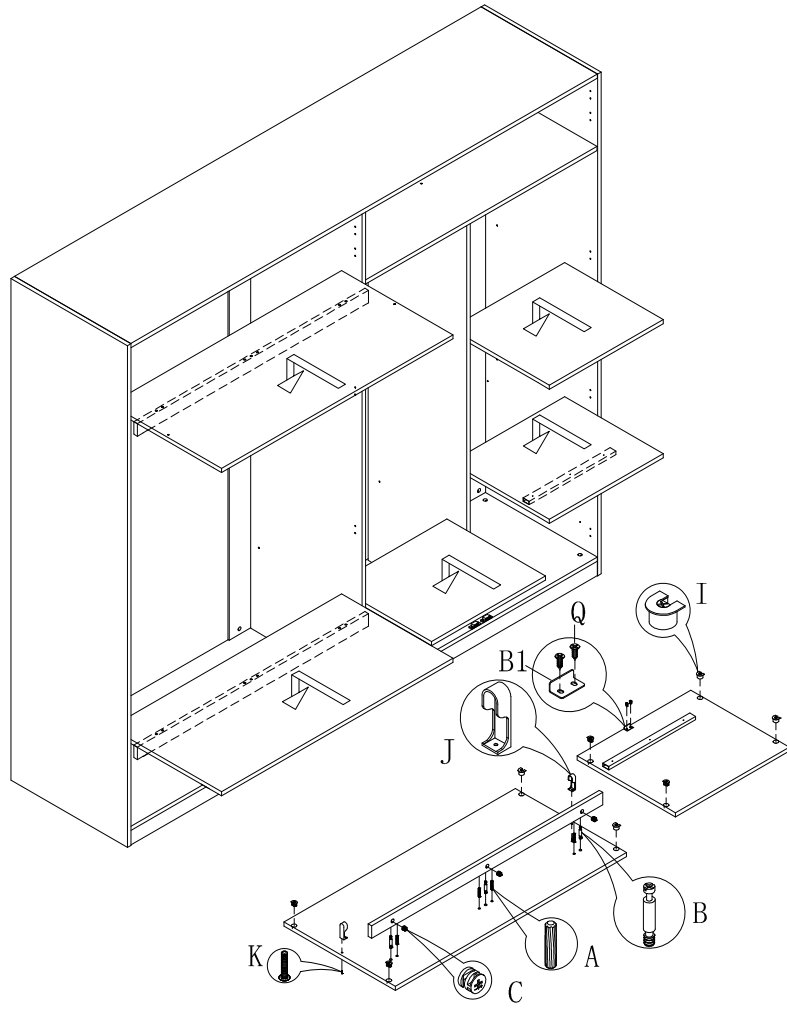




11

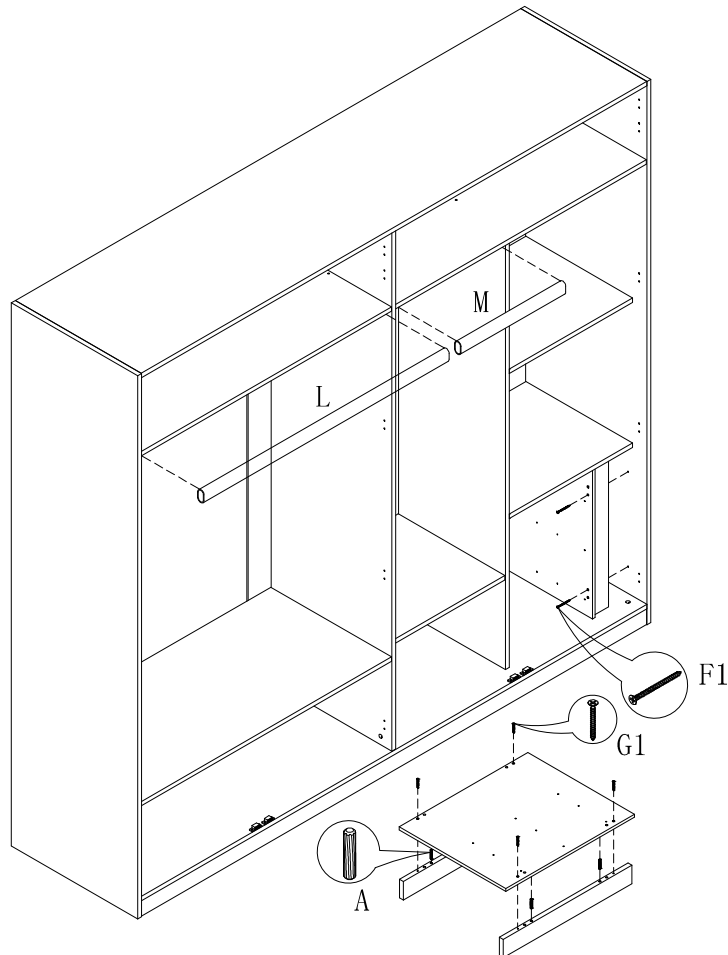


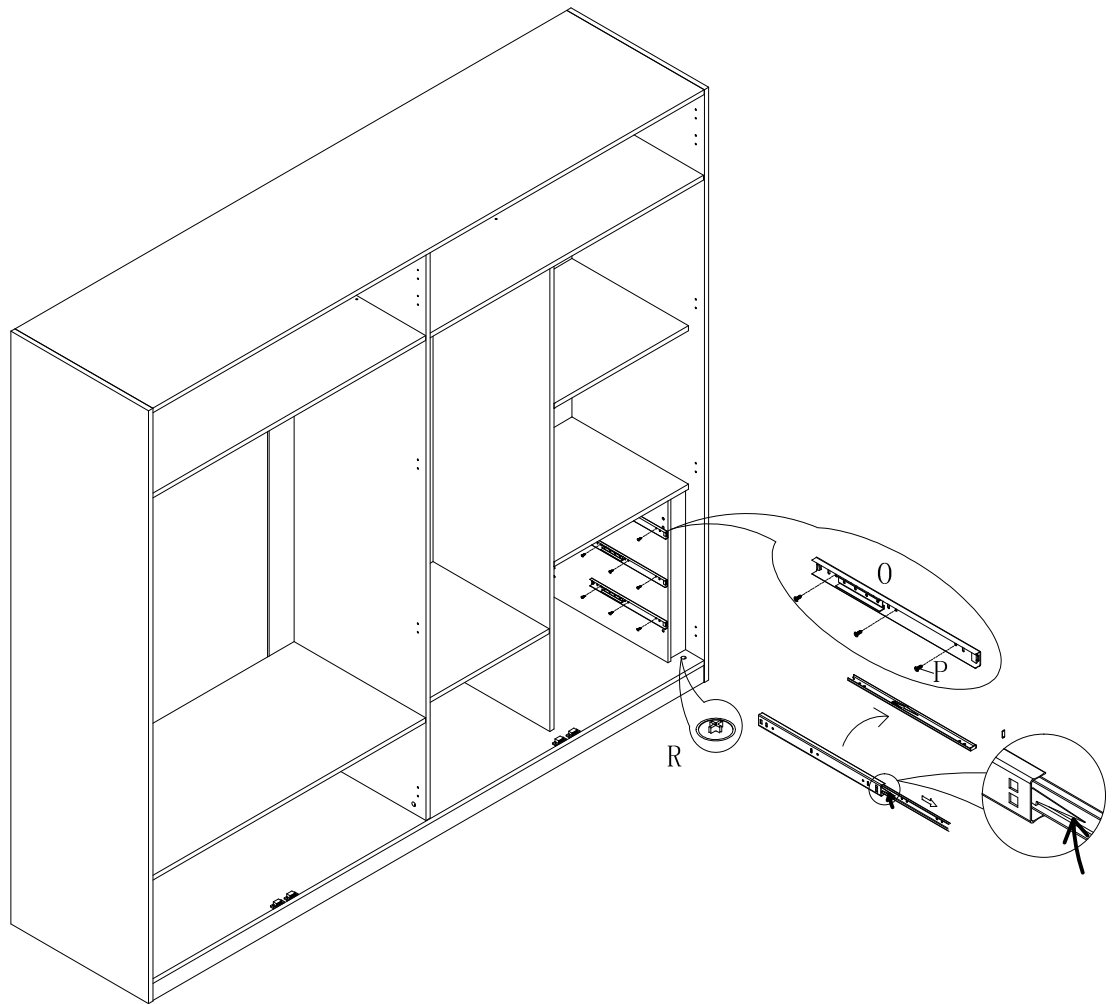
12



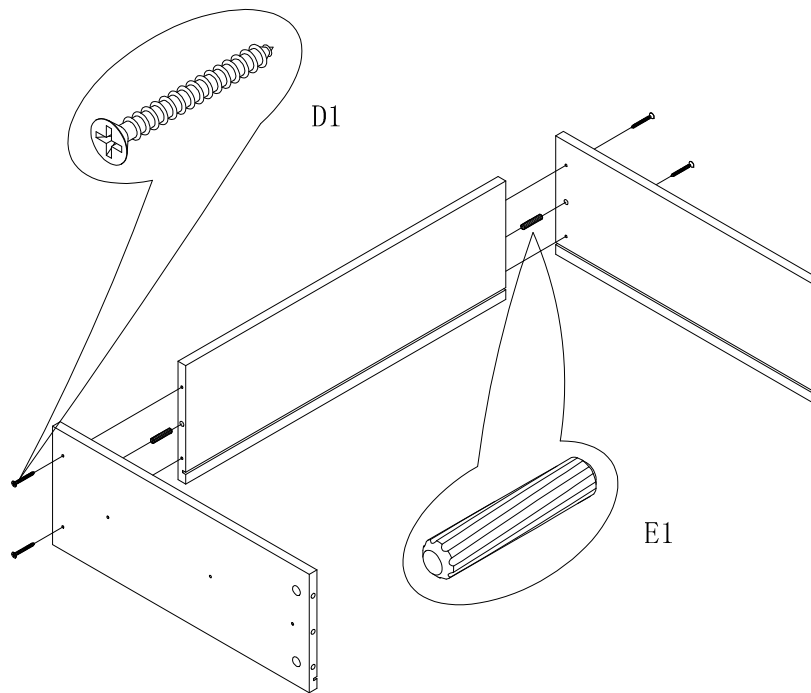
13

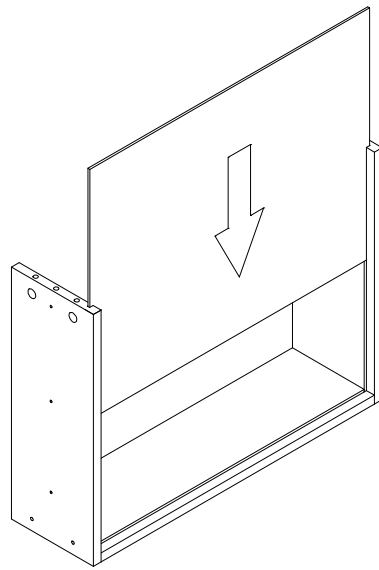
14





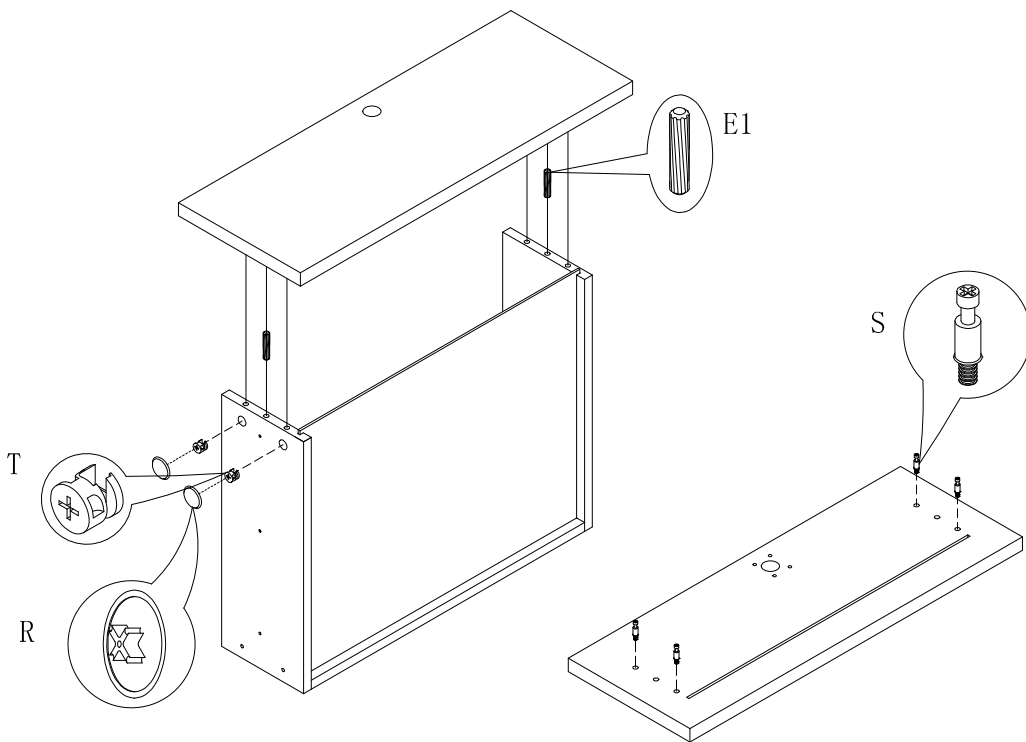
16

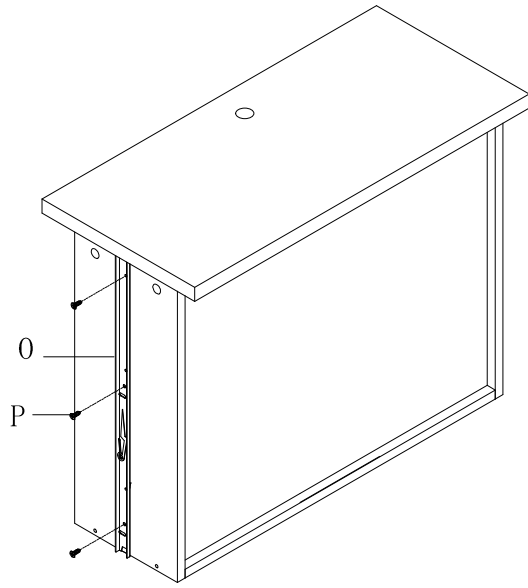




17

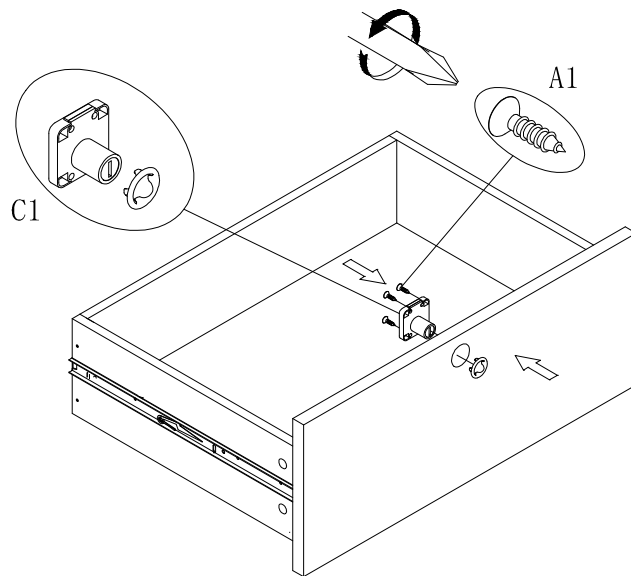
18



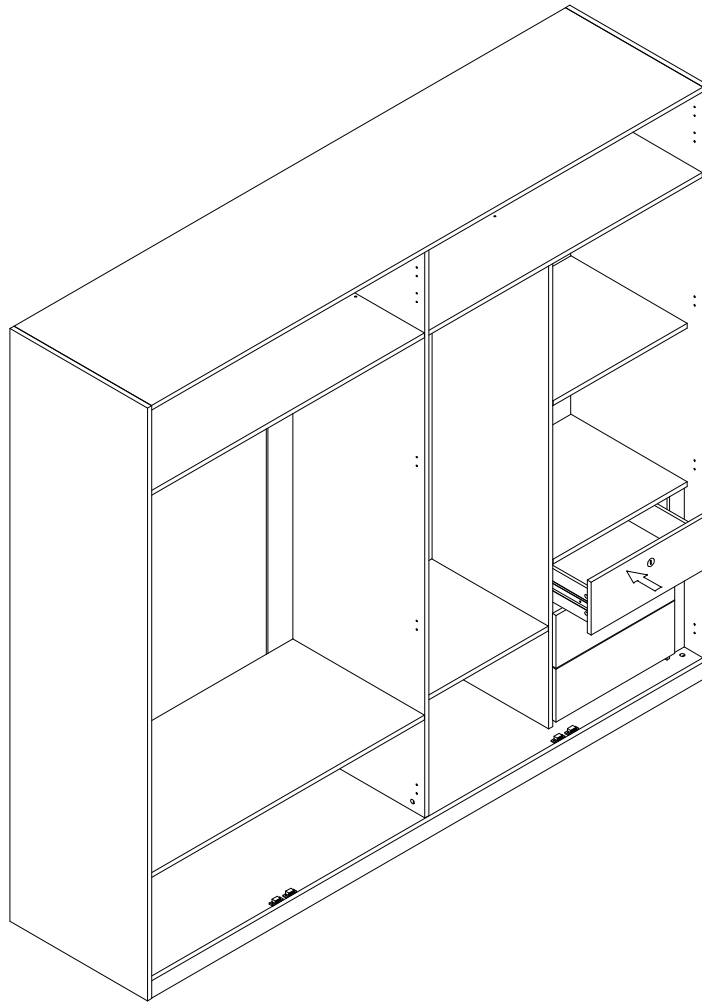


19

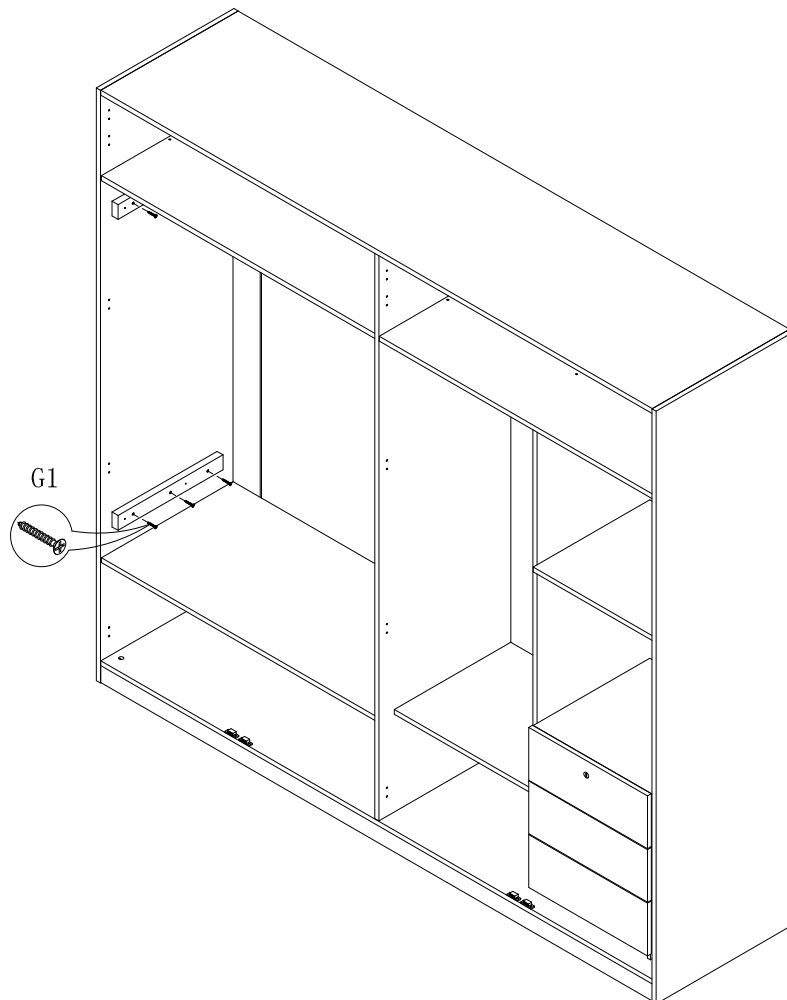
20

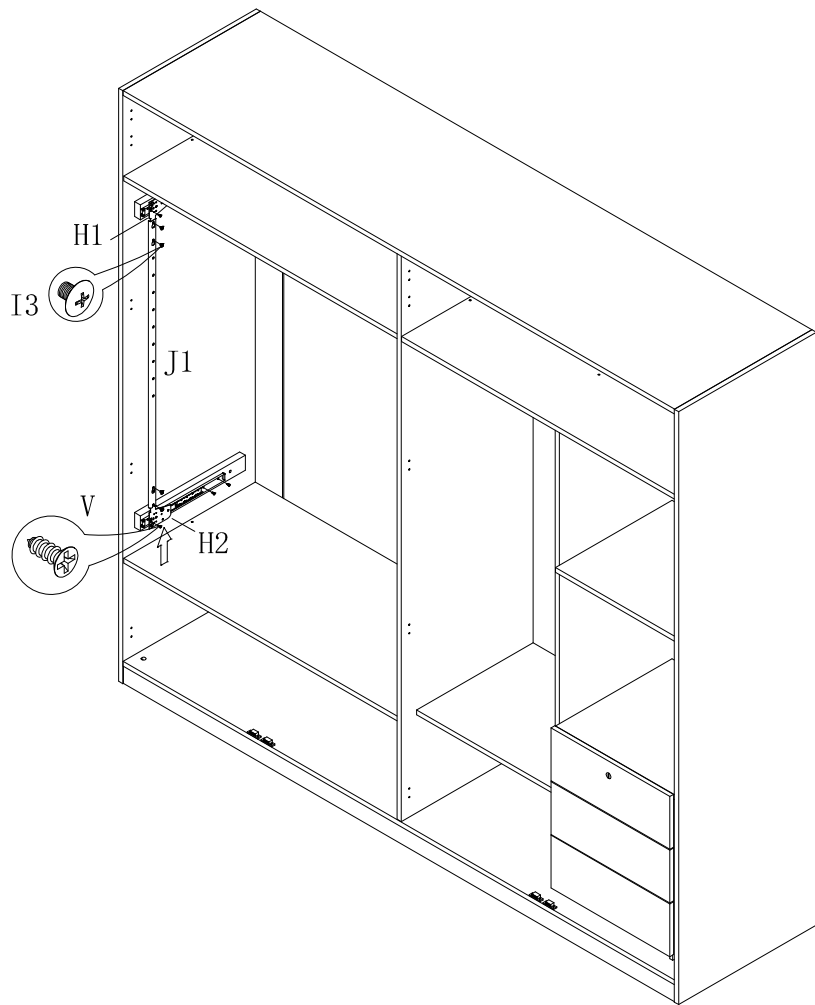


21



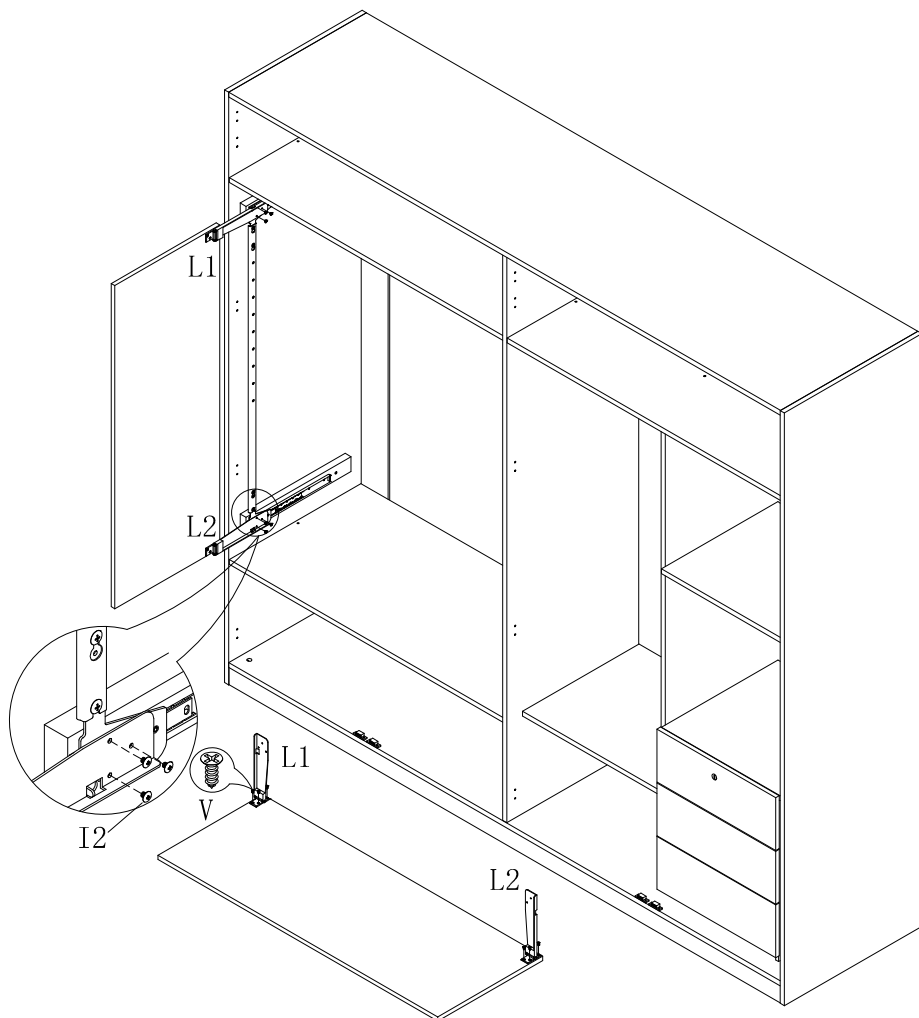
22

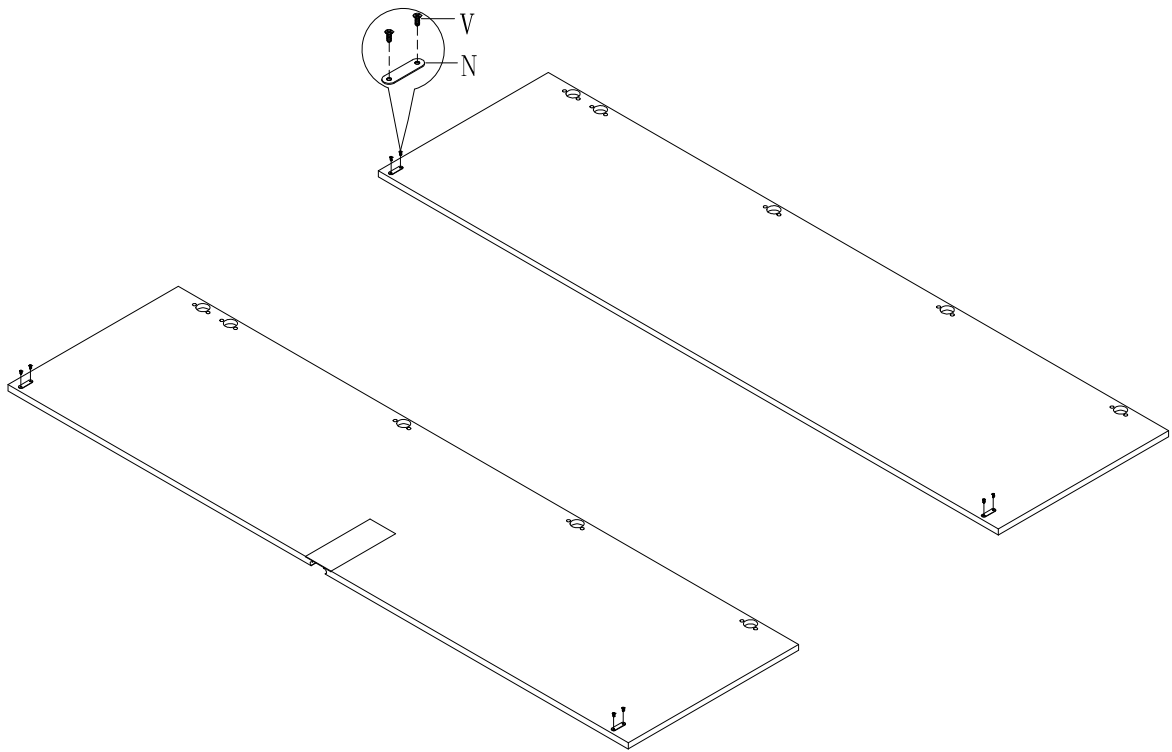




23

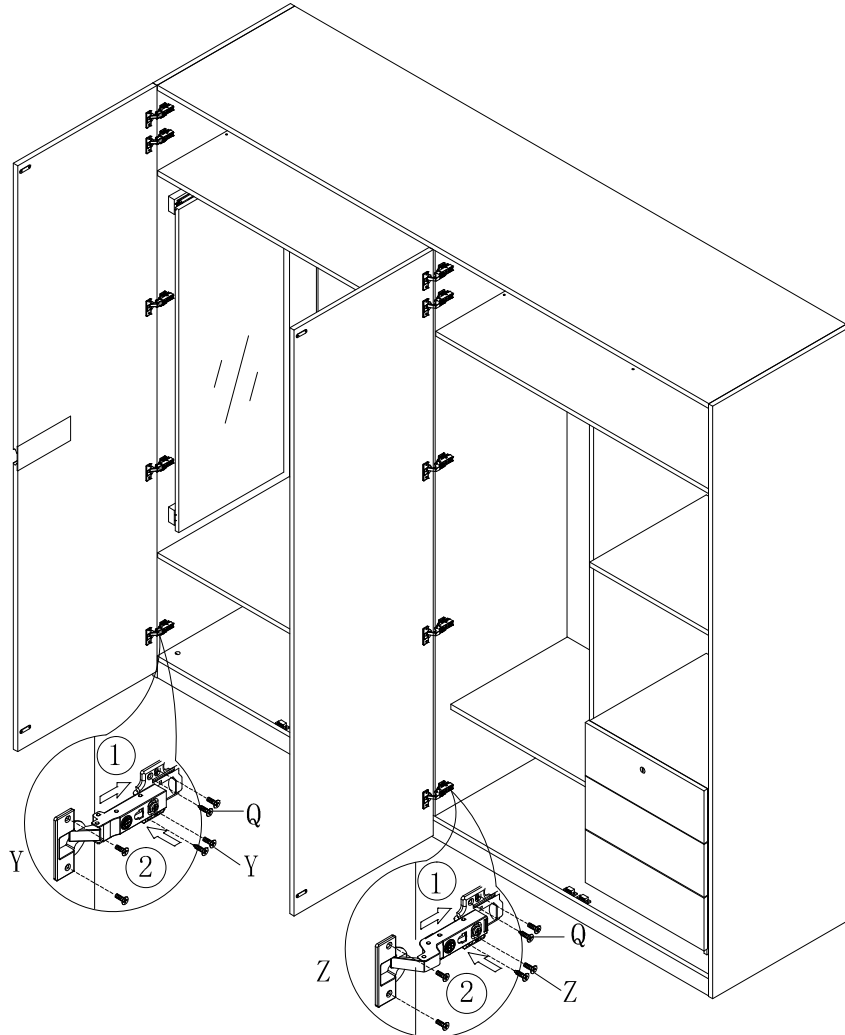
24

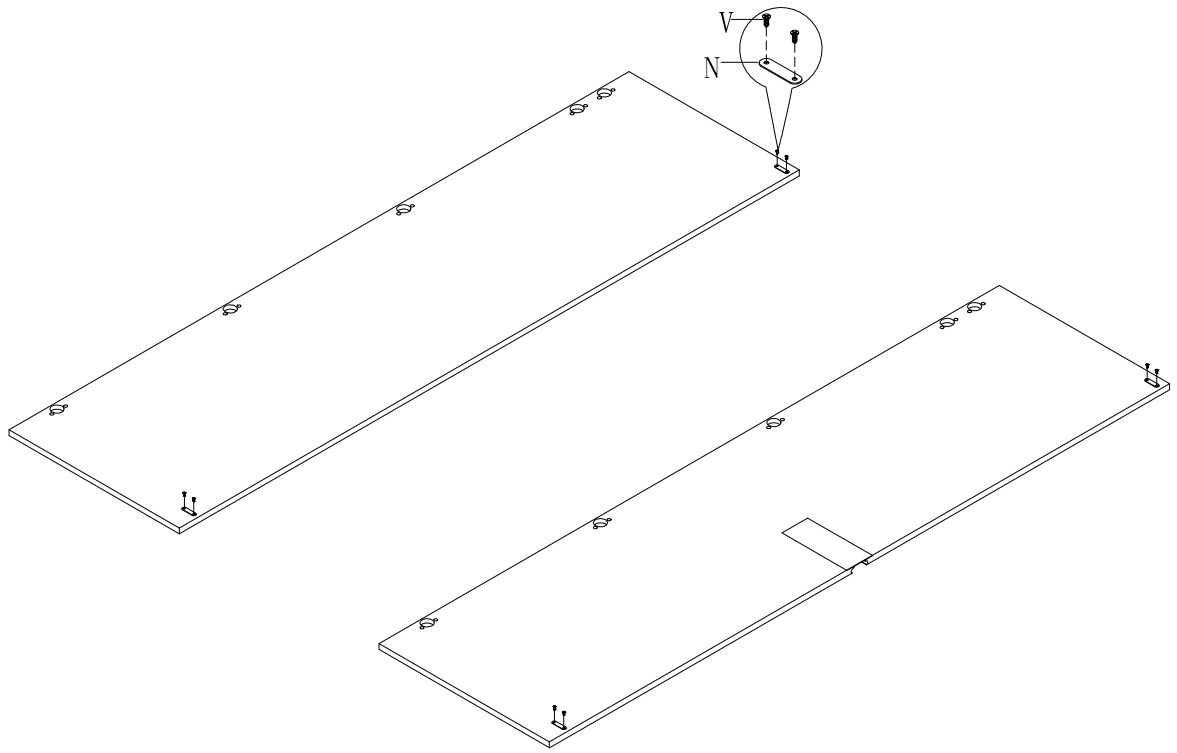




25

26





27

28

