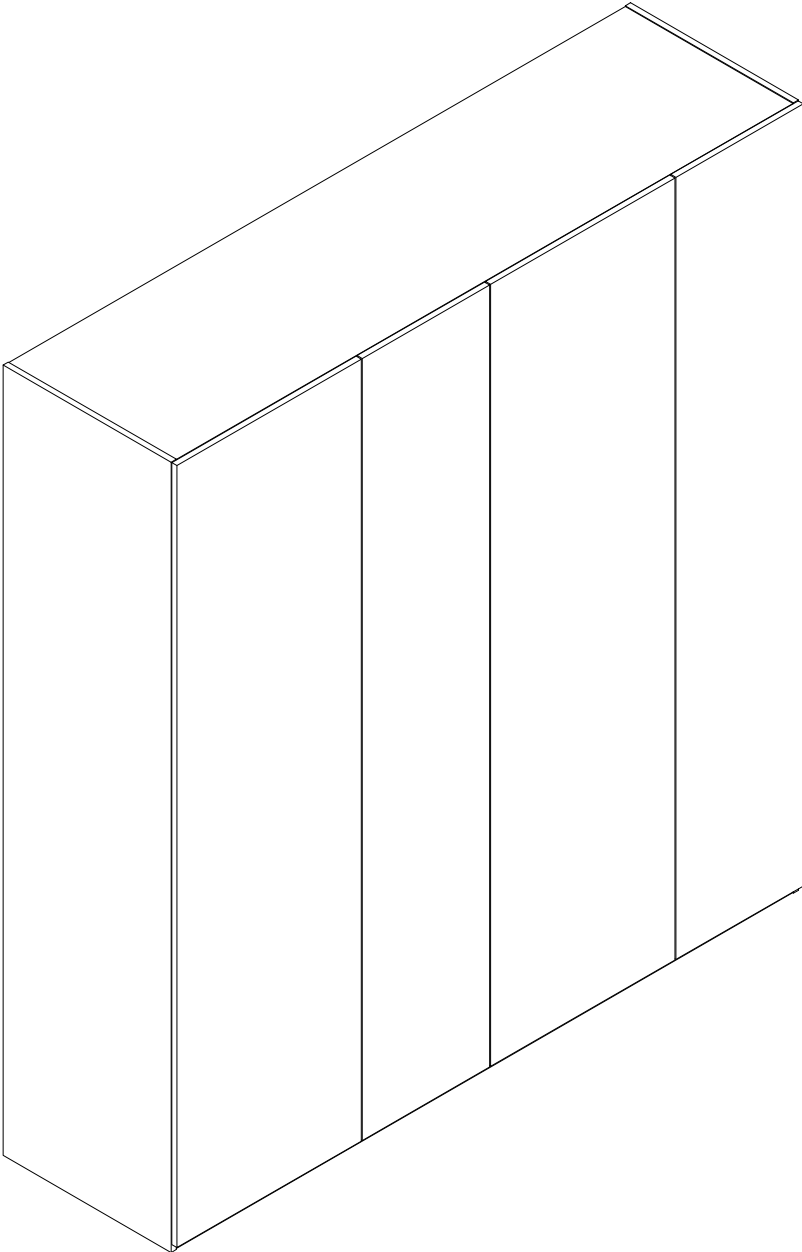


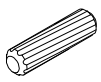
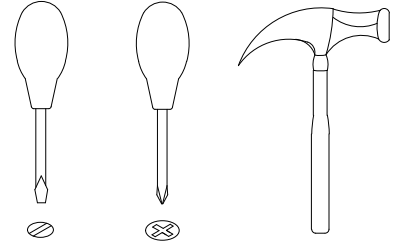
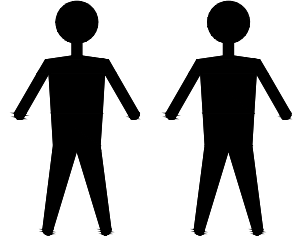
**MOD**  
interiors

# CP1703W9

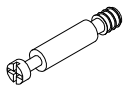


**EAC**

# # CP1703W9



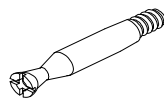
A x76  
Spec:  $\phi 8 \times 30$



B x43  
Spec:  $\phi 7 \times L30$



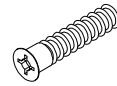
C x43  
Spec:  $\phi 15 \times H12$



D x12  
Spec:  $\phi 7 \times L48$



E x12  
Spec:  $\phi 15 \times H15$



F x4  
Spec: M7\*38



E1 x4  
Spec:



H x16  
Spec:  $\phi 5 \times L19$



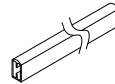
I x16  
Spec:  $\phi 20 \times H12$



J x4  
Spec: L63\*W20



K x4  
Spec:  $\phi 5 \times L30$



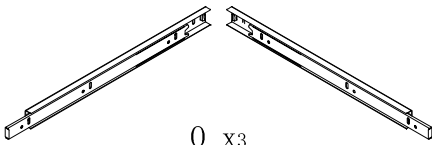
L x2  
Spec: L1049



M x8  
Spec:  $\phi 3.8 \times L50$



N x8  
Spec:  $\phi 3.8 \times L25$



O x3  
Spec: L400



Q x2  
Spec:  $\phi 3.5 \times L8$



R x36  
Spec:  $\phi 3.5 \times L11$



S x18  
Spec:  $\phi 6 \times L28$



T x18  
Spec:  $\phi 12 \times H9$



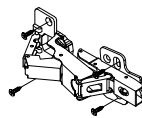
U x24  
Spec:  $\phi 6 \times 30$



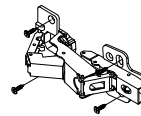
V x12  
Spec:  $\phi 3.5 \times L35$



W x73  
Spec:



Y x10  
Spec: 069#



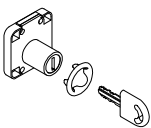
Z x10  
Spec: 079#



A1 x4  
Spec:  $\phi 3.5 \times L19$



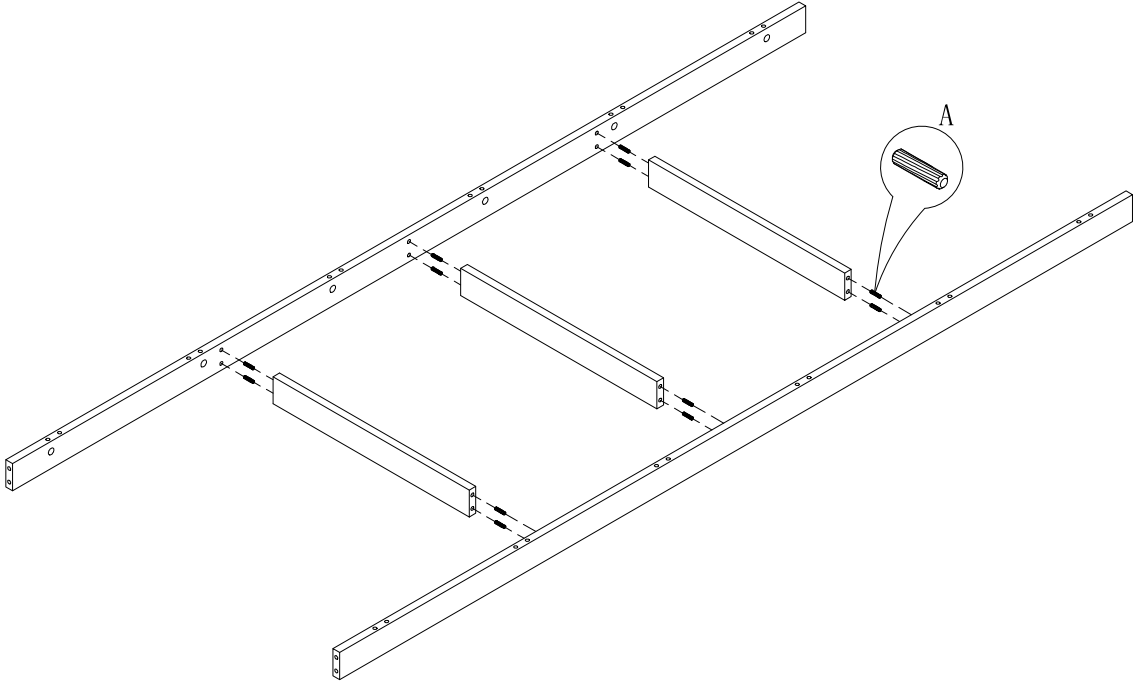
B1 x1  
Spec:



C1 x1  
Spec:

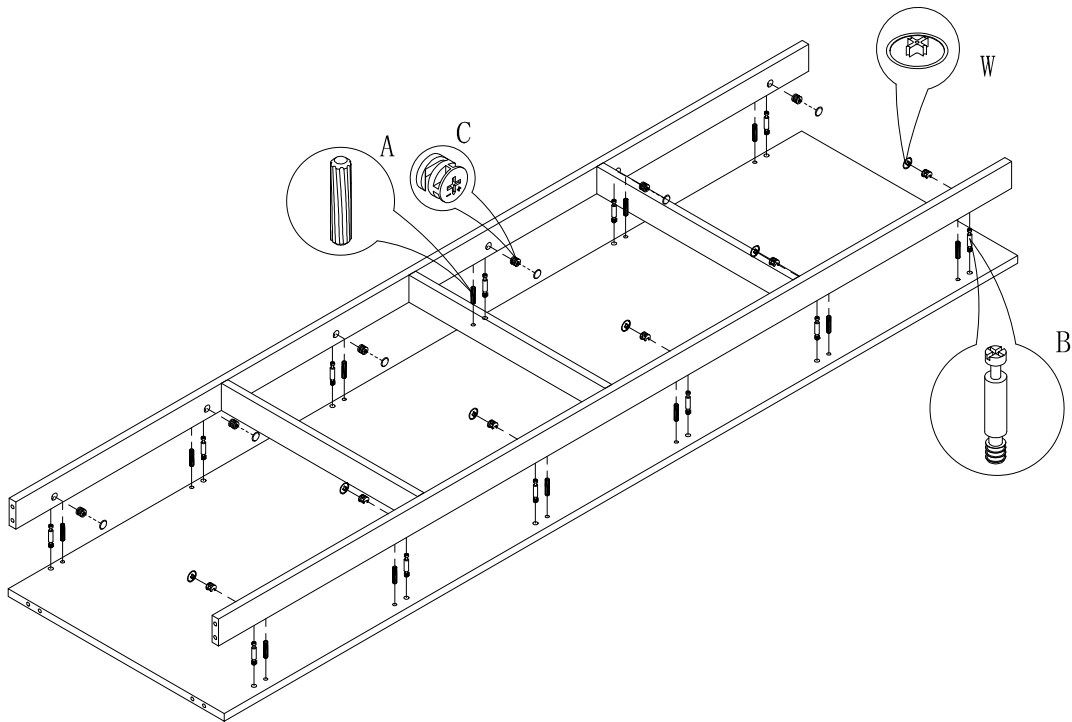


D1 x40  
Spec:  $3.8 \times L16$

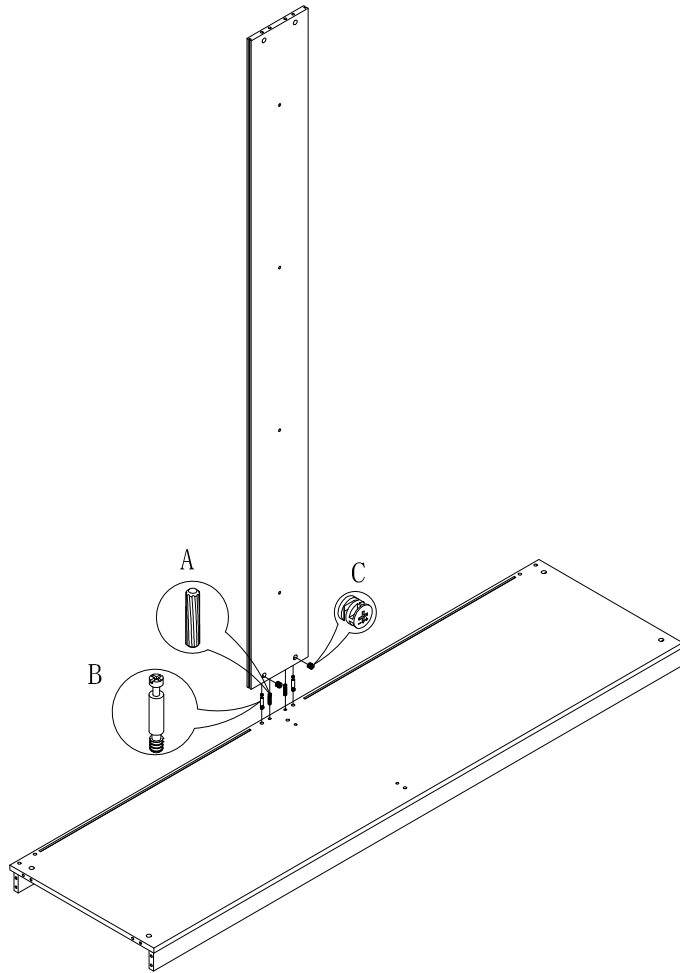


1

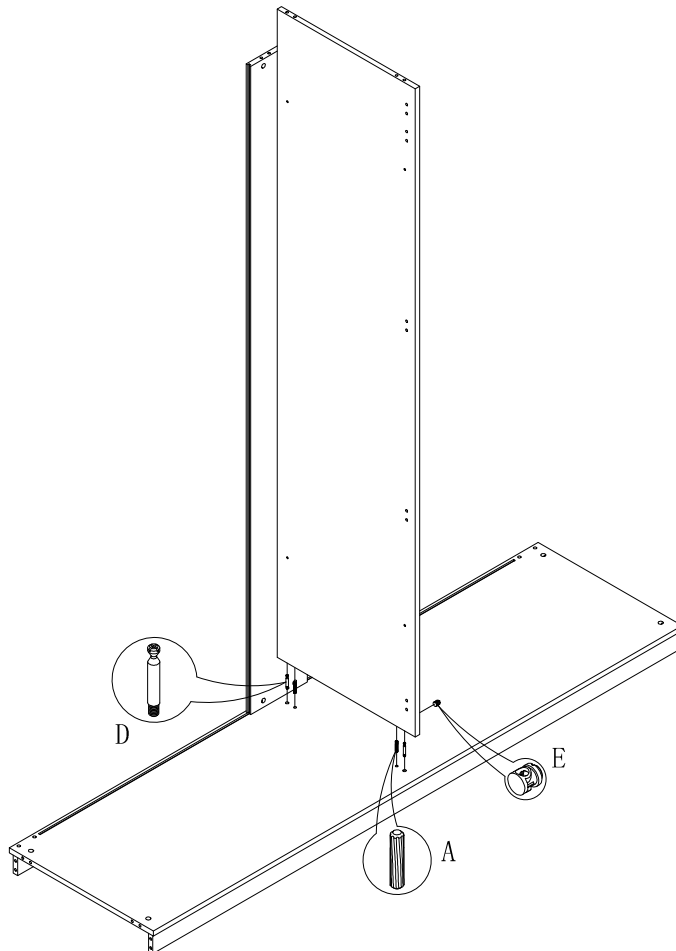
2

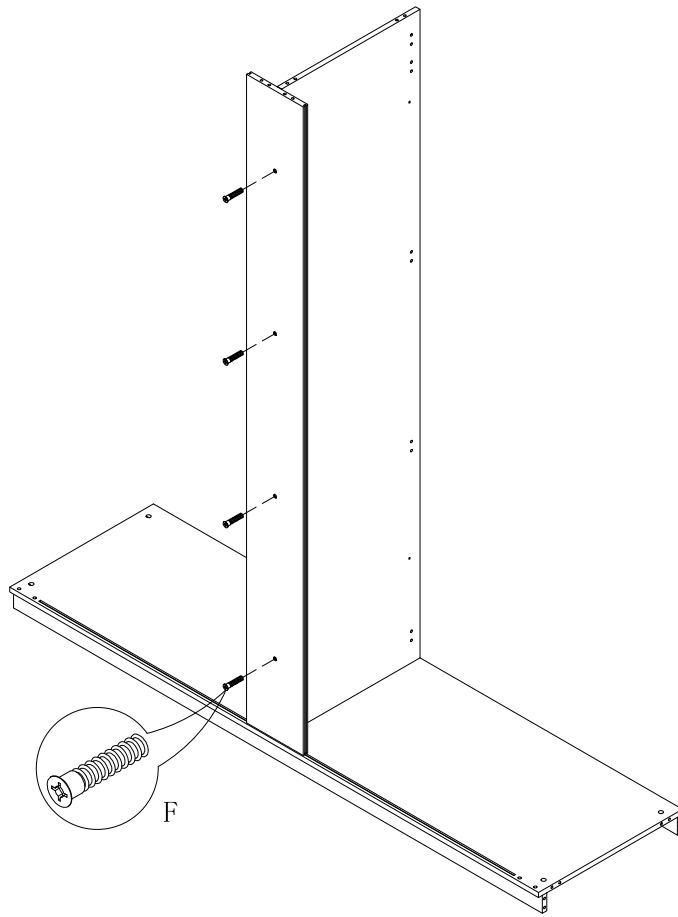


3



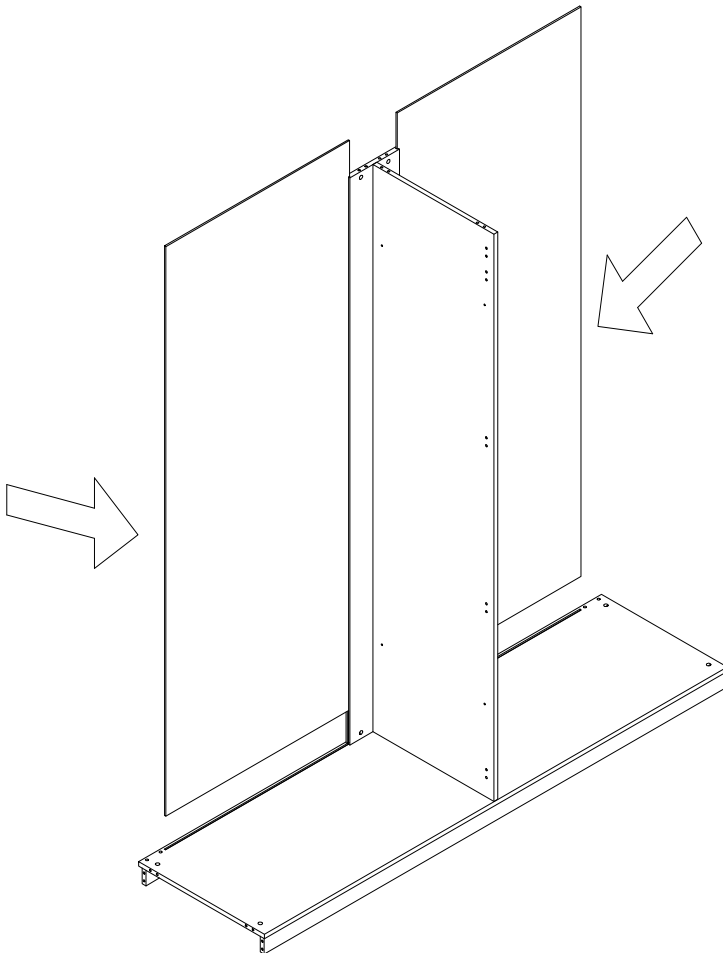
4



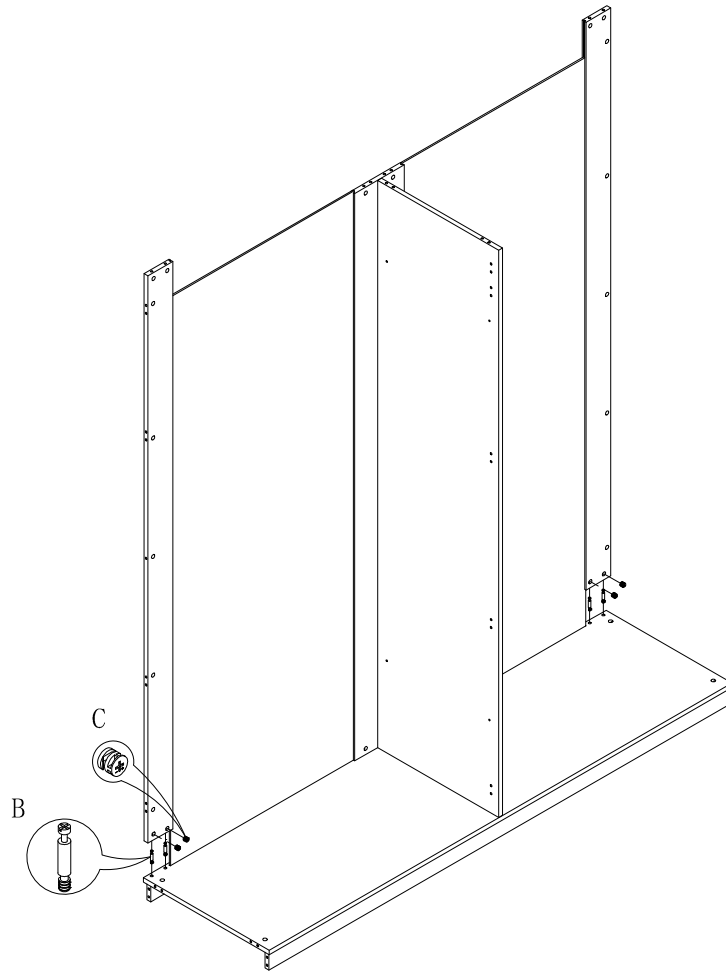


5

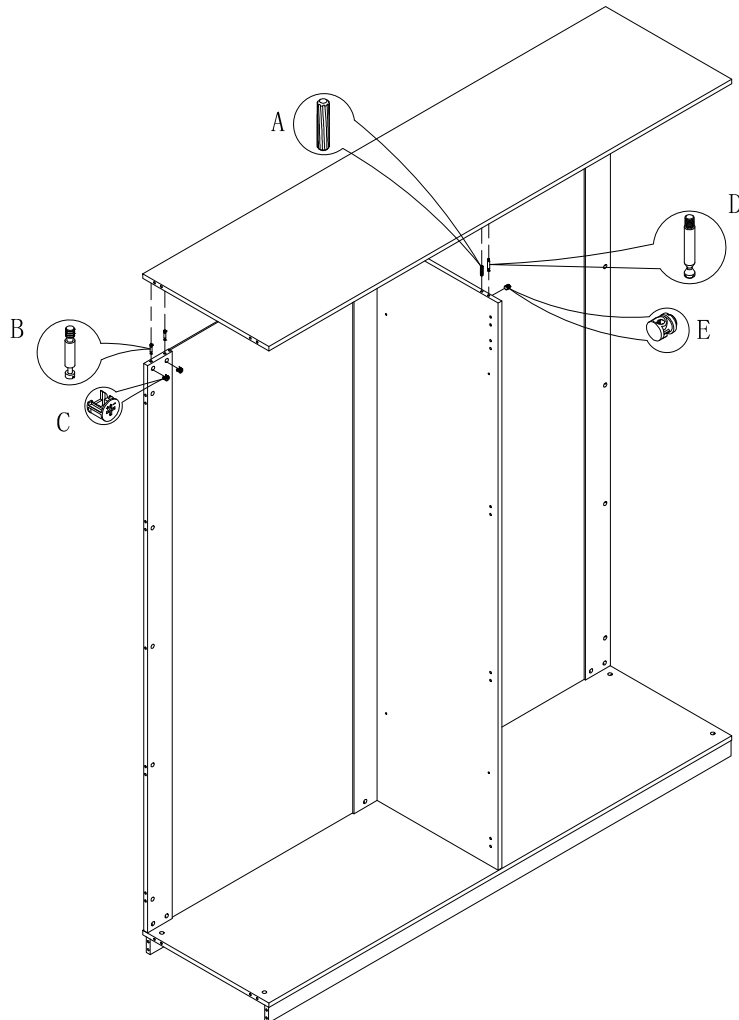
6

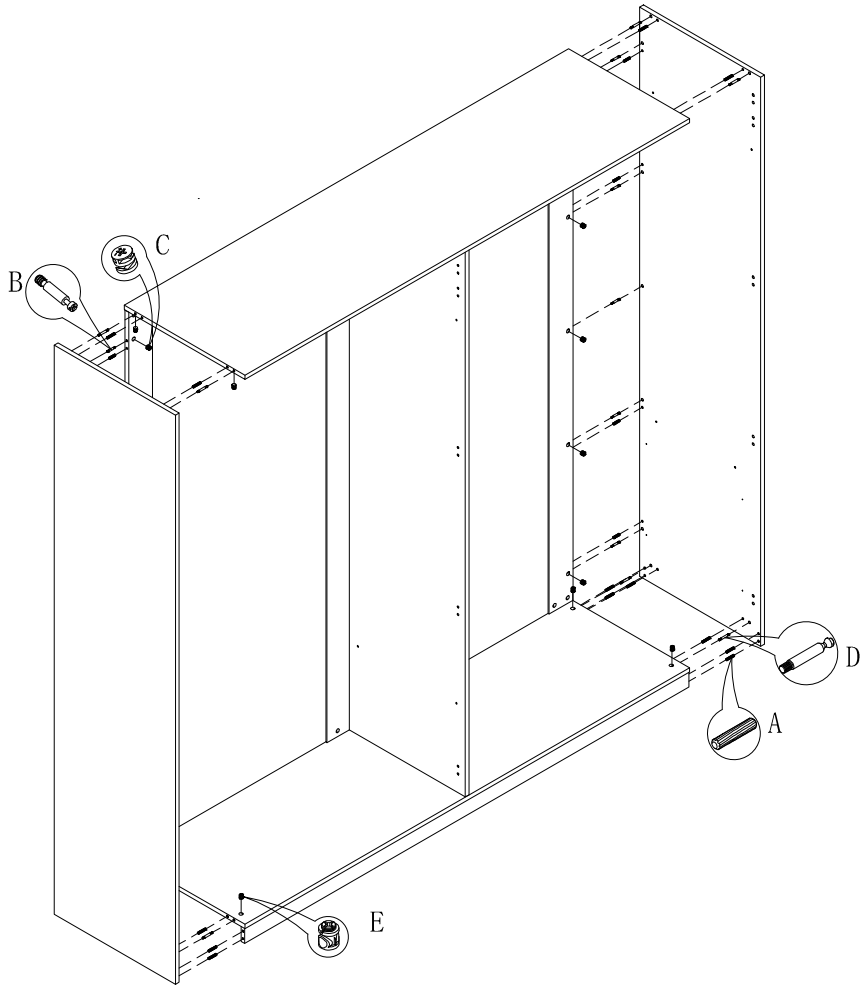


7



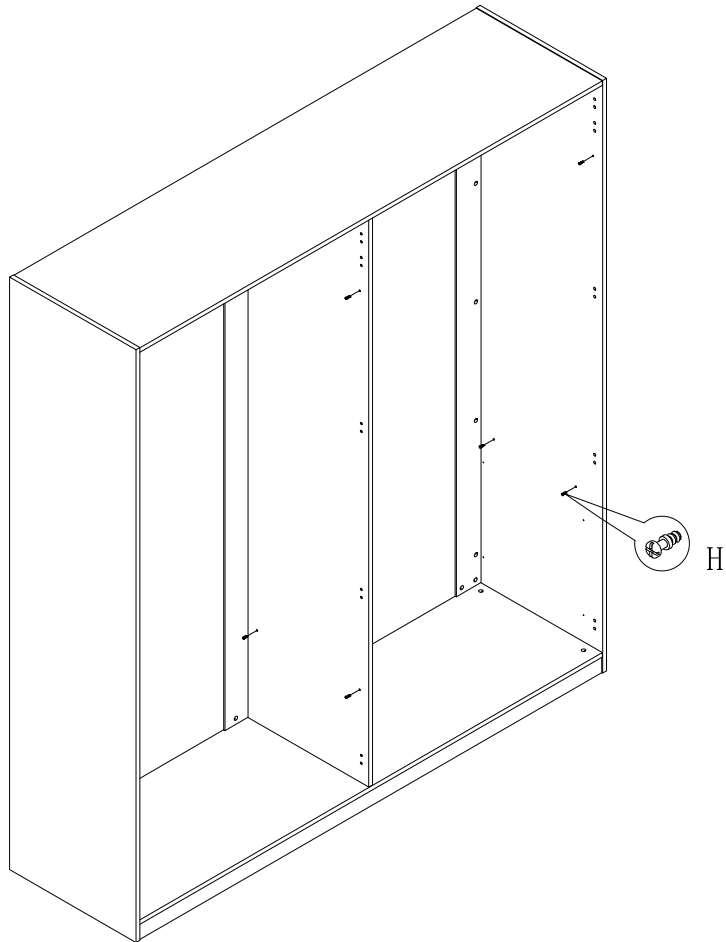
8



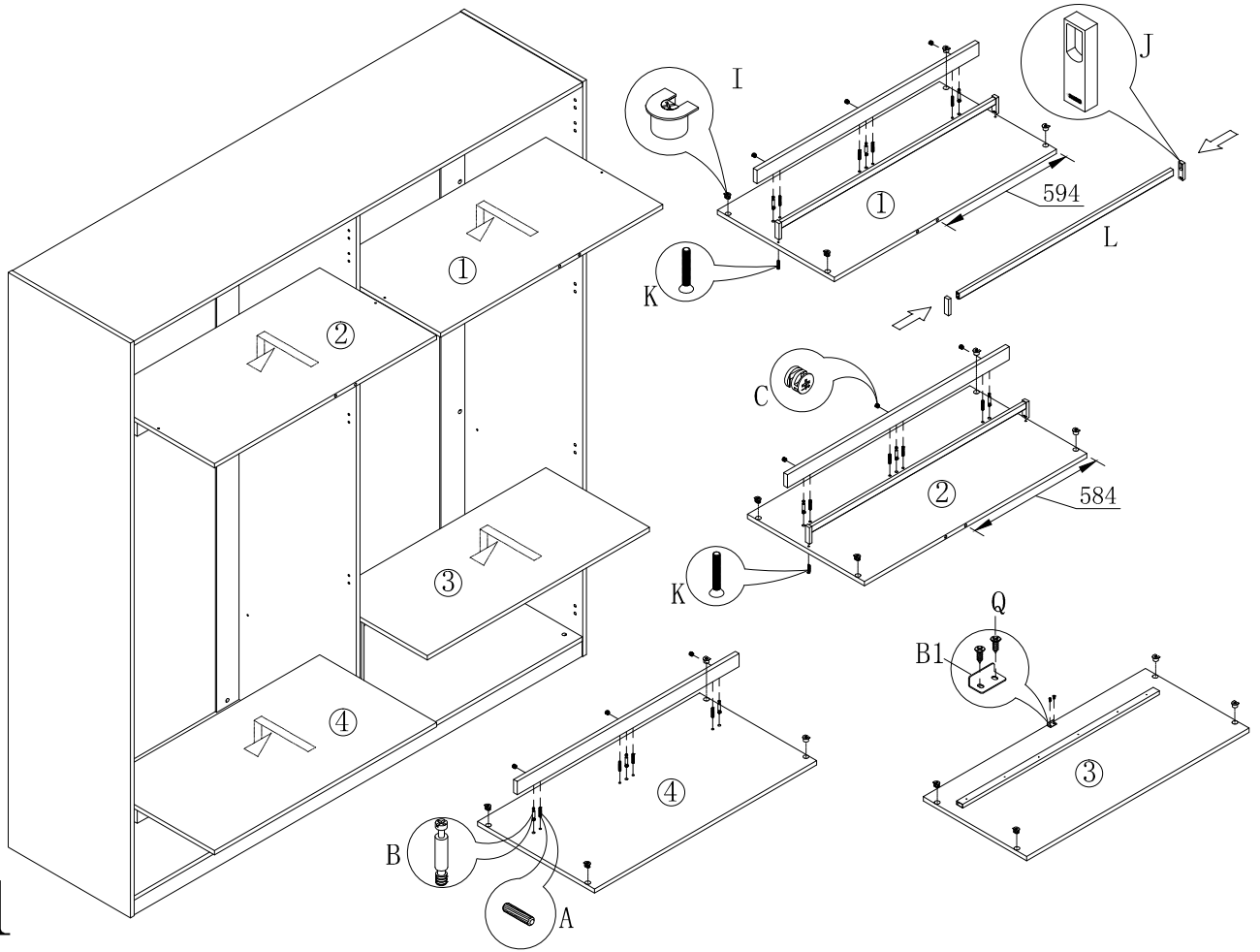


9

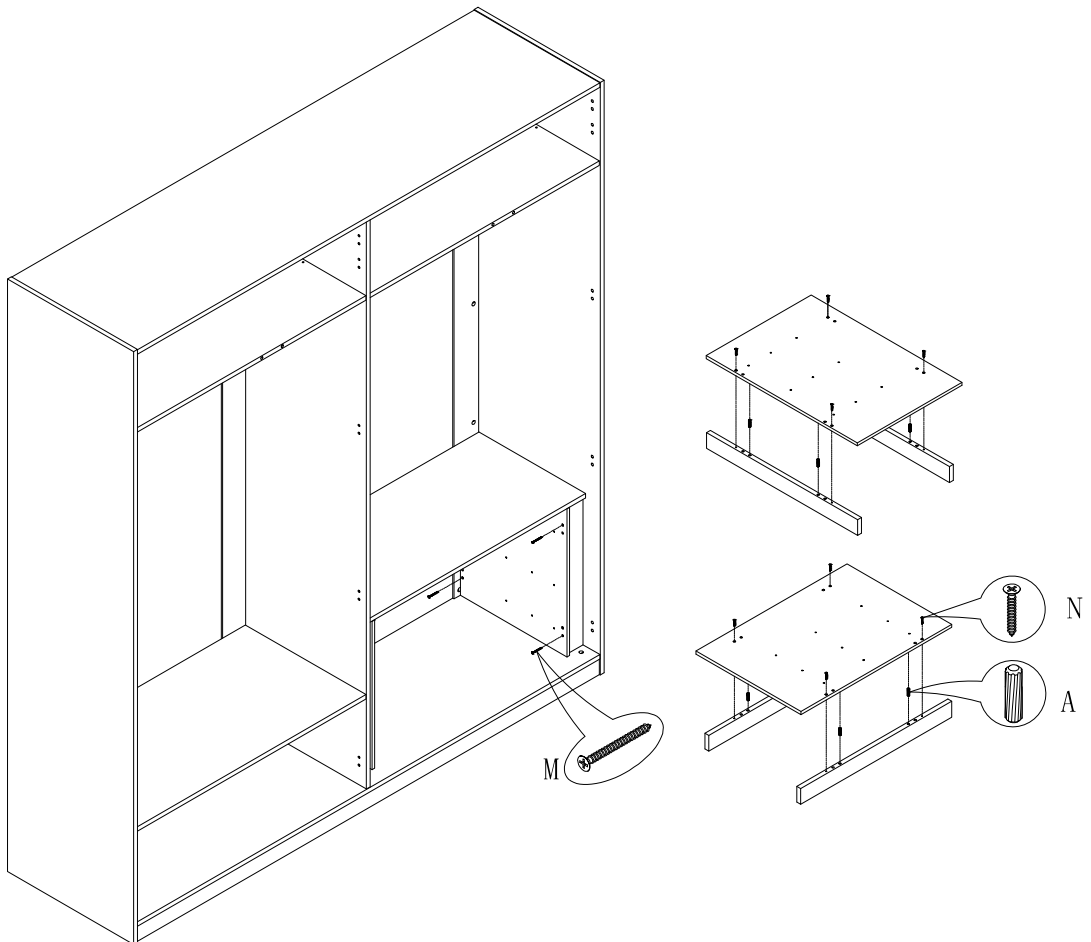
10



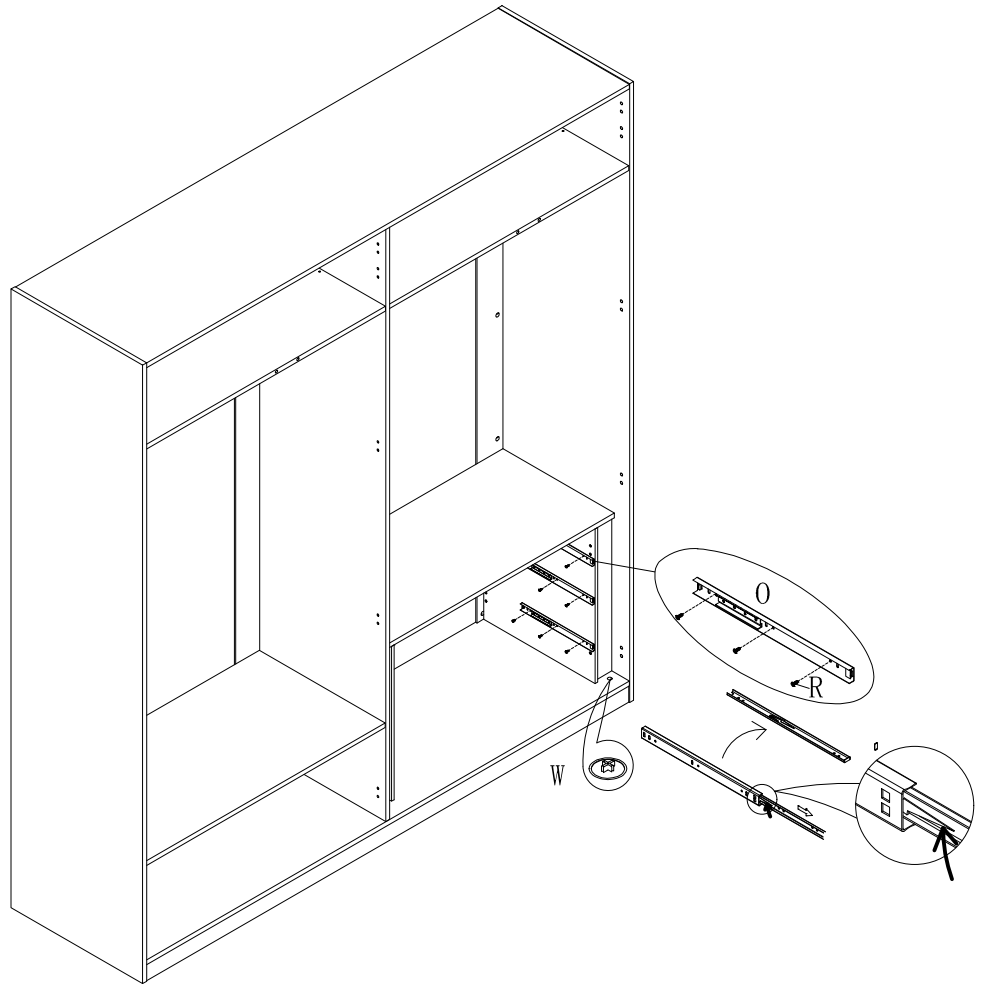
11



12

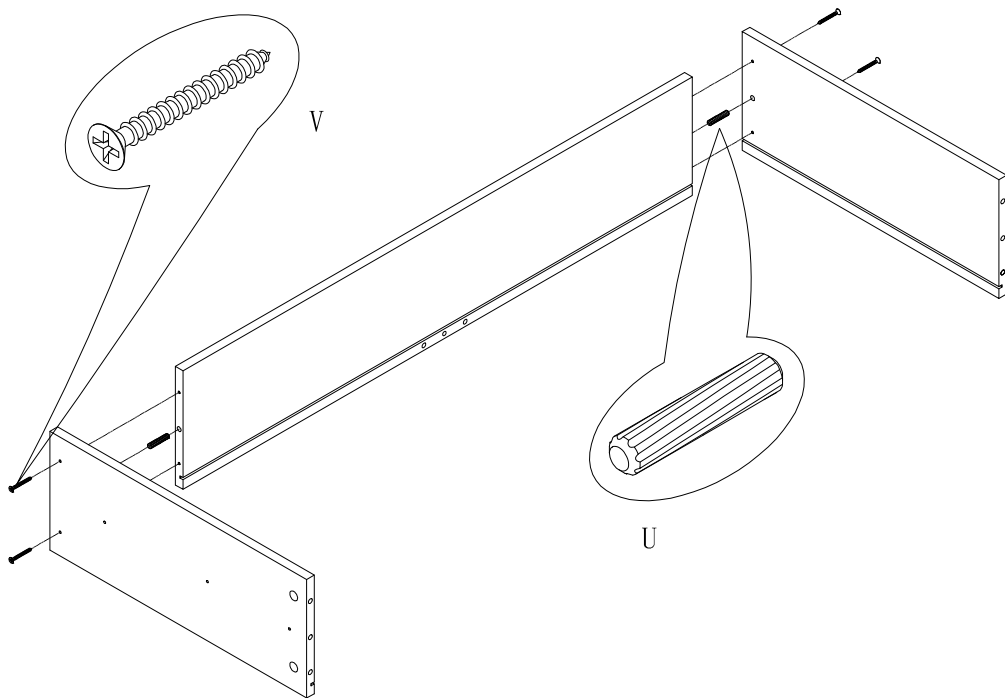


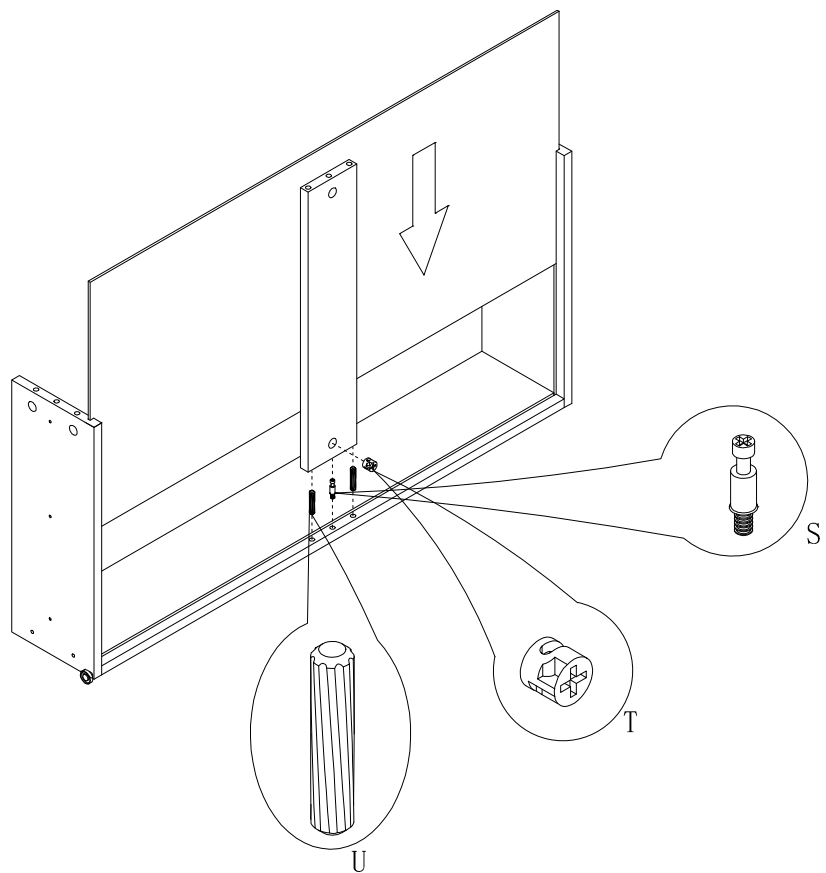




13

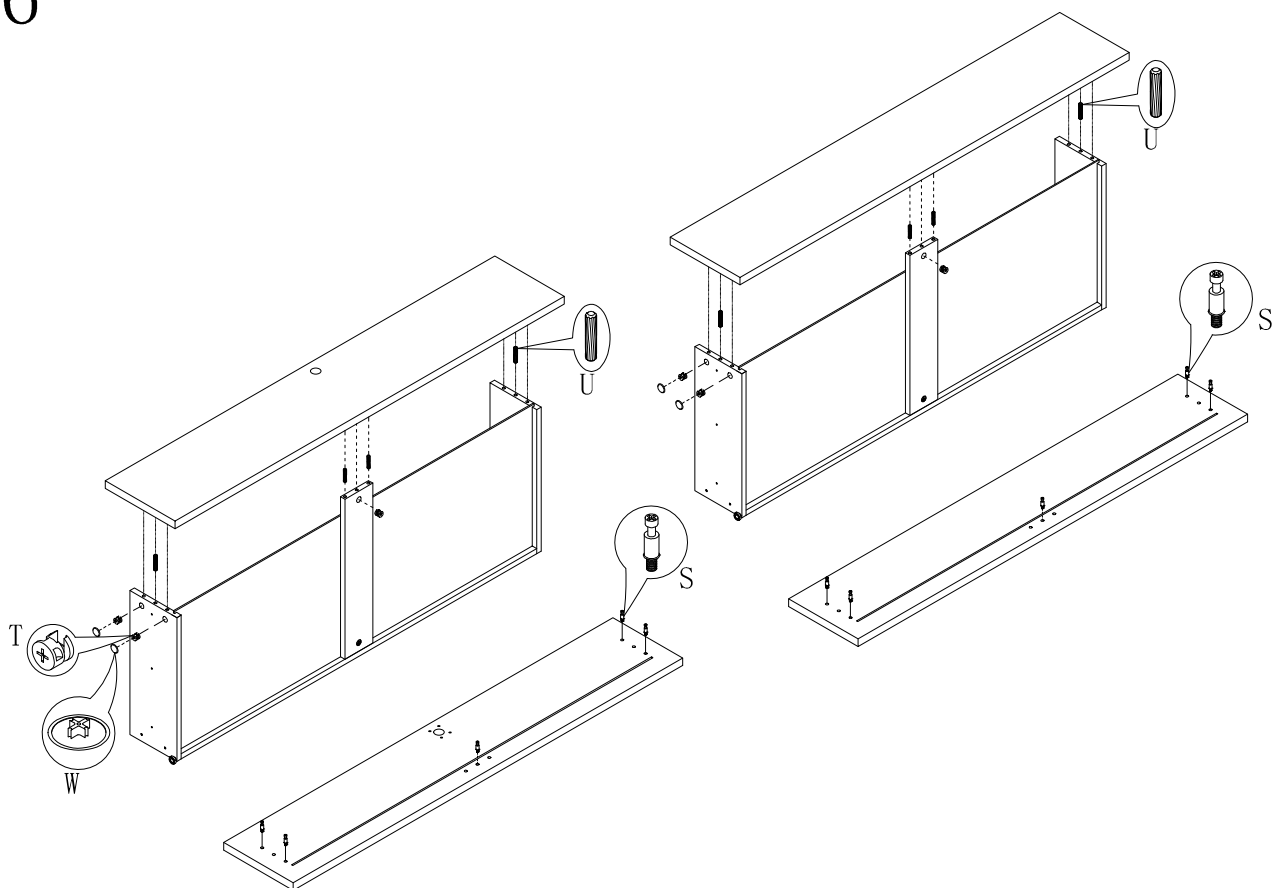
14

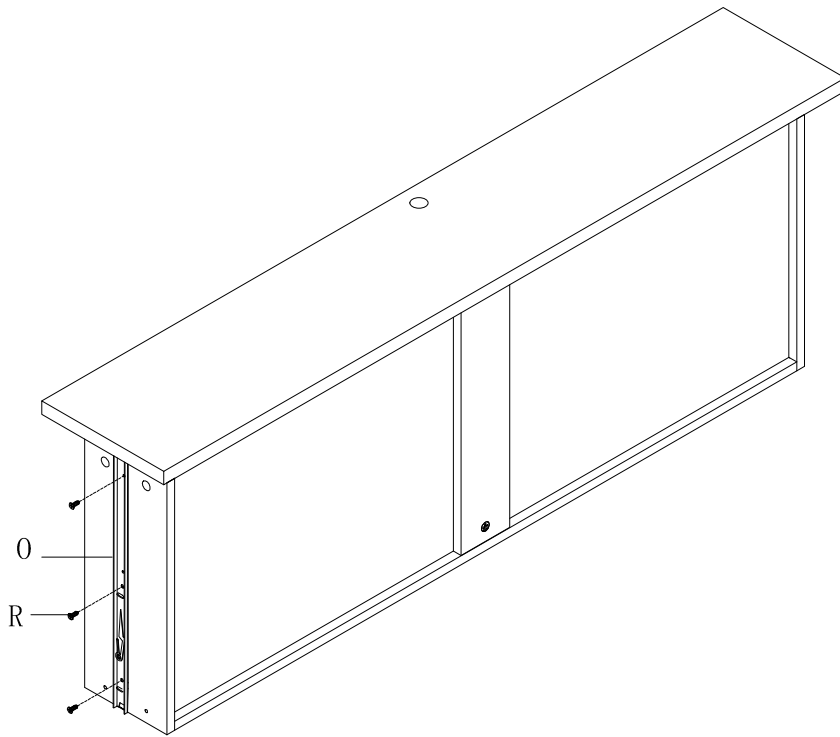




15

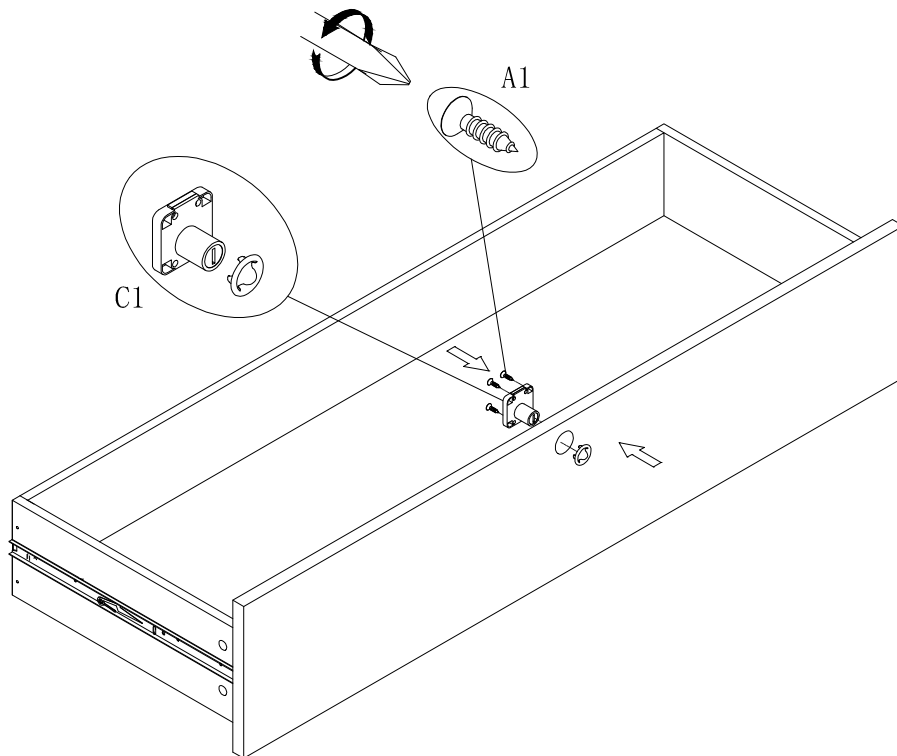
16

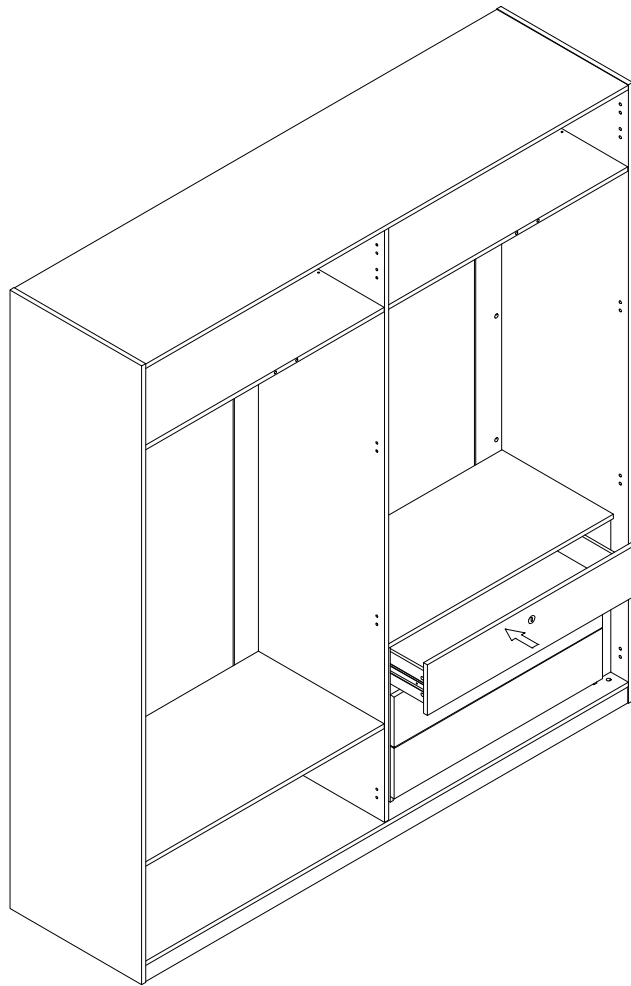




17

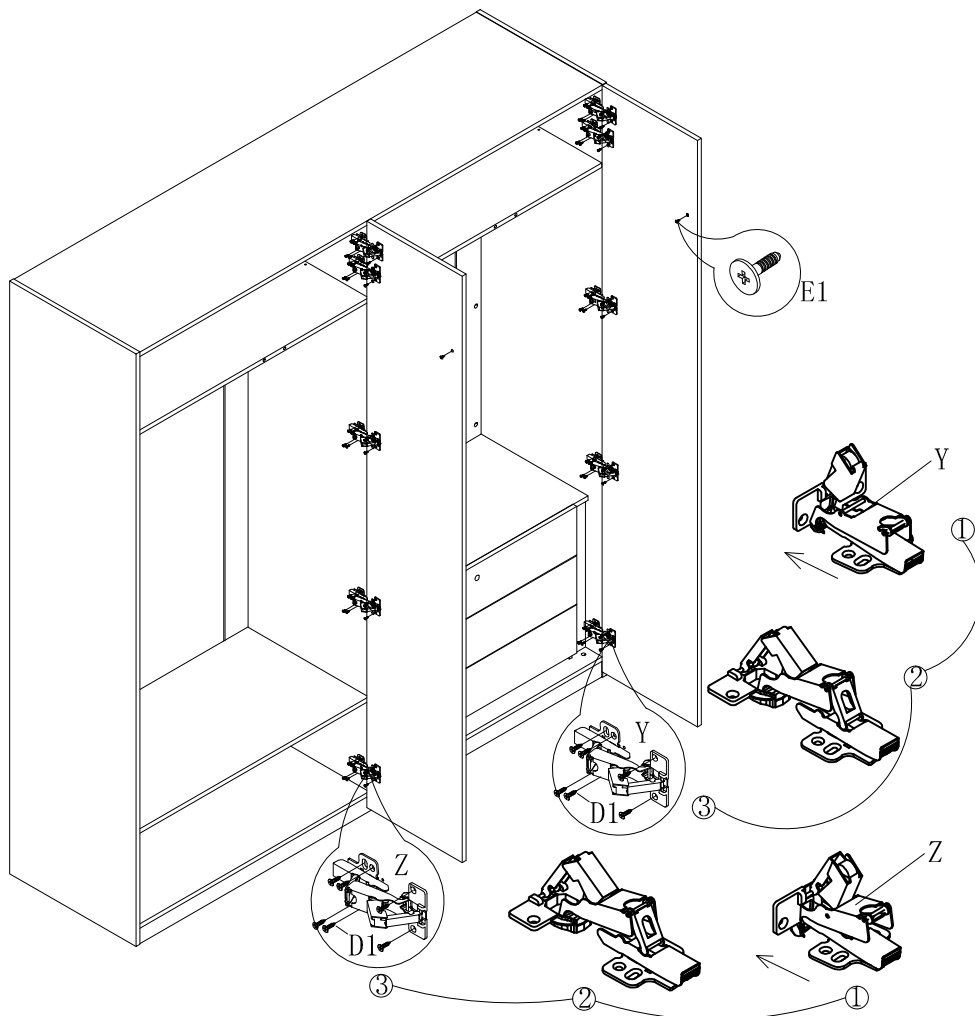
18





19

20



21

