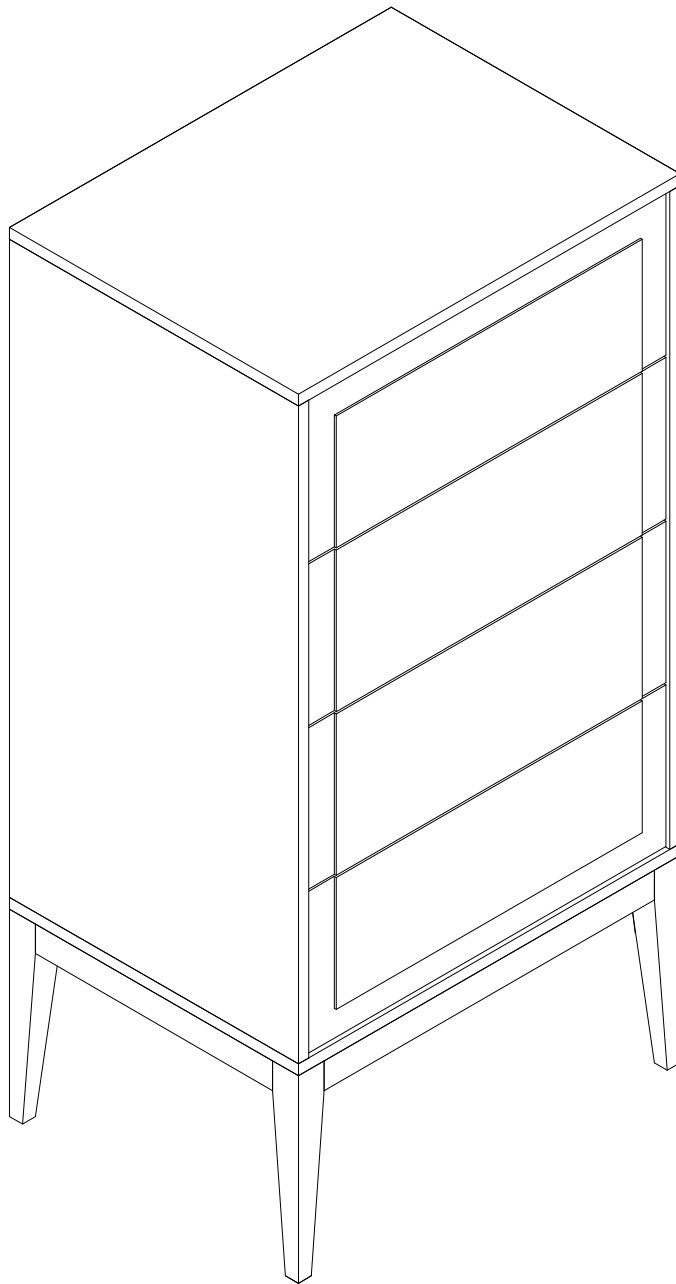


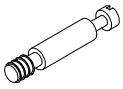
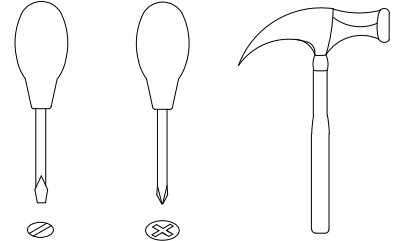
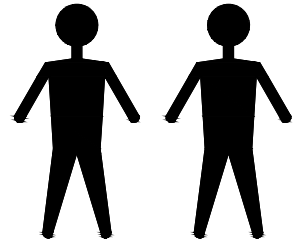
MOD
interiors

CP1709A4



EAC

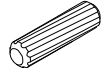
CP1709A4



A x12
Spec: $\varnothing 7 * L30$



B x12
Spec: $\varnothing 15 * H12$



C x16
Spec: $\varnothing 8 * 30$



D x16
Spec: $\varnothing 6 * L28$



E x16
Spec: $\varnothing 12 * H9$



F x32
Spec: $\varnothing 6 * 30$



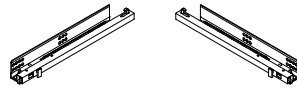
G x16
Spec: $\varnothing 6 * L8$



H x16
Spec: $\varnothing 3.5 * L35$



I x6
Spec: $\varnothing 3.8 * L38$



J x4
Spec: L400



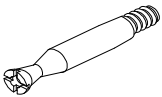
K x10
Spec: H13



L x10
Spec: $\varnothing 3.5 * L16$



M x28
Spec:



N x8
Spec: $\varnothing 7 * L48$



O x8
Spec: $\varnothing 15 * H15$



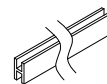
P x12
Spec:



Q x8
Spec: $\varnothing 8 * \varnothing 14$



R x4
Spec: M6*45



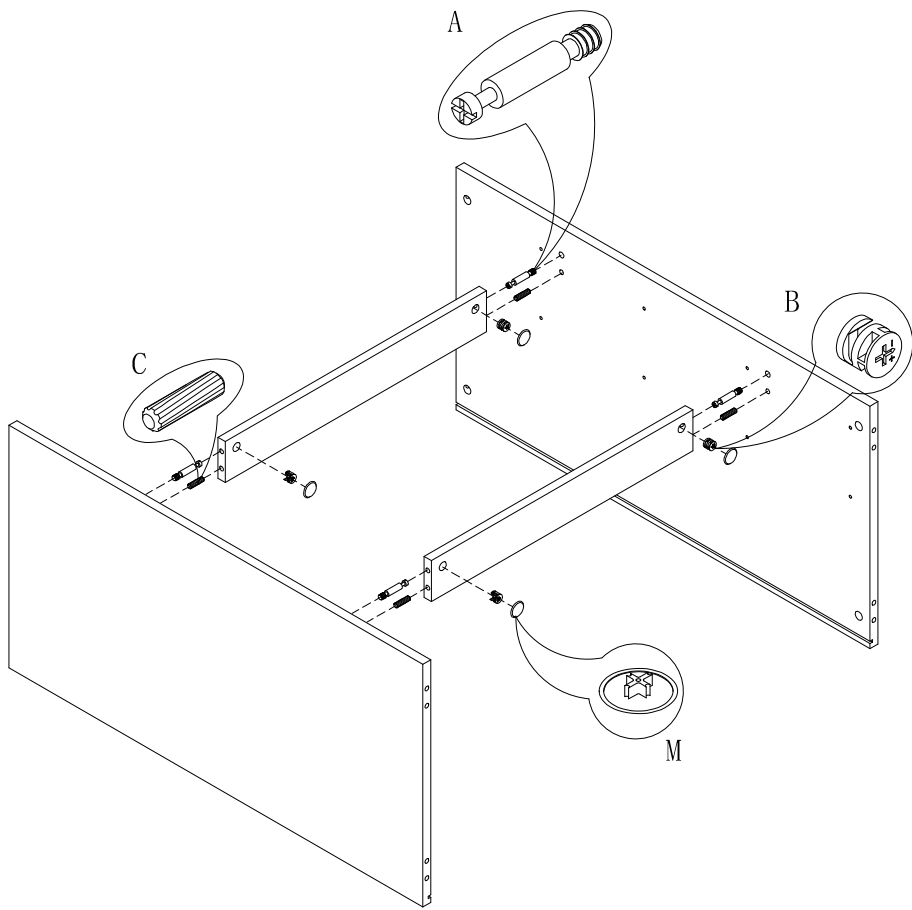
S x1
Spec: L560



T x4
Spec: M6*35

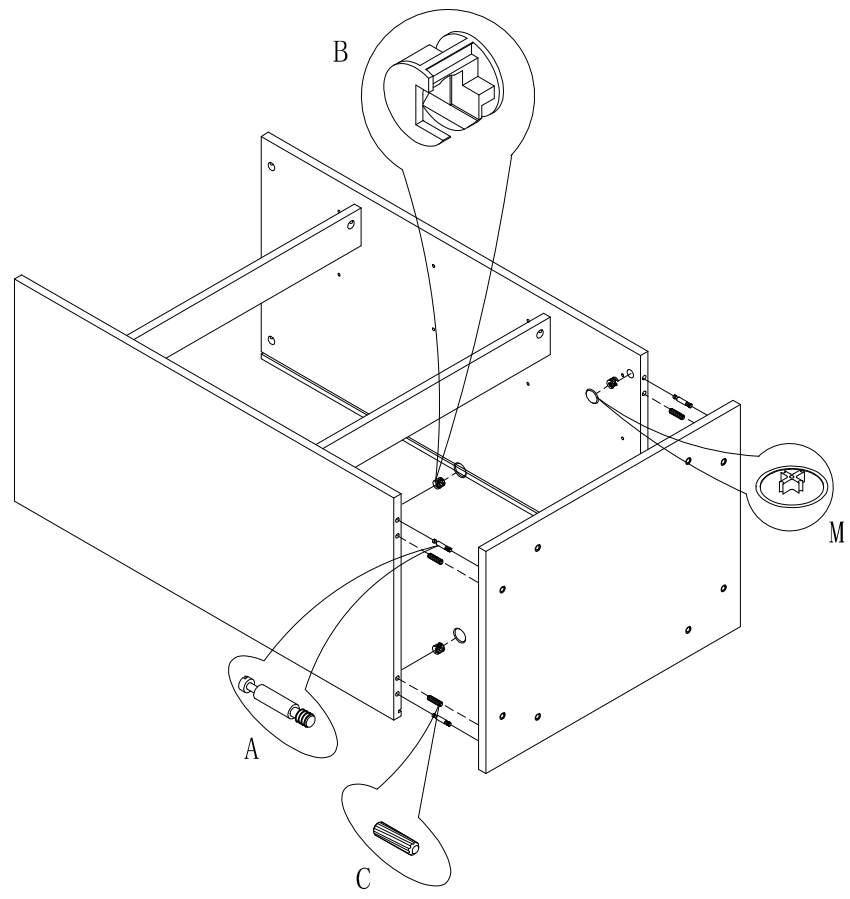


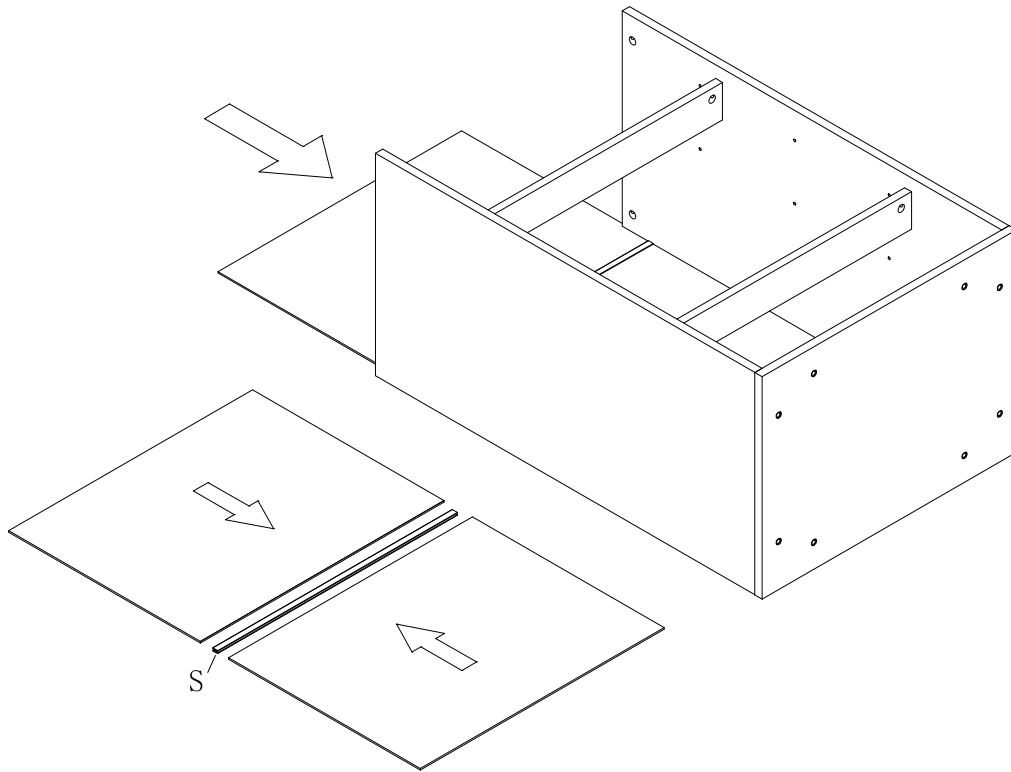
AAA x16
Spec: $\varnothing 3.8 * L12$



1

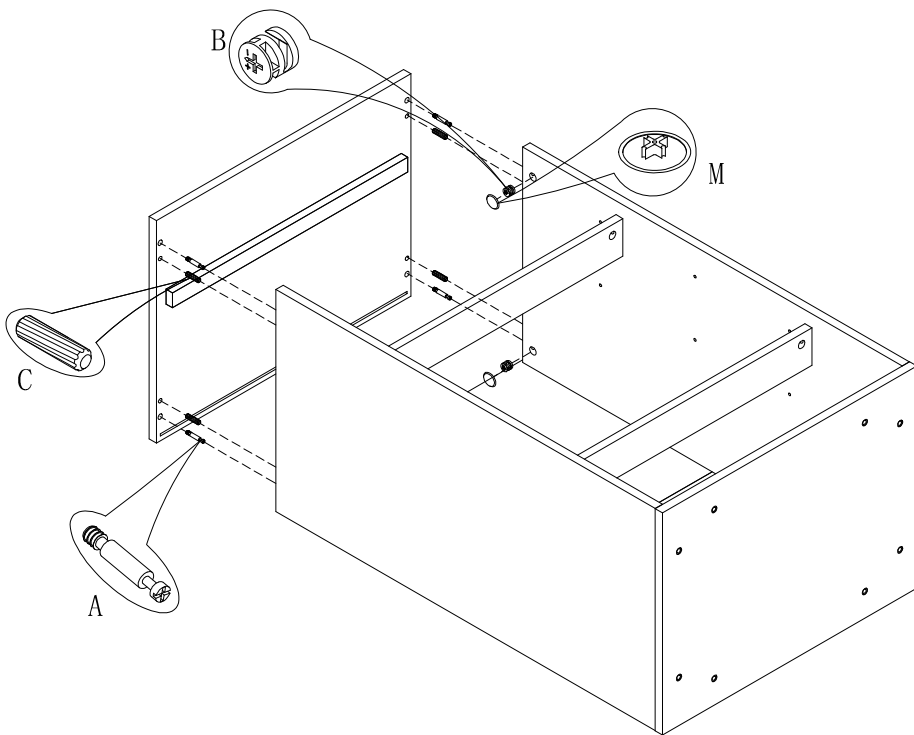
2

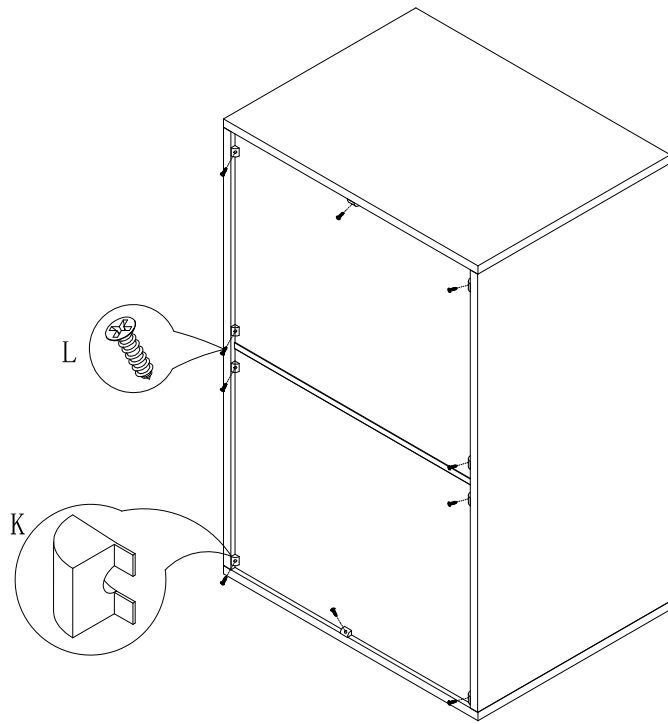




3

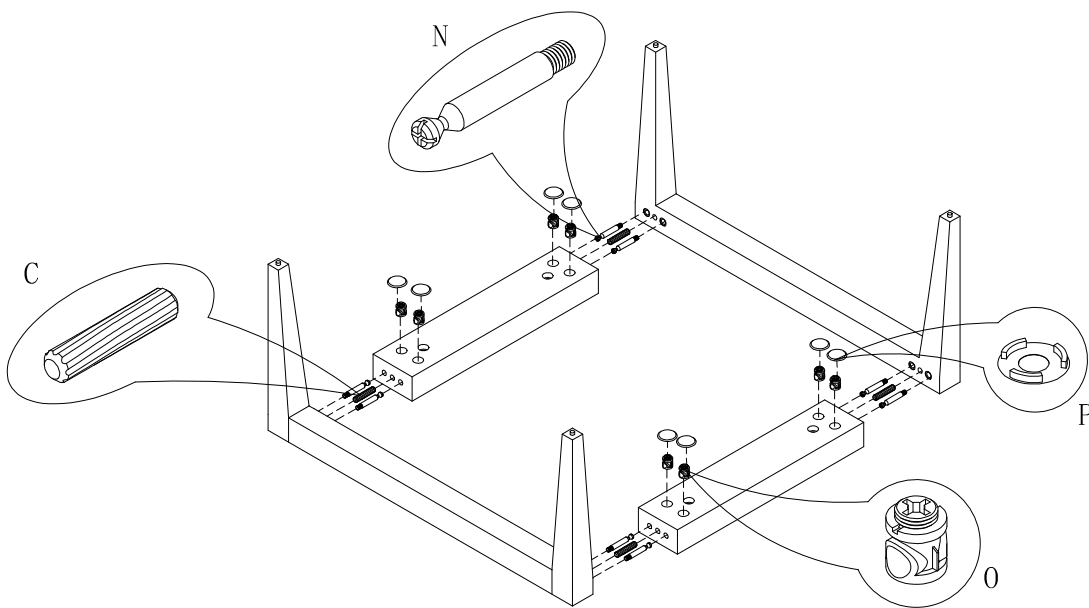
4

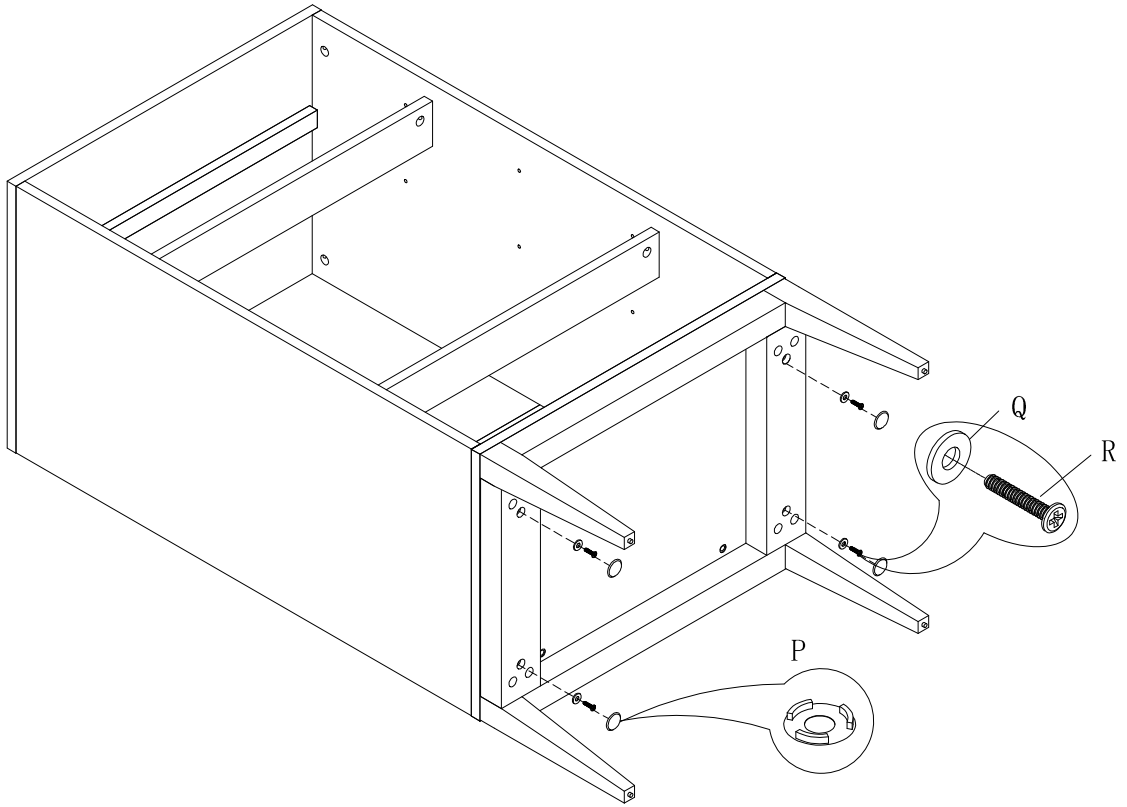




5

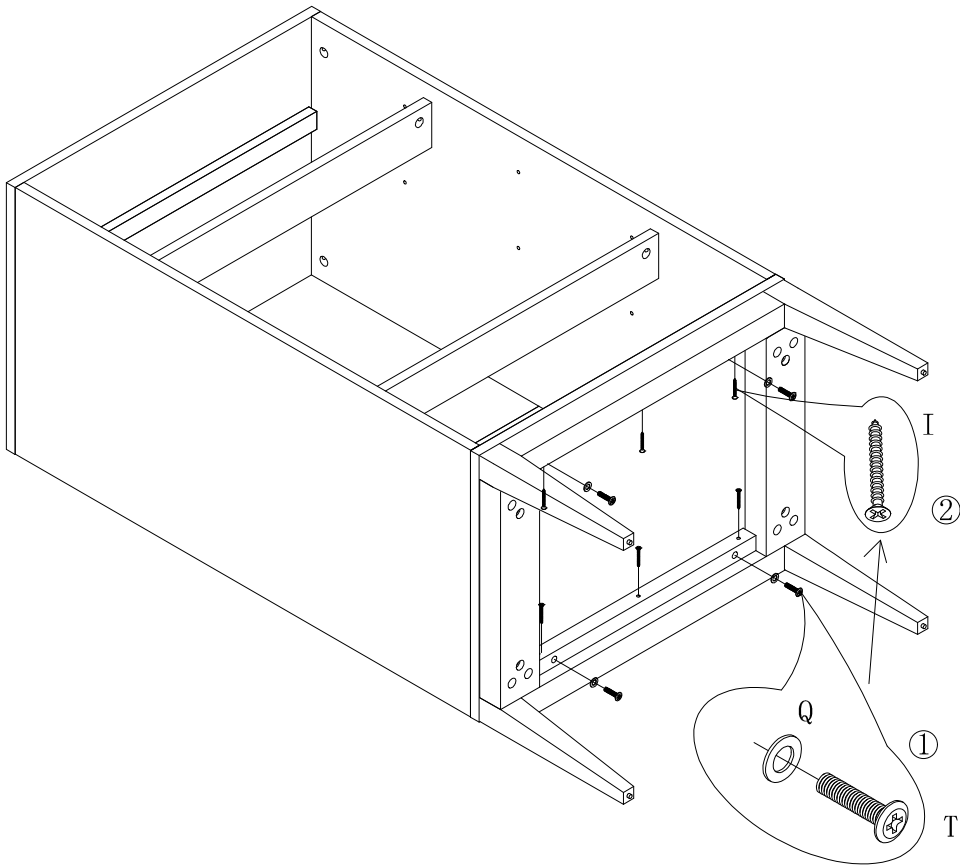
6

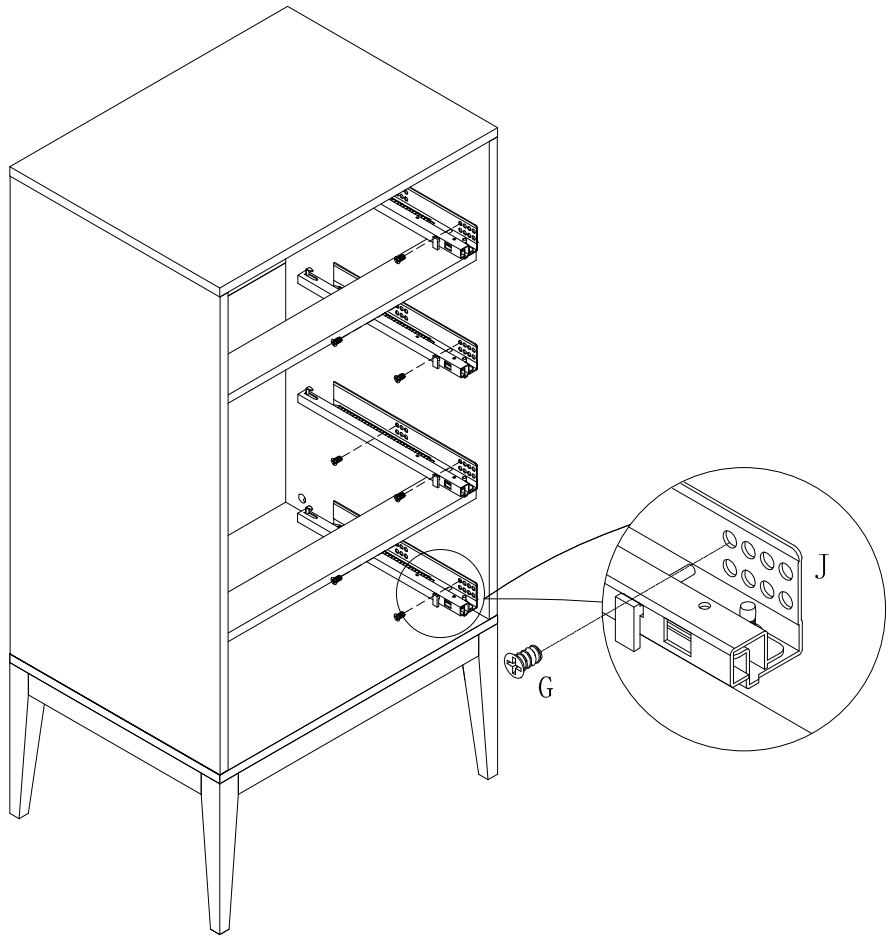




7

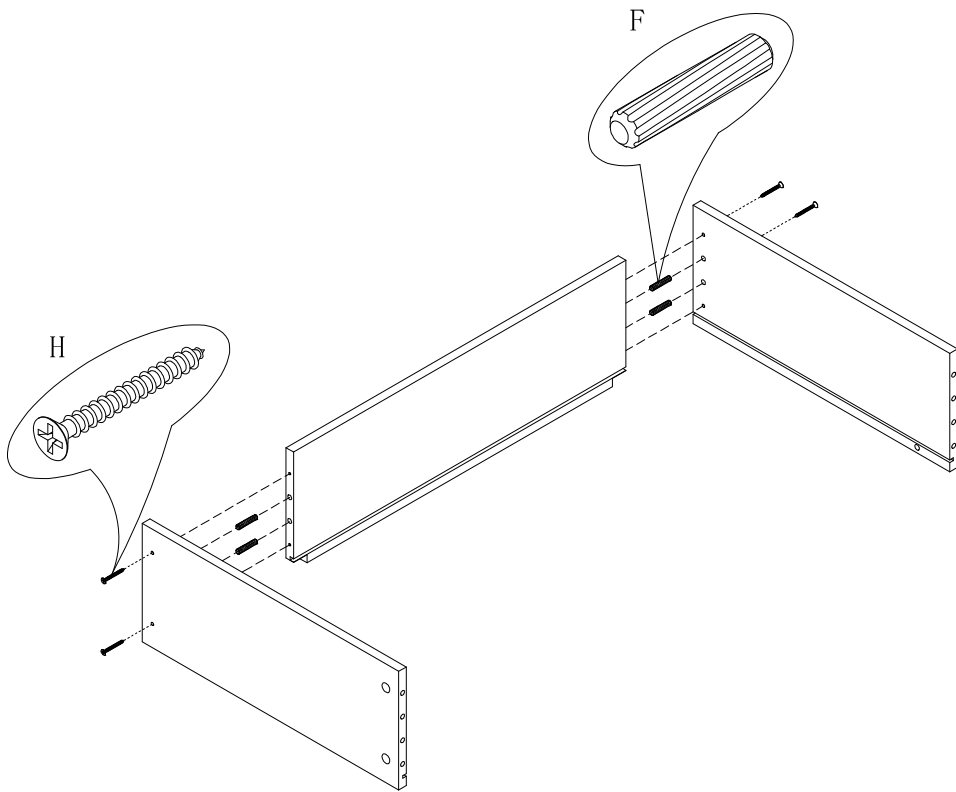
8

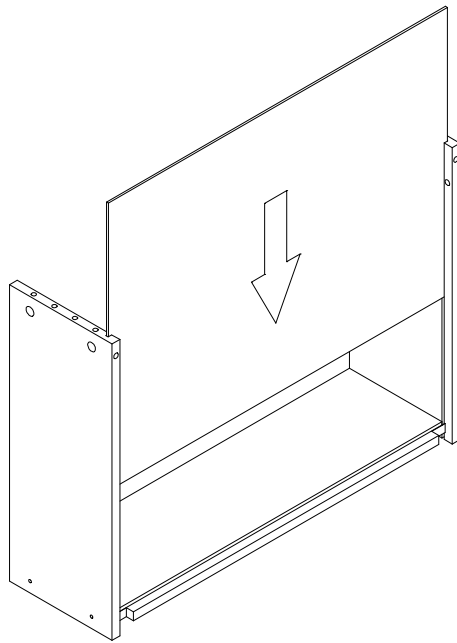




9

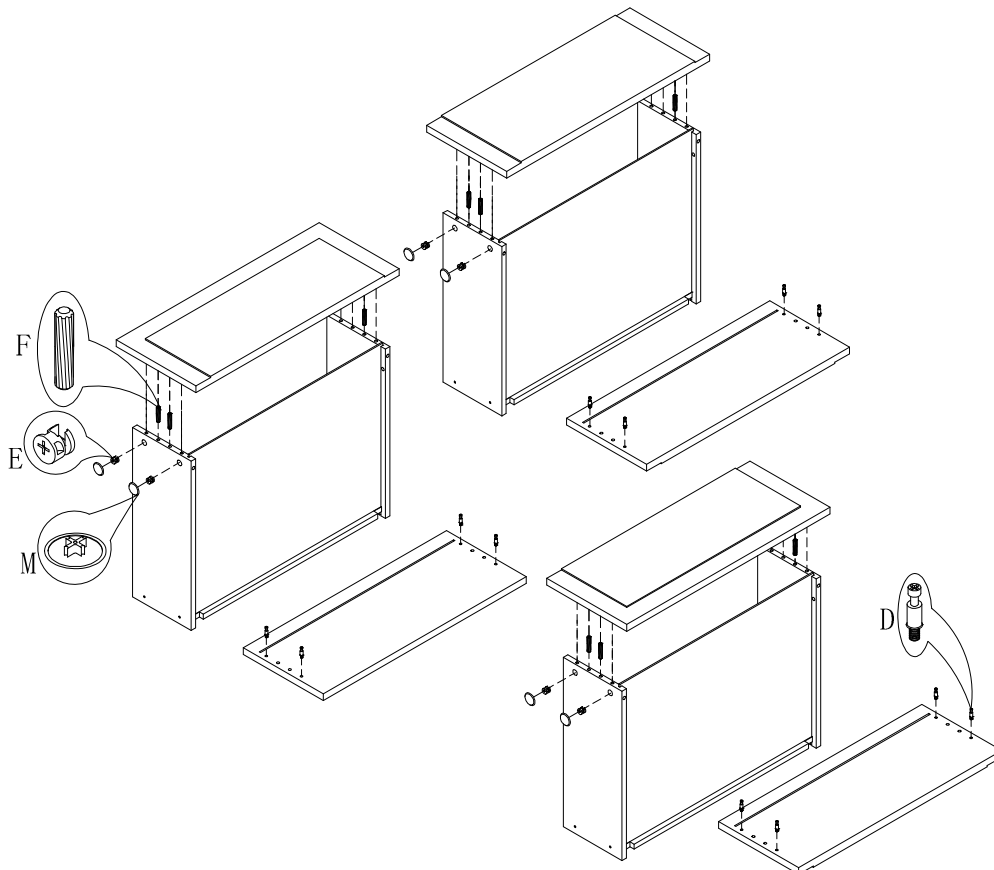
10

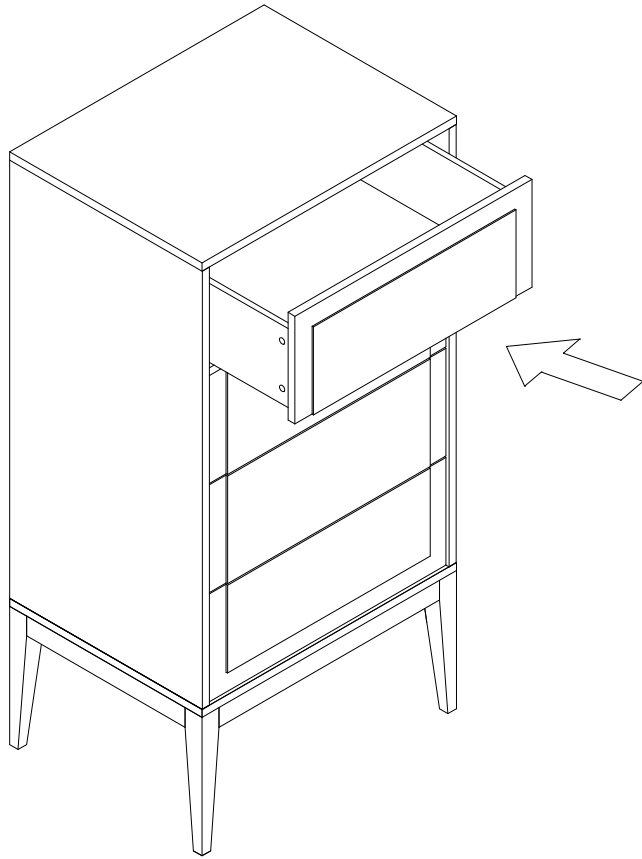




11

12





13
