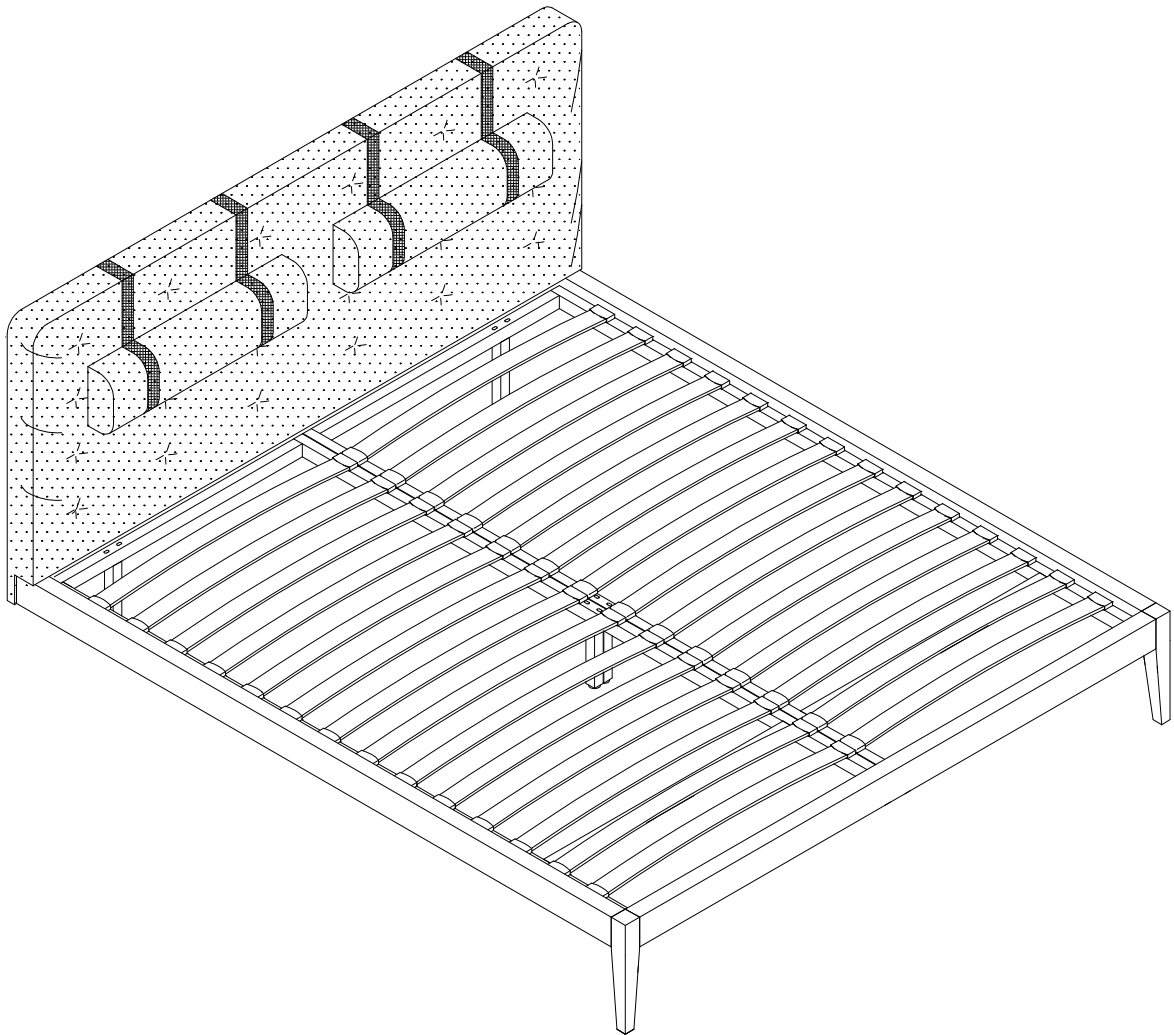


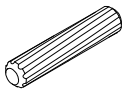
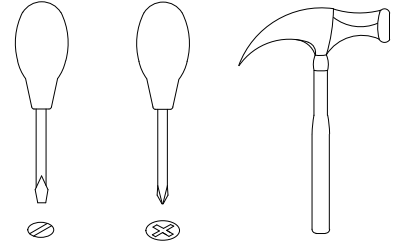
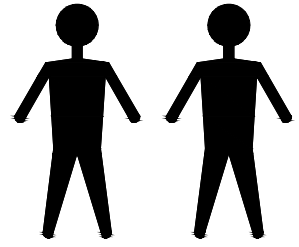
**MOD**  
interiors

# CP1709B4-FS-HA

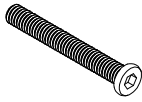


**EAC**

# # CP1709B4-FS-HA



A x12  
Spec:  $\phi 10 \times L40$



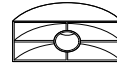
B x4  
Spec:  $5/16 \times L55$



C x4  
Spec:  $5/16 \times H18$



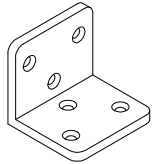
D x2  
Spec:  $M8 \times L95$



E x2  
Spec:



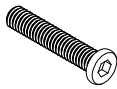
F x2  
Spec: M8



G x2  
Spec:  $50 \times 45 \times 45$



H x16  
Spec:  $M6 \times L45$



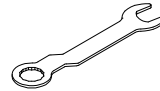
I x8  
Spec:  $5/16 \times L60$



J x4  
Spec:  $\phi 8 \times \phi 14$



K x24  
Spec:  $\phi 8 \times \phi 18$



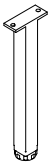
L x1  
Spec: 14#



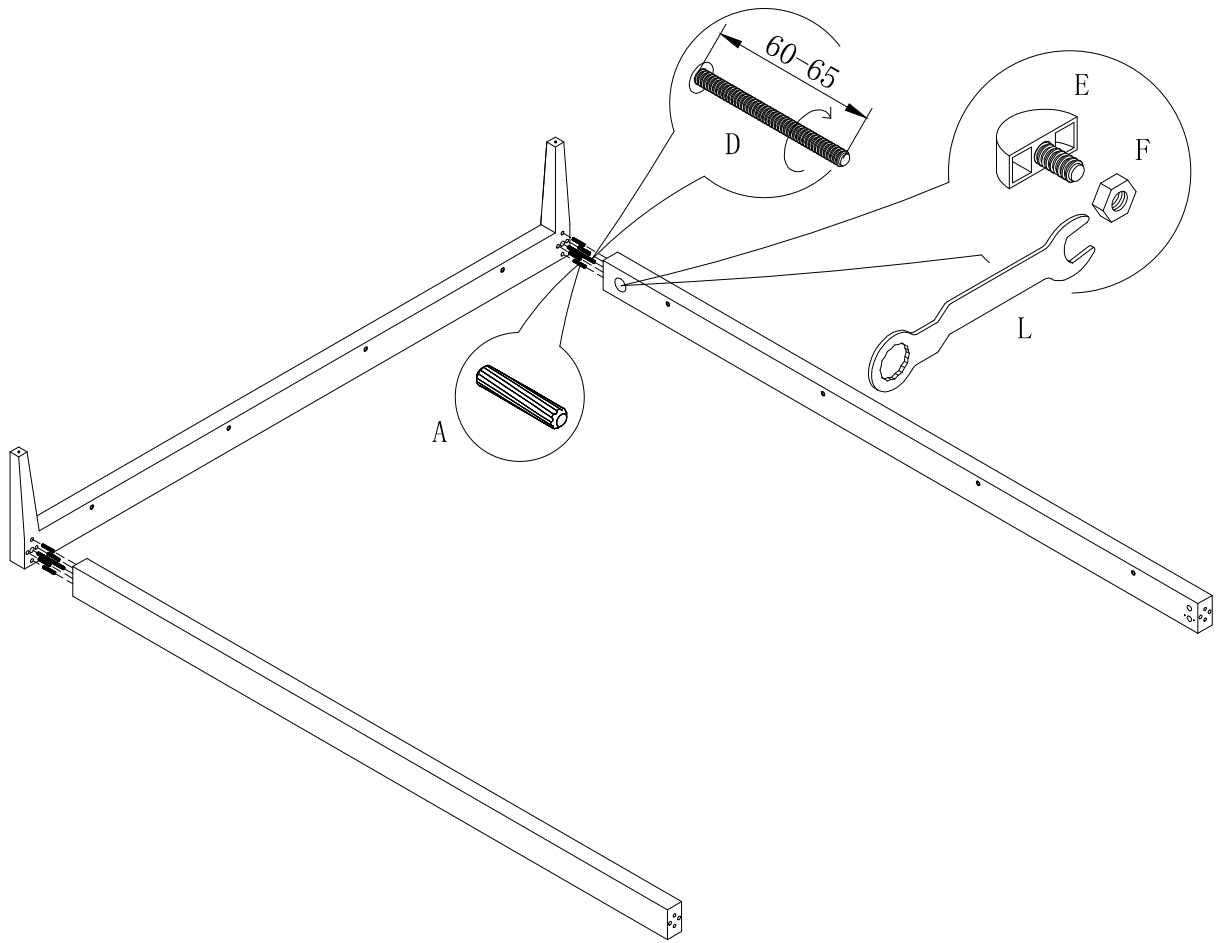
M x1  
Spec: 5#



N x12  
Spec:  $3.8 \times L16$

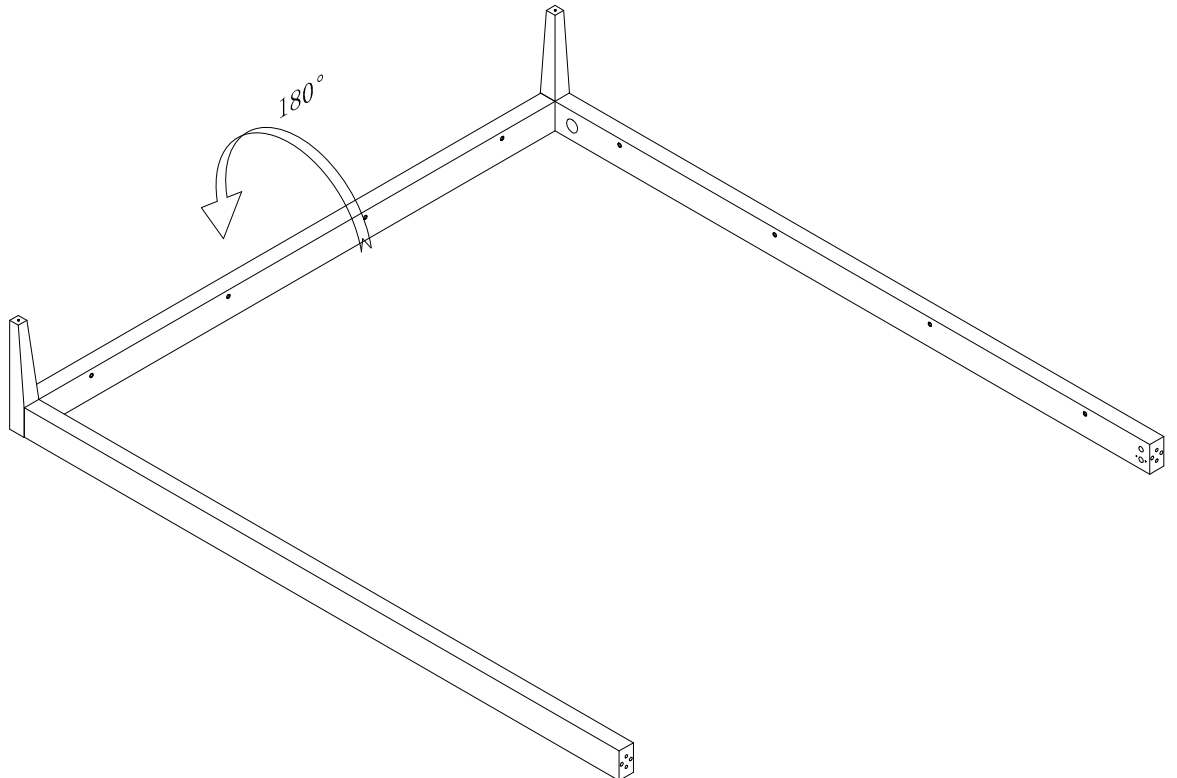


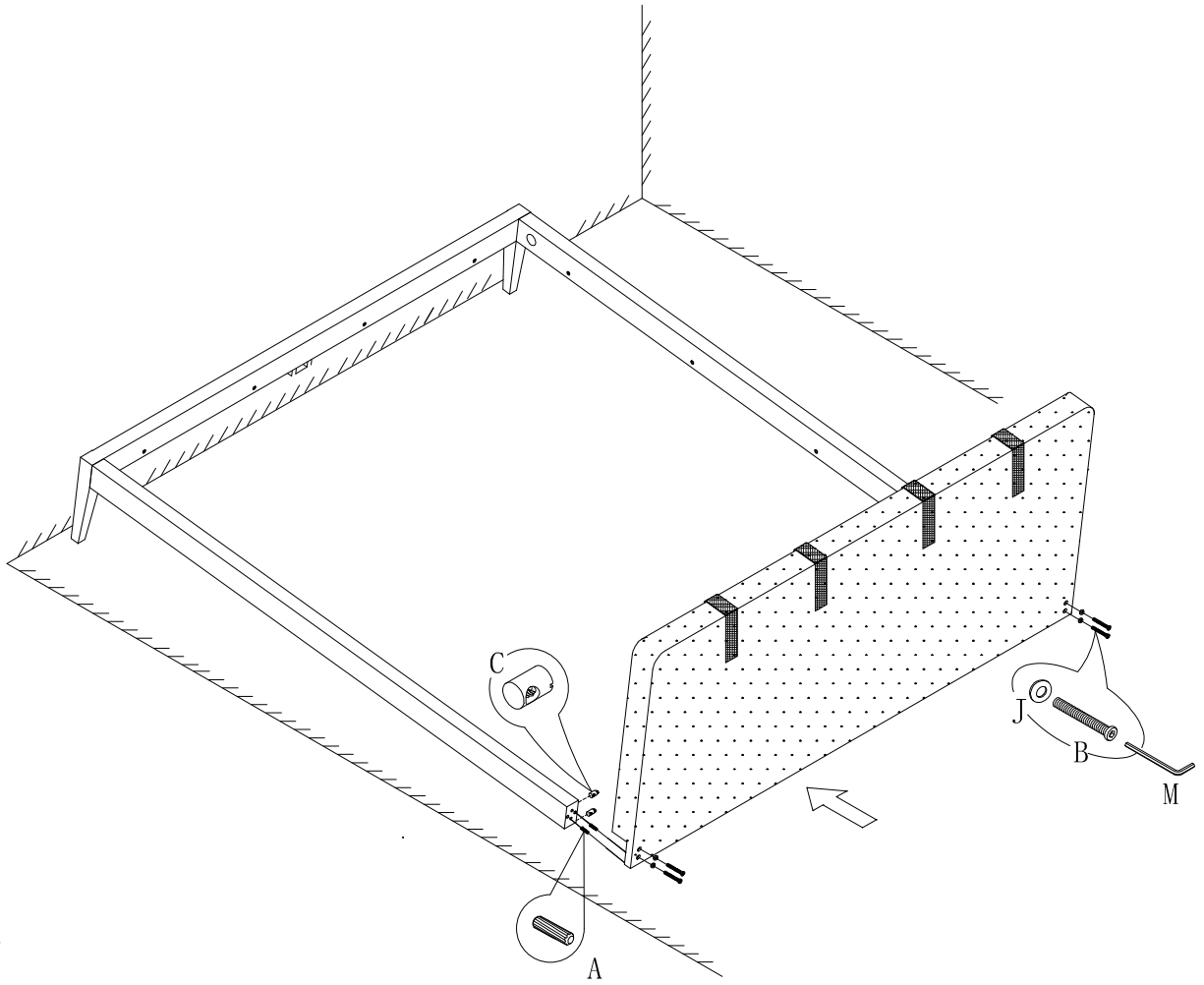
O x4  
Spec: L240



1

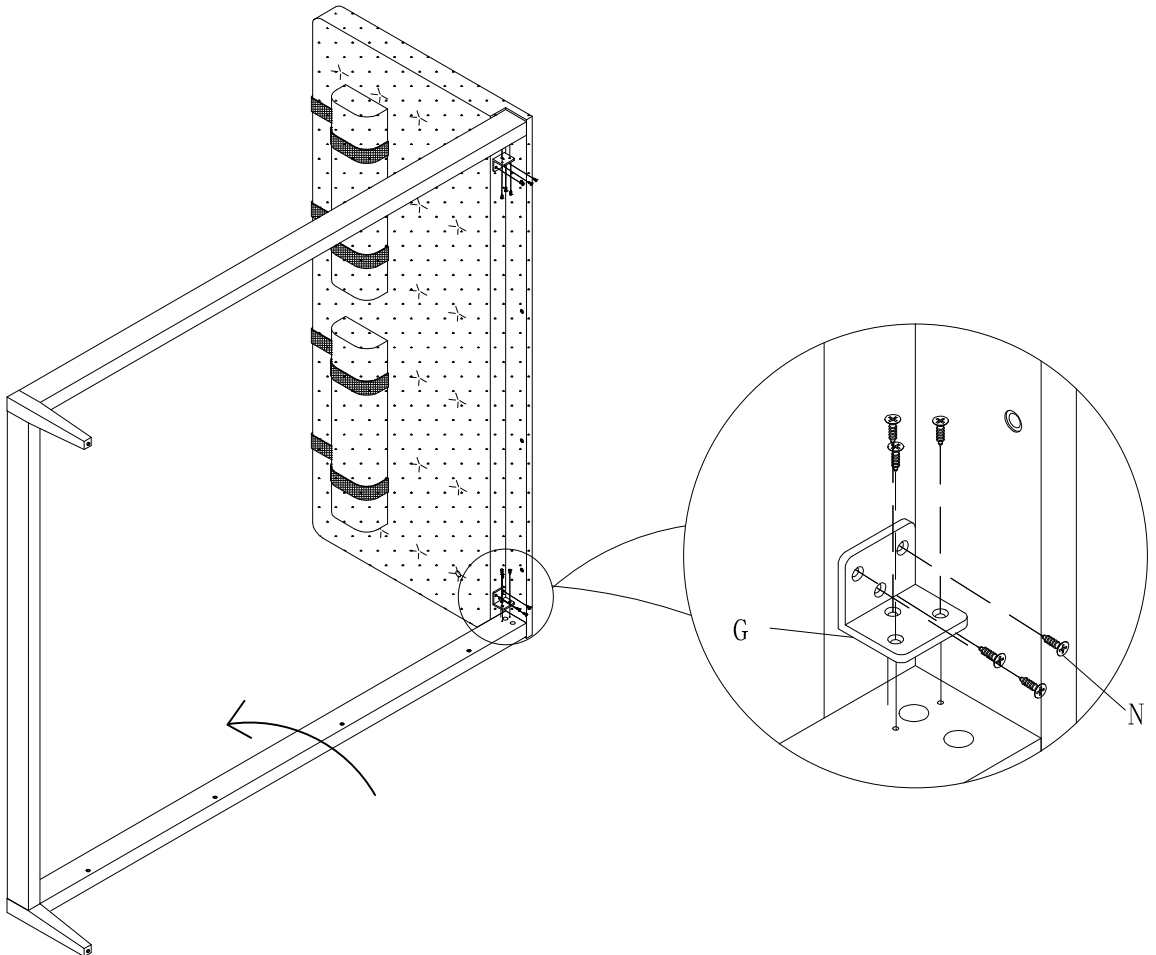
2

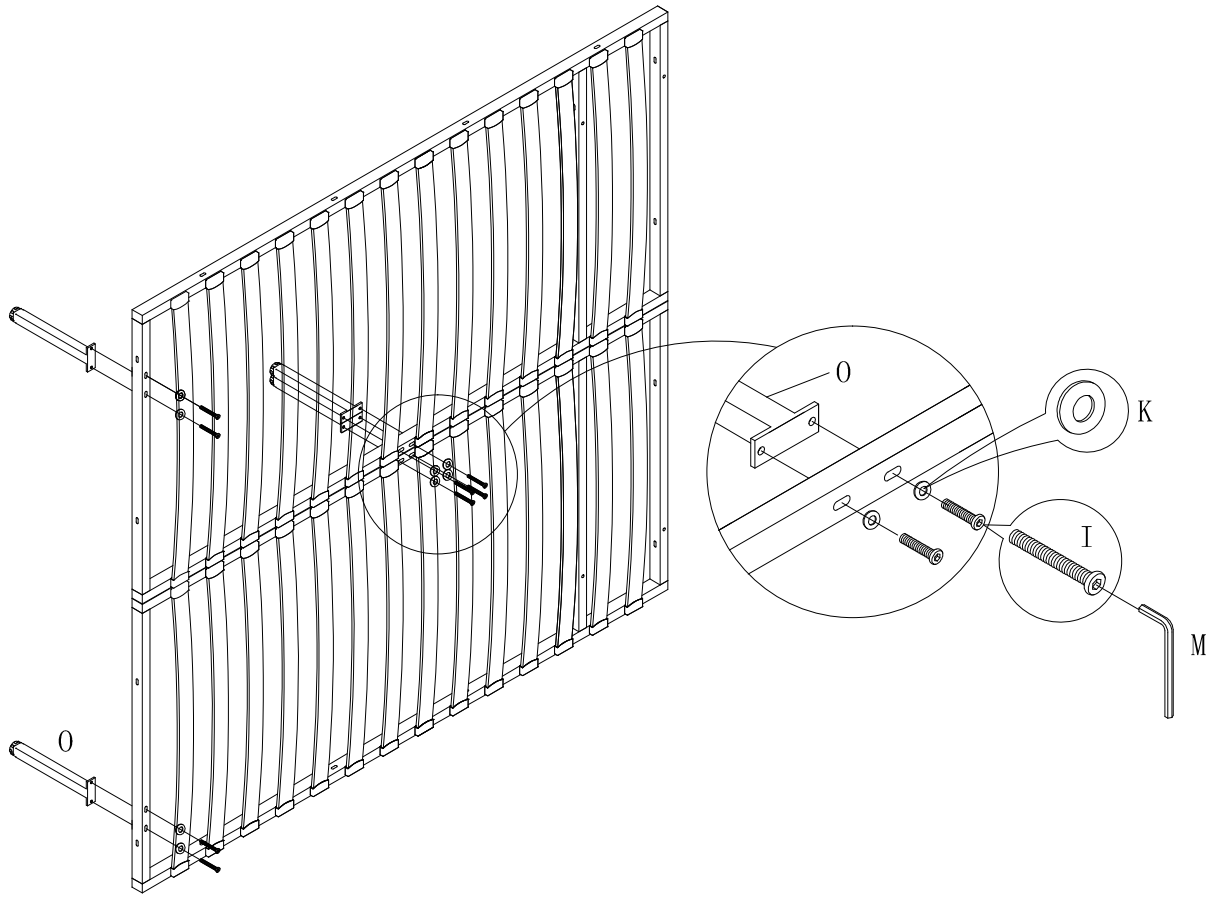




3

4





5

6

