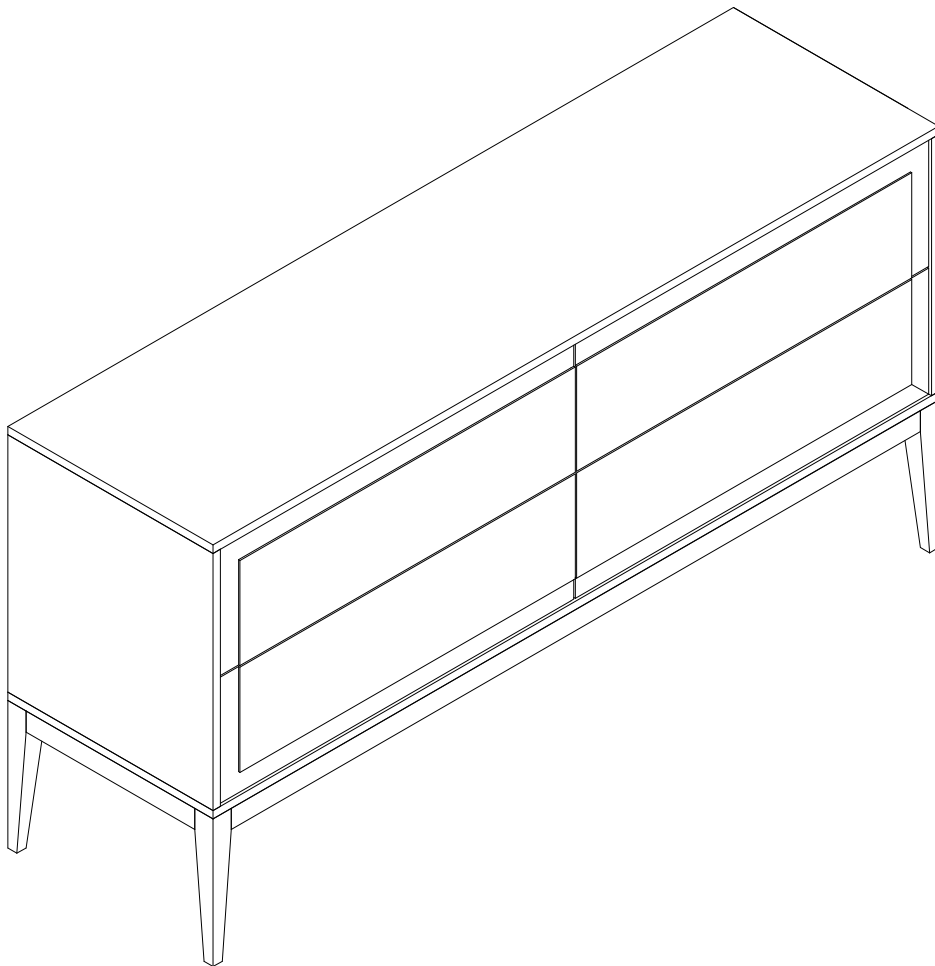


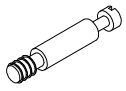
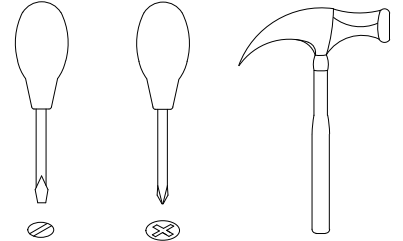
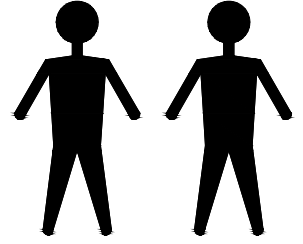
MOD
interiors

CP1709C4



EAC

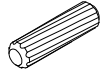
CP1709C4



A x14
Spec: $\varnothing 7 * L30$



B x16
Spec: $\varnothing 15 * H12$



C x20
Spec: $\varnothing 8 * 30$



D x24
Spec: $\varnothing 6 * L28$



E x24
Spec: $\varnothing 12 * H9$



F x48
Spec: $\varnothing 6 * 30$



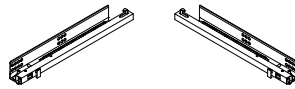
G x16
Spec: $\varnothing 6 * L8$



H x16
Spec: $\varnothing 3.5 * L35$



I x4
Spec: $\varnothing 3.5 * L20$



J x4
Spec: L400



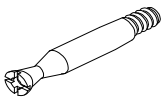
K x16
Spec: H13



L x16
Spec: $\varnothing 3.5 * L16$



M x40
Spec:



N x8
Spec: $\varnothing 7 * L48$



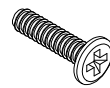
O x8
Spec: $\varnothing 15 * H15$



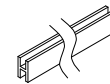
P x12
Spec:



Q x12
Spec: $\varnothing 8 * \varnothing 14$



R x4
Spec: M6*45



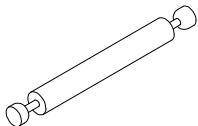
S x2
Spec: L769



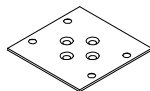
T x12
Spec: $\varnothing 3.8 * L38$



U x8
Spec: M6*35



V x1
Spec: $\varnothing 7 * L66$



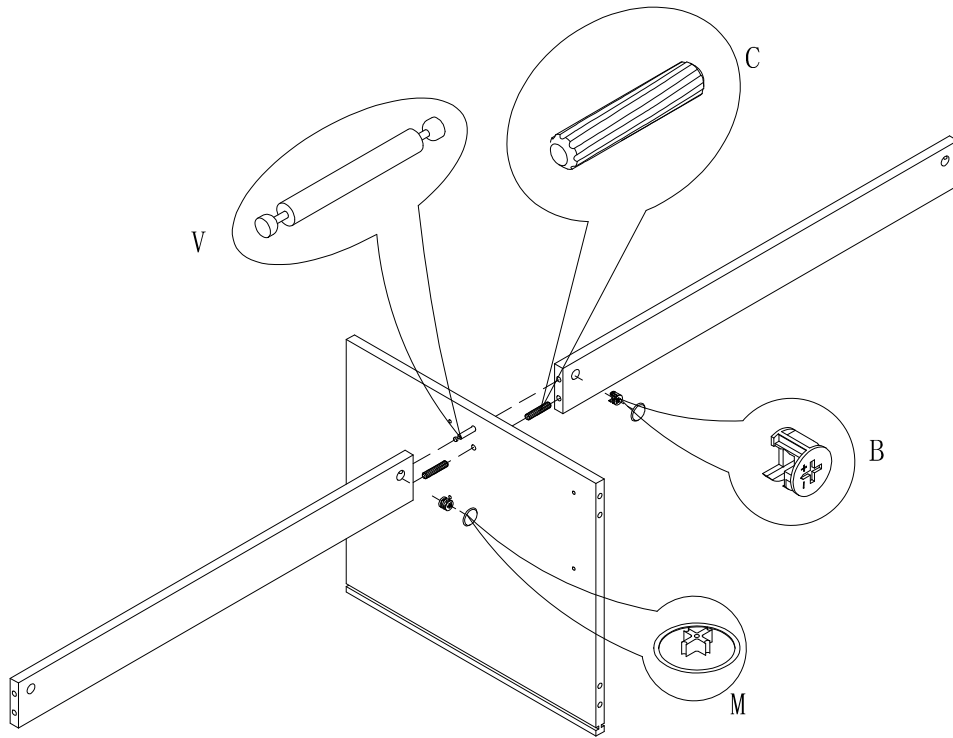
W x1
Spec: $78 * 78 * 1.8$



X x4
Spec: $\varnothing 4 * L16$

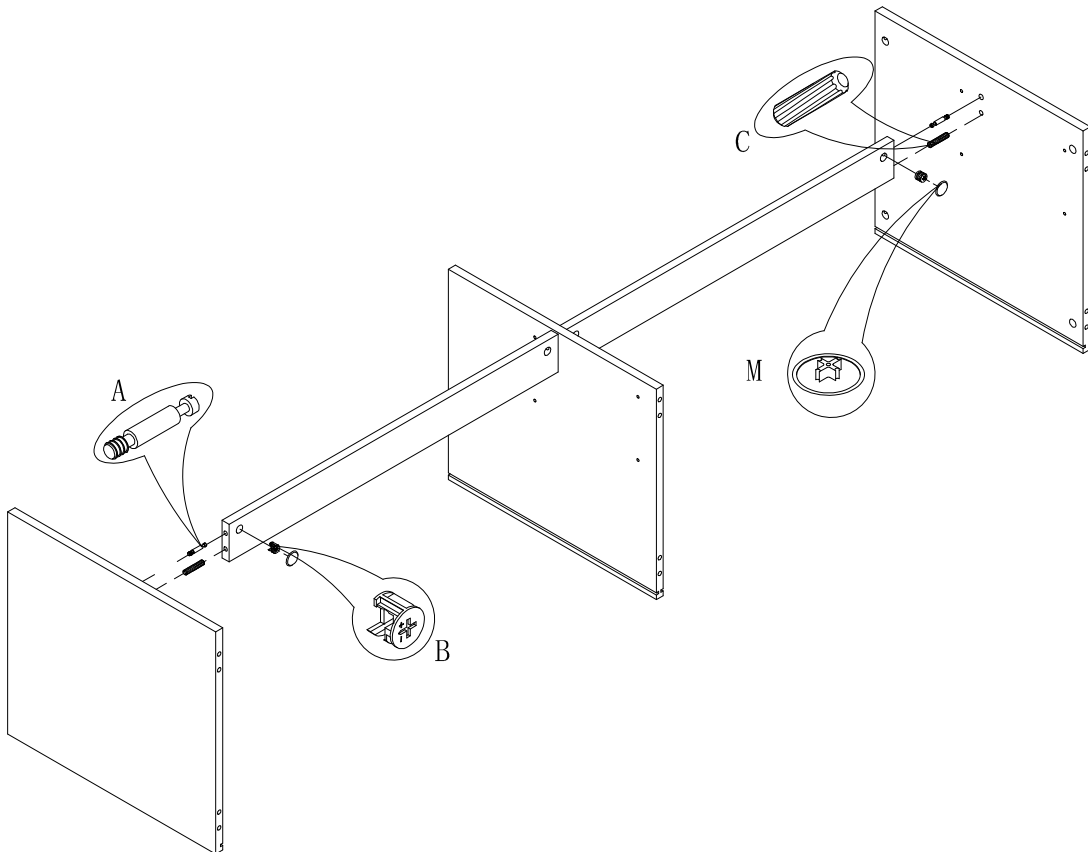


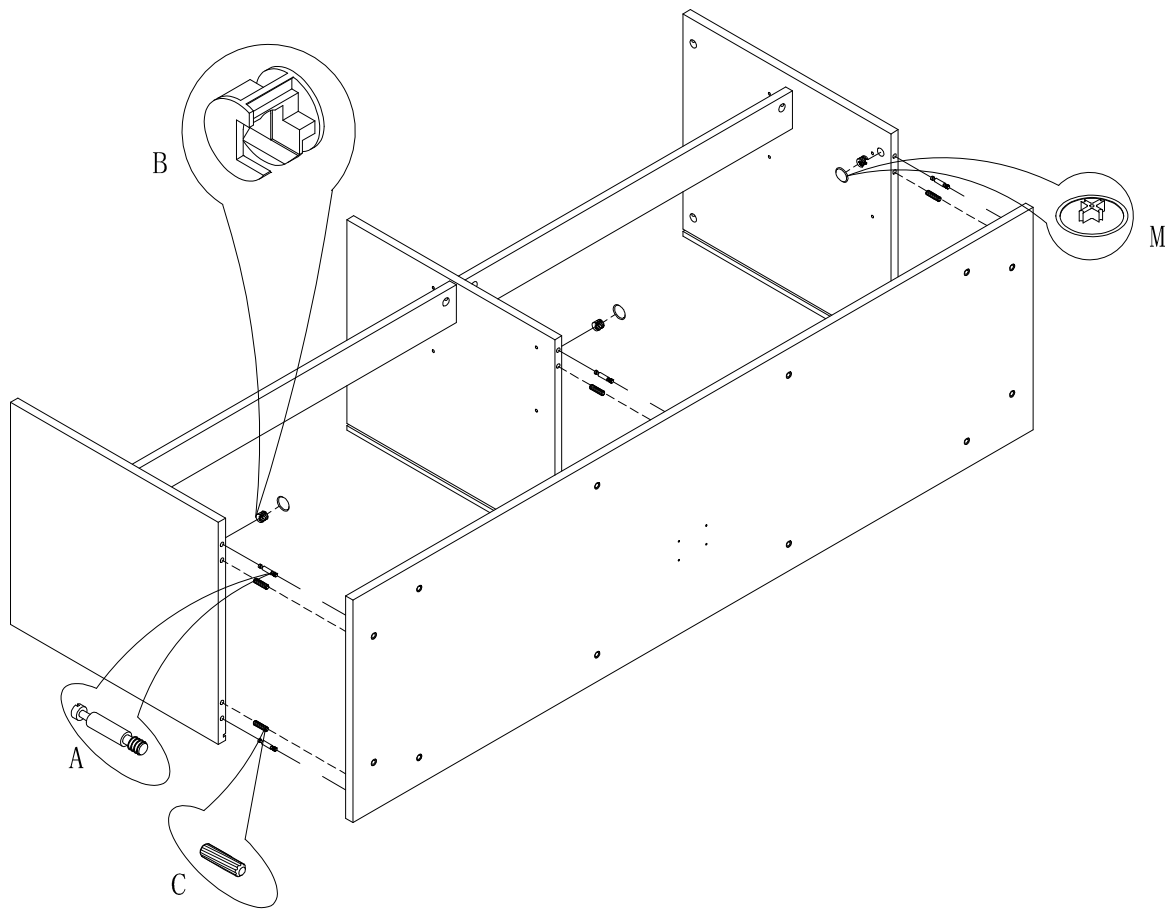
AAA x16
Spec: $\varnothing 3.8 * L12$



1

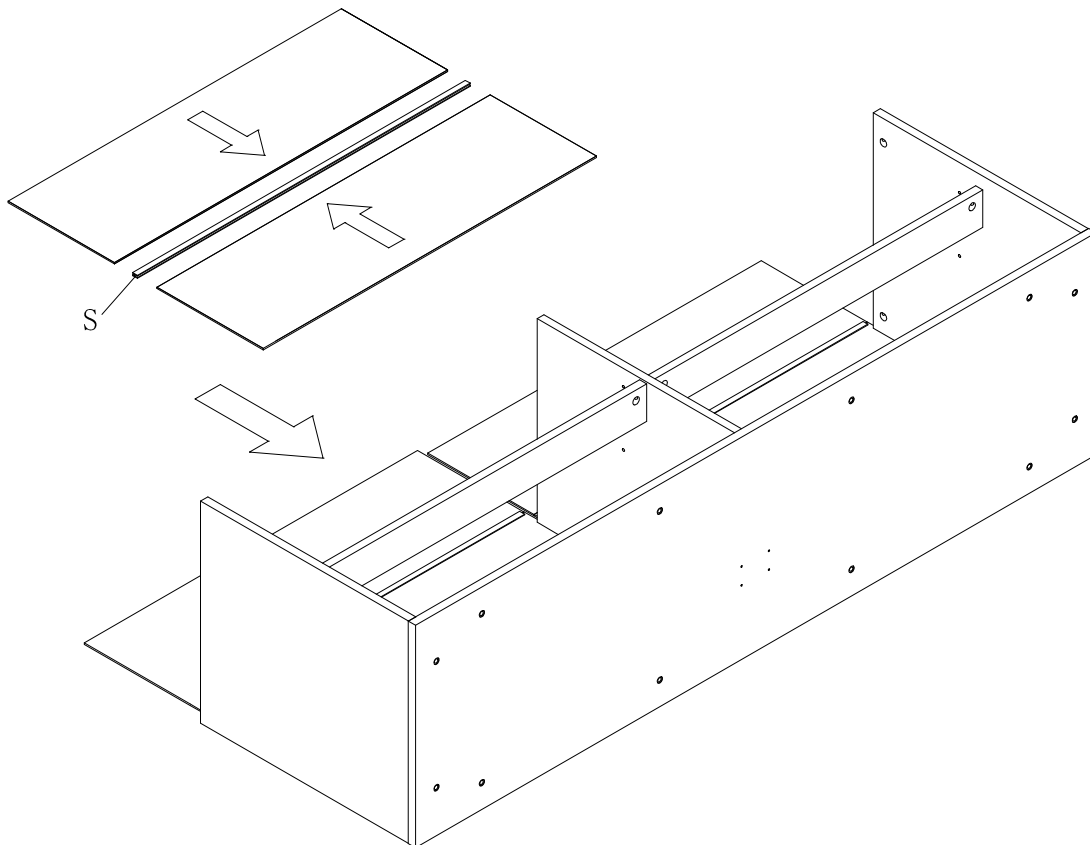
2

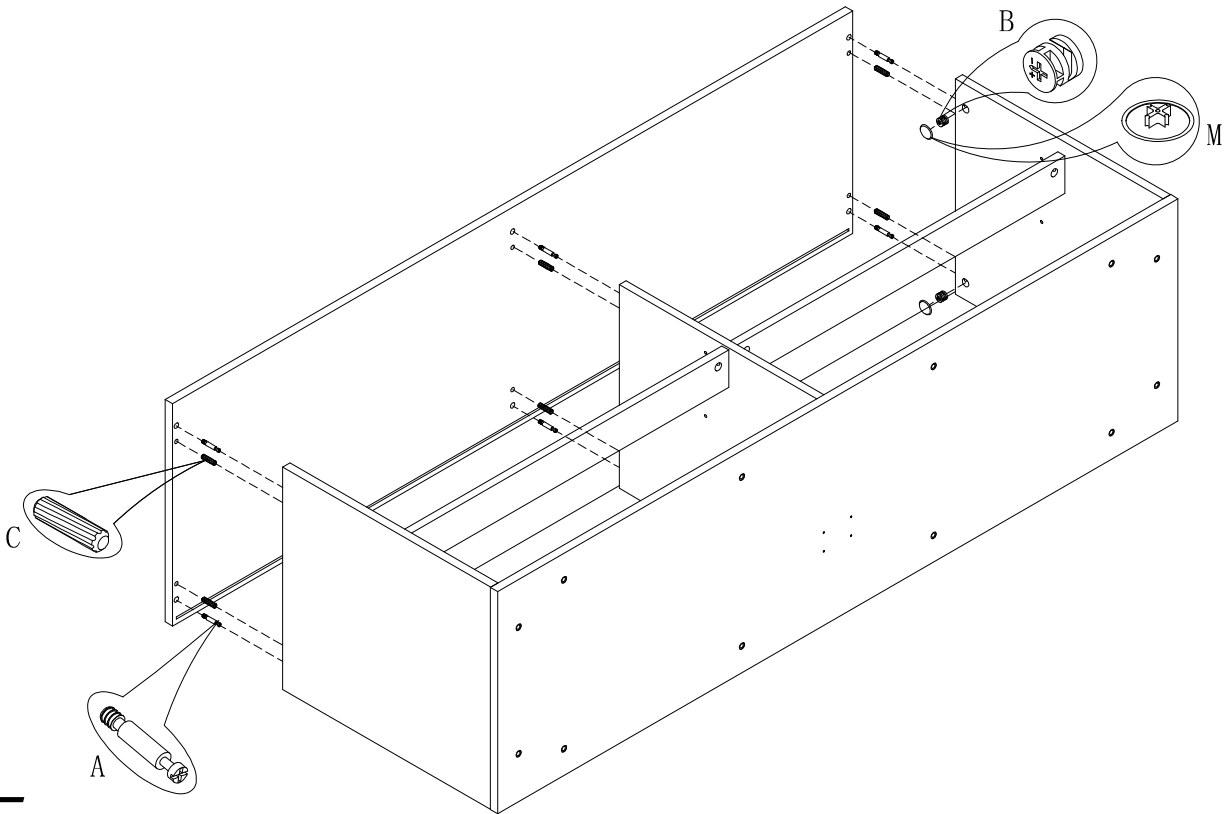




3

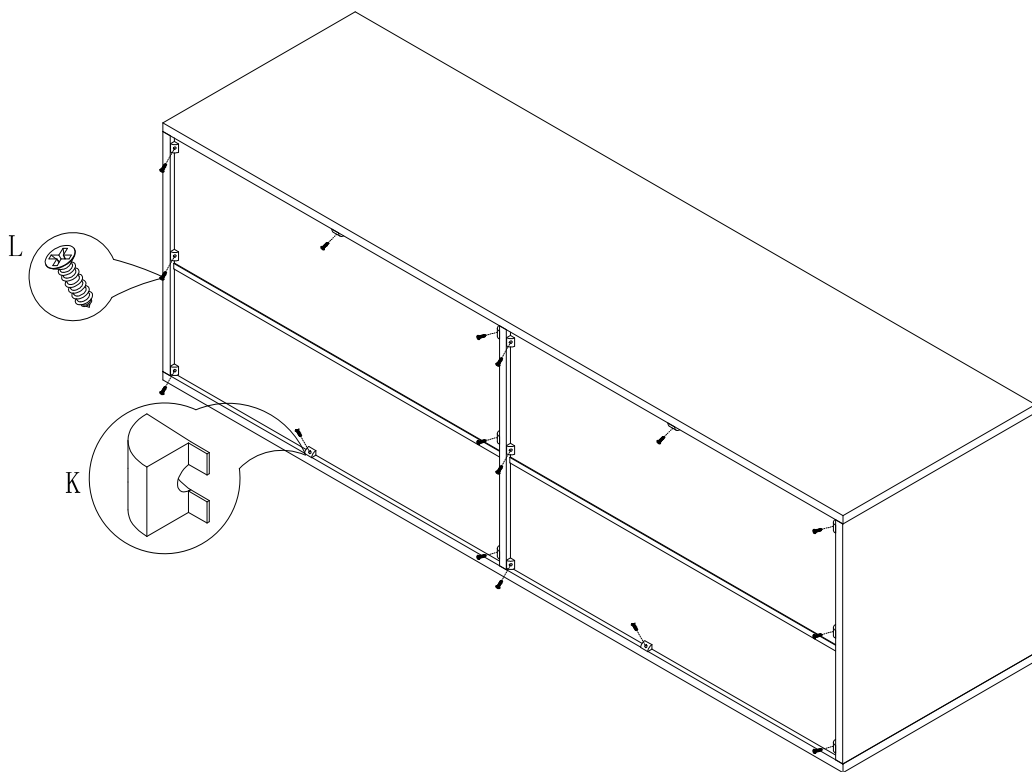
4

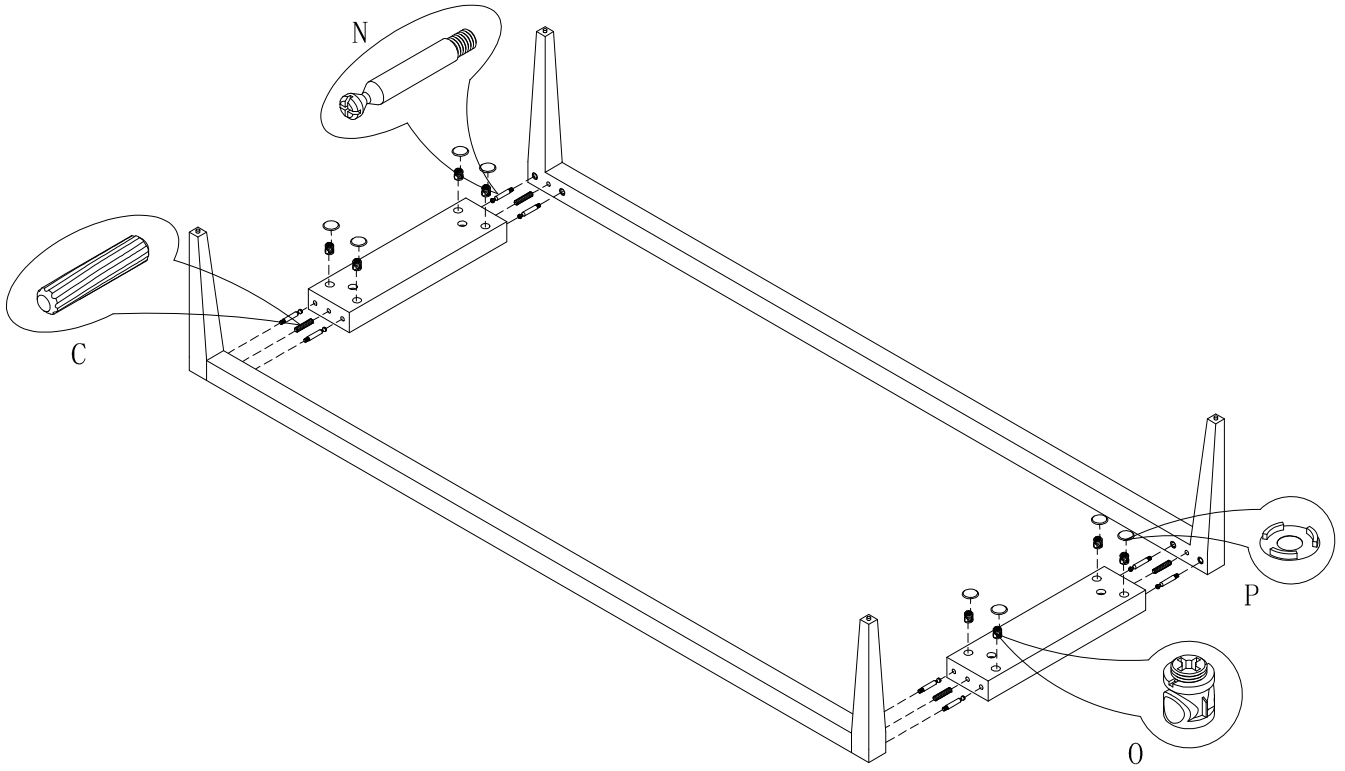




5

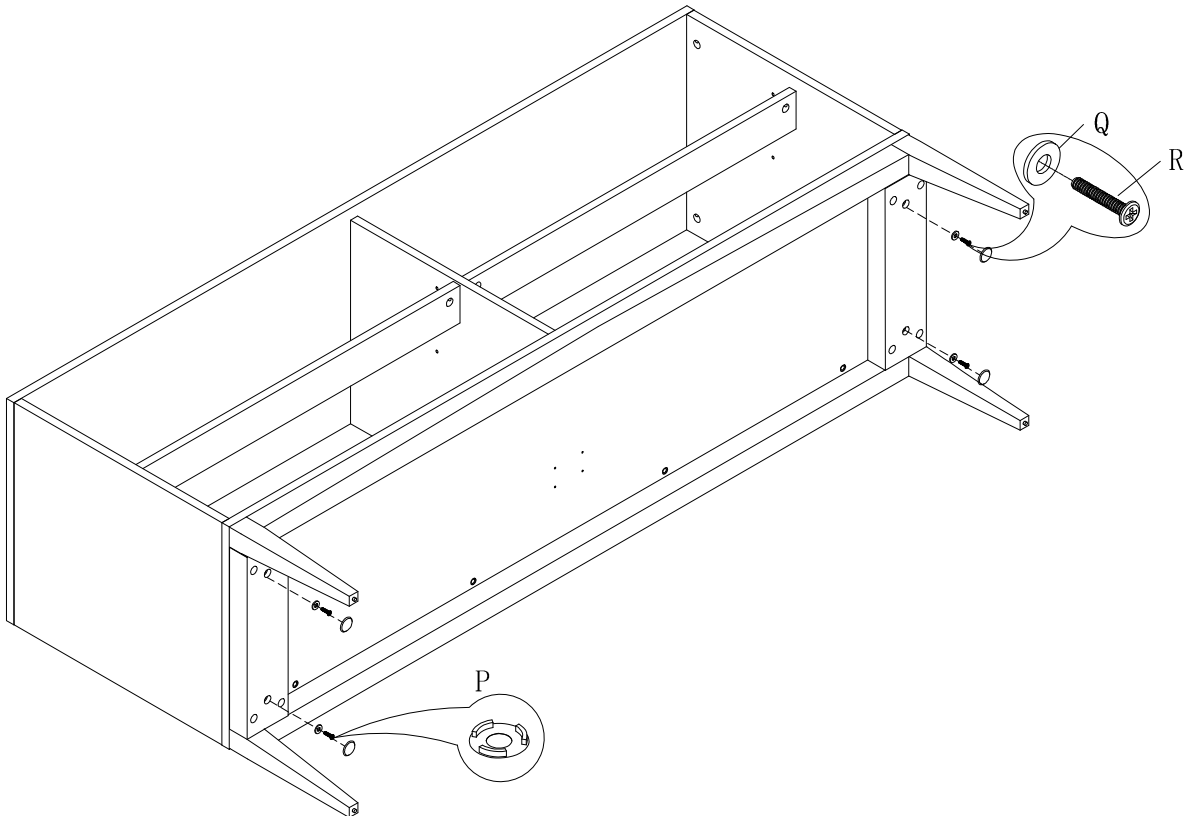
6

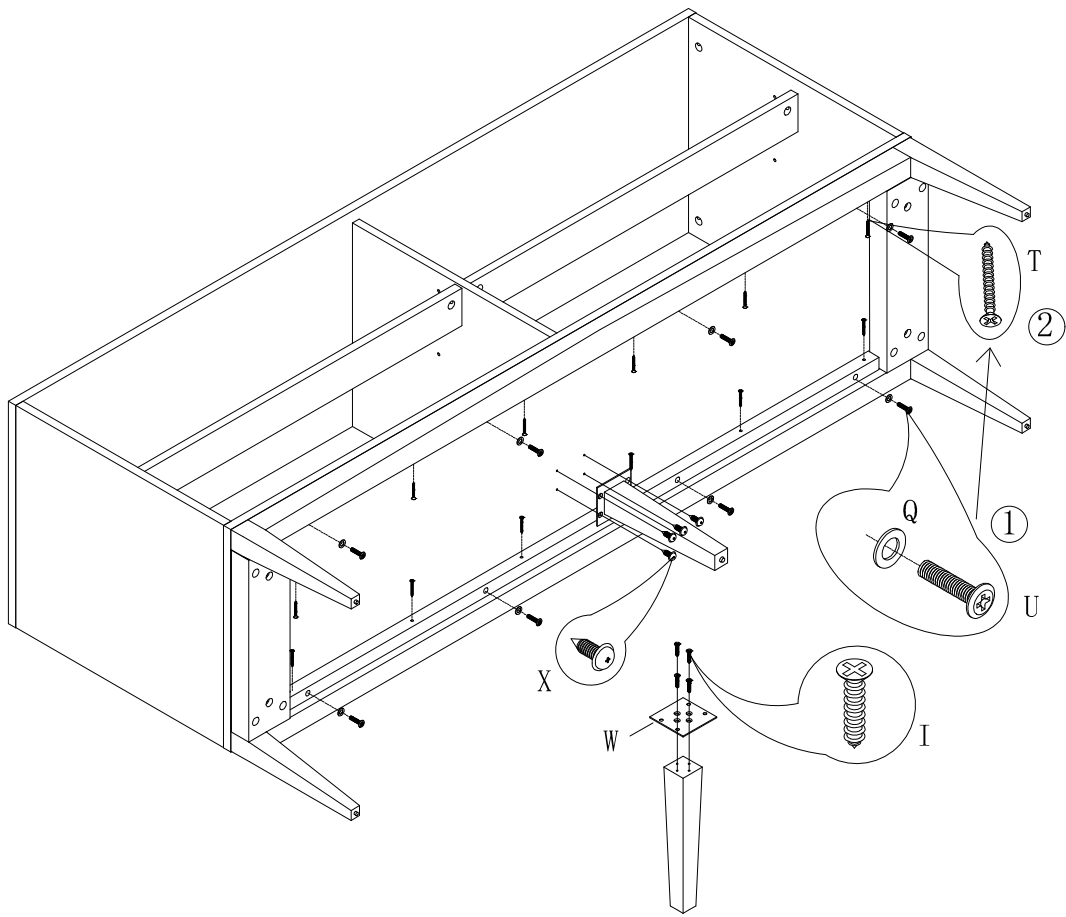




7

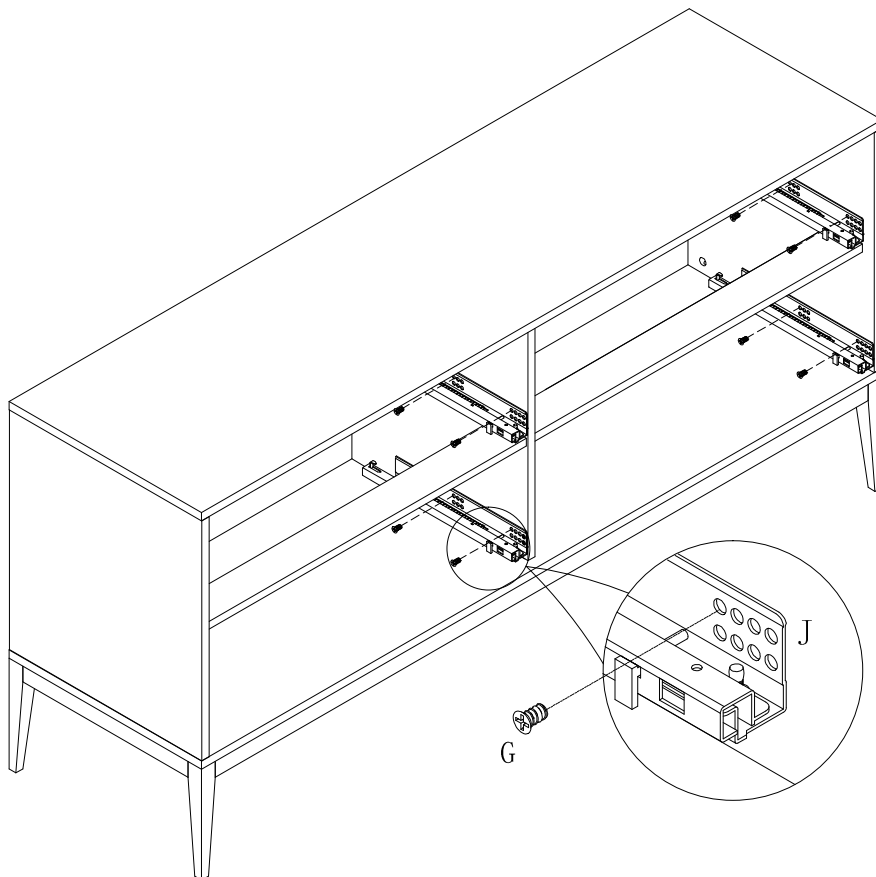
8

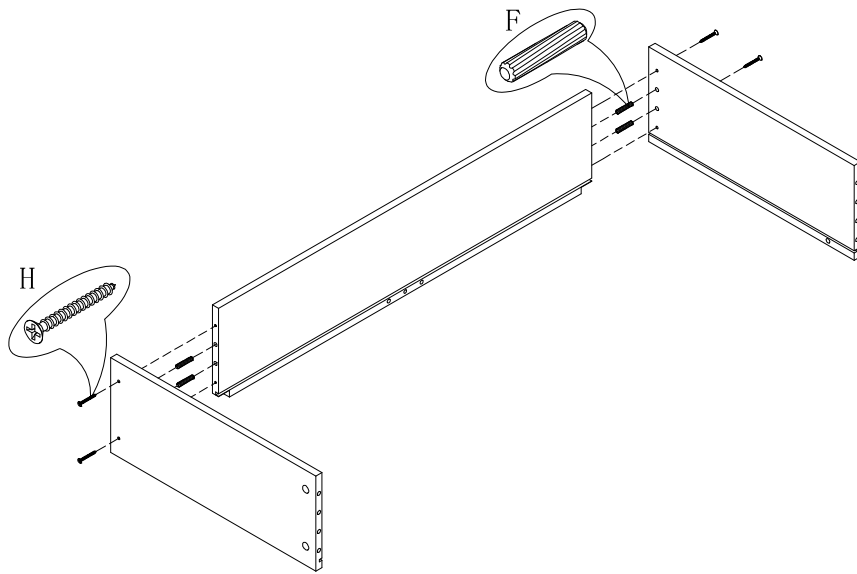




9

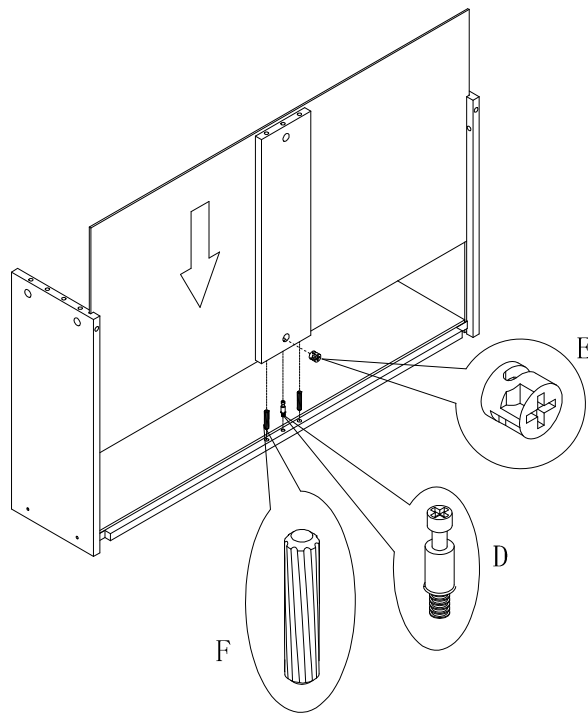
10

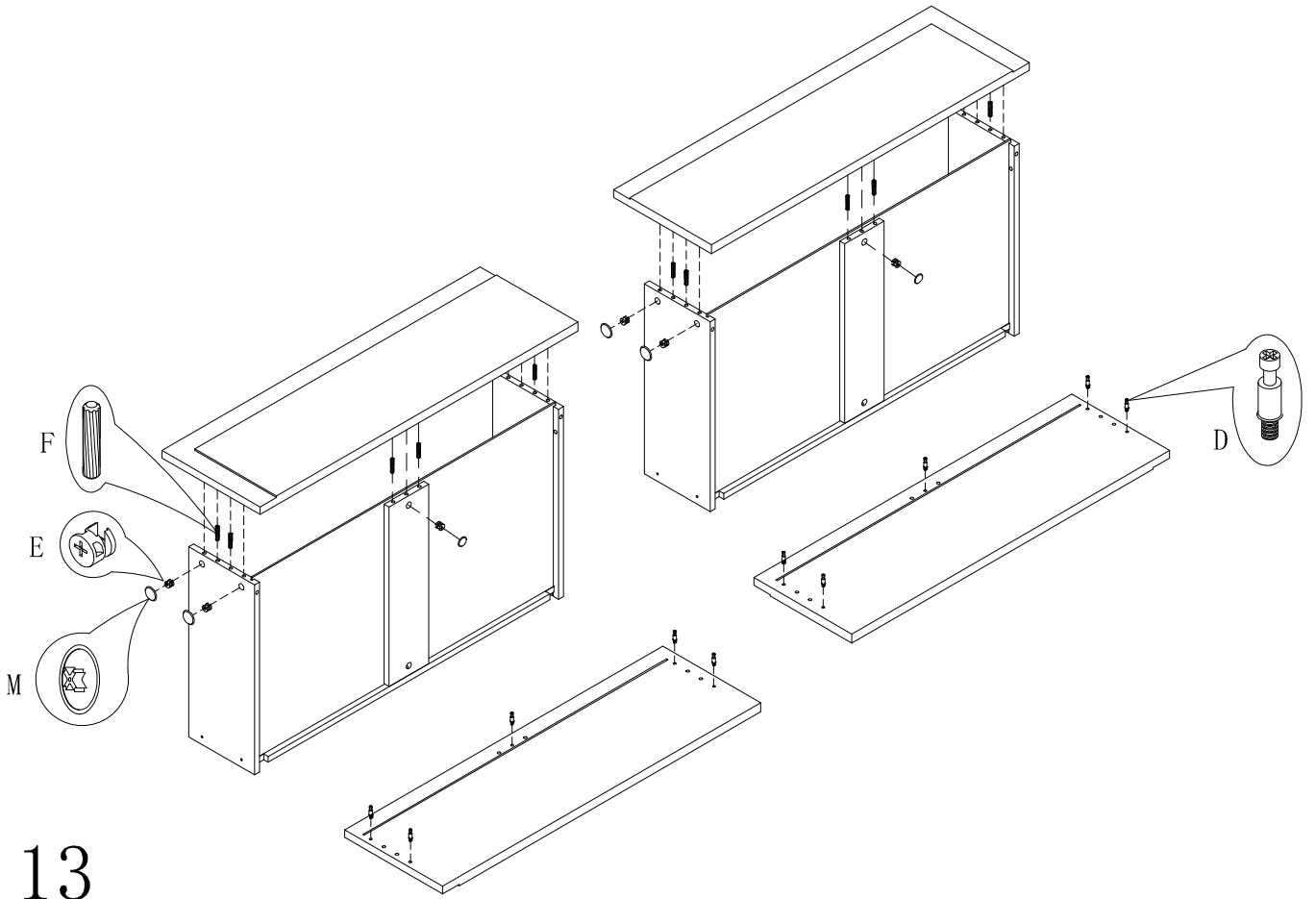




11

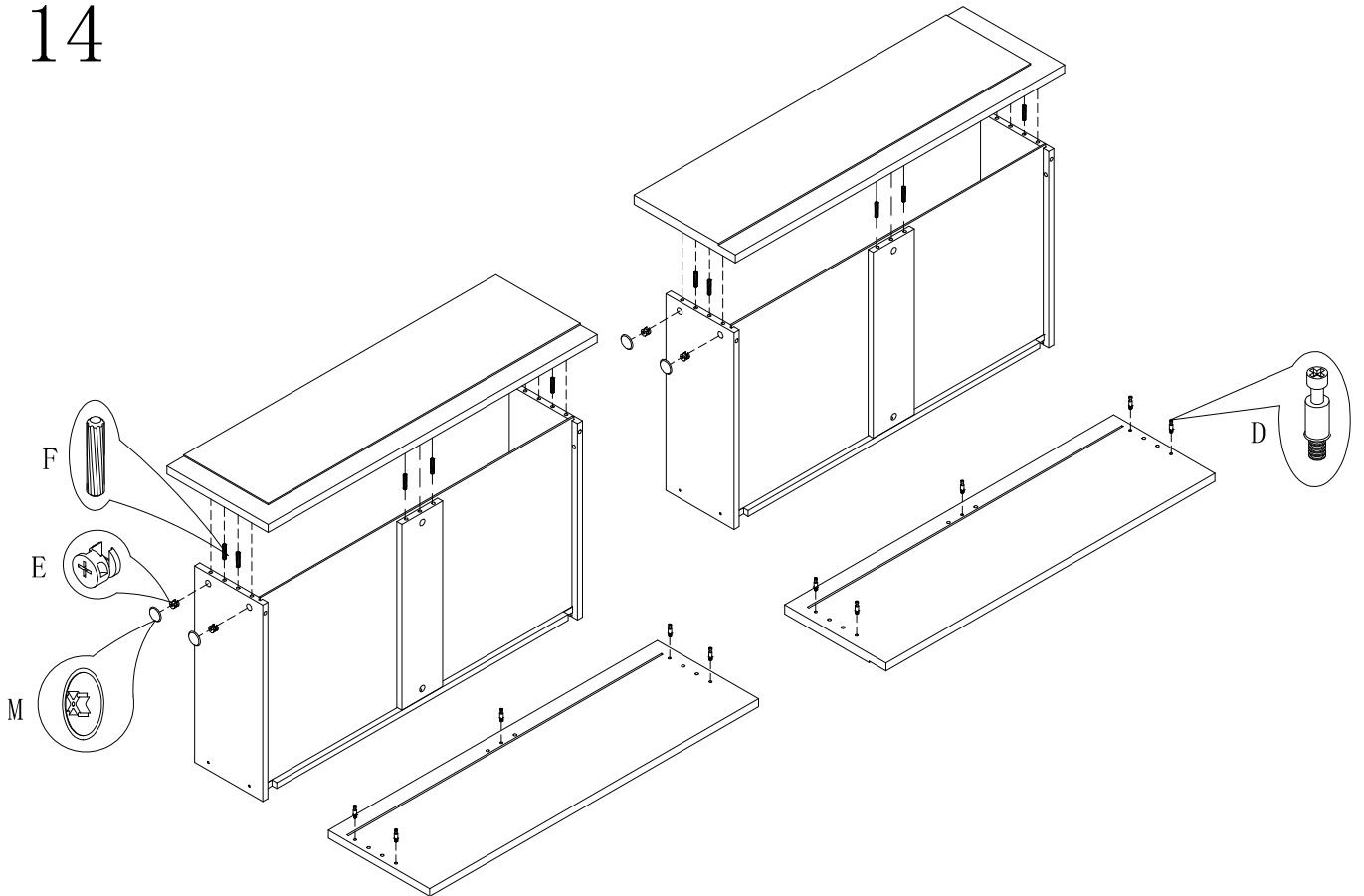
12

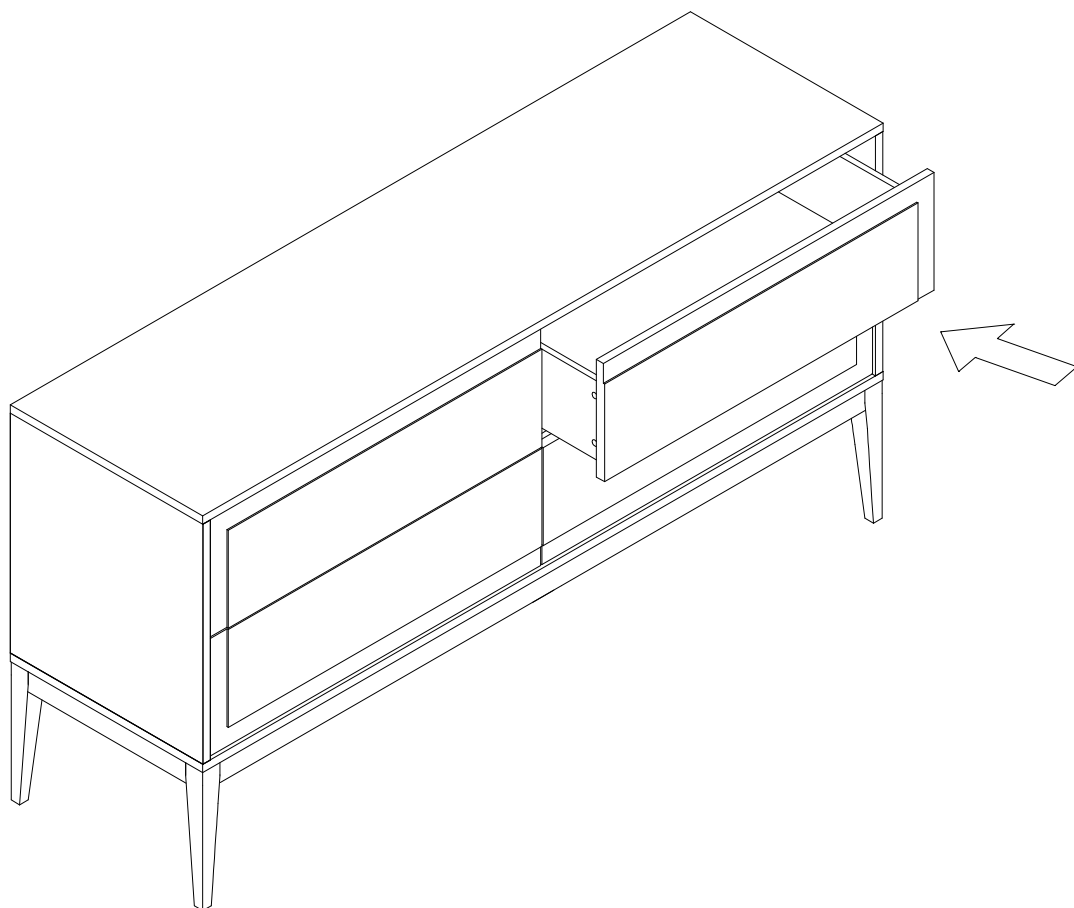




13

14





15
