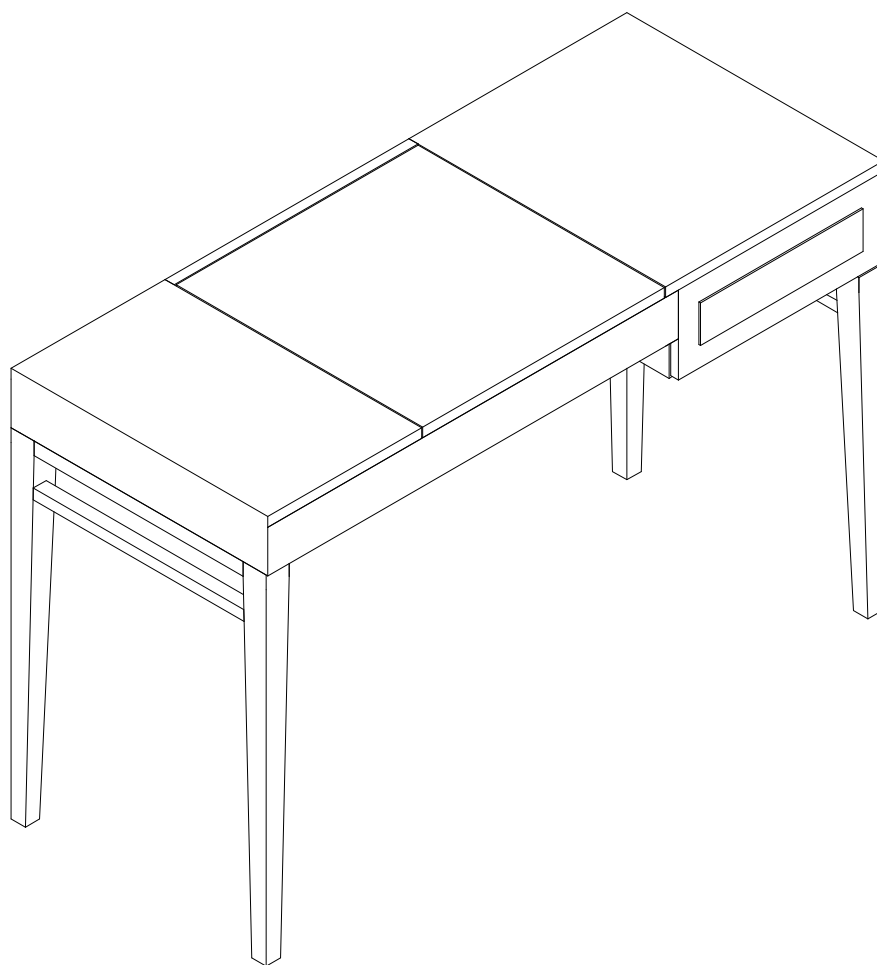


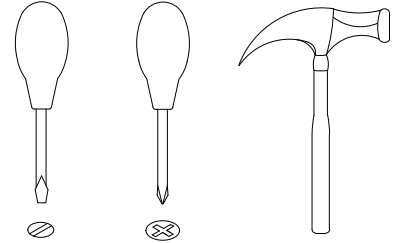
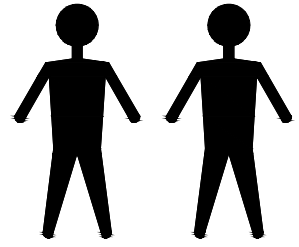


CP1709DK19-HA

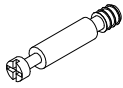


EAC

CP1709DK19-HA



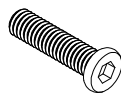
A x20
Spec:



B x10
Spec: $\phi 7 * L30$



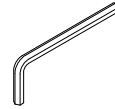
C x10
Spec: $\phi 15 * H12$



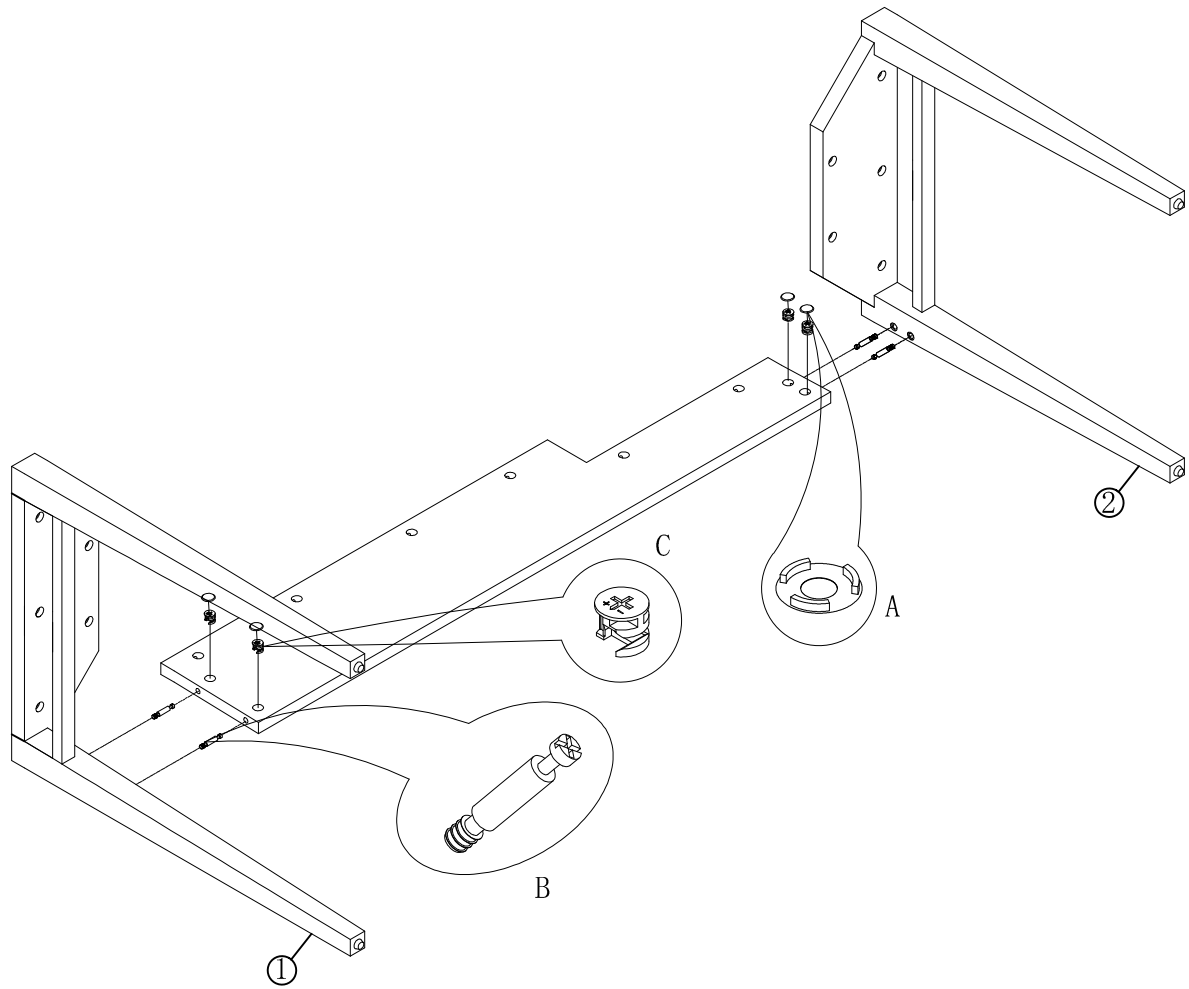
E x10
Spec: $5/16 * L30$



F x10
Spec: $M14 * 8.2 * 1$

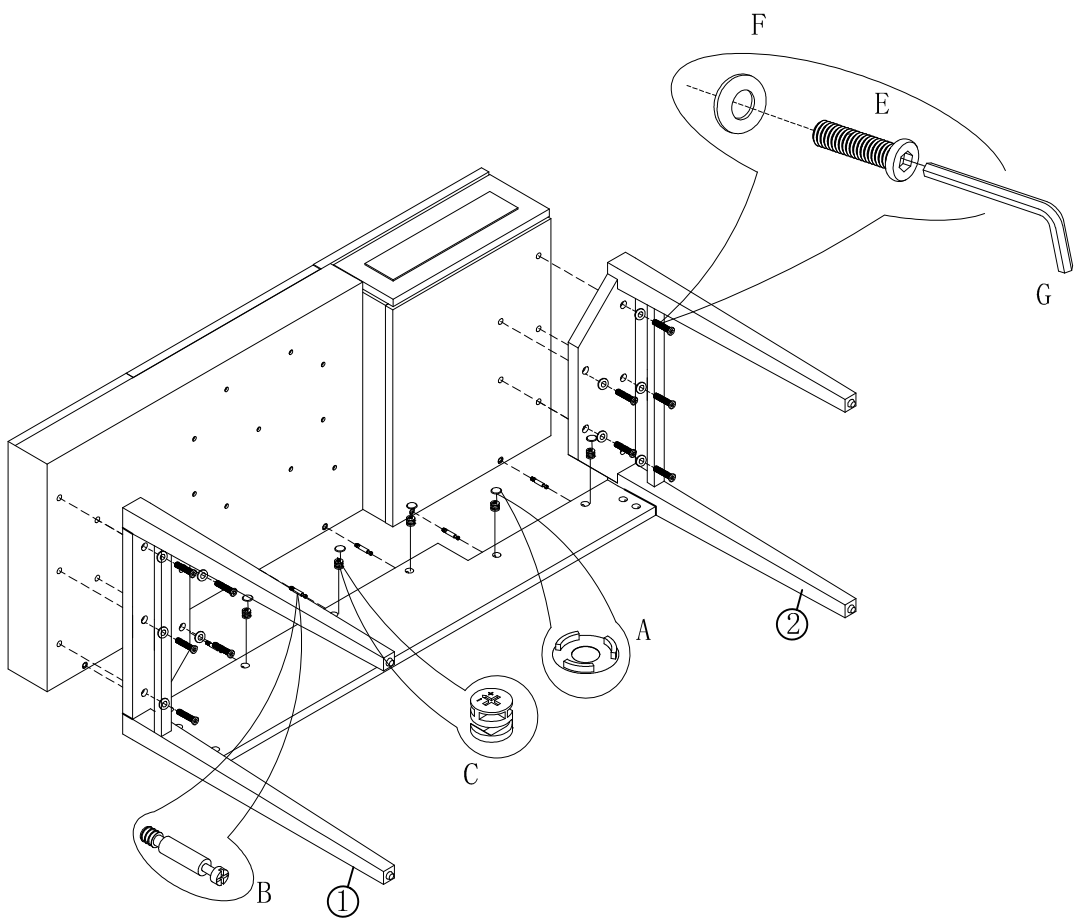


G x1
Spec: 5#



1

2



Adjustable Method

