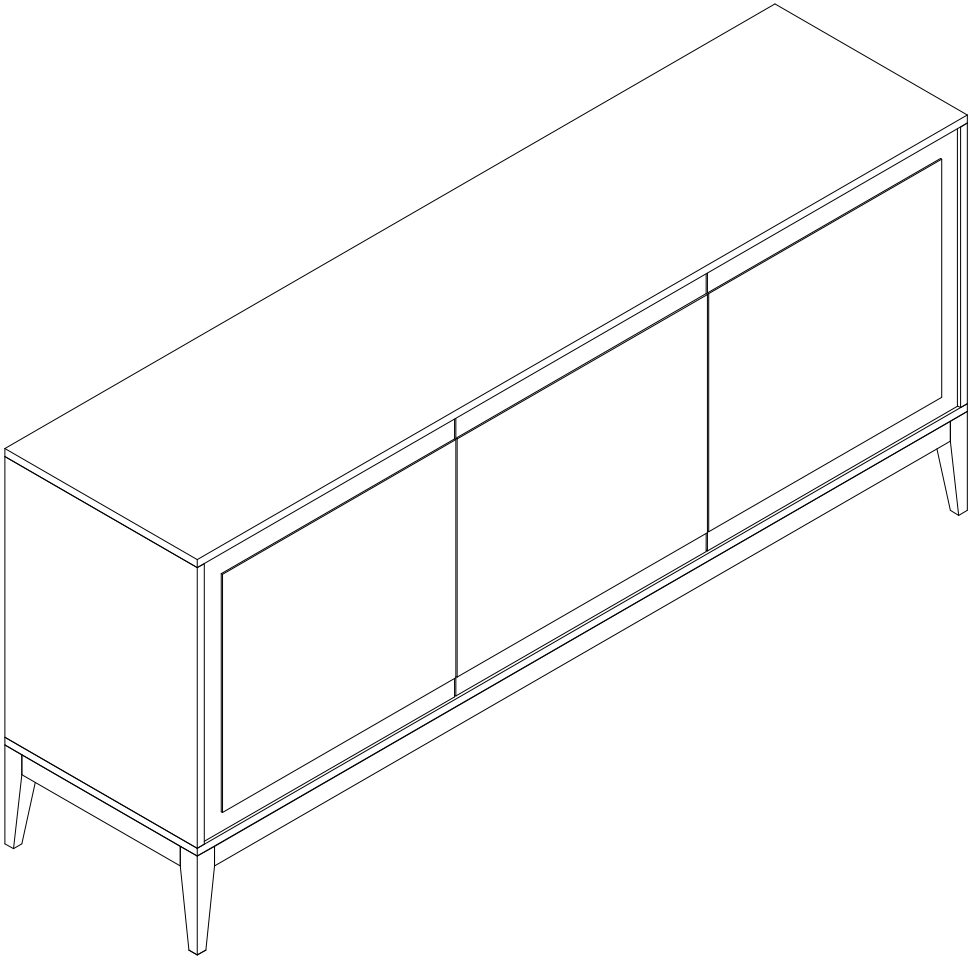


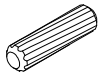
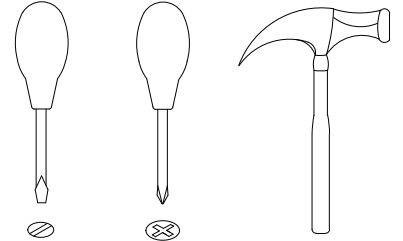
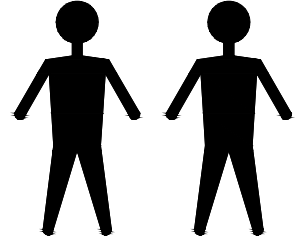


# CP1709E6

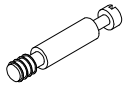


**EAC**

# # CP1709E6



A x20  
Spec:  $\phi 8 \times 30$



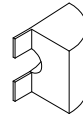
B x16  
Spec:  $\phi 7 \times L30$



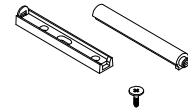
C x16  
Spec:  $\phi 15 \times H12$



D x18  
Spec:  $\phi 3.5 \times L16$



E x18  
Spec: H13



F x3  
Spec:



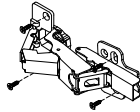
G x6  
Spec:  $\phi 3.5 \times L11$



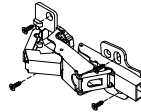
H x12  
Spec:  $\phi 5 \times L19$



I x12  
Spec:  $\phi 20 \times H12$



J x6  
Spec: 089#



K x3  
Spec: 079#



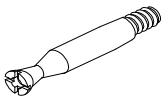
L x16  
Spec:



M x18  
Spec:  $3.8 \times L16$



N x8  
Spec:  $\phi 3.5 \times L20$



O x8  
Spec:  $\phi 7 \times L48$



P x8  
Spec:  $\phi 15 \times H15$



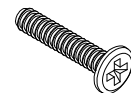
Q x12  
Spec:



R x14  
Spec:  $\phi 8 \times \phi 14$



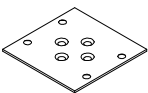
S x4  
Spec: M6\*45



T x10  
Spec: M6\*35



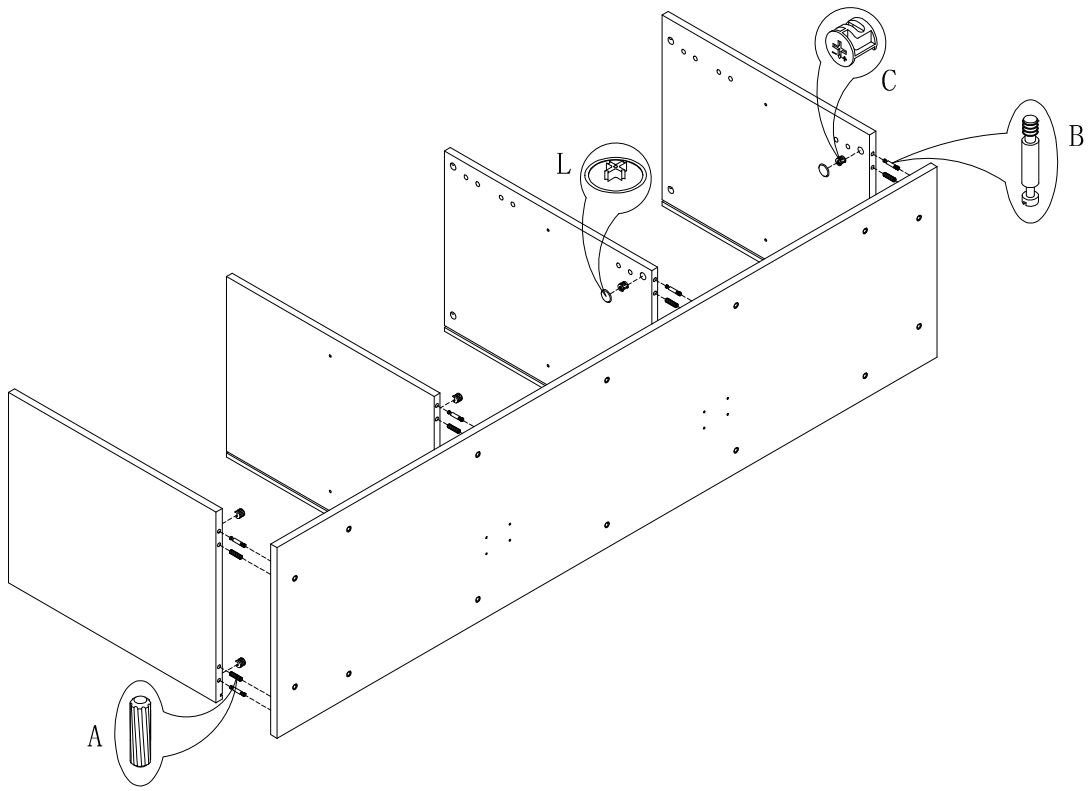
U x16  
Spec:  $\phi 3.8 \times L38$



V x2  
Spec:  $78 \times 78 \times 1.8$

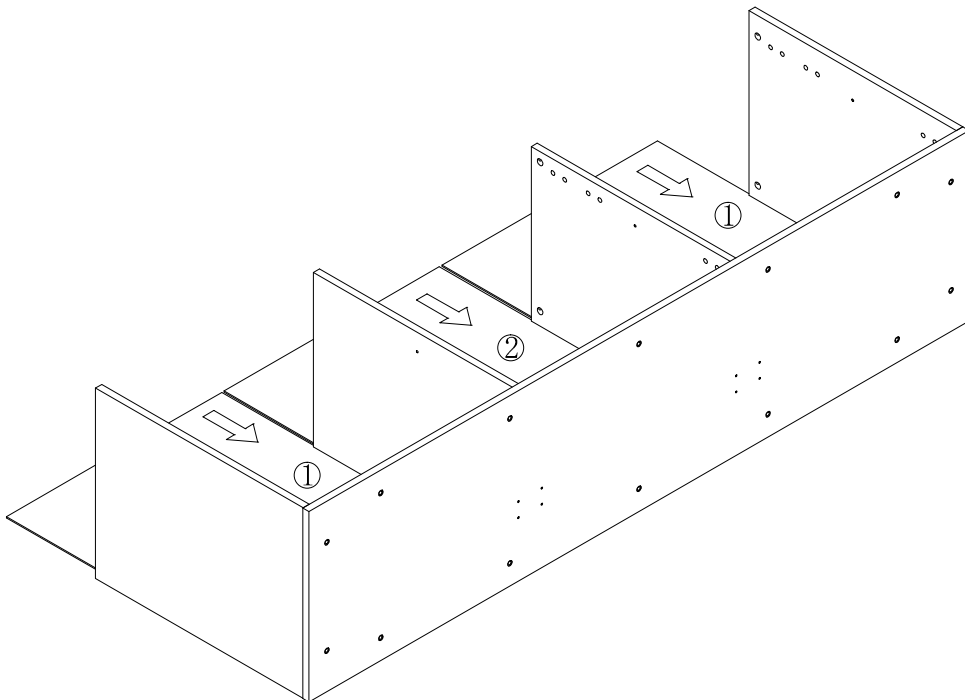


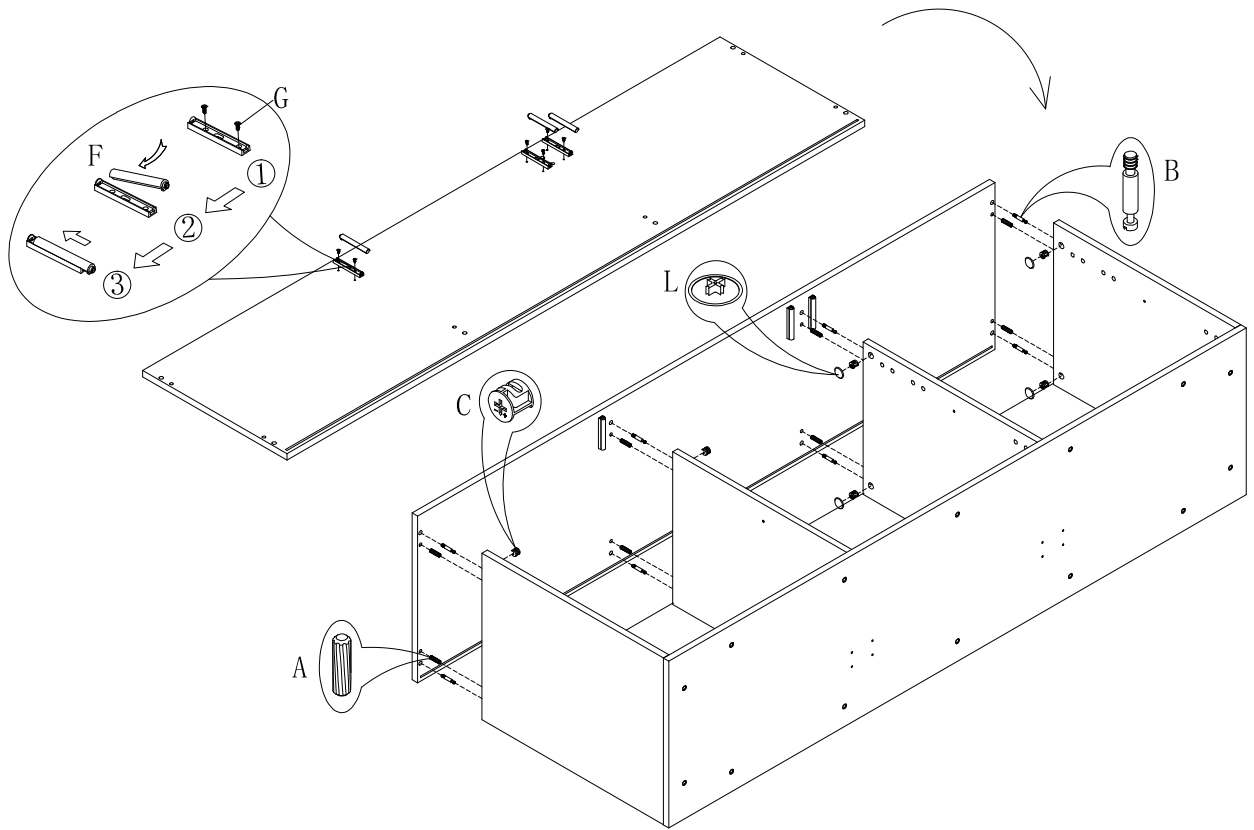
W x8  
Spec:  $\phi 4 \times L16$



1

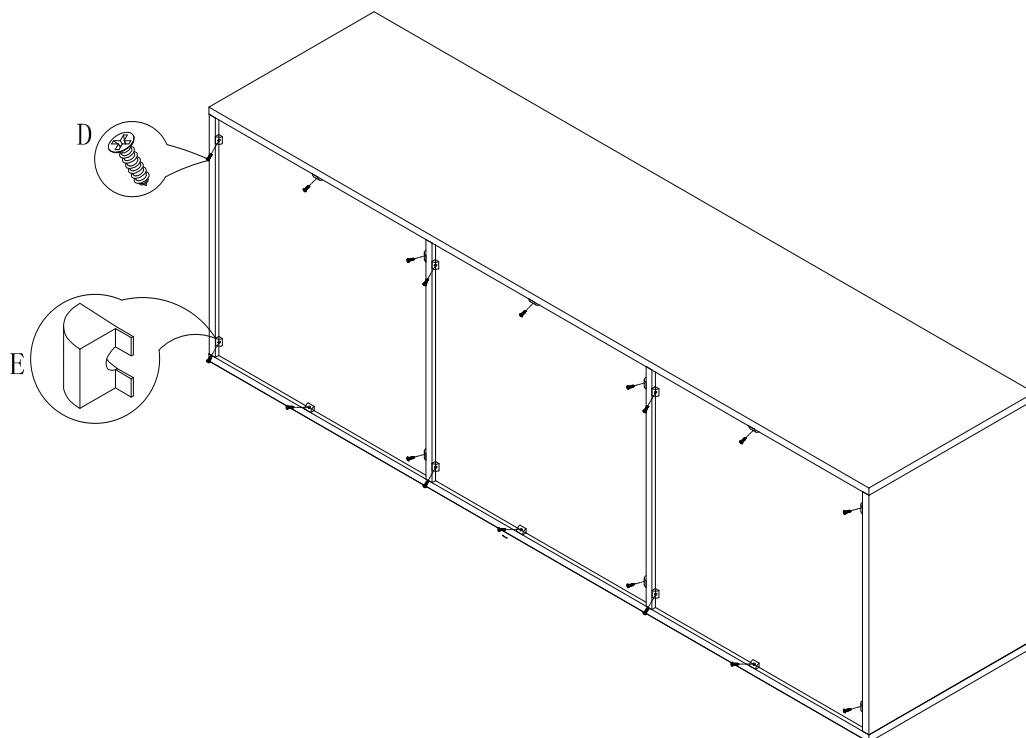
2

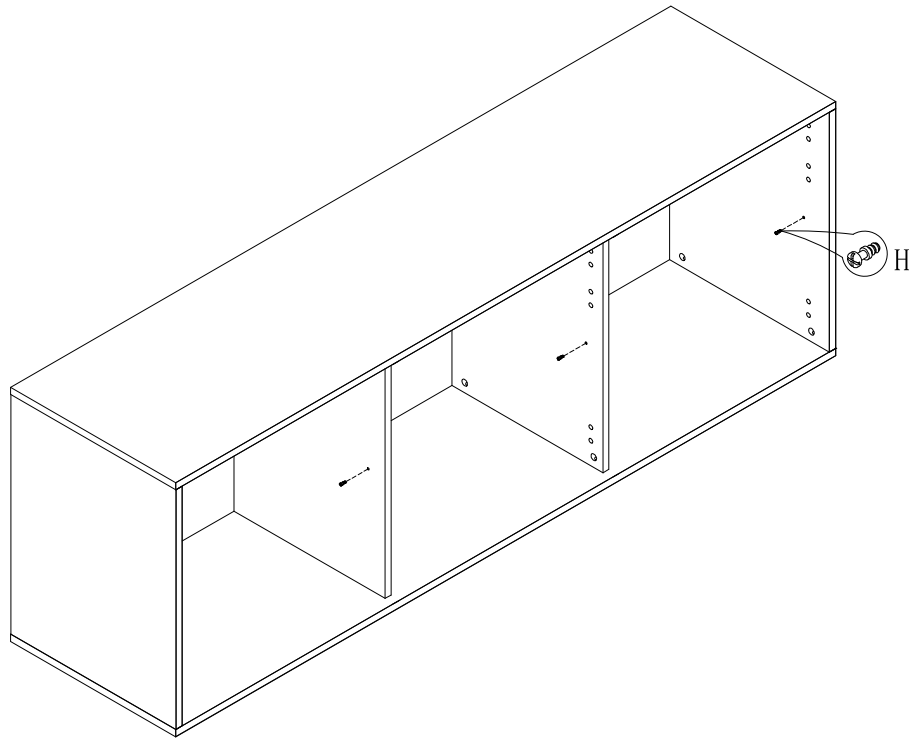




3

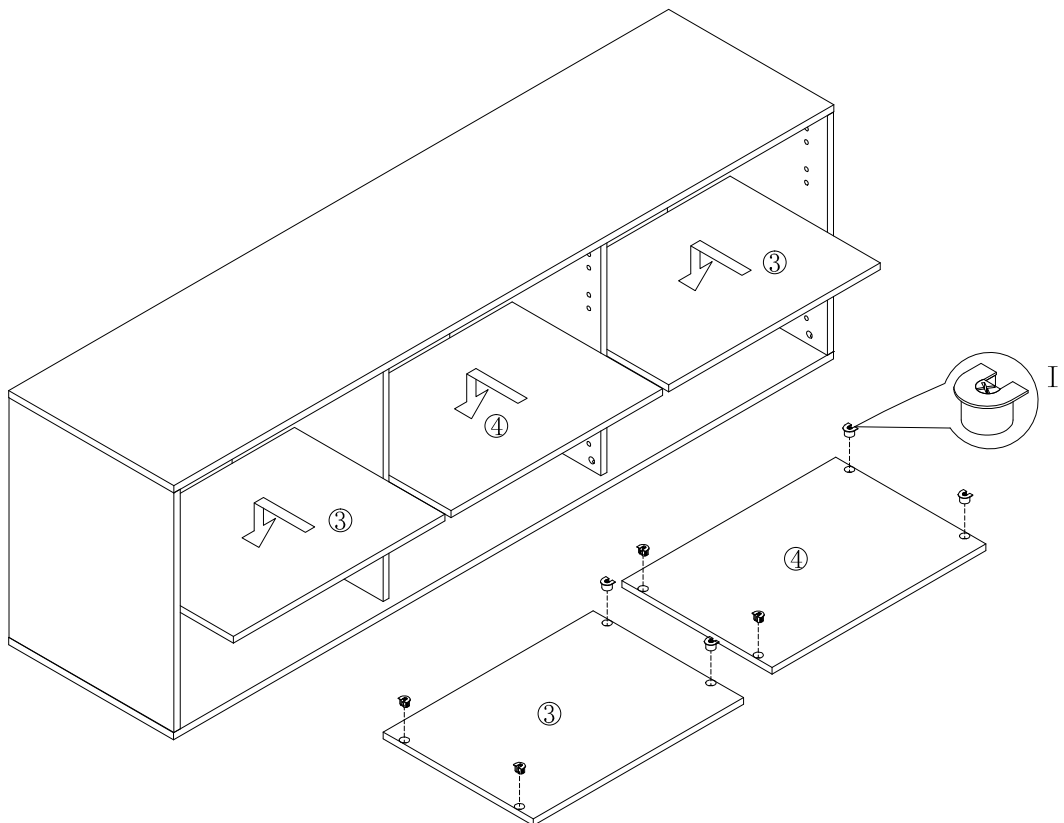
4

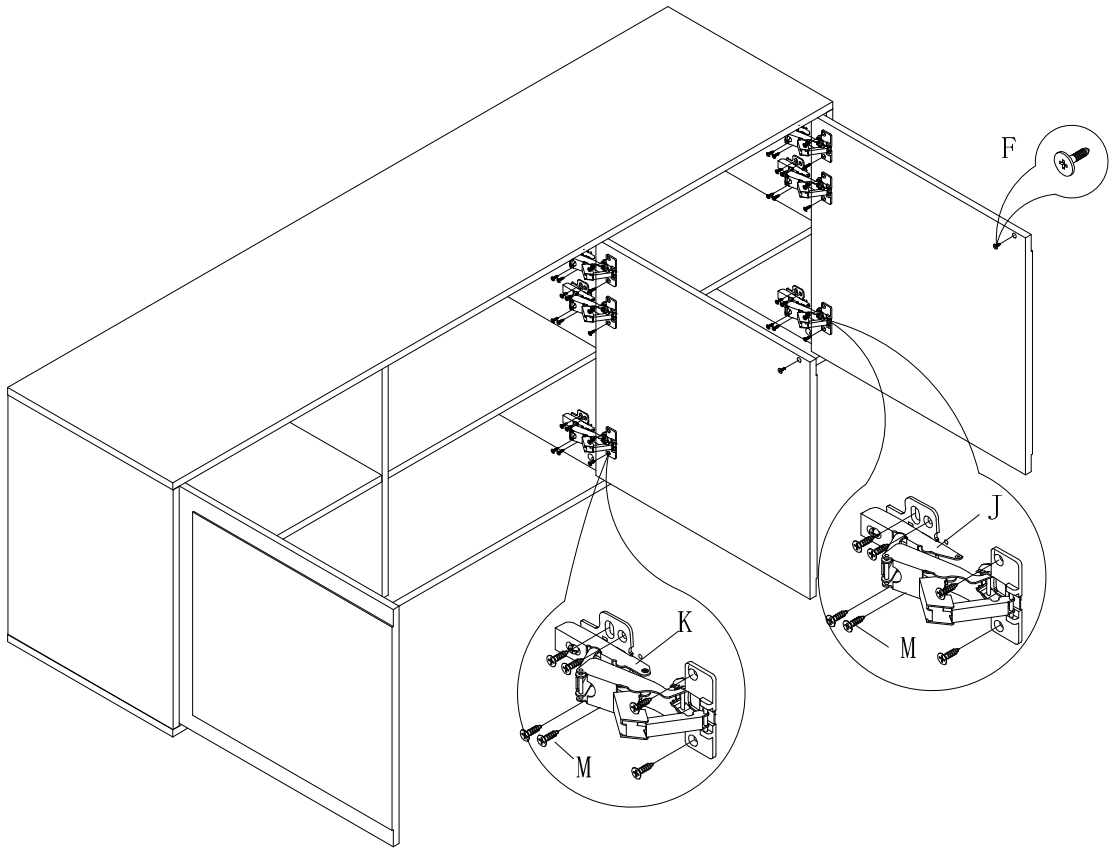




5

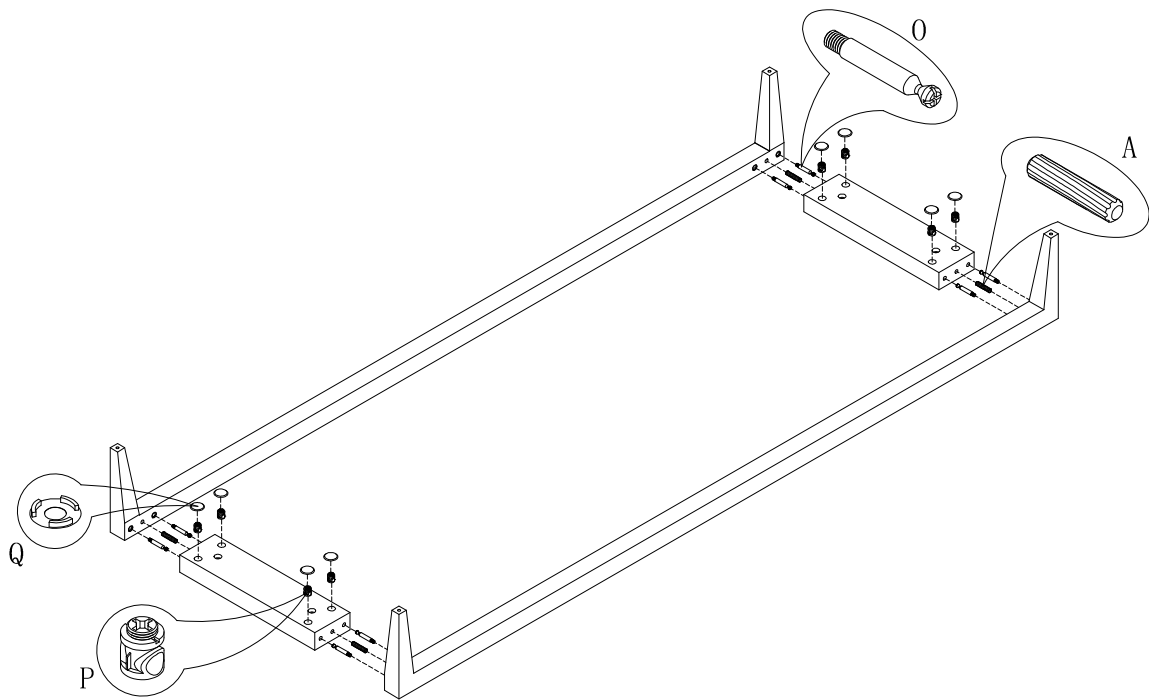
6

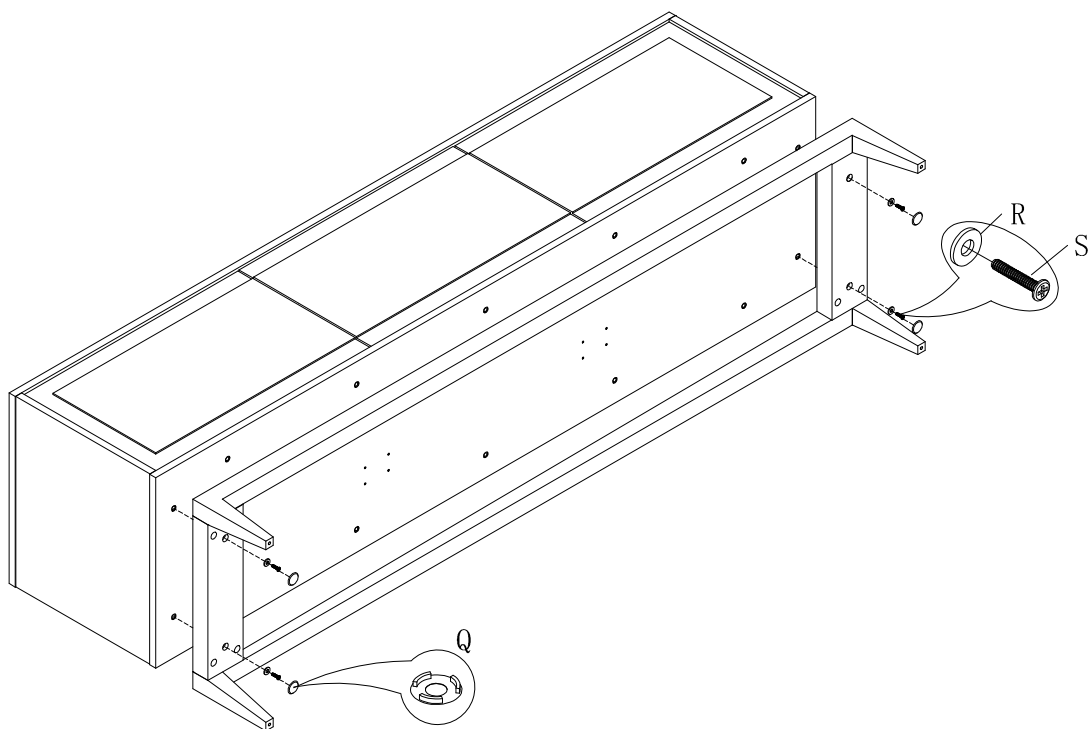




7

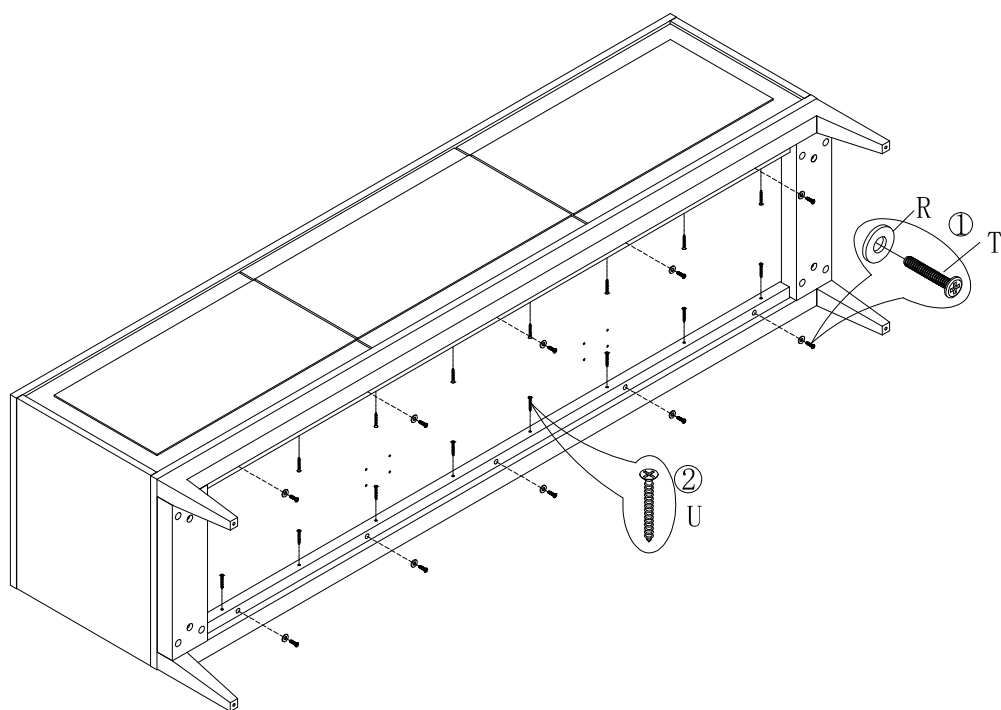
8

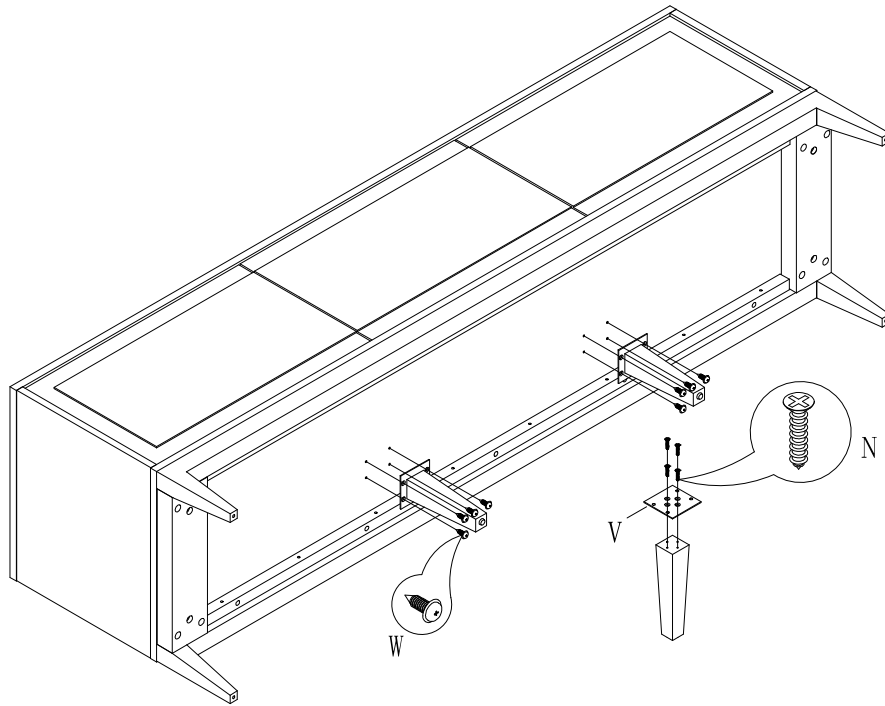




9

10





11

---