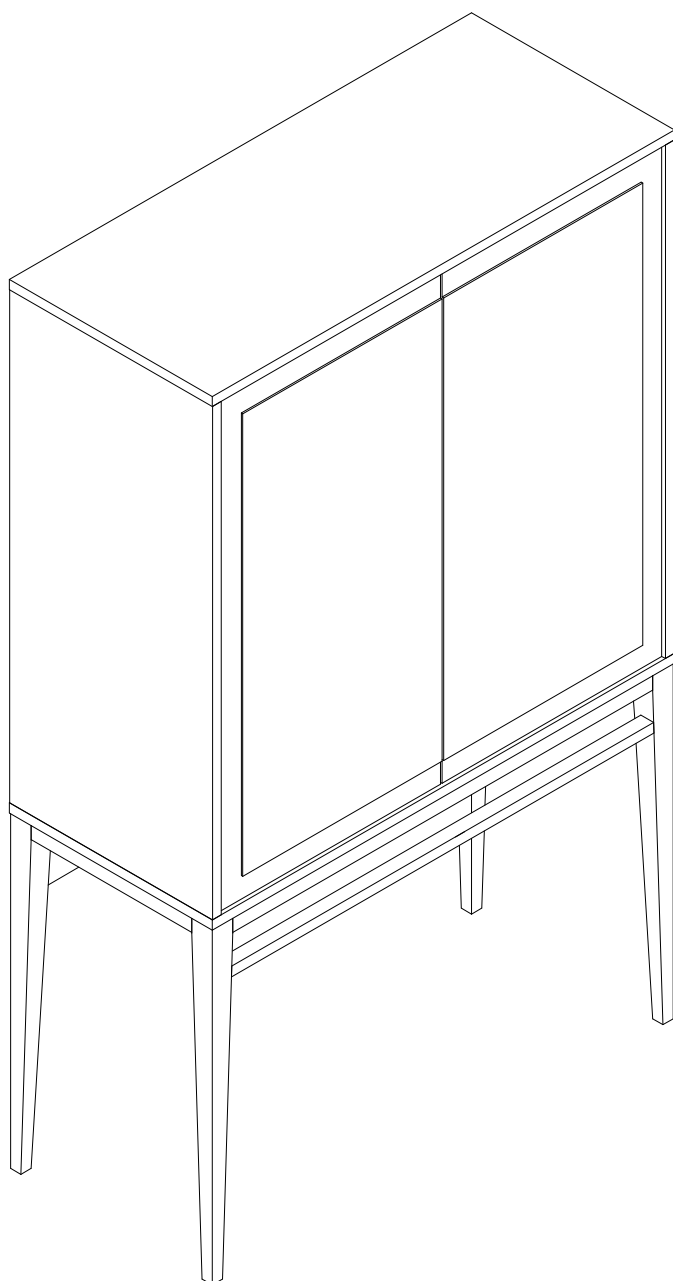


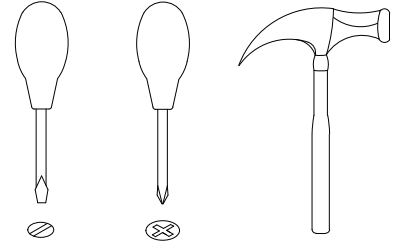
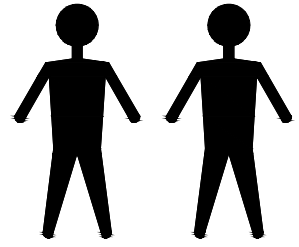
MOD
interiors

CP1709F24-HA



EAC

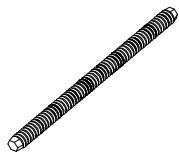
CP1709F24-HA



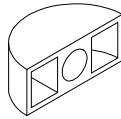
A x4
Spec: $\varnothing 8 \times 30$



B x8
Spec: $\varnothing 3.8 \times L38$



C x8
Spec: M8*L75



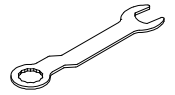
D x8
Spec:



E x8
Spec: M8



F x8
Spec: $\varnothing 38$



G x1
Spec: 14#



H x12
Spec:



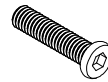
I x18
Spec: $\varnothing 8 \times \varnothing 14$



J x4
Spec: M6*30



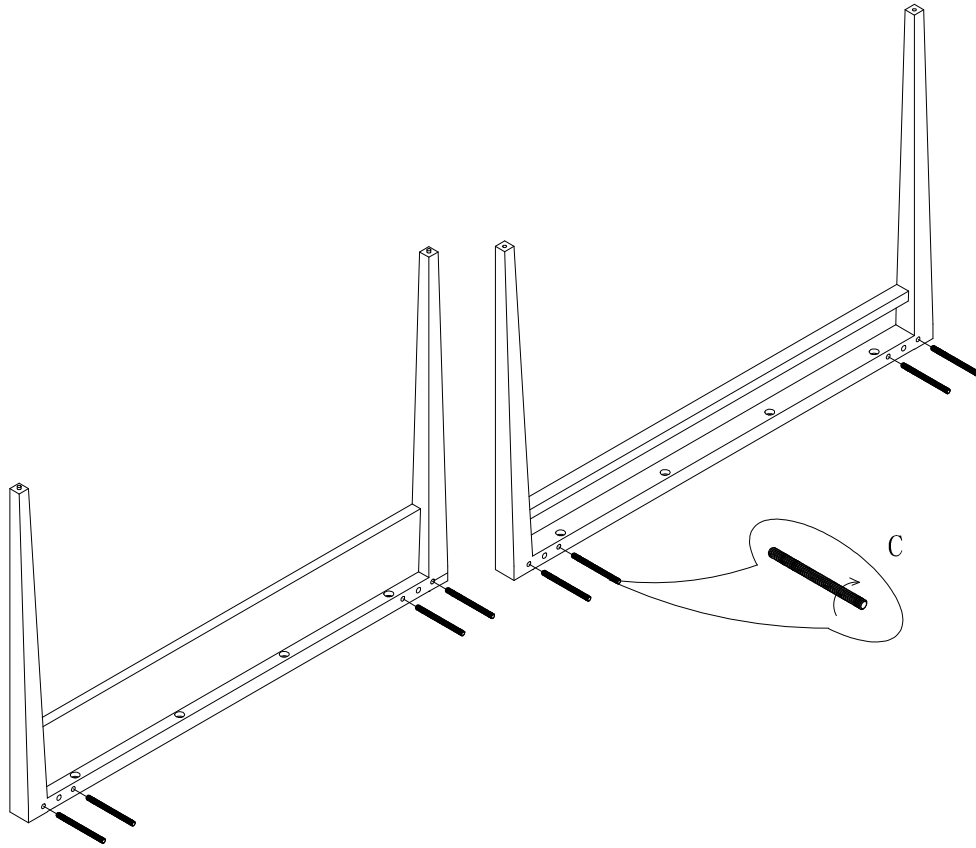
K x6
Spec: M6*35



L x8
Spec: M6*L30

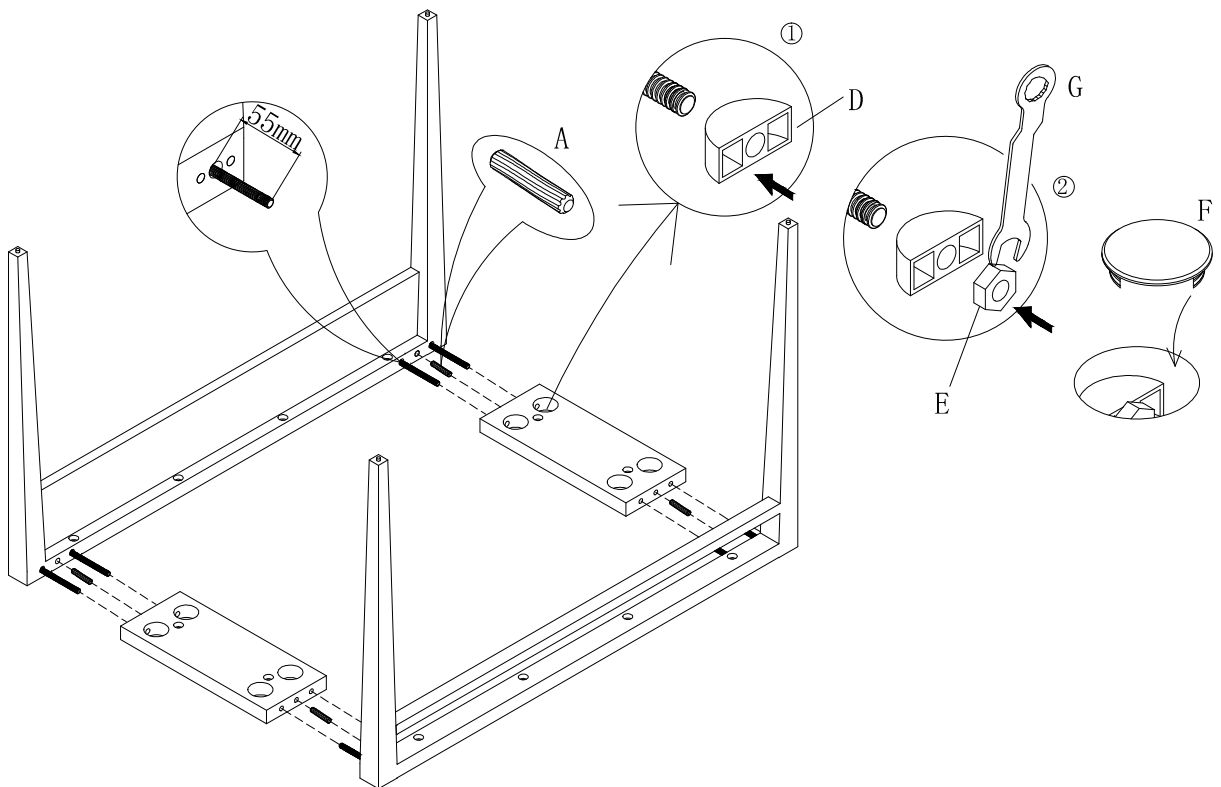


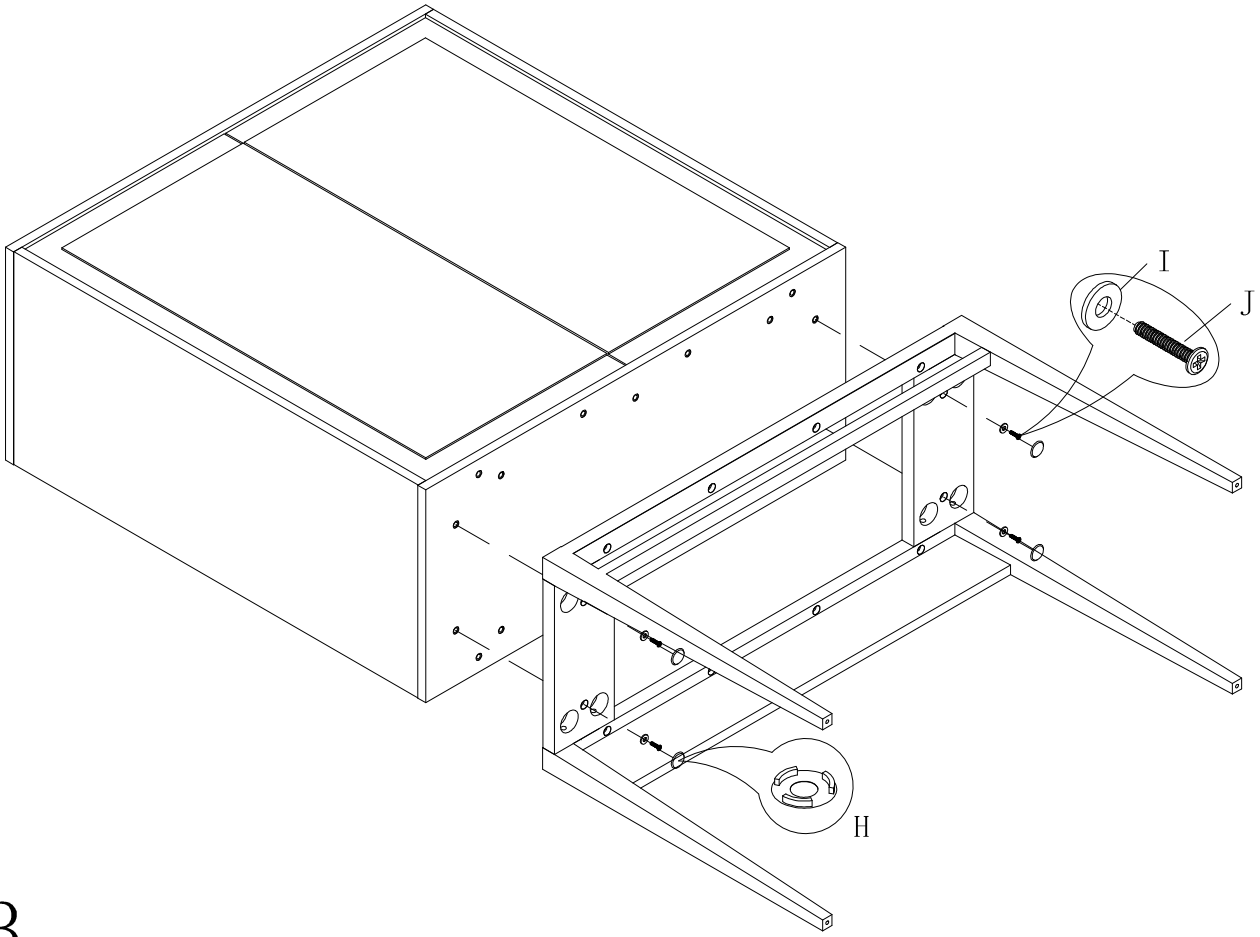
M x1
Spec: 4#



1

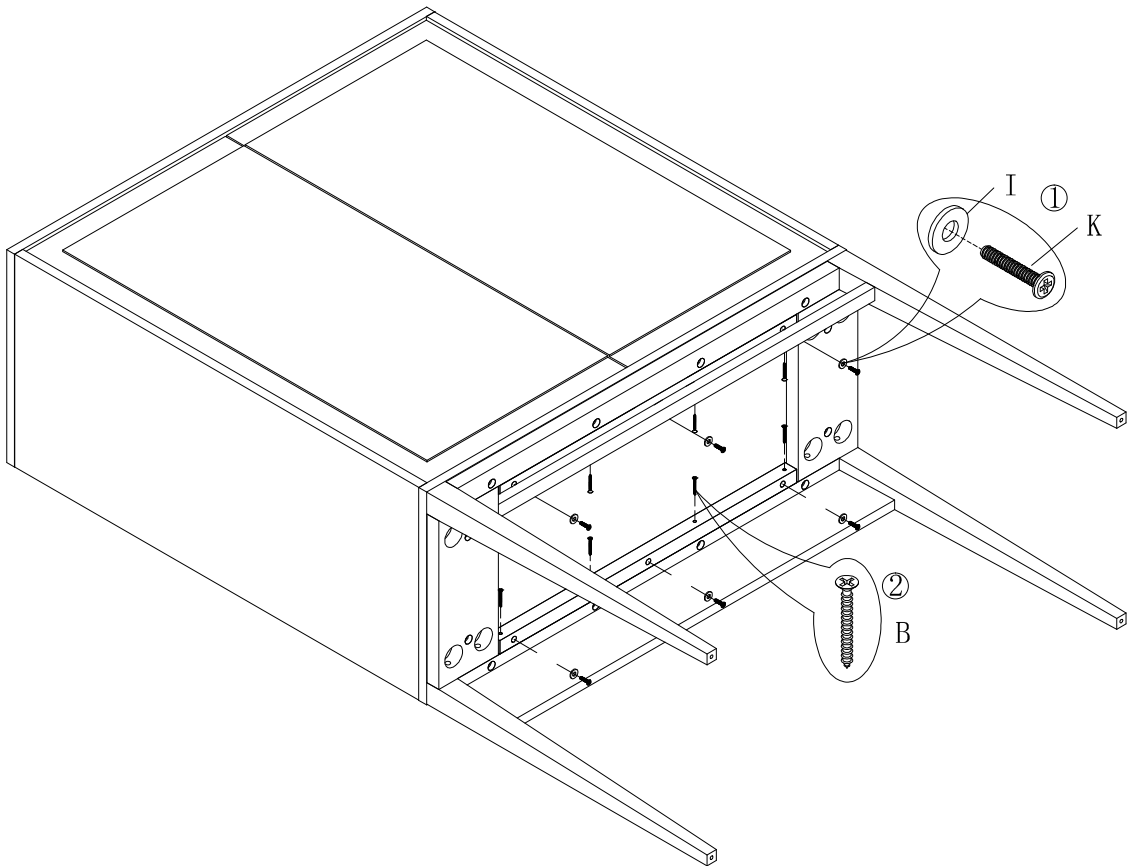
2

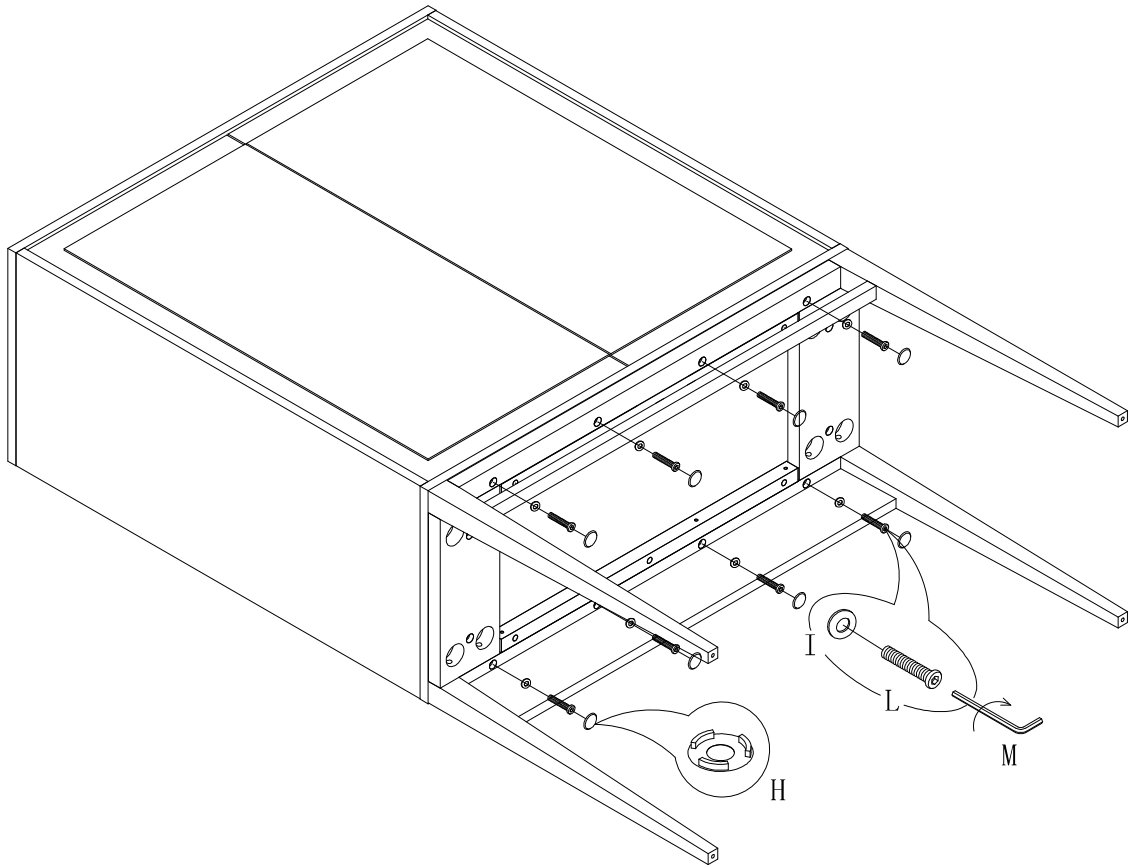




3

4





5

6

