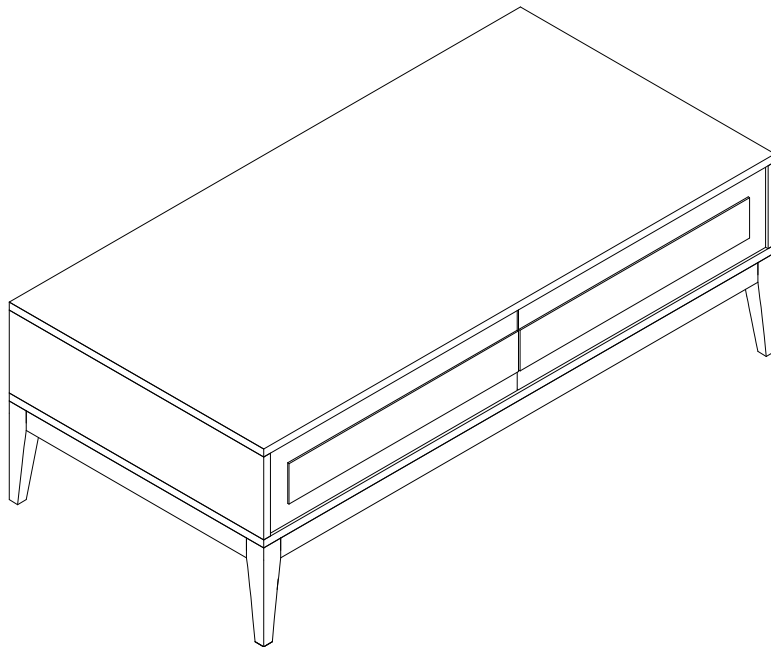
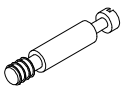
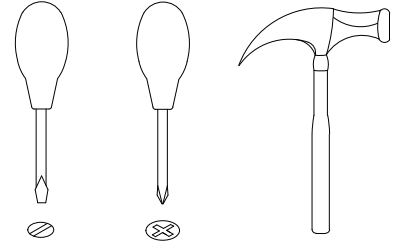
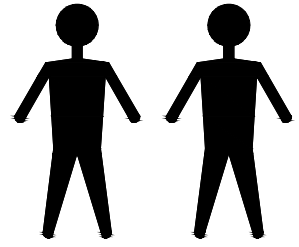




CP1709G9



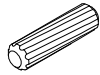
CP1709G9



A x20
Spec: $\phi 7 * L30$



B x20
Spec: $\phi 15 * H12$



C x28
Spec: $\phi 8 * 30$



D x8
Spec: $\phi 6 * L28$



E x8
Spec: $\phi 12 * H9$



F x12
Spec:



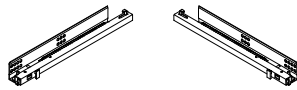
G x8
Spec: $\phi 6 * L8$



H x8
Spec: $\phi 3.5 * L35$



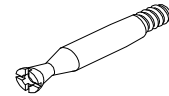
AAA x8
Spec: $\phi 3.8 * L12$



J x2
Spec: L400



M x28
Spec:



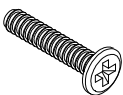
N x8
Spec: $\phi 7 * L48$



O x8
Spec: $\phi 15 * H15$



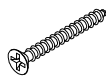
P x12
Spec: $\phi 8 * \phi 14$



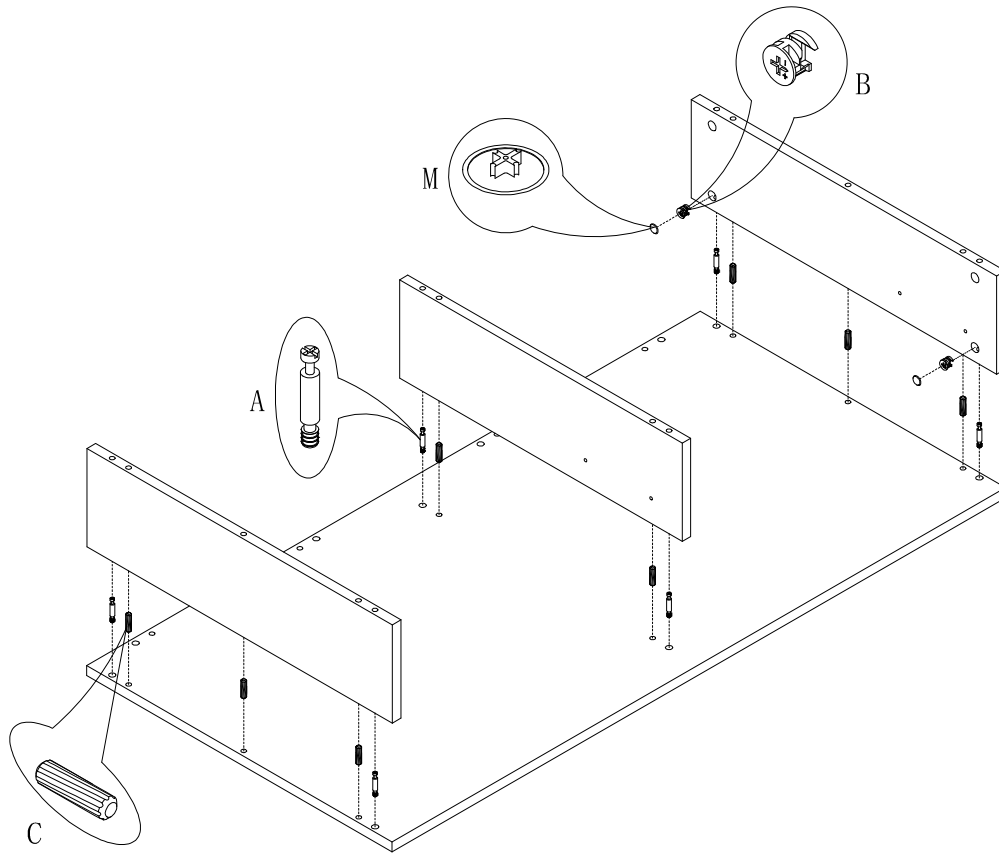
Q x4
Spec: M6*45



R x8
Spec: M6*35

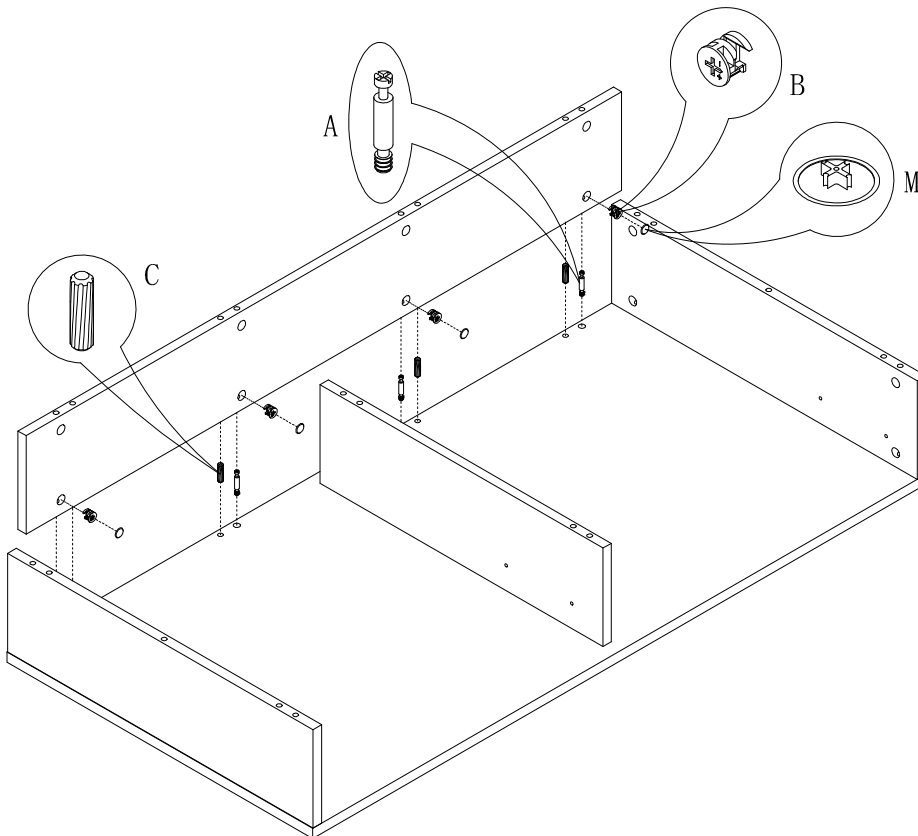


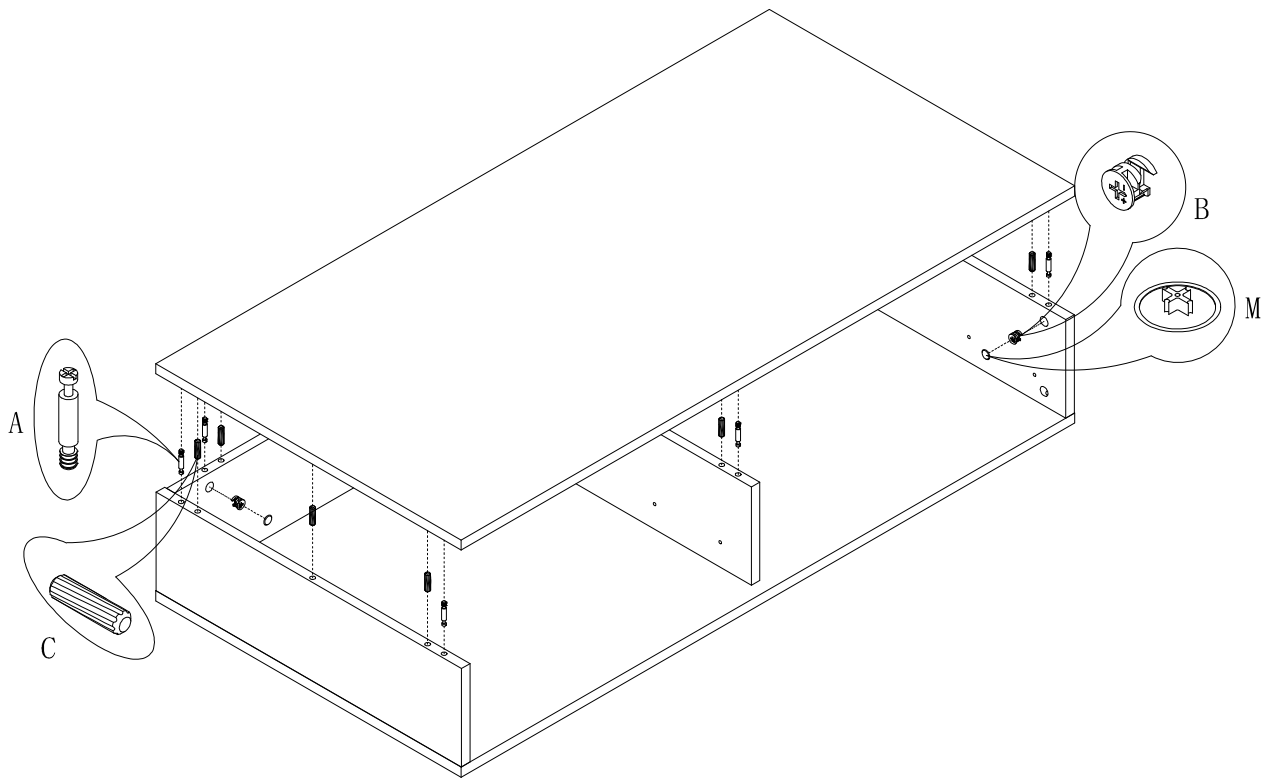
S x10
Spec: $\phi 3.8 * L38$



1

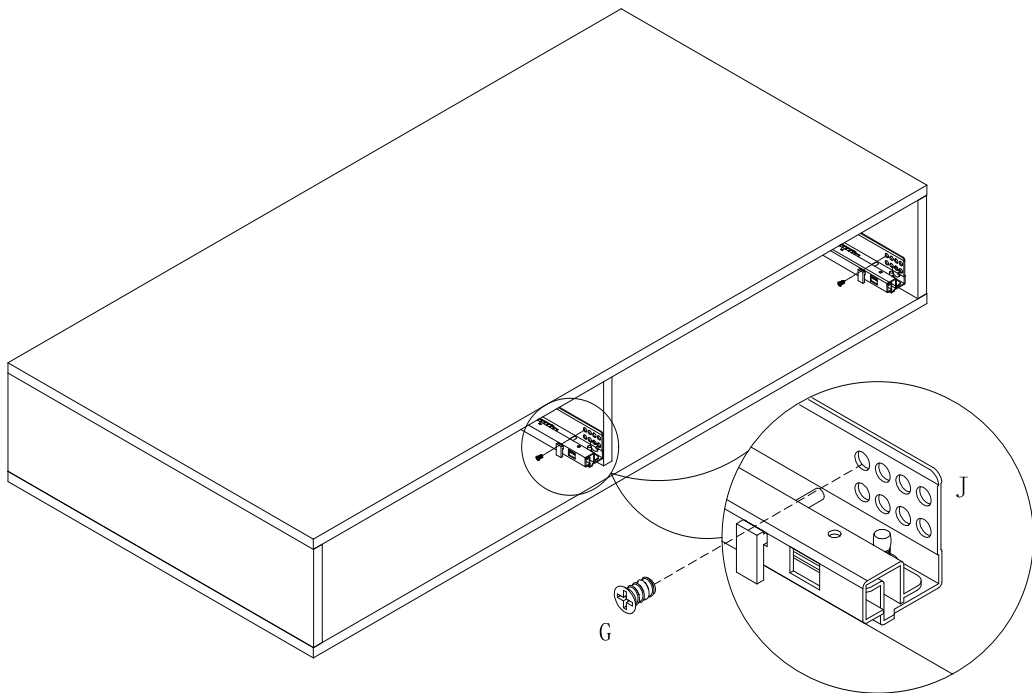
2

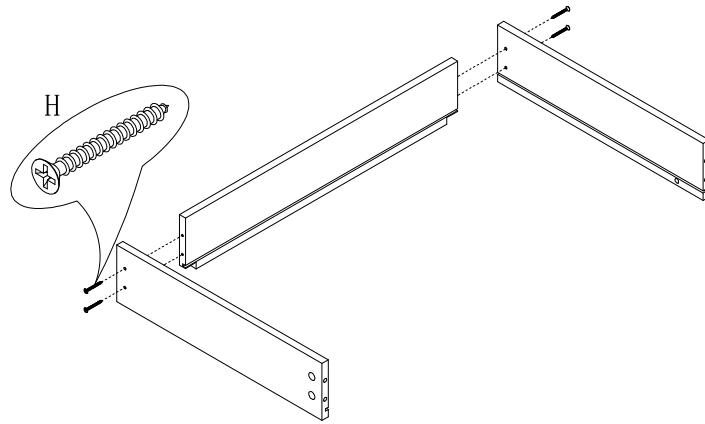




3

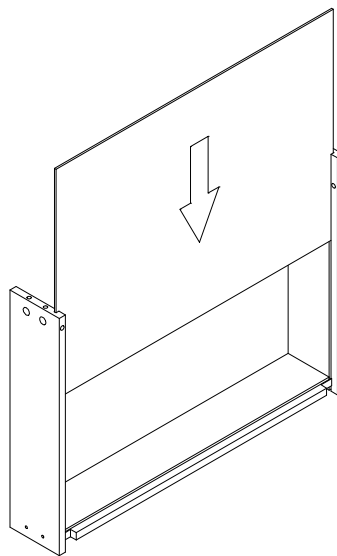
4

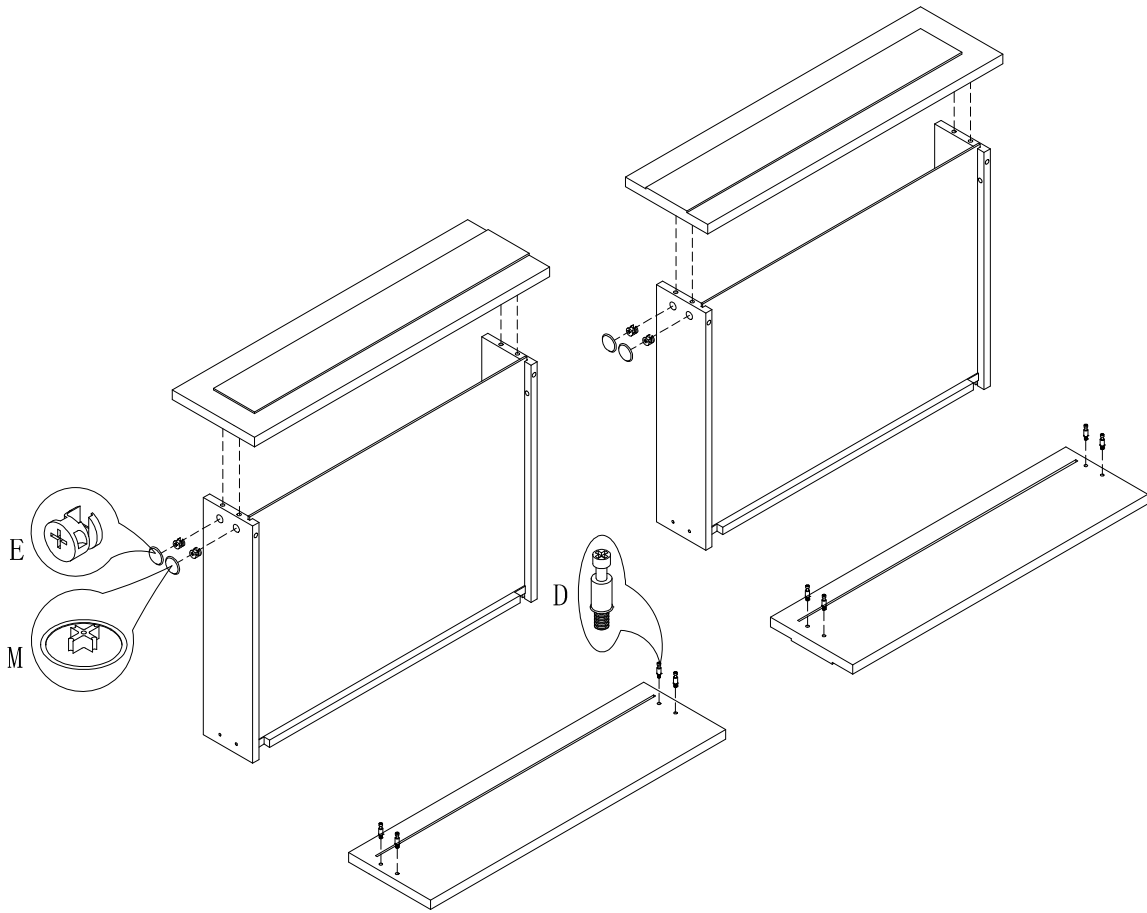




5

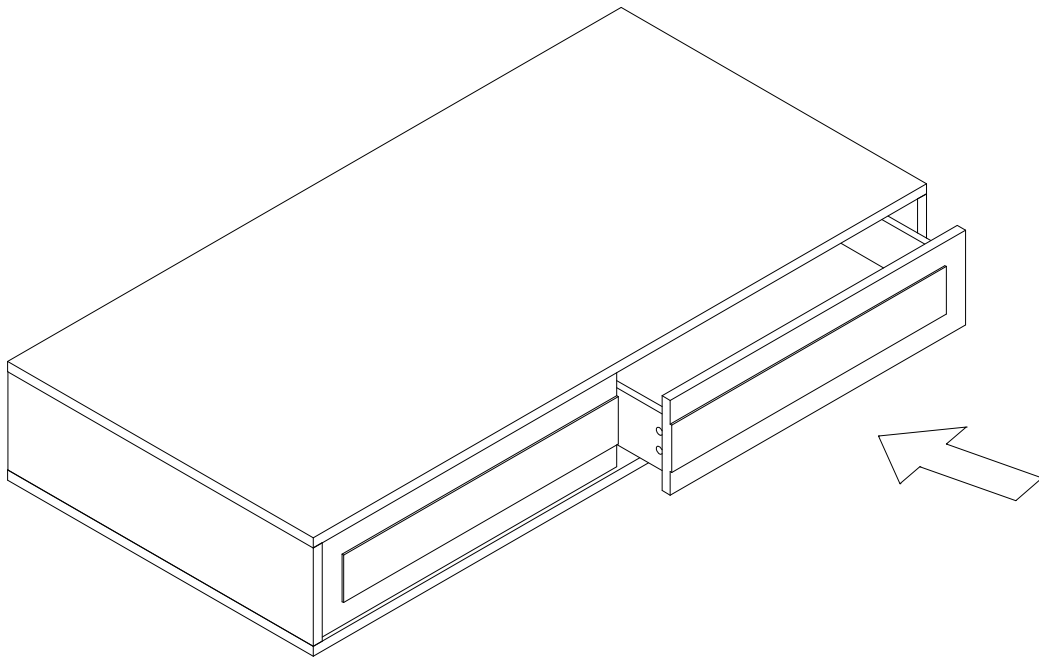
6

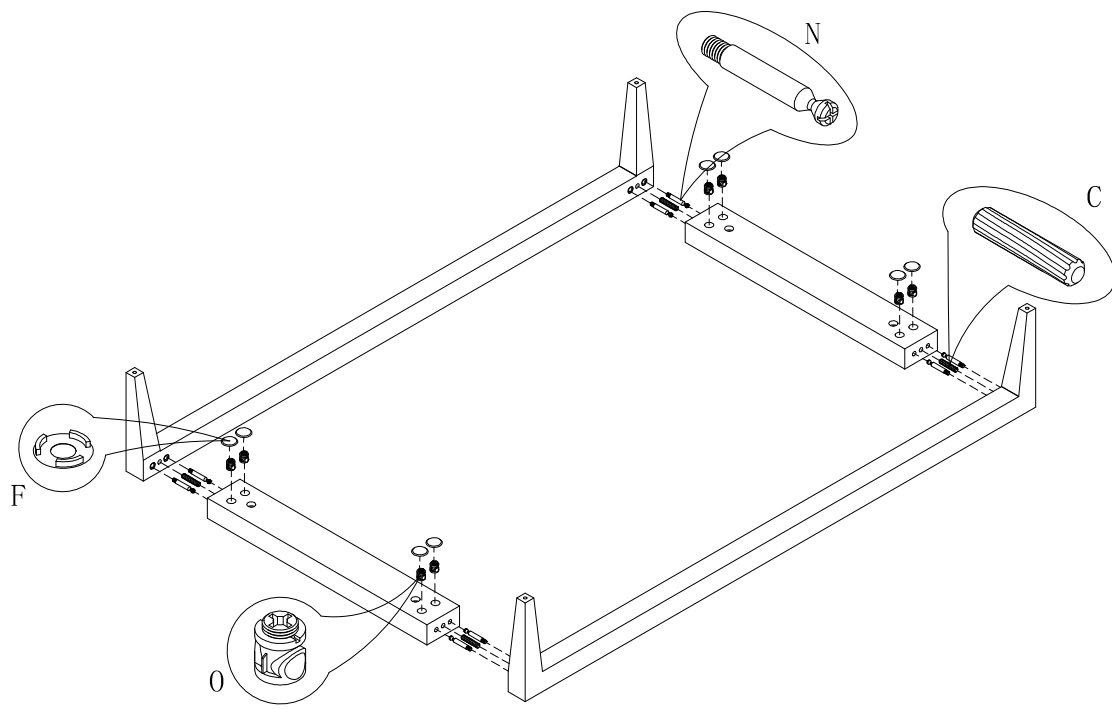




7

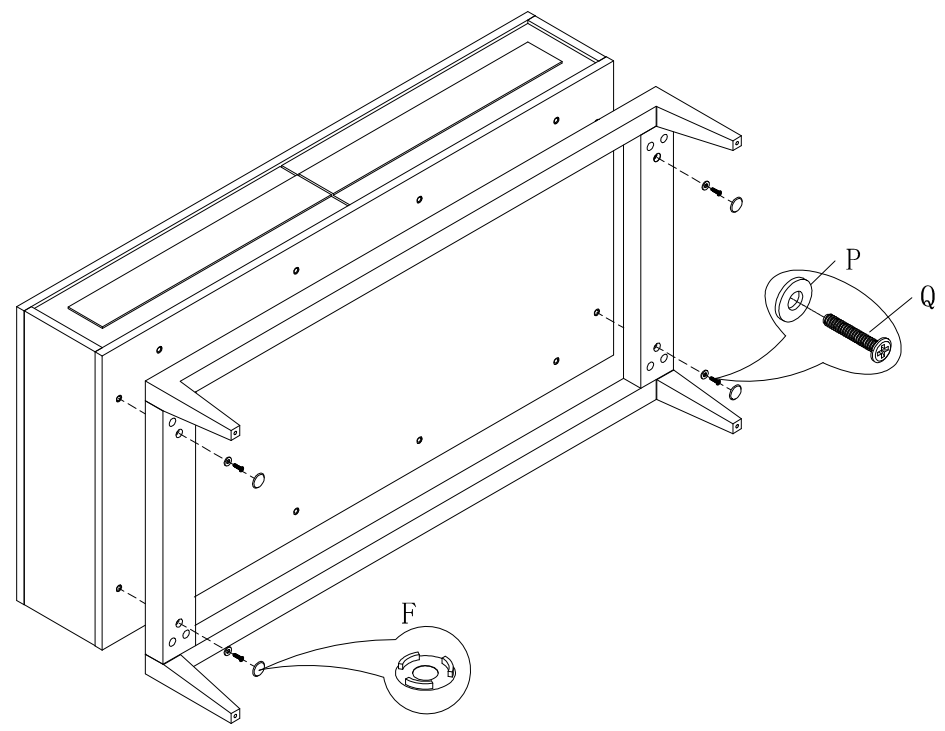
8

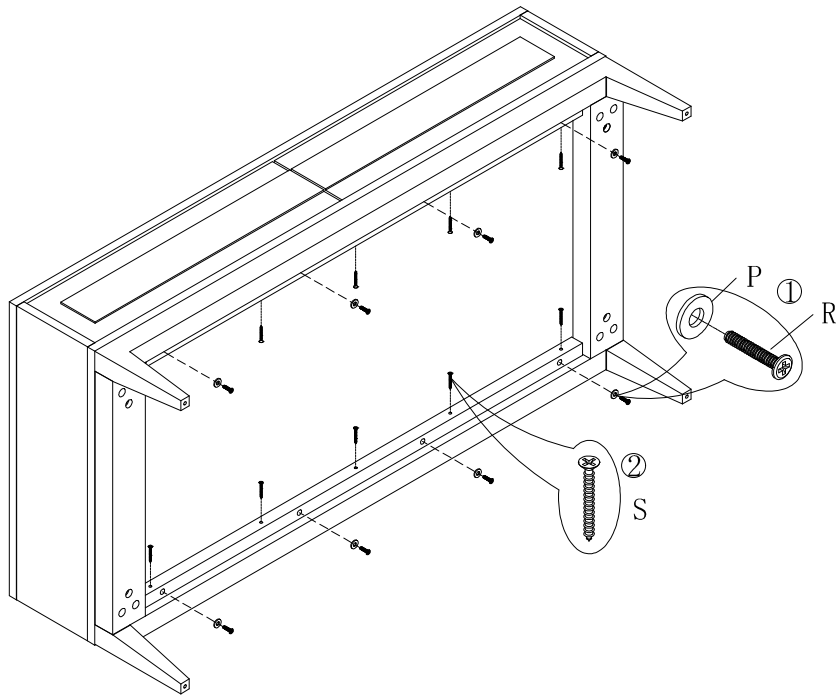




9

10





11

12

