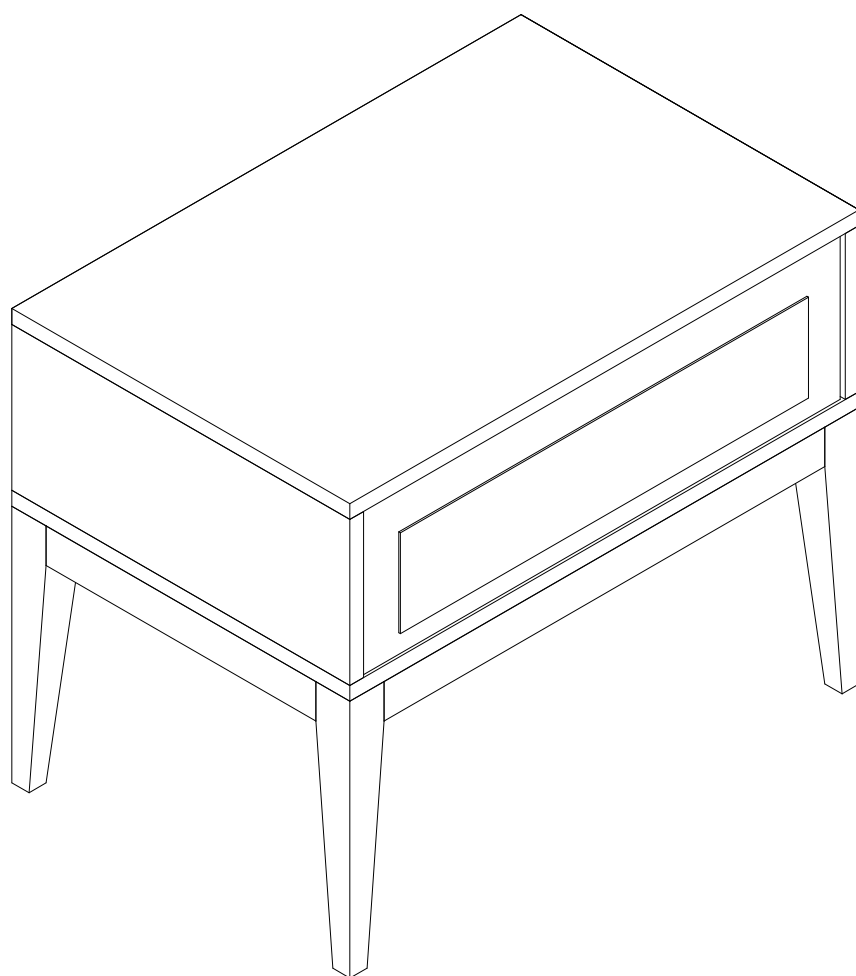
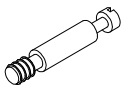
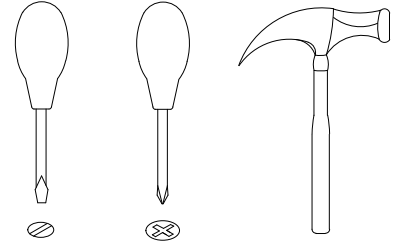
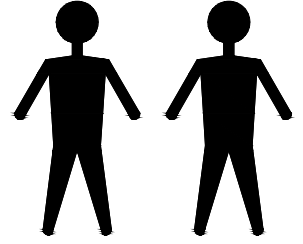


MOD
interiors

CP1709H7



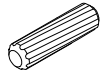
CP1709H7



A x8
Spec: $\phi 7 * L30$



B x8
Spec: $\phi 15 * H12$



C x12
Spec: $\phi 8 * 30$



D x4
Spec: $\phi 6 * L28$



E x4
Spec: $\phi 12 * H9$



F x4
Spec: $\phi 6 * 30$



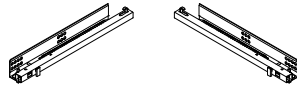
G x4
Spec: $\phi 6 * L8$



H x4
Spec: $\phi 3.5 * L35$



I x12
Spec:



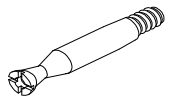
J x1
Spec: L350



K x4
Spec: H13



L x4
Spec: $\phi 3.5 * L16$



M x8
Spec: $\phi 7 * L48$



N x8
Spec: $\phi 15 * H15$



O x12
Spec:



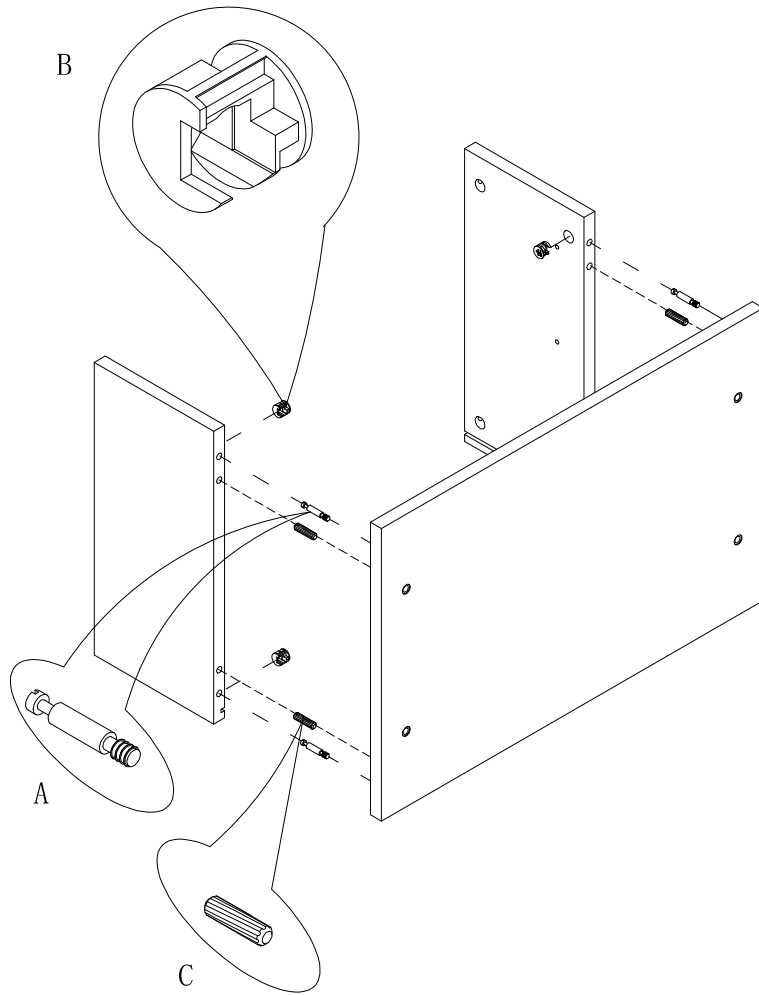
P x4
Spec: $\phi 8 * \phi 14$



Q x4
Spec: M6*45

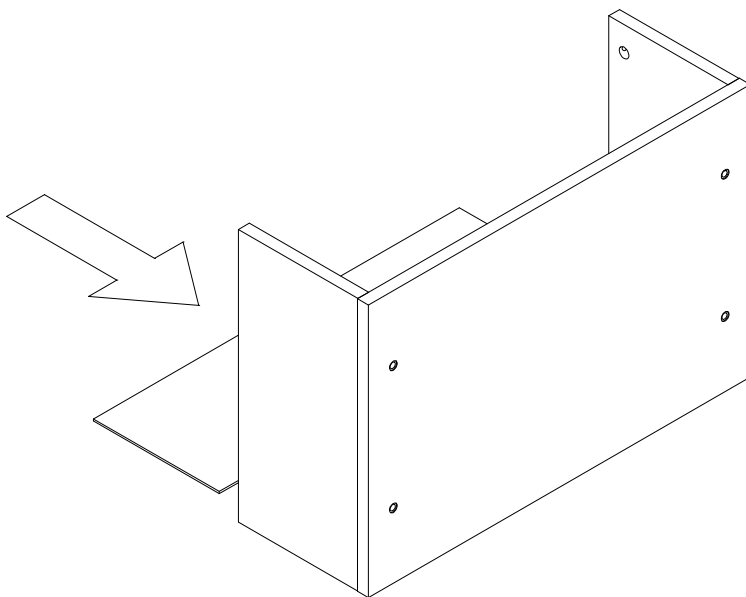


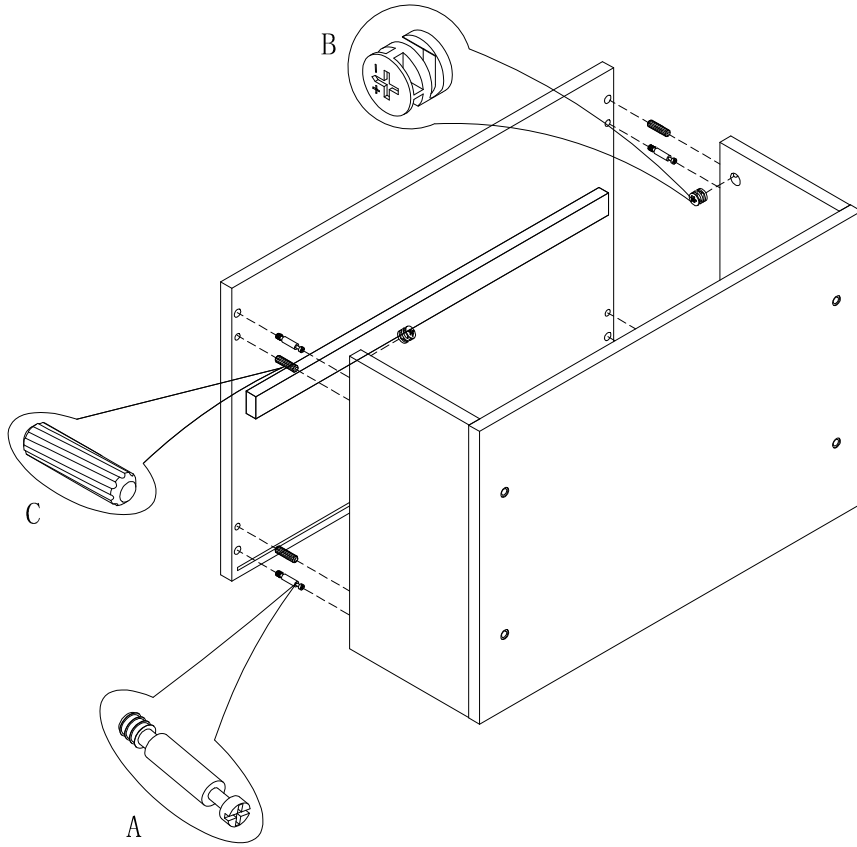
AAA x4
Spec: $\phi 3.8 * L12$



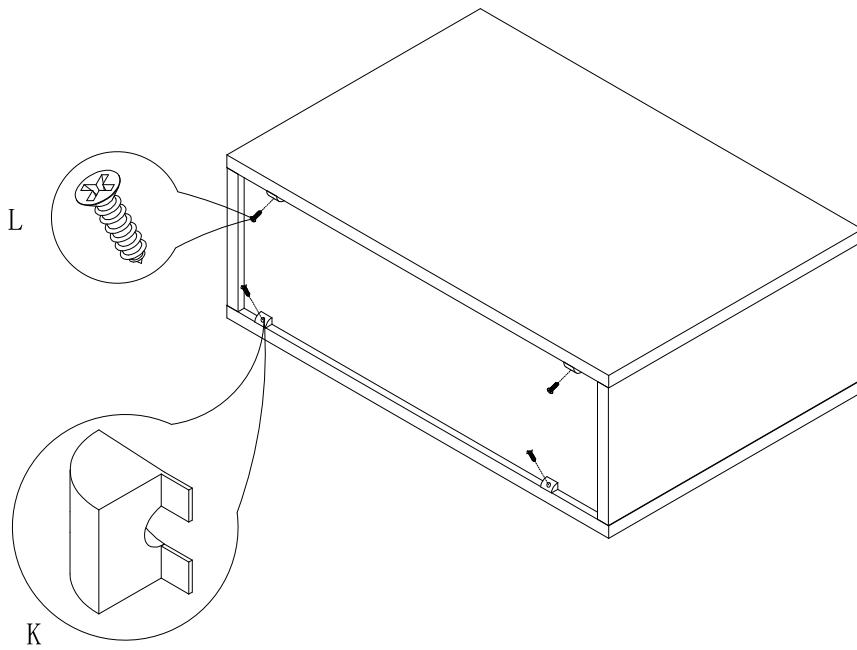
1

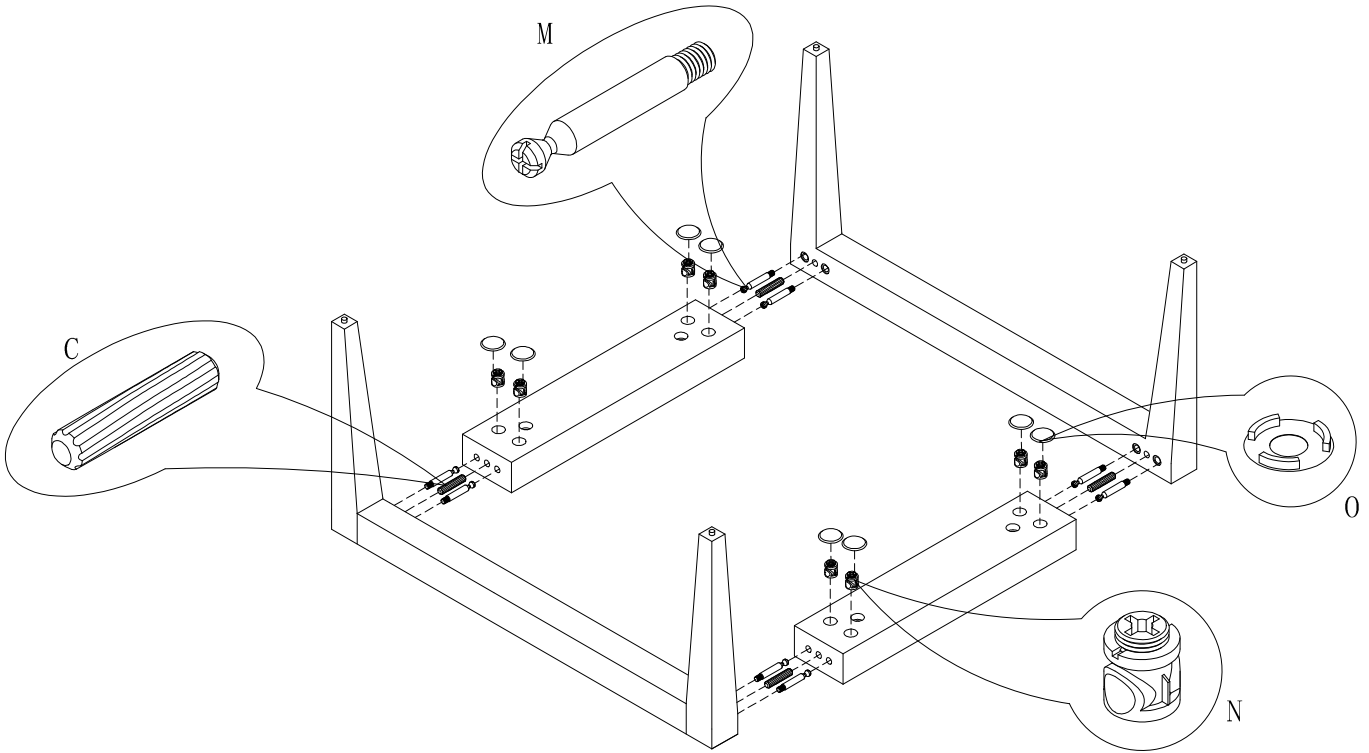
2





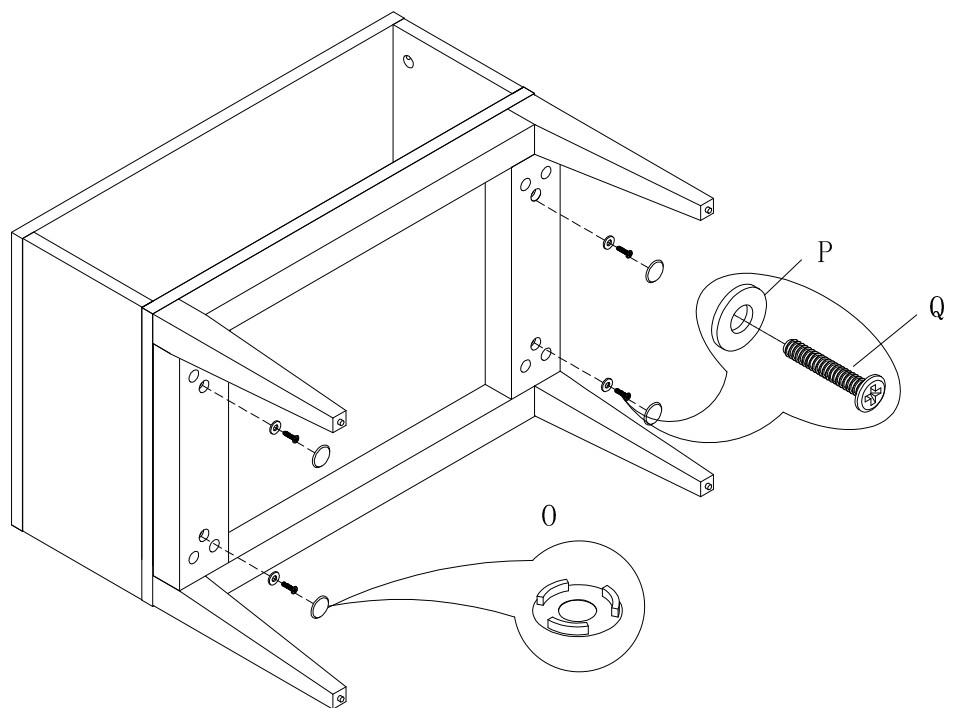
4

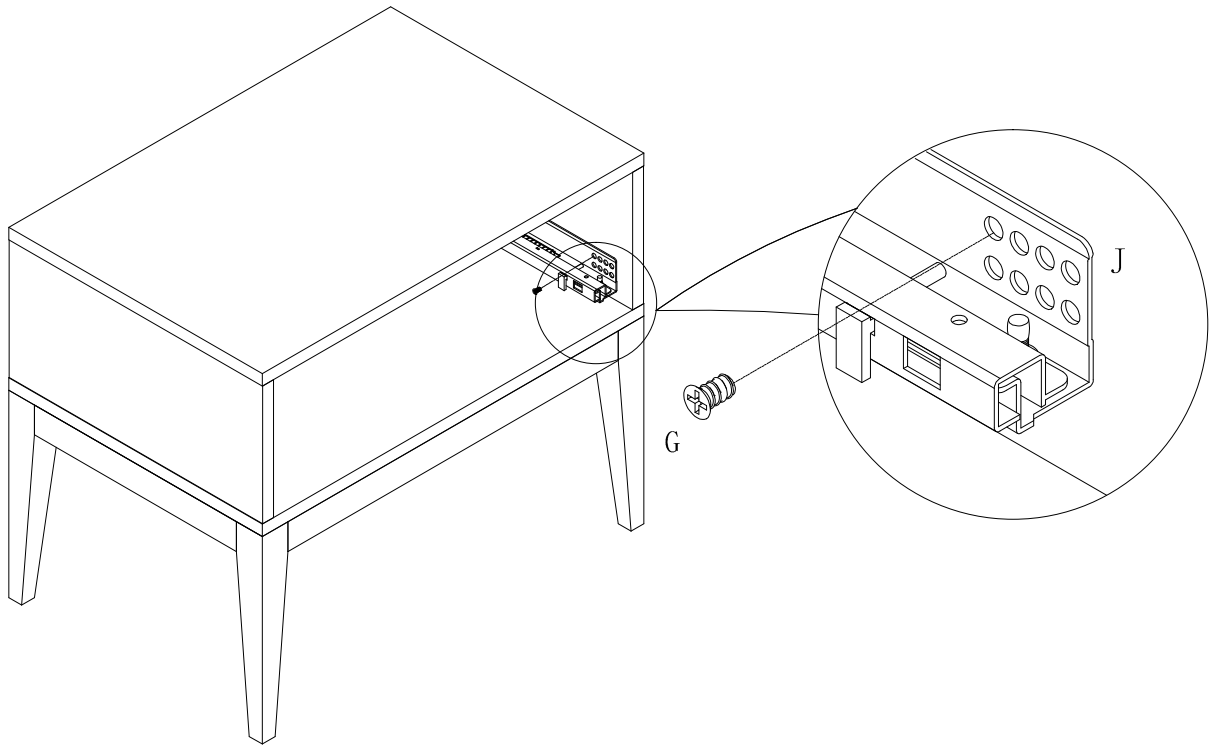




5

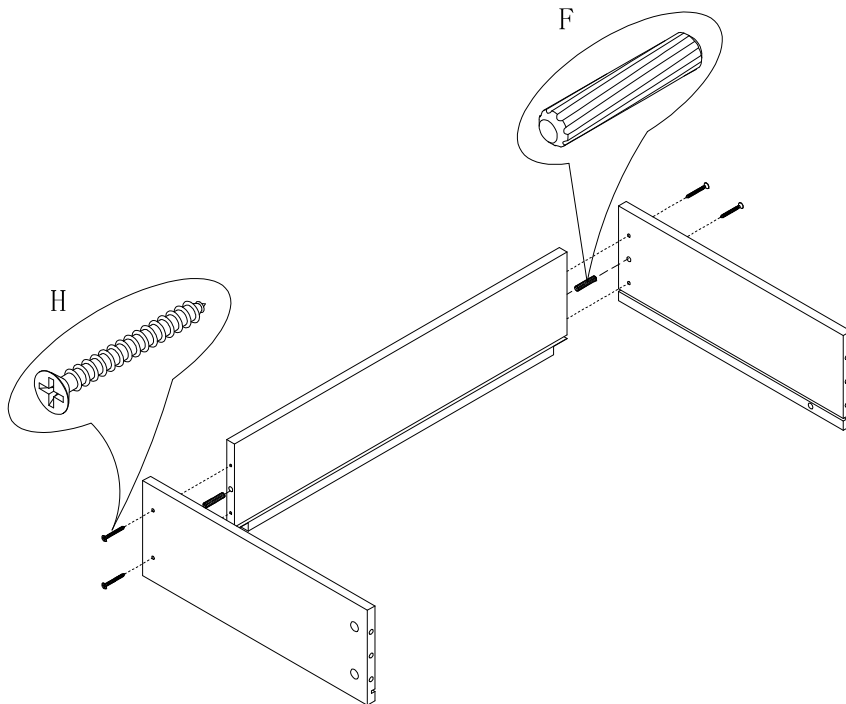
6

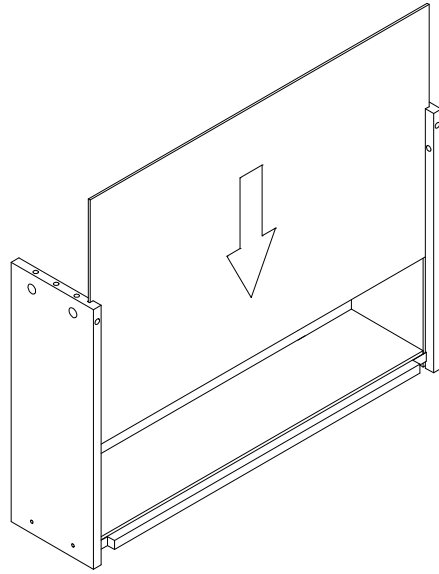




7

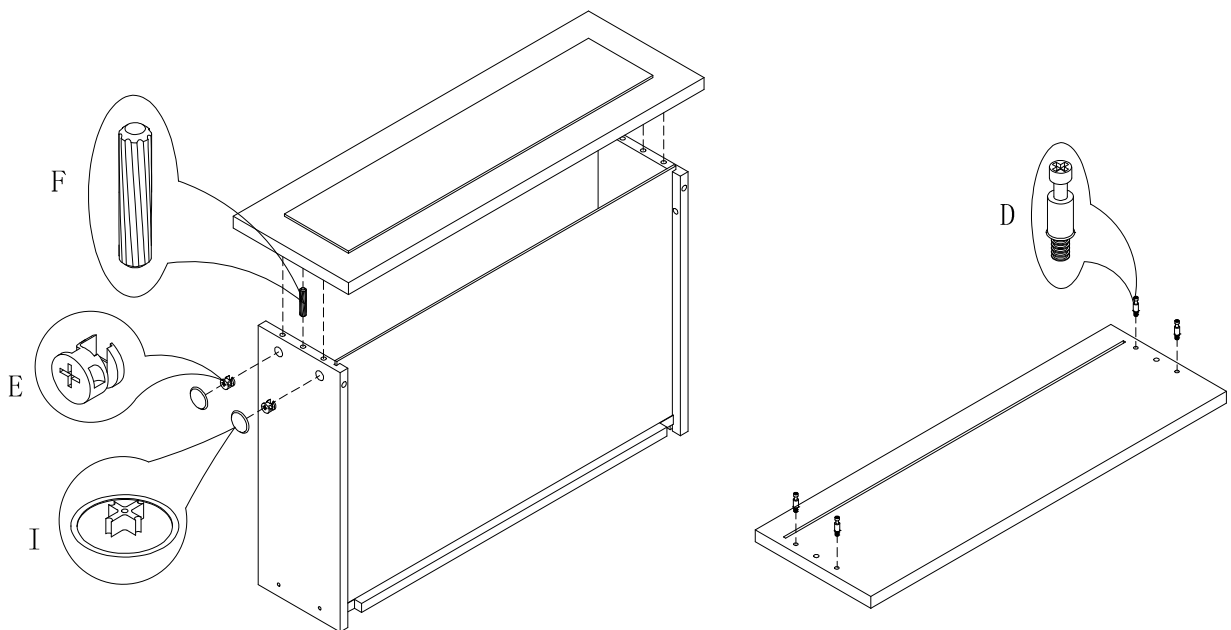
8

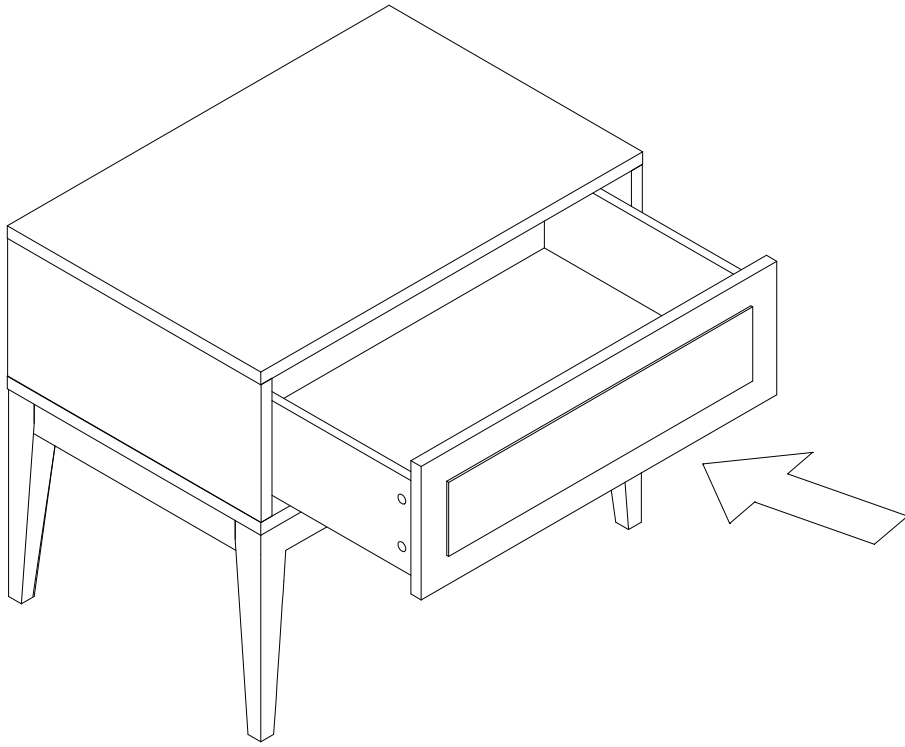




9

10





11
