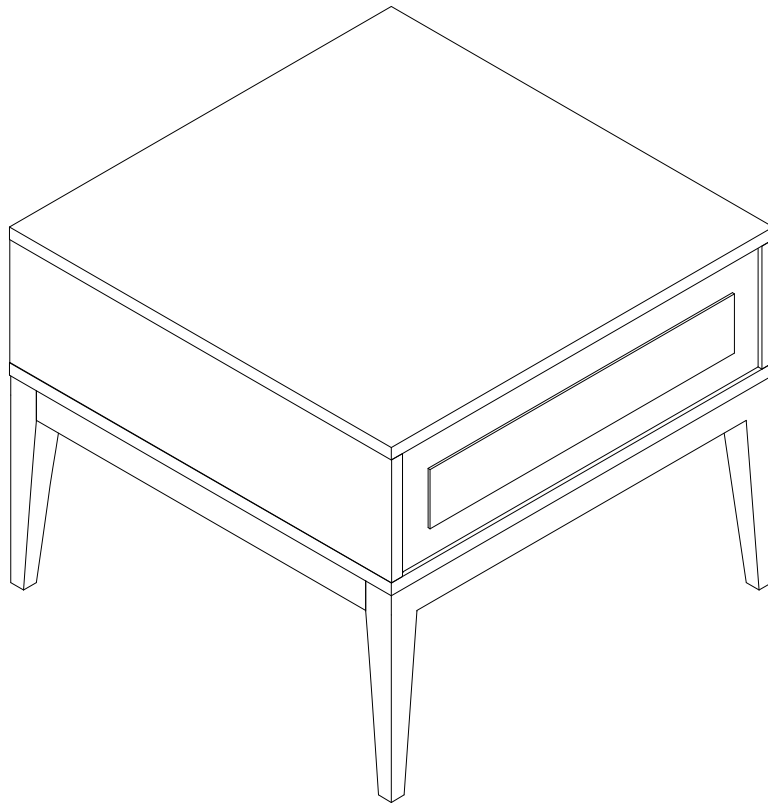


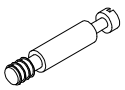
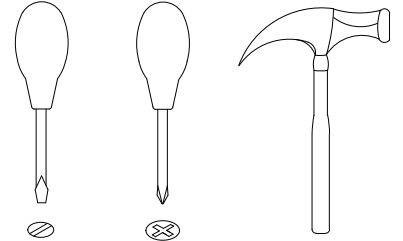
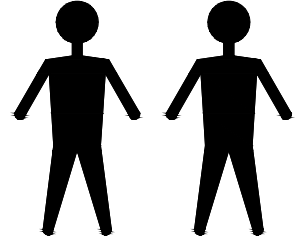
**MOD**  
interiors

# CP1709I9



**EAC**

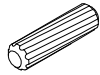
# # CP1709I9



A x12  
Spec:  $\varnothing 7 * L30$



B x12  
Spec:  $\varnothing 15 * H12$



C x20  
Spec:  $\varnothing 8 * 30$



D x4  
Spec:  $\varnothing 6 * L28$



E x4  
Spec:  $\varnothing 12 * H9$



AAA x4  
Spec:  $\varnothing 3.8 * L12$



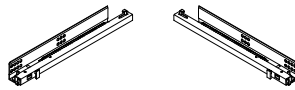
G x4  
Spec:  $\varnothing 6 * L8$



H x4  
Spec:  $\varnothing 3.5 * L35$



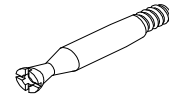
I x12  
Spec:



J x1  
Spec: L400



M x16  
Spec:



N x8  
Spec:  $\varnothing 7 * L48$



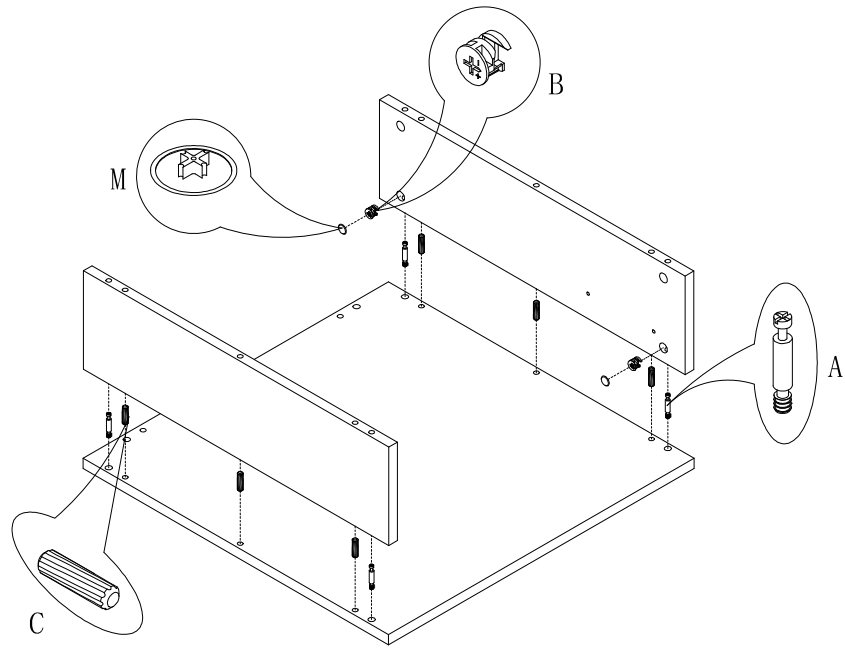
O x8  
Spec:  $\varnothing 15 * H15$



P x4  
Spec:  $\varnothing 8 * \varnothing 14$

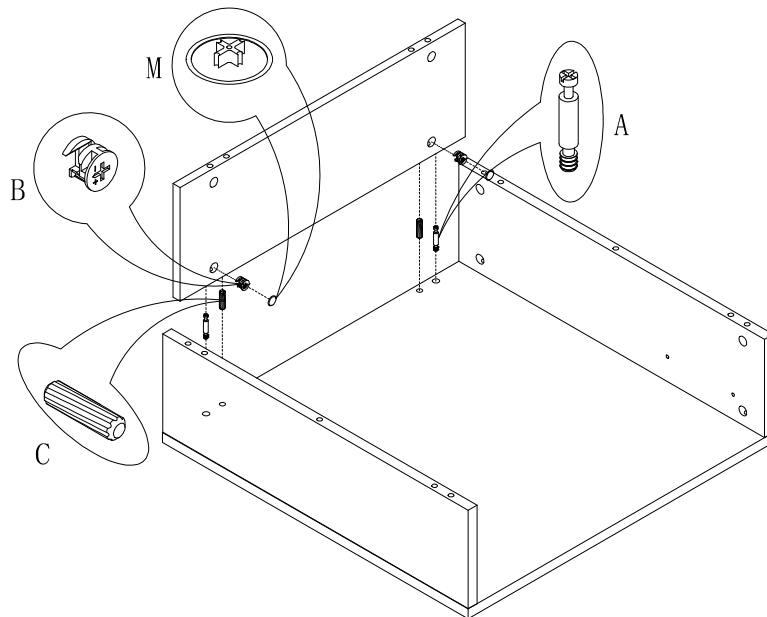


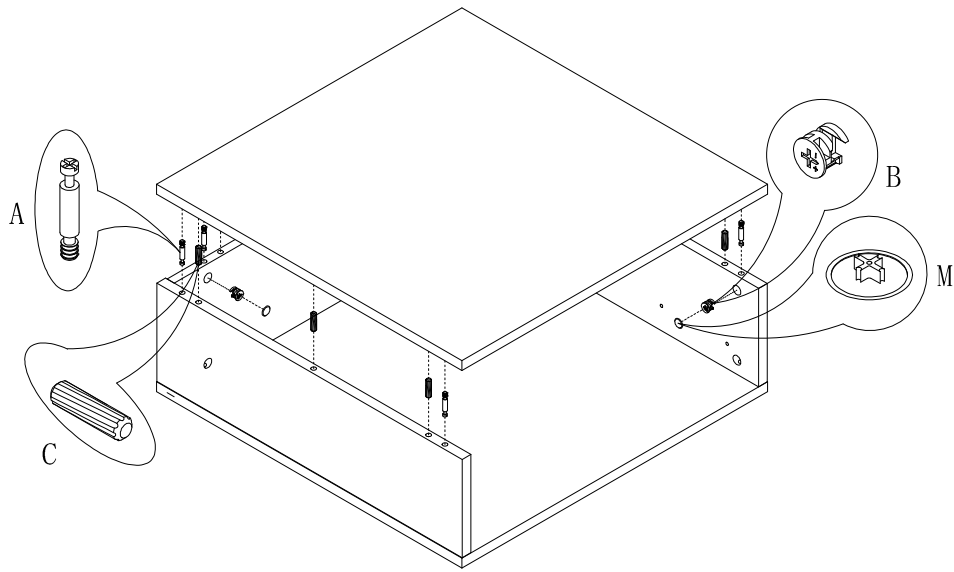
Q x4  
Spec: M6\*45



1

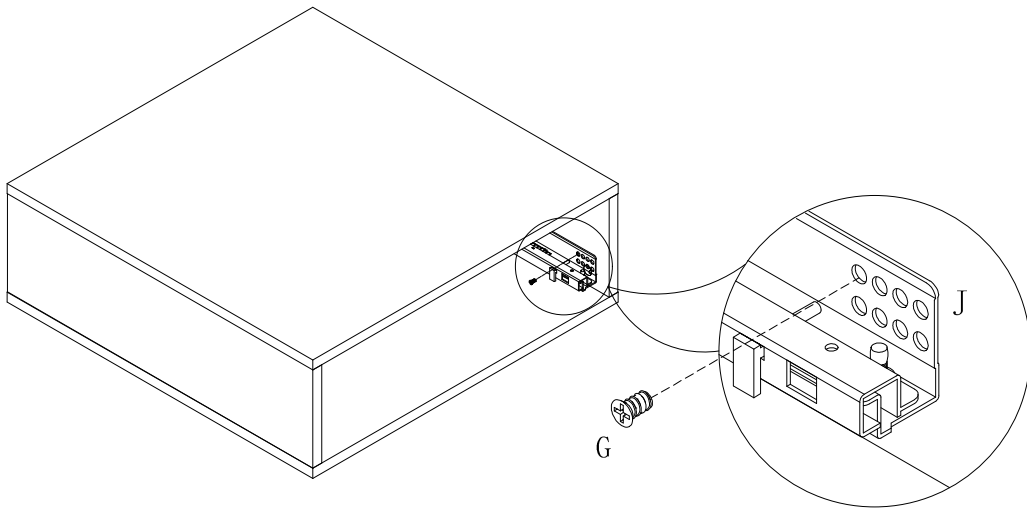
2

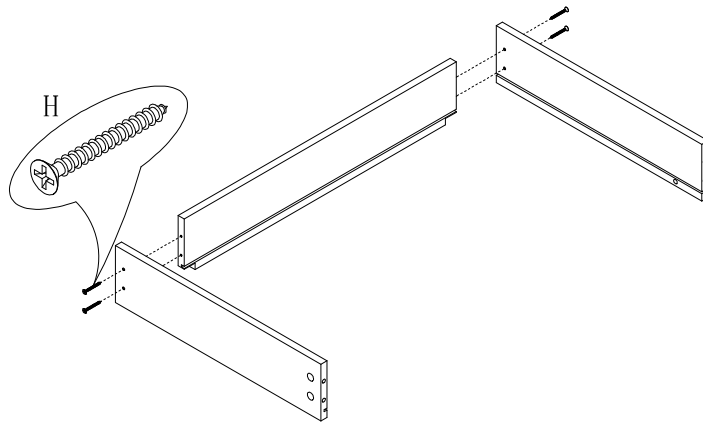




3

4

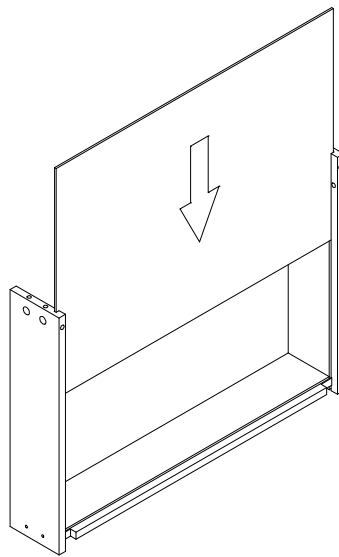


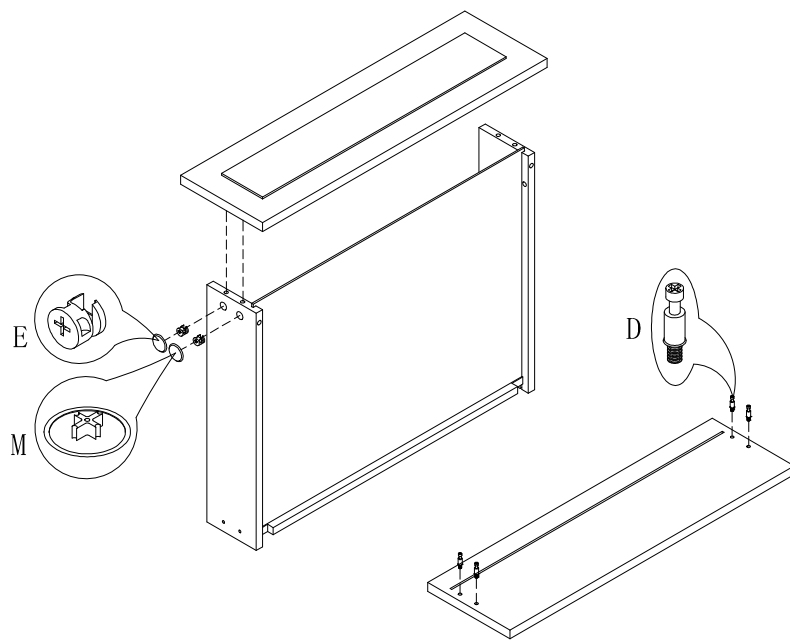


5

---

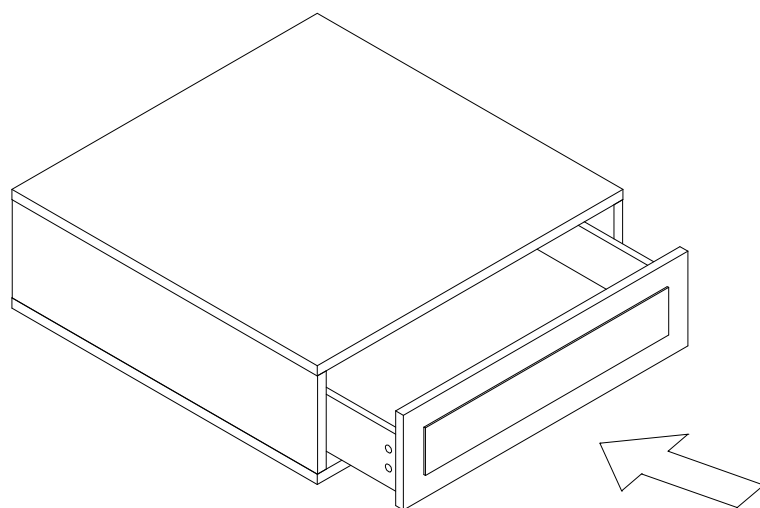
6

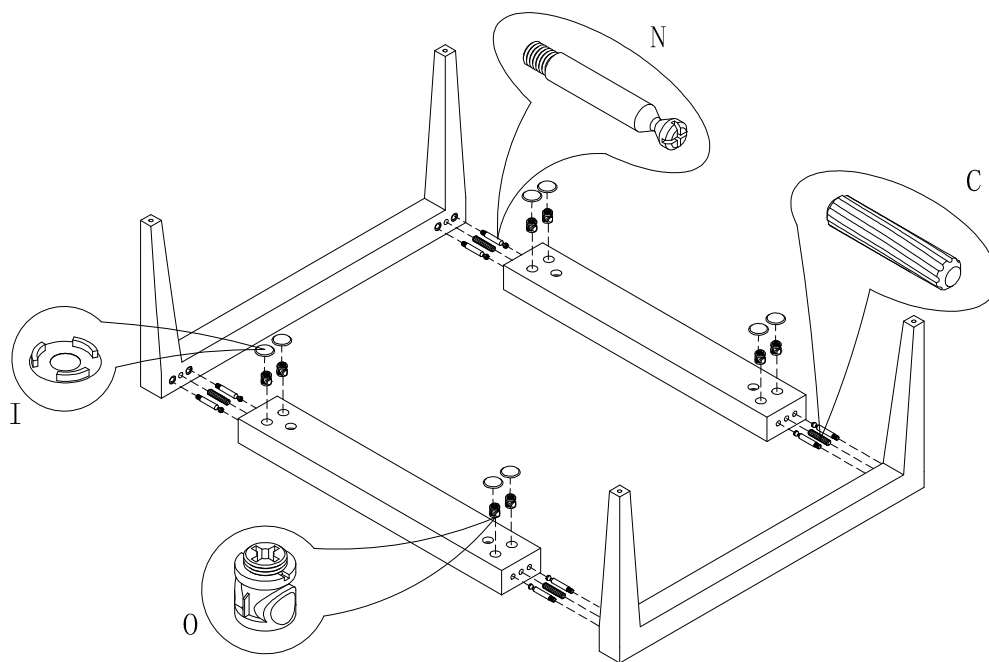




7

8





9

10

