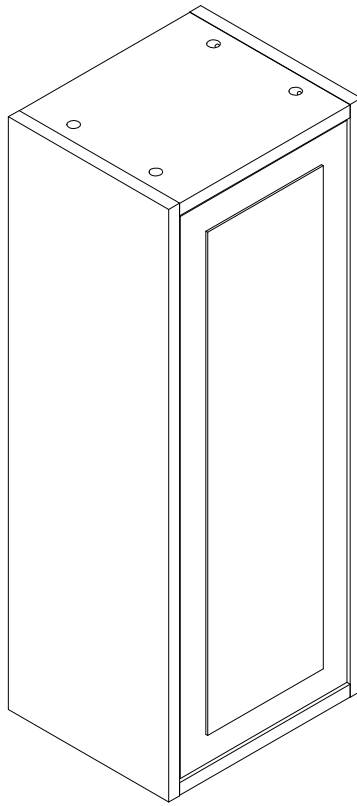


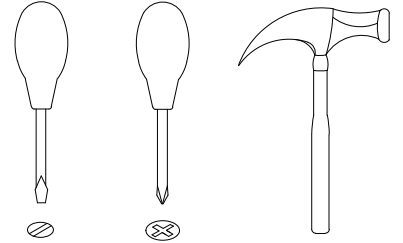
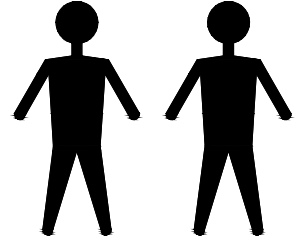


# CP1709TV2 (D)

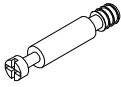


**EAC**

# # CP1709TV2 (D)



A x16  
Spec:  $\phi 8 \times 30$



B x8  
Spec:  $\phi 7 \times L30$



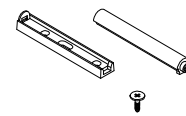
C x8  
Spec:  $\phi 15 \times H12$



D x6  
Spec:  $\phi 6 \times L28$



E x6  
Spec:  $\phi 12 \times H9$



F x1  
Spec:



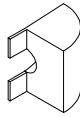
G x2  
Spec:  $\phi 3.5 \times L11$



H x3  
Spec:  $\phi 3.8 \times L38$



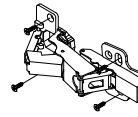
I x5  
Spec:  $\phi 3.5 \times L16$



J x5  
Spec: H13



K x2  
Spec:  $\phi 6 \times 30$



L x2  
Spec: 089#



M x4  
Spec:  $3.8 \times L16$



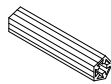
N x14  
Spec:



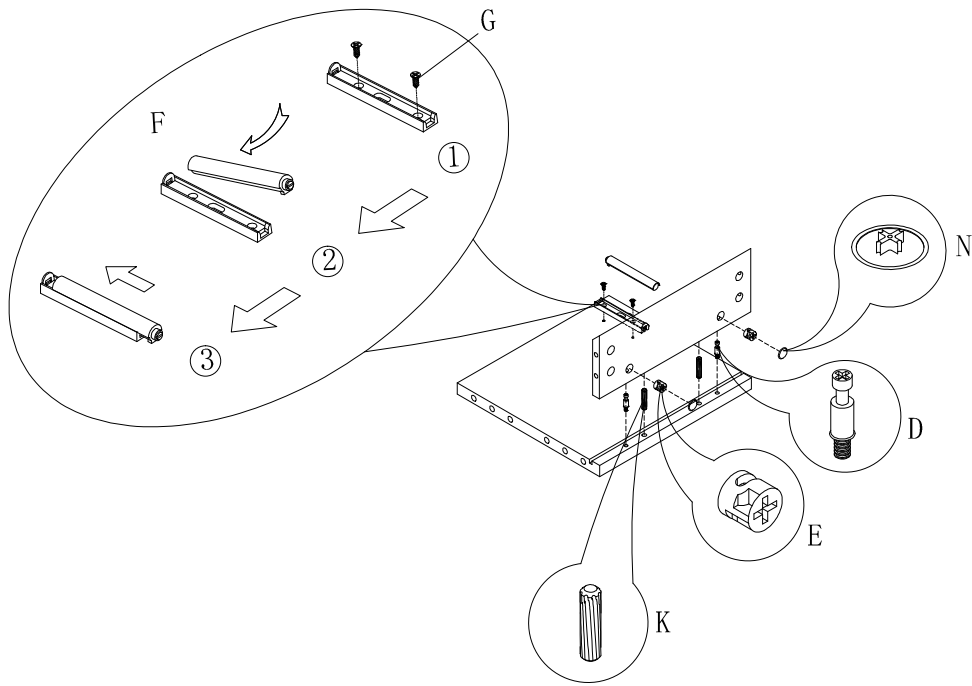
O x8  
Spec:  $\phi 5 \times L19$



P x8  
Spec:  $\phi 20 \times H12$

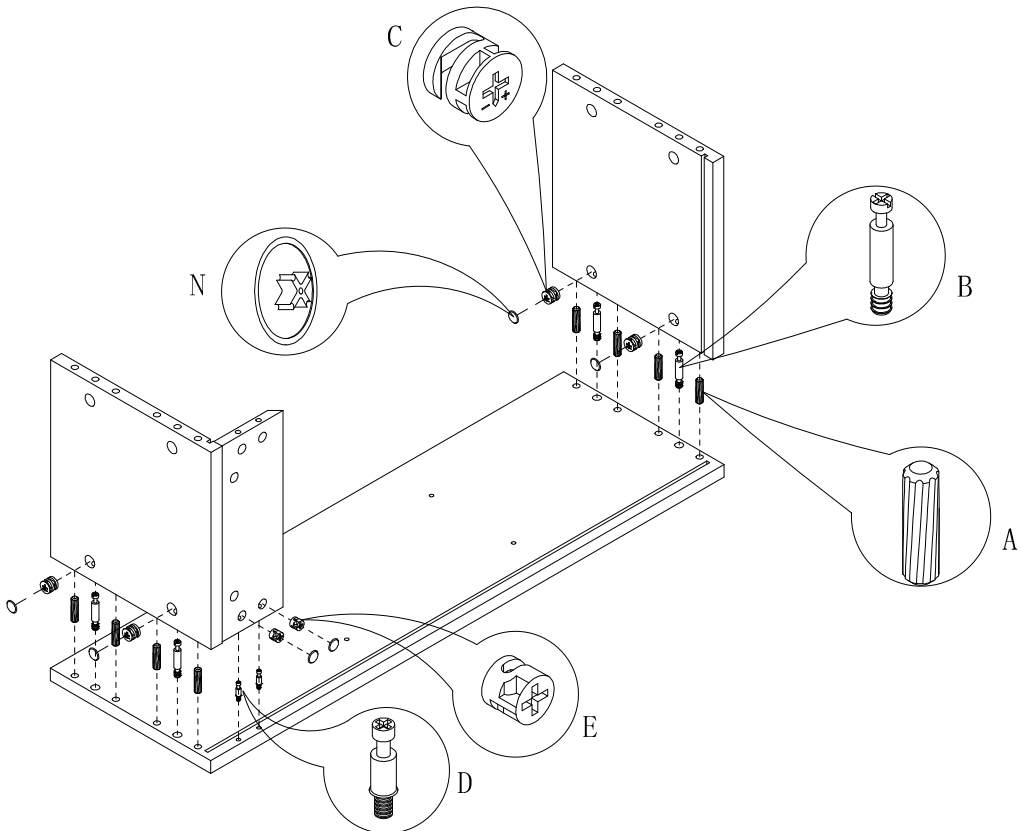


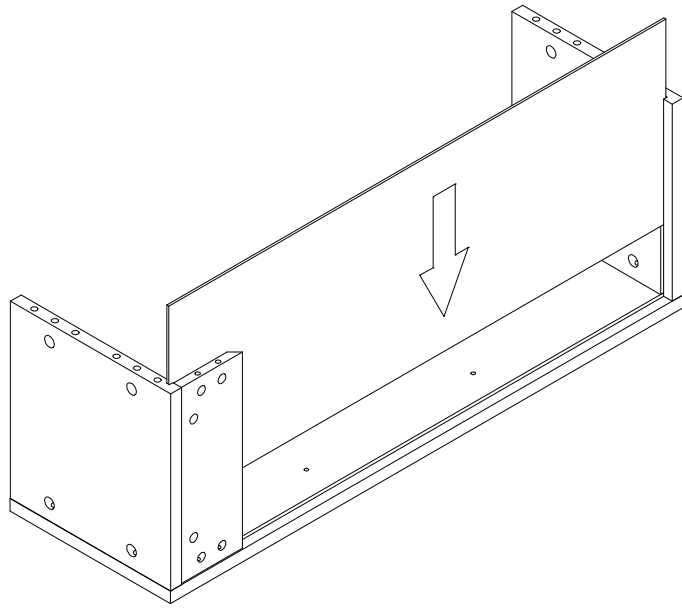
Q x3  
Spec:



1

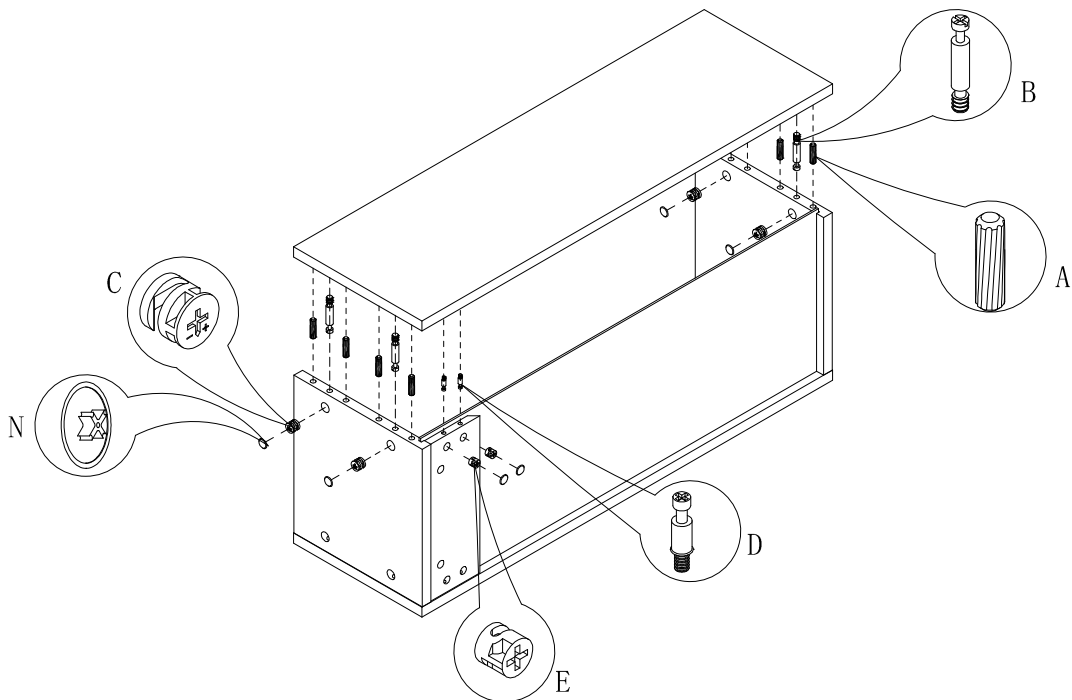
2

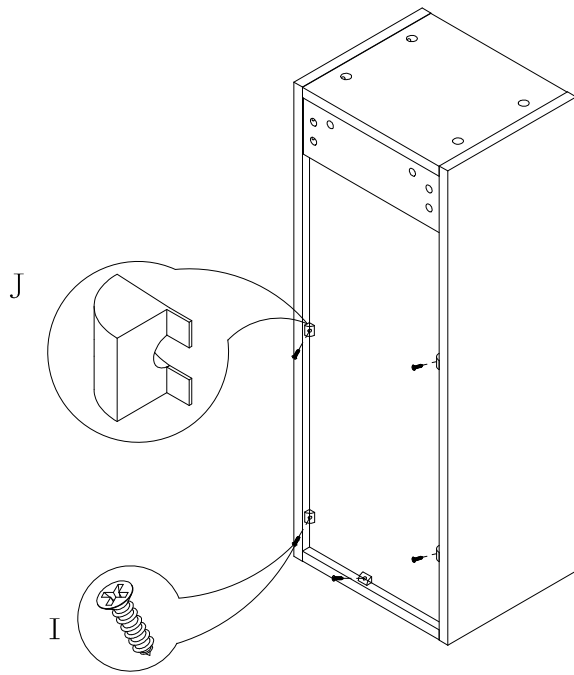




3

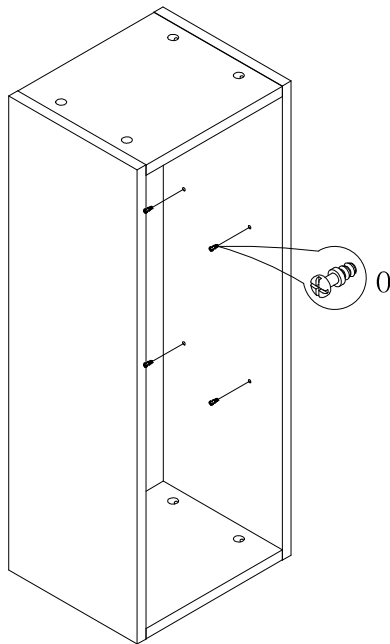
4

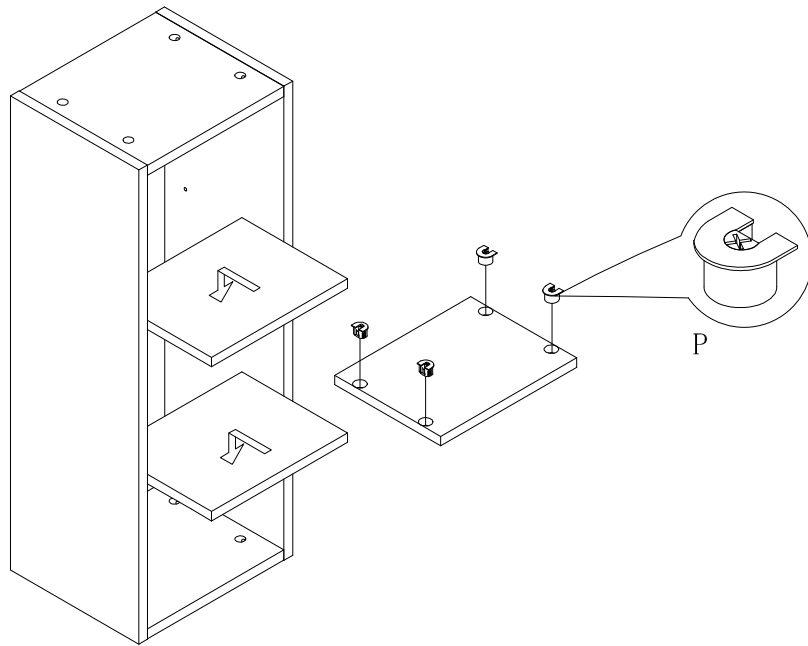




5

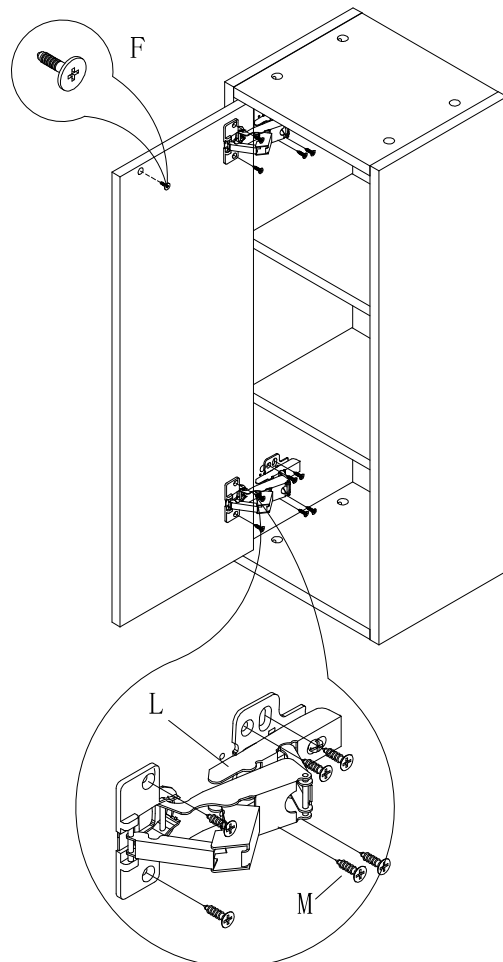
6

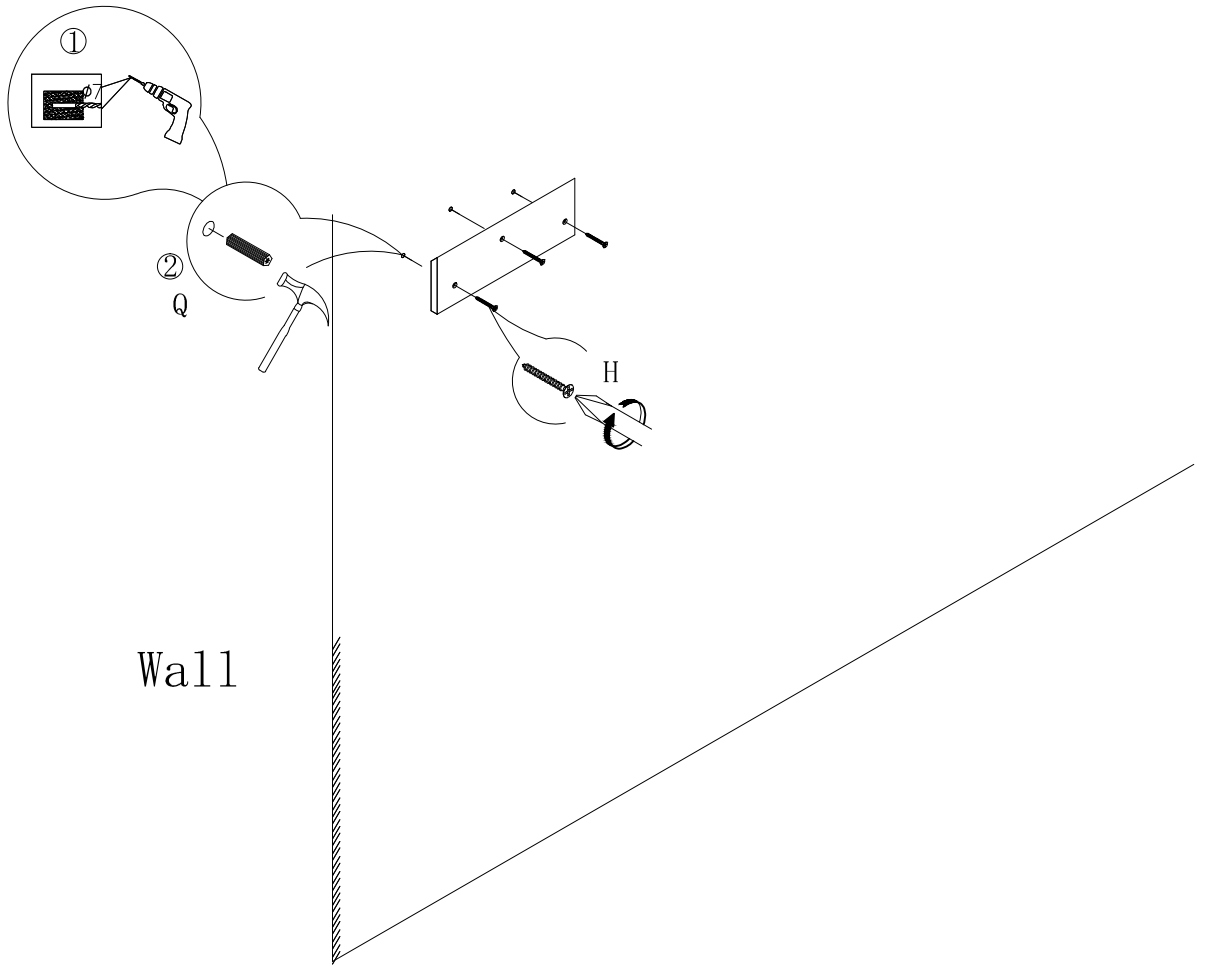




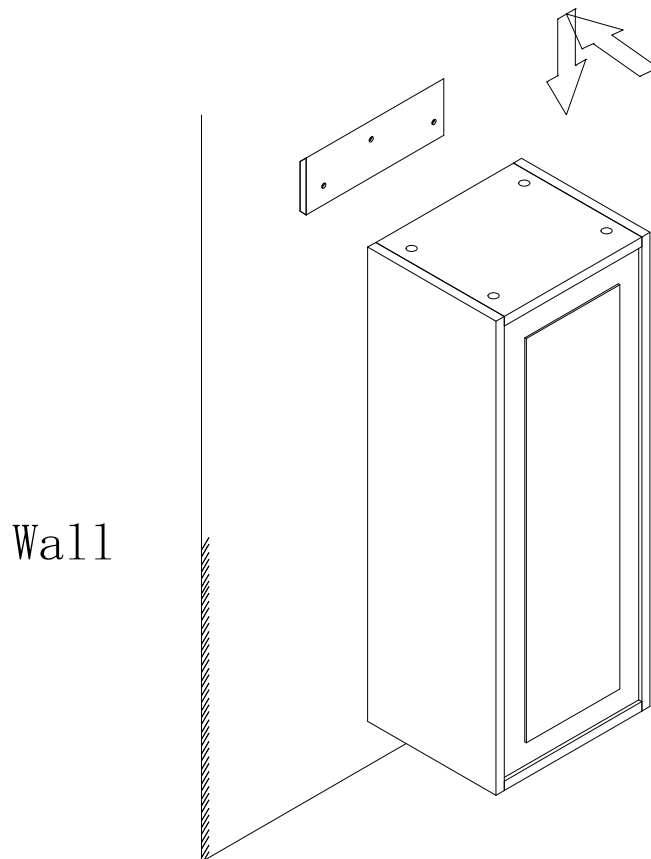
7

8

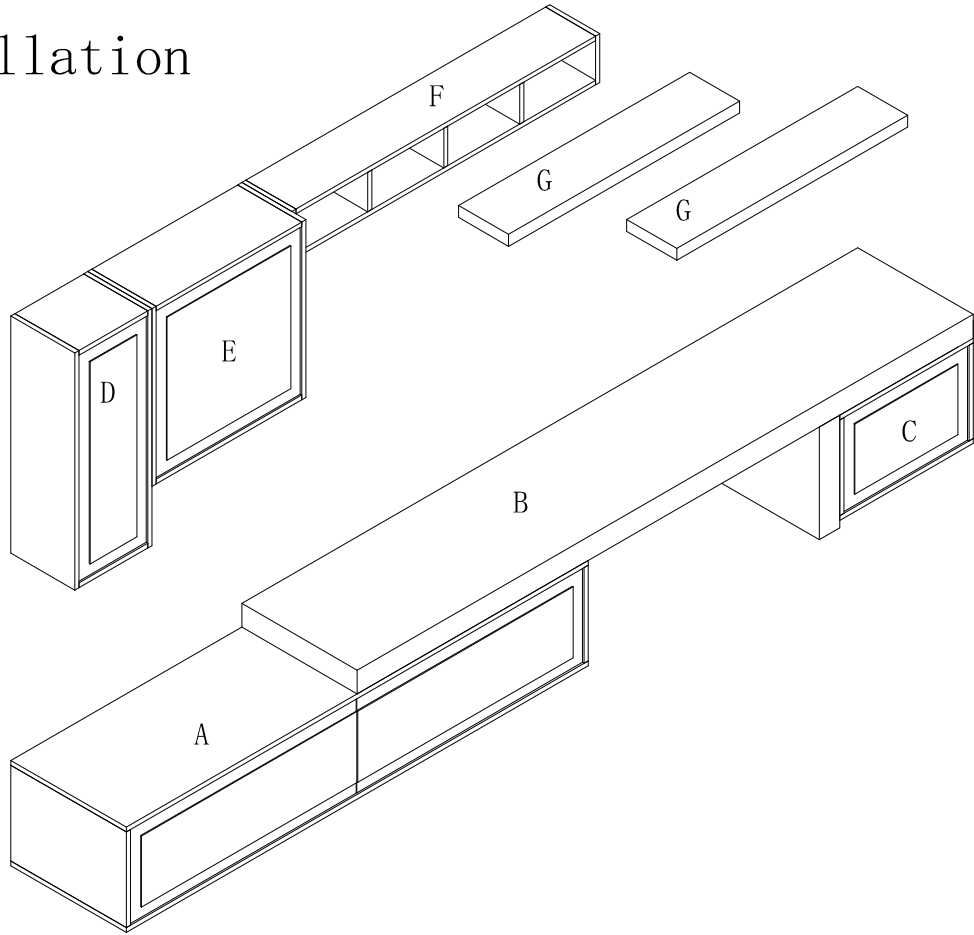




10



# Installation



1

2

