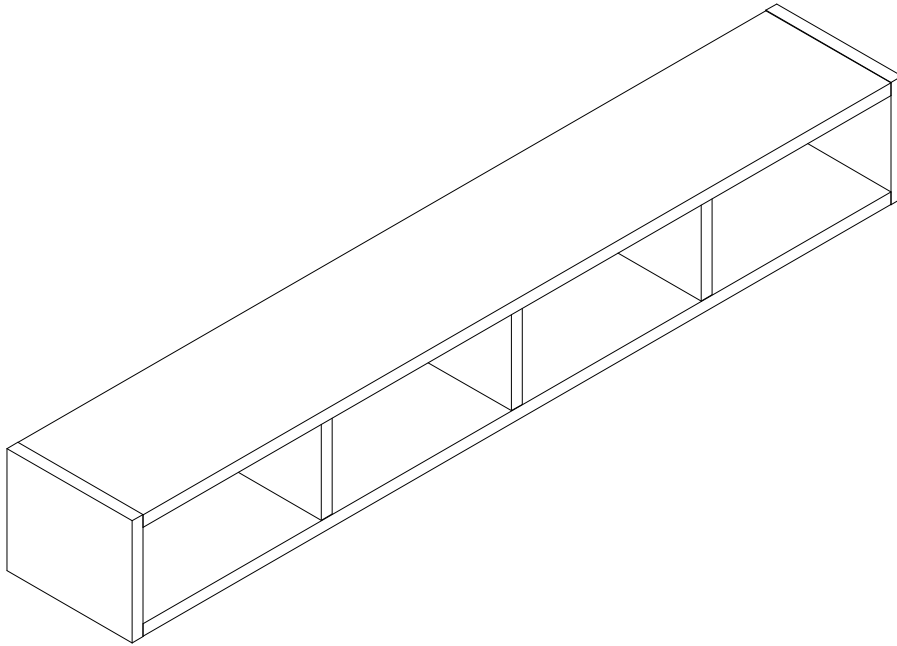


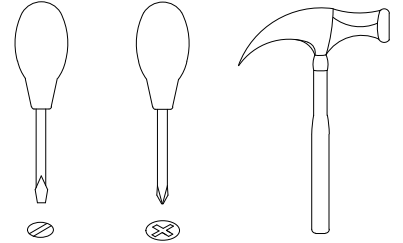
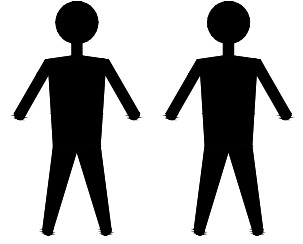


CP1709TV2 (F)

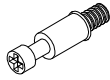


EAC

CP1709TV2 (F)



A x40
Spec: $\varnothing 8 \times 30$



B x6
Spec: $\varnothing 6 \times L28$



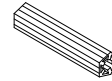
C x6
Spec: $\varnothing 12 \times H9$



D x4
Spec: $\varnothing 6 \times 30$



E x6
Spec:



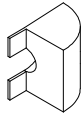
F x5
Spec:



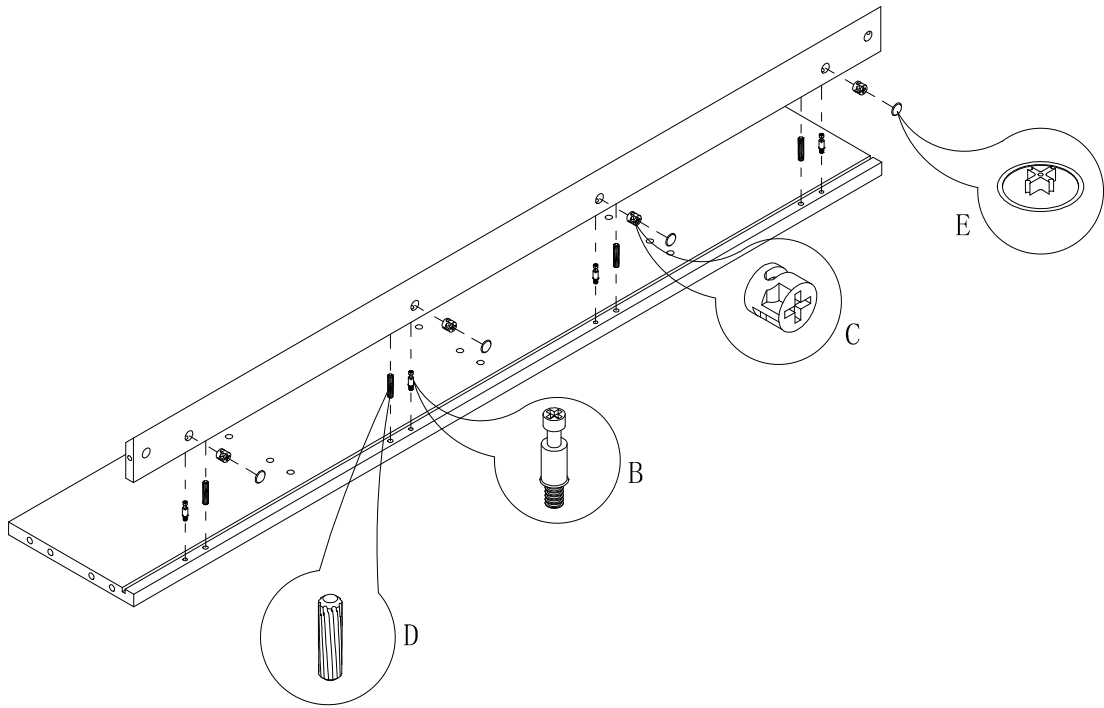
G x5
Spec: $\varnothing 3.8 \times L38$



H x5
Spec: $\varnothing 3.5 \times L16$

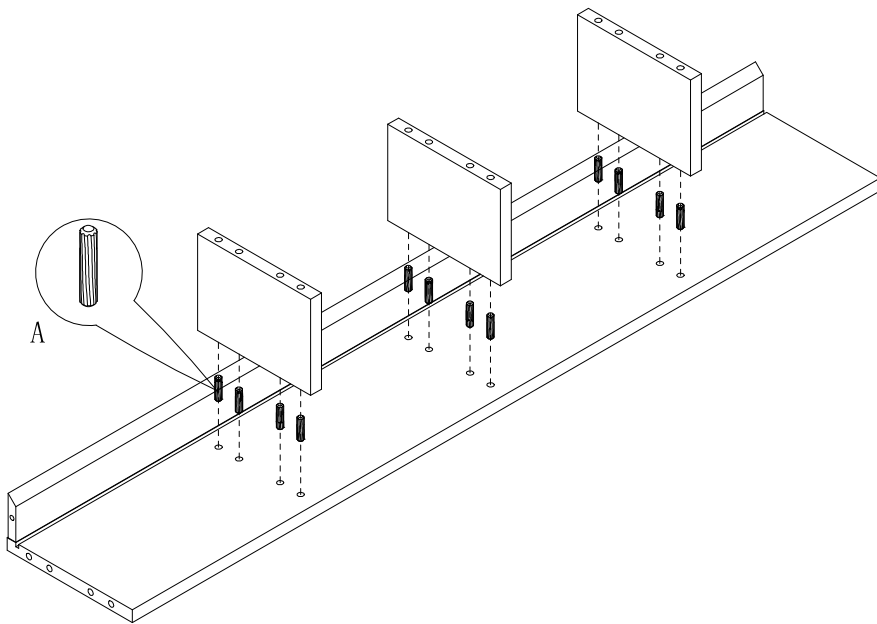


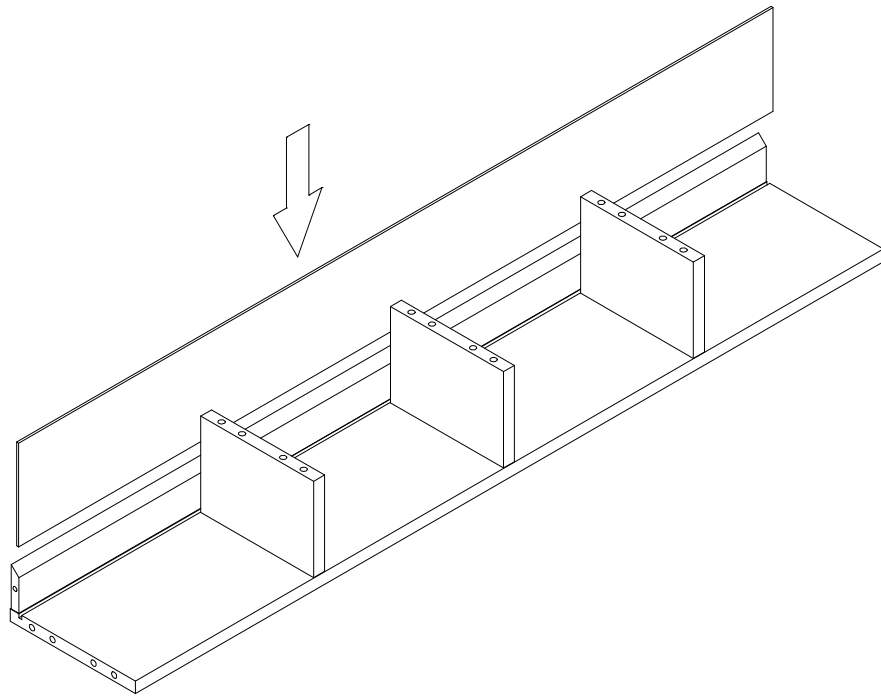
I x5
Spec: H13



1

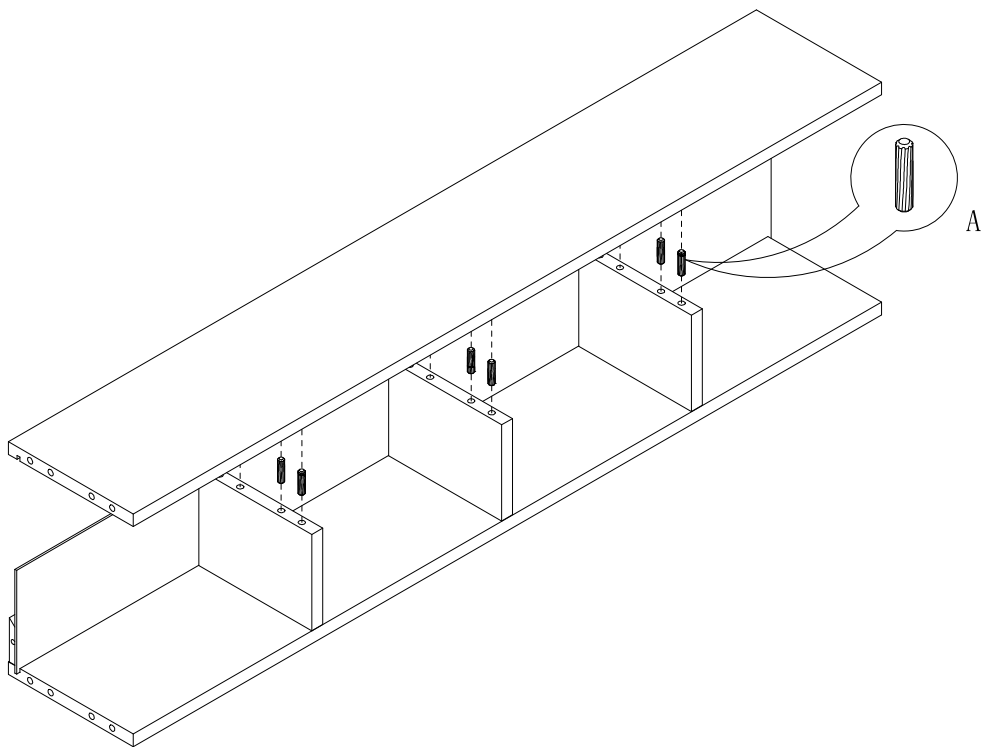
2

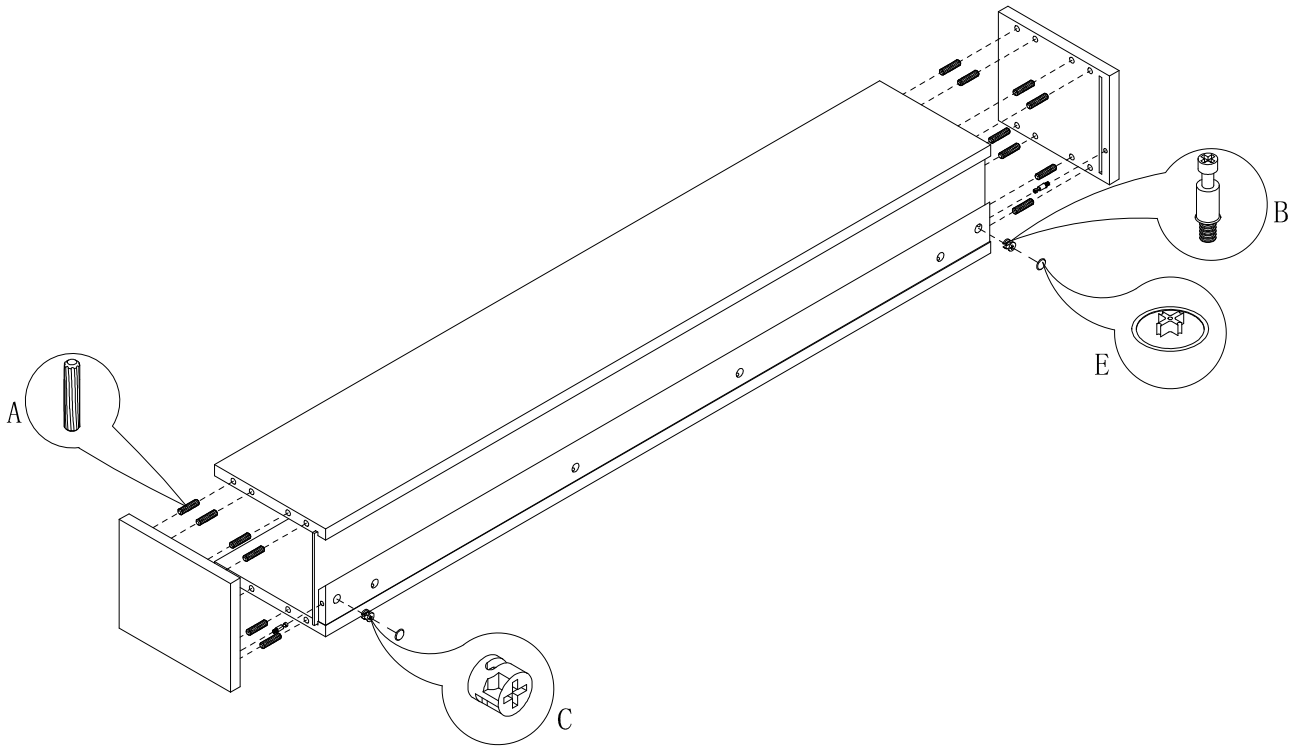




3

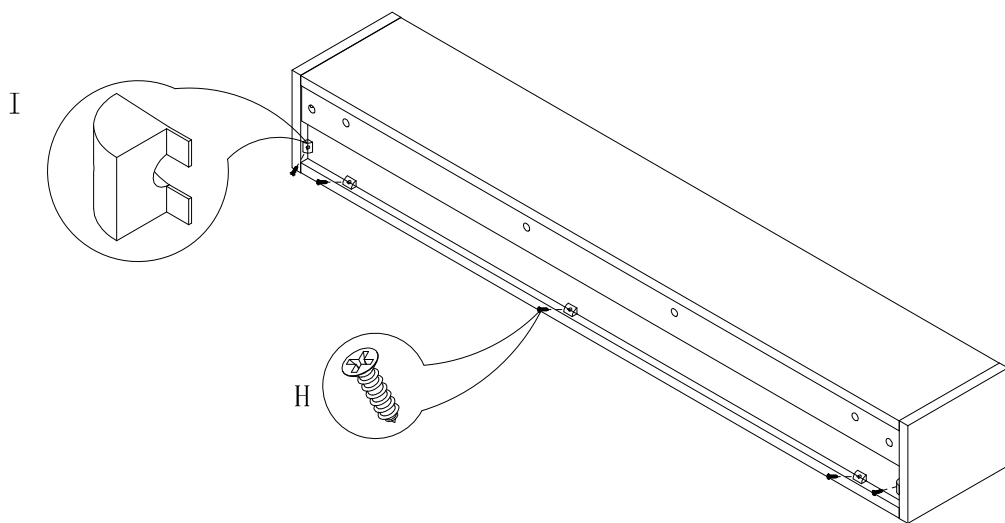
4

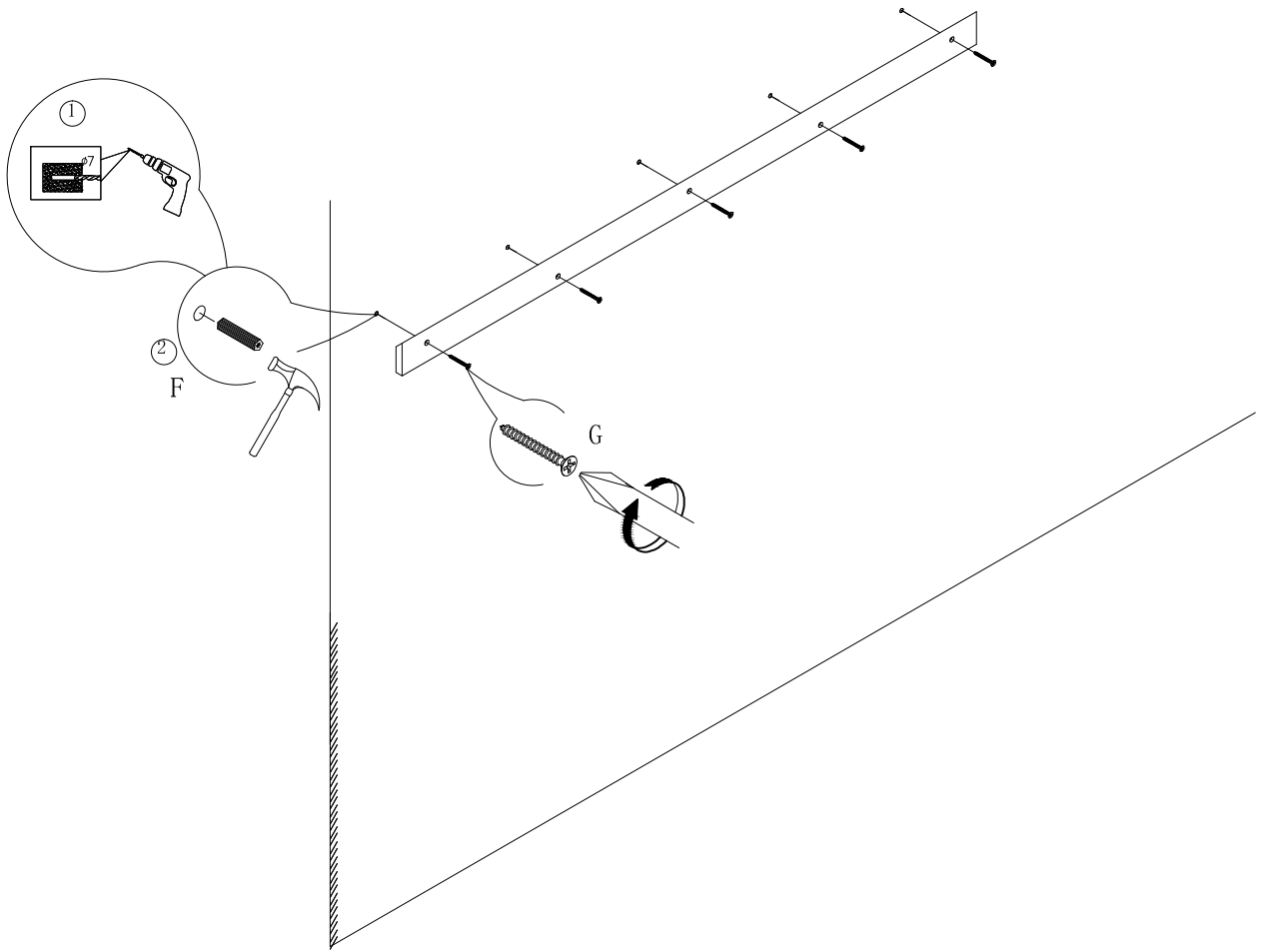




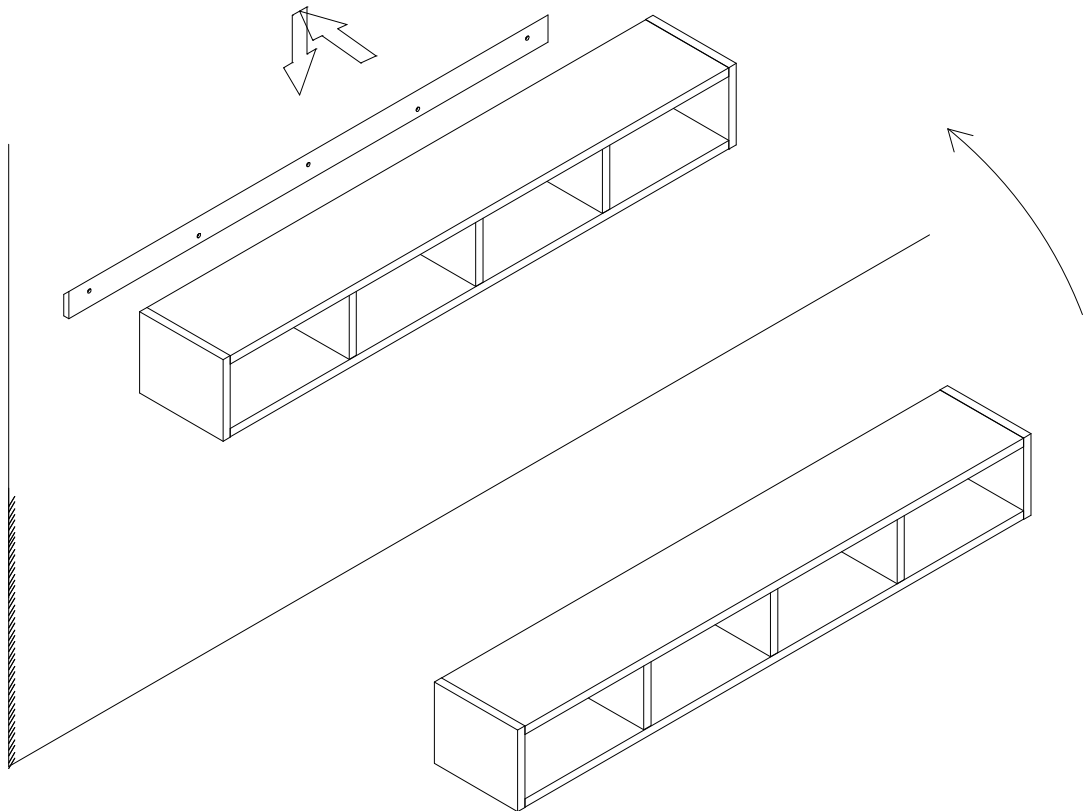
5

6

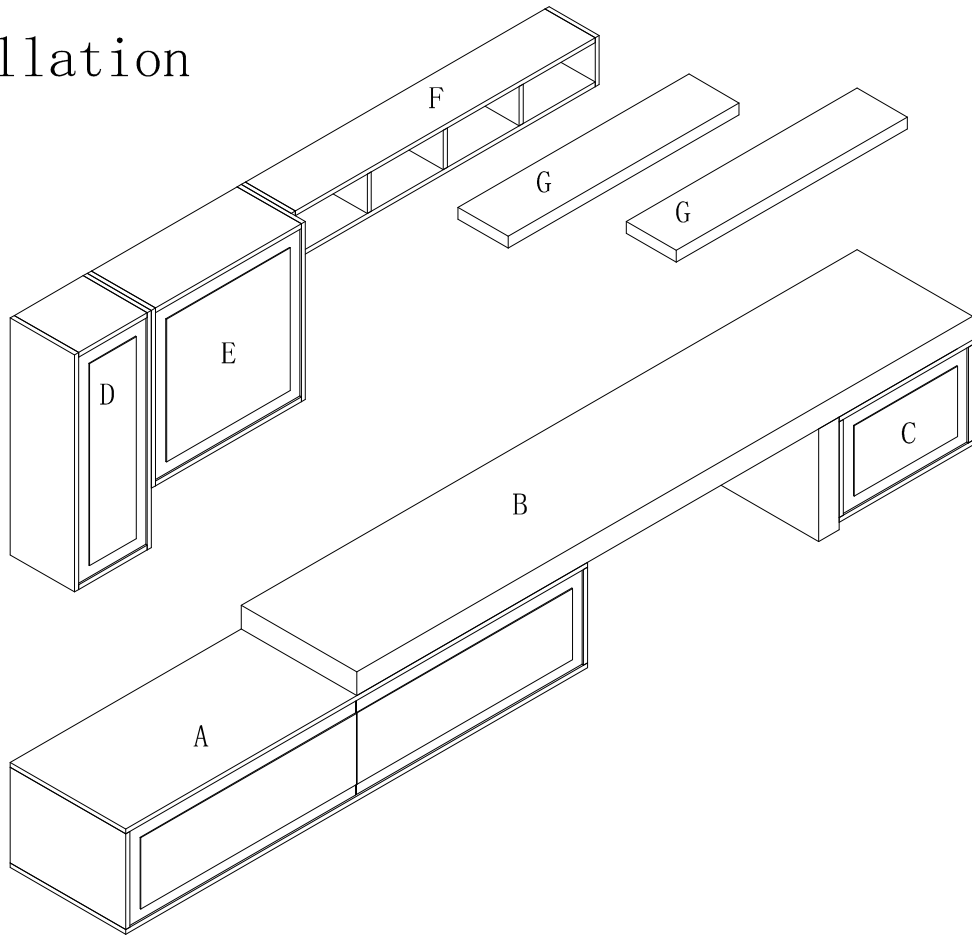




8



Installation



1

2

