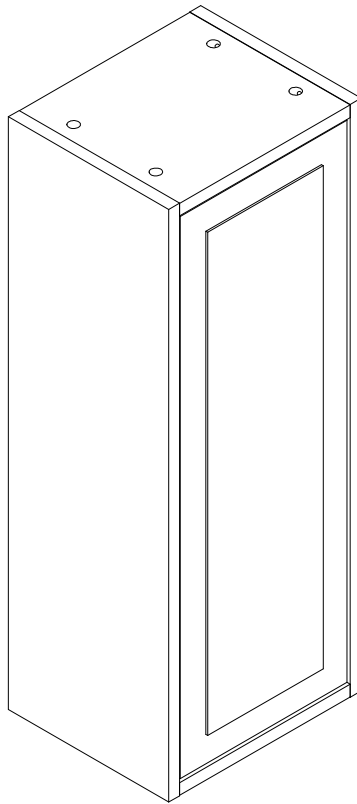


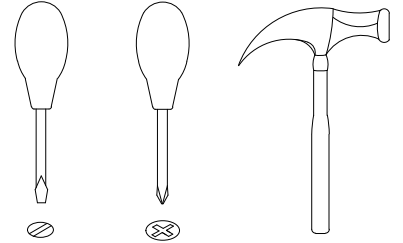
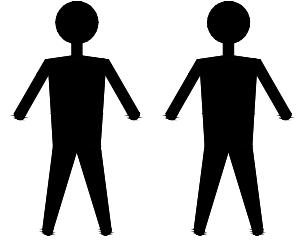


CP1709TV2 (D)

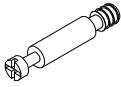


EAC

CP1709TV2 (D)



A x16
Spec: $\phi 8 \times 30$



B x8
Spec: $\phi 7 \times L30$



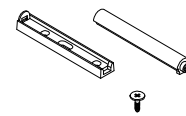
C x8
Spec: $\phi 15 \times H12$



D x6
Spec: $\phi 6 \times L28$



E x6
Spec: $\phi 12 \times H9$



F x1
Spec:



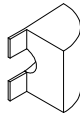
G x2
Spec: $\phi 3.5 \times L11$



H x3
Spec: $\phi 3.8 \times L38$



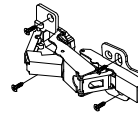
I x5
Spec: $\phi 3.5 \times L16$



J x5
Spec: H13



K x2
Spec: $\phi 6 \times 30$



L x2
Spec: 089#



M x4
Spec: $3.8 \times L16$



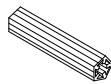
N x14
Spec:



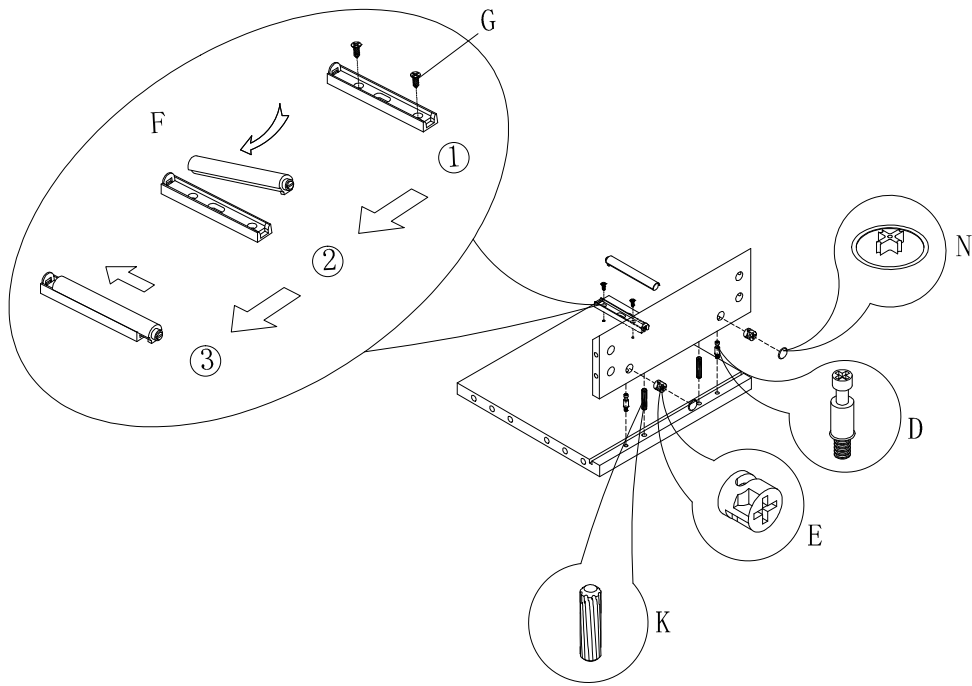
O x8
Spec: $\phi 5 \times L19$



P x8
Spec: $\phi 20 \times H12$

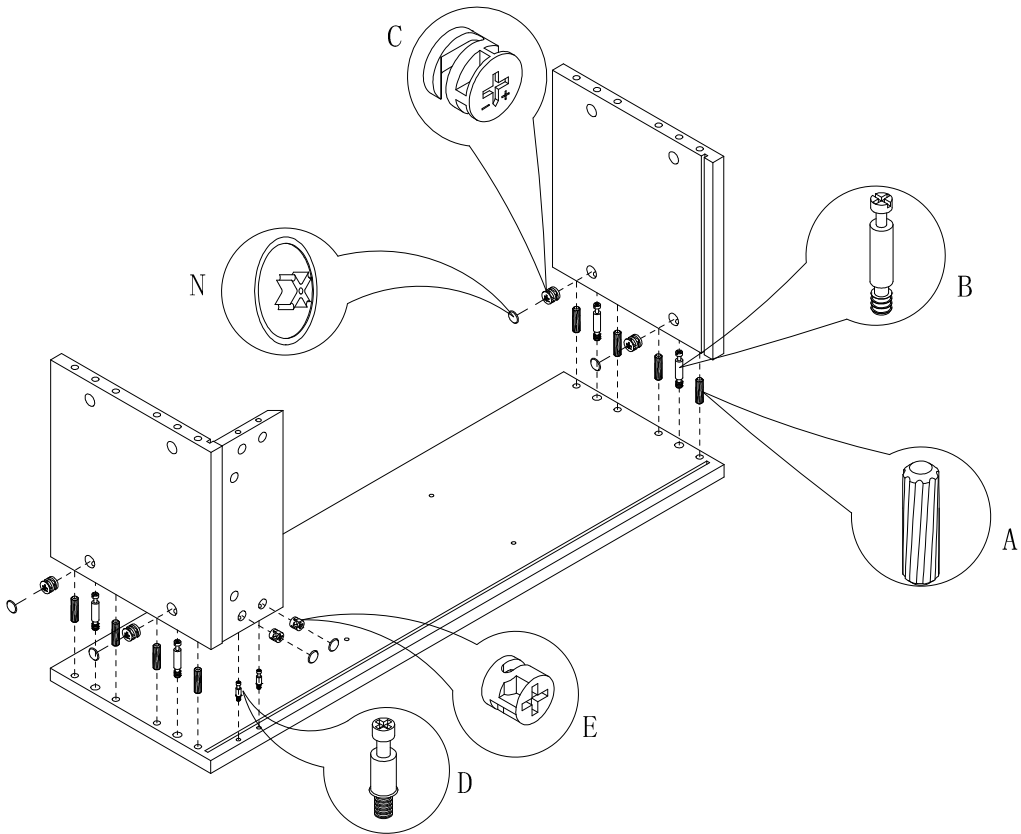


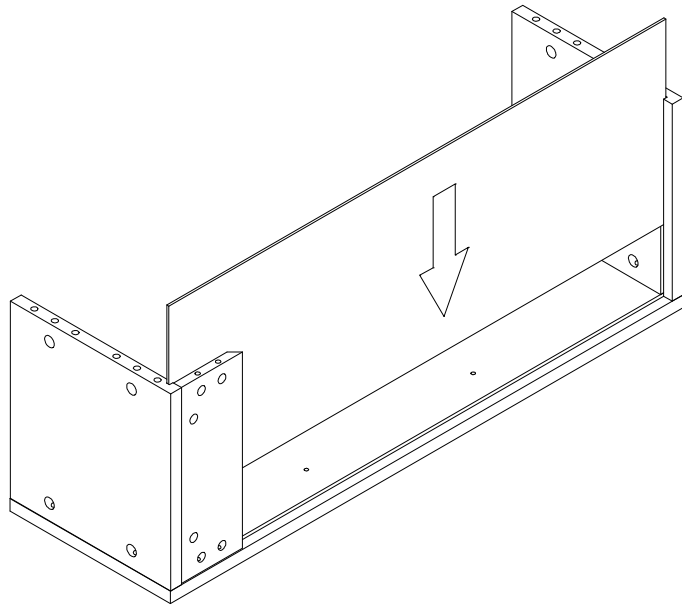
Q x3
Spec:



1

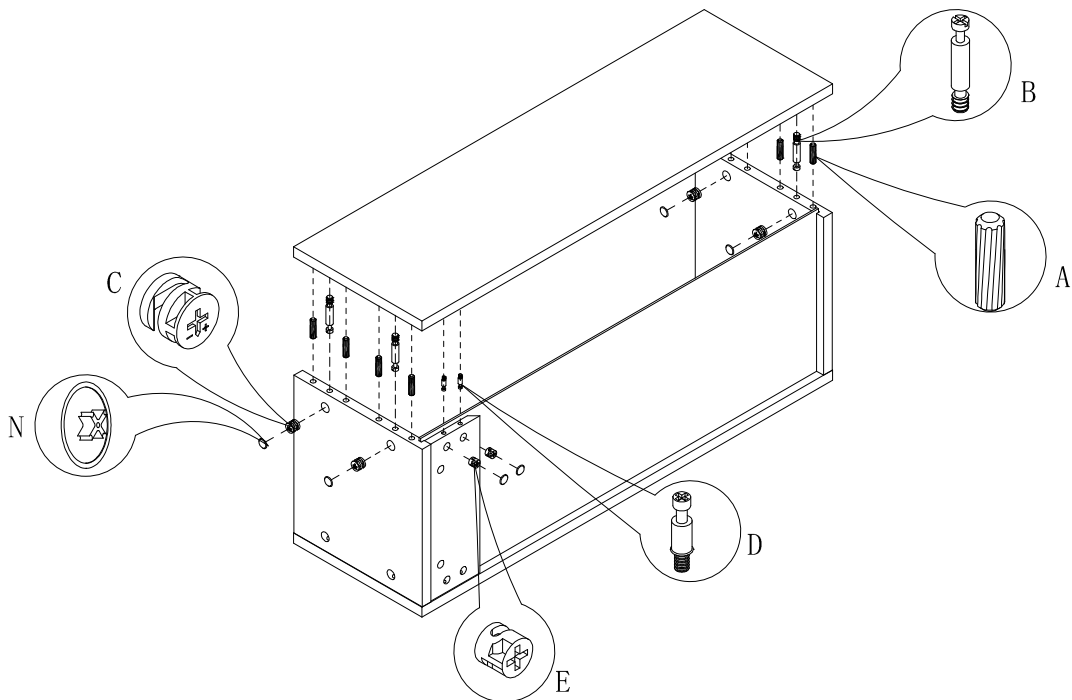
2

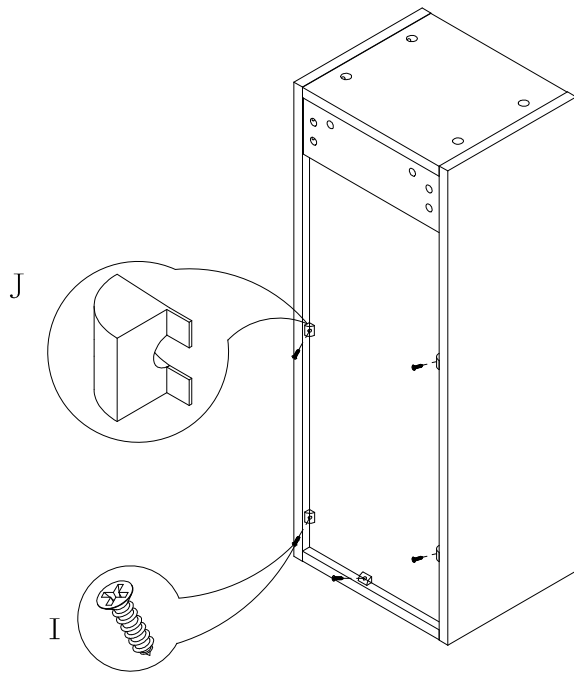




3

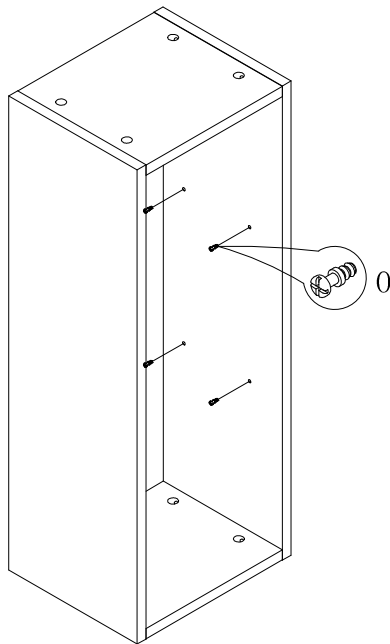
4

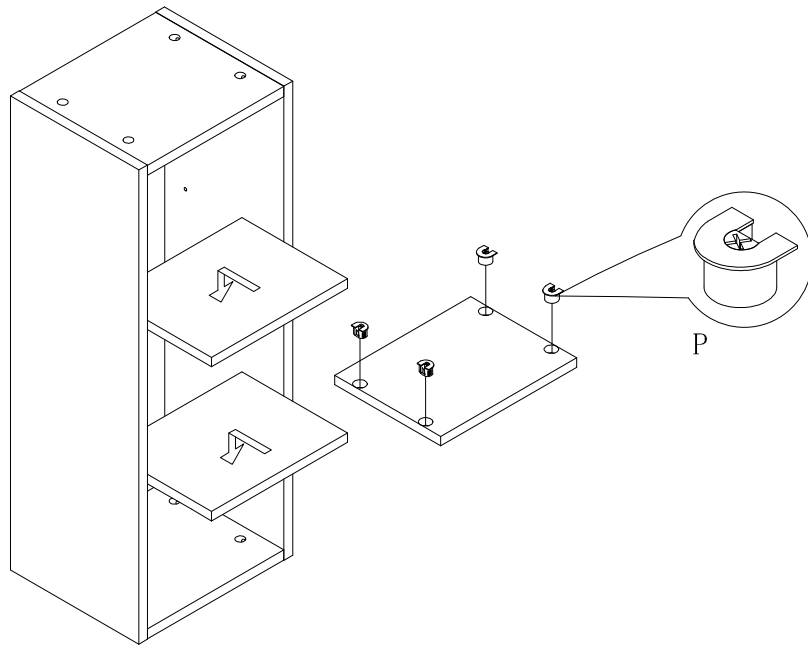




5

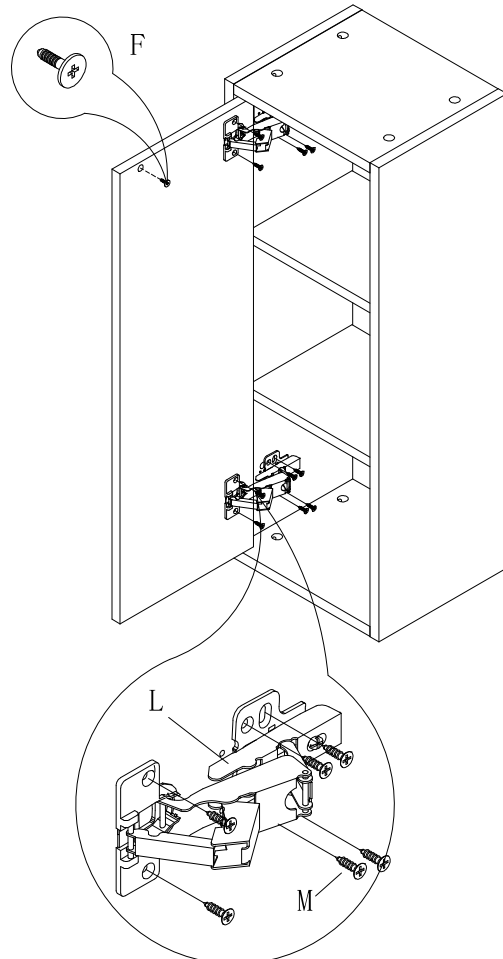
6

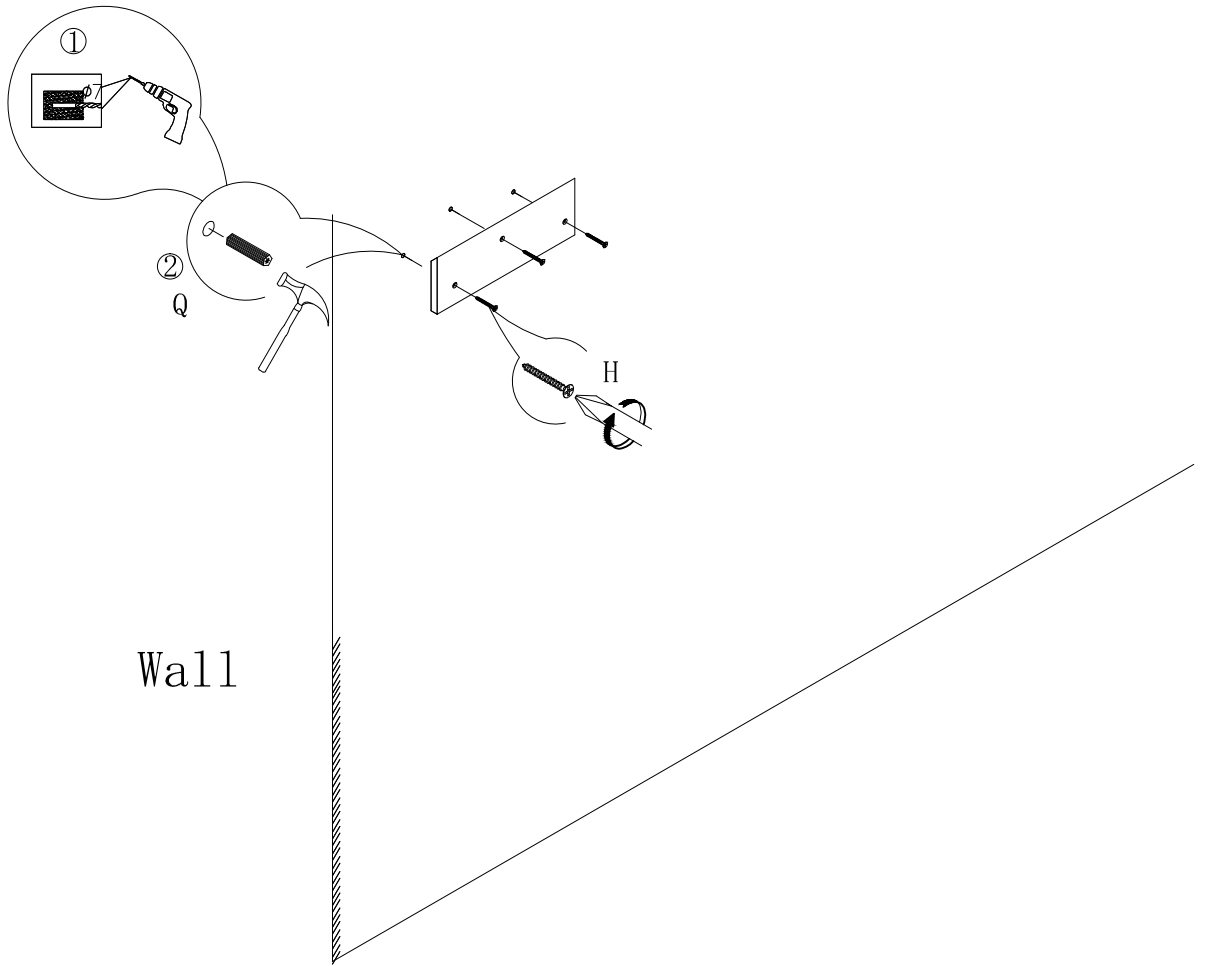




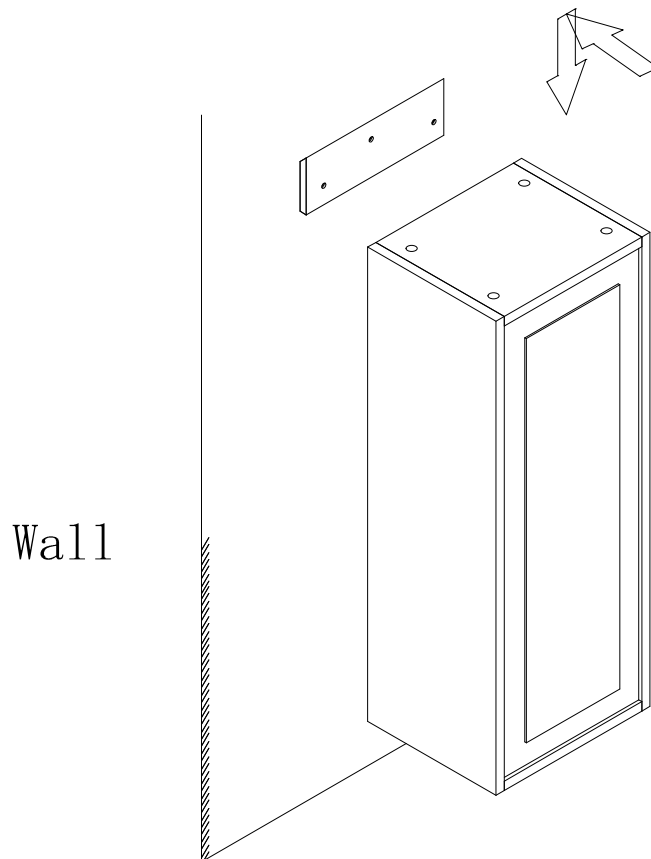
7

8

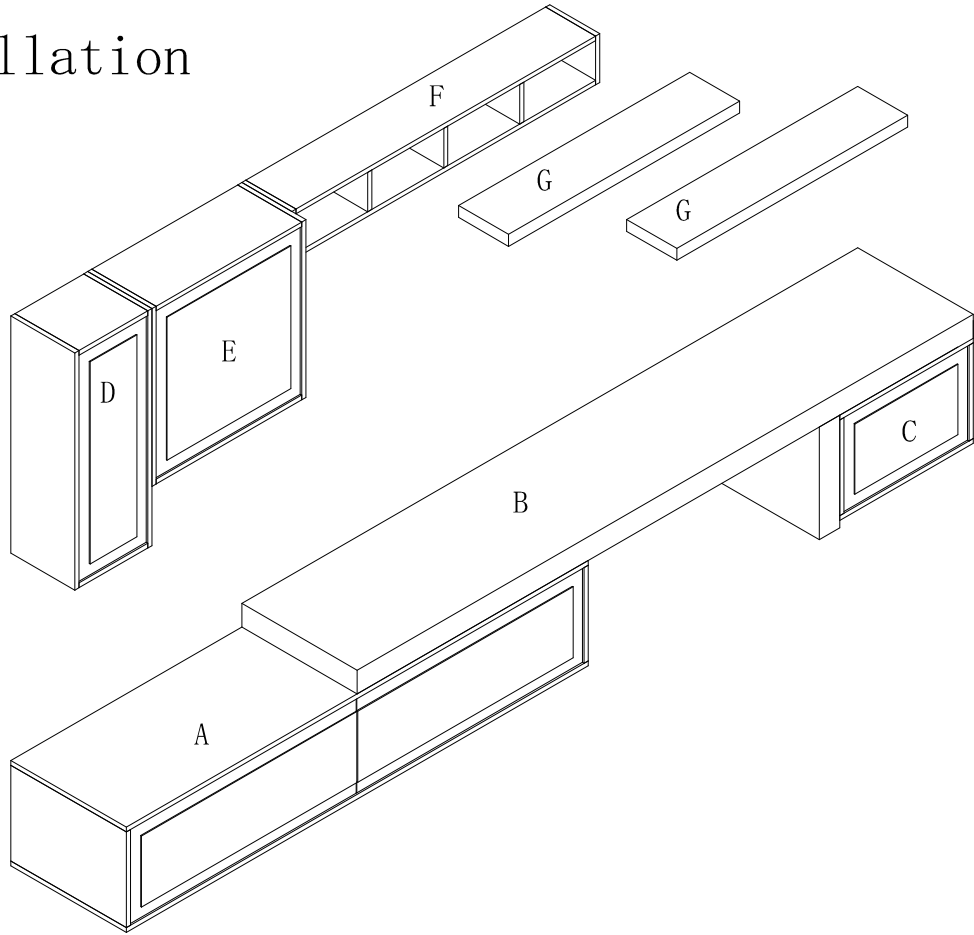




10

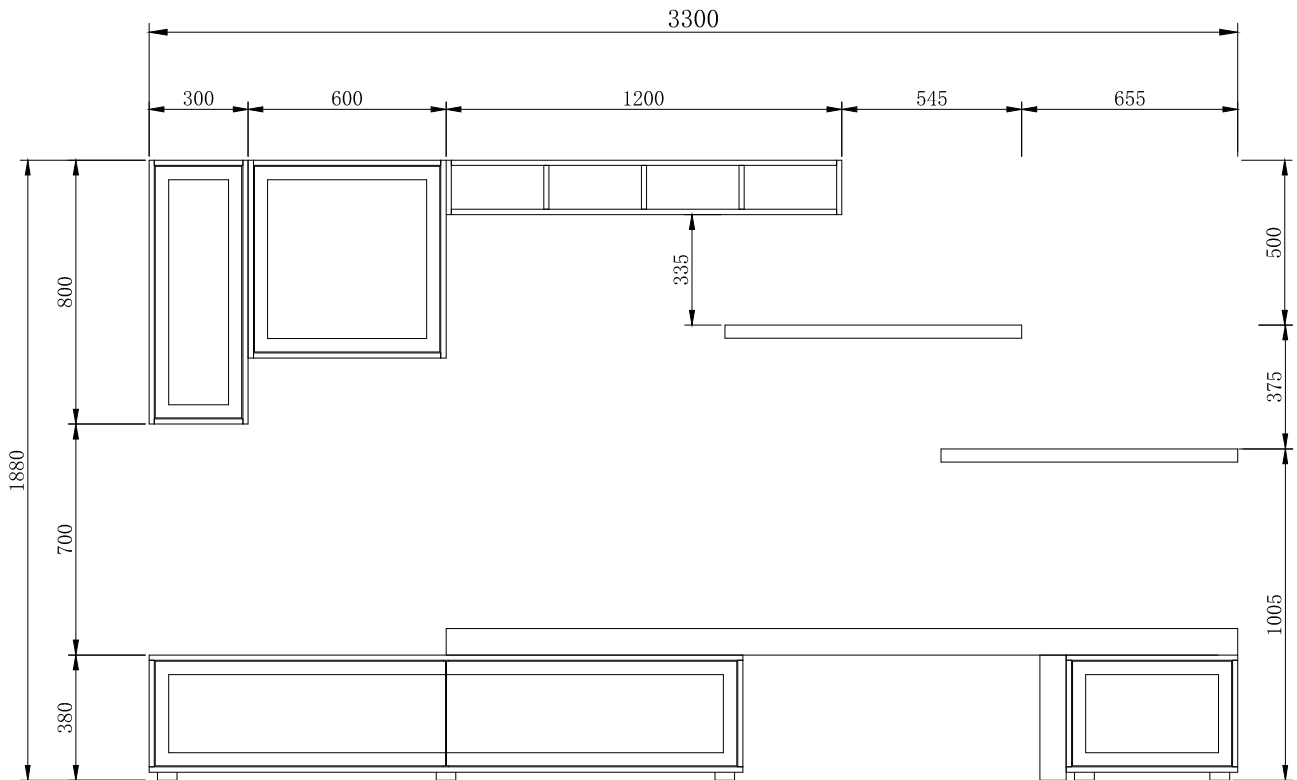


Installation



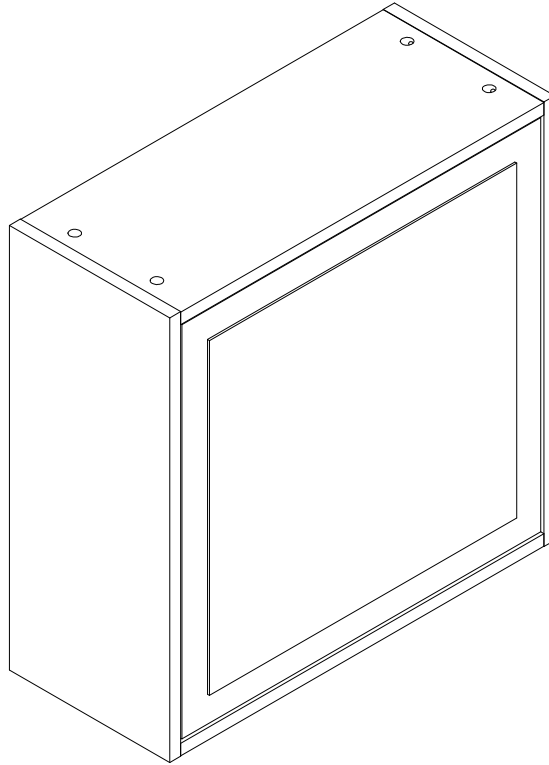
1

2



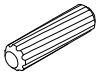
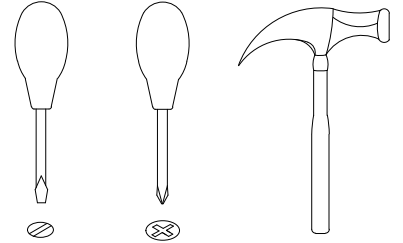
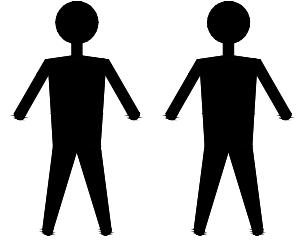
MOD
interiors

CP1709TV2(E)

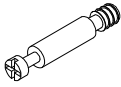


EAC

CP1709TV2 (E)



A x16
Spec: $\phi 8 \times 30$



B x8
Spec: $\phi 7 \times L30$



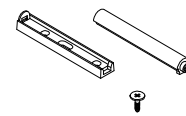
C x8
Spec: $\phi 15 \times H12$



D x7
Spec: $\phi 6 \times L28$



E x7
Spec: $\phi 12 \times H9$



F x1
Spec:



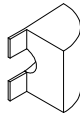
G x2
Spec: $\phi 3.5 \times L11$



H x5
Spec: $\phi 3.8 \times L38$



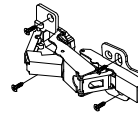
I x6
Spec: $\phi 3.5 \times L16$



J x6
Spec: H13



K x2
Spec: $\phi 6 \times 30$



L x3
Spec: 089#



M x6
Spec: $3.8 \times L16$



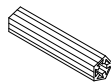
N x15
Spec:



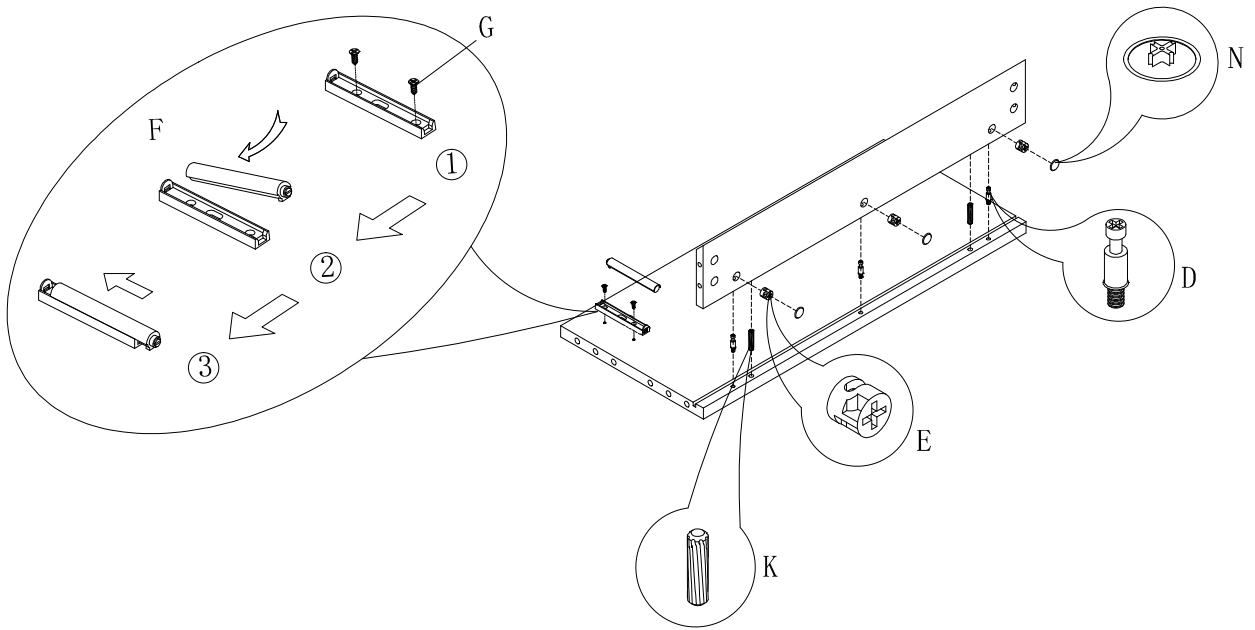
O x4
Spec: $\phi 5 \times L19$



P x4
Spec: $\phi 20 \times H12$

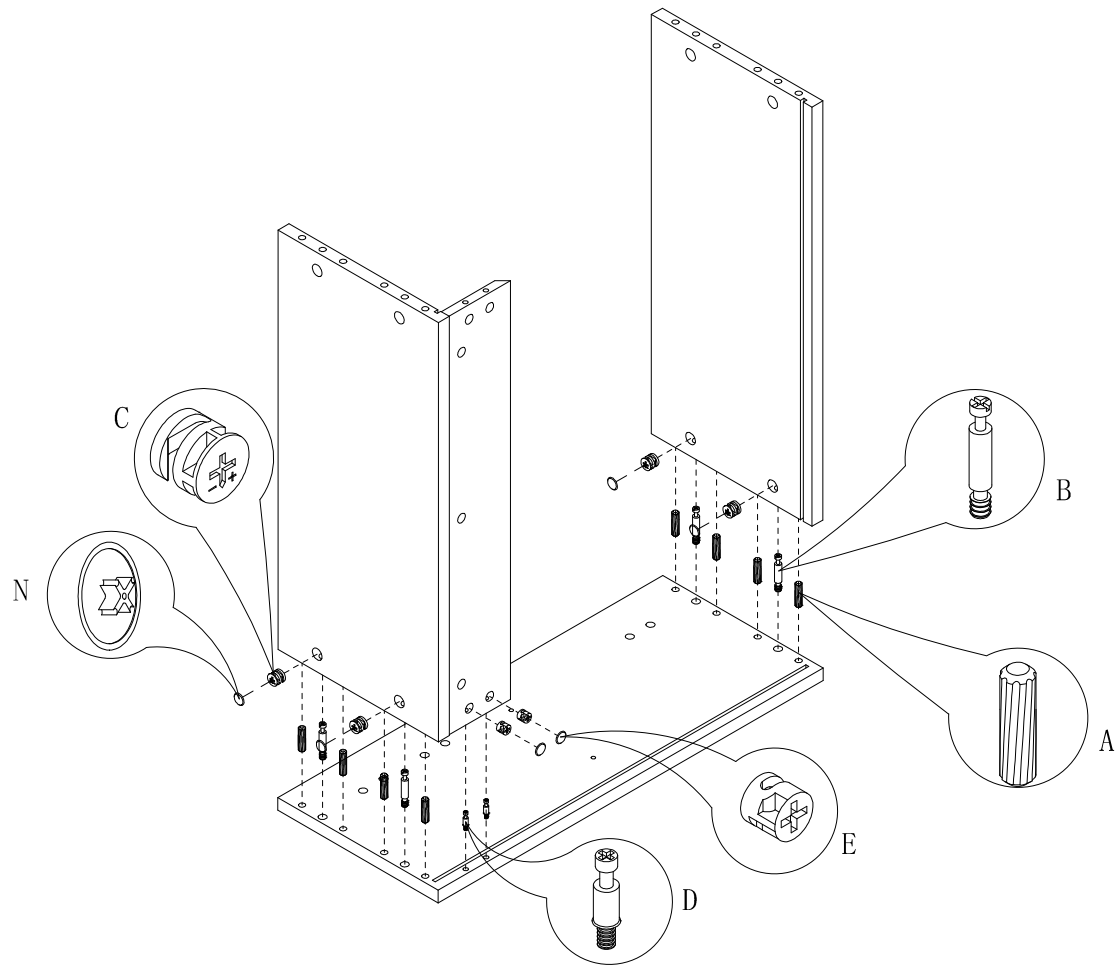


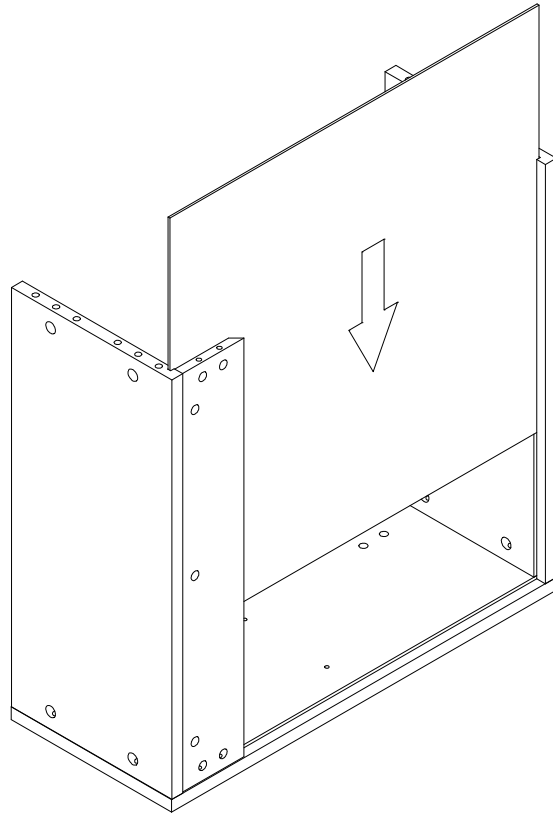
Q x5
Spec:



1

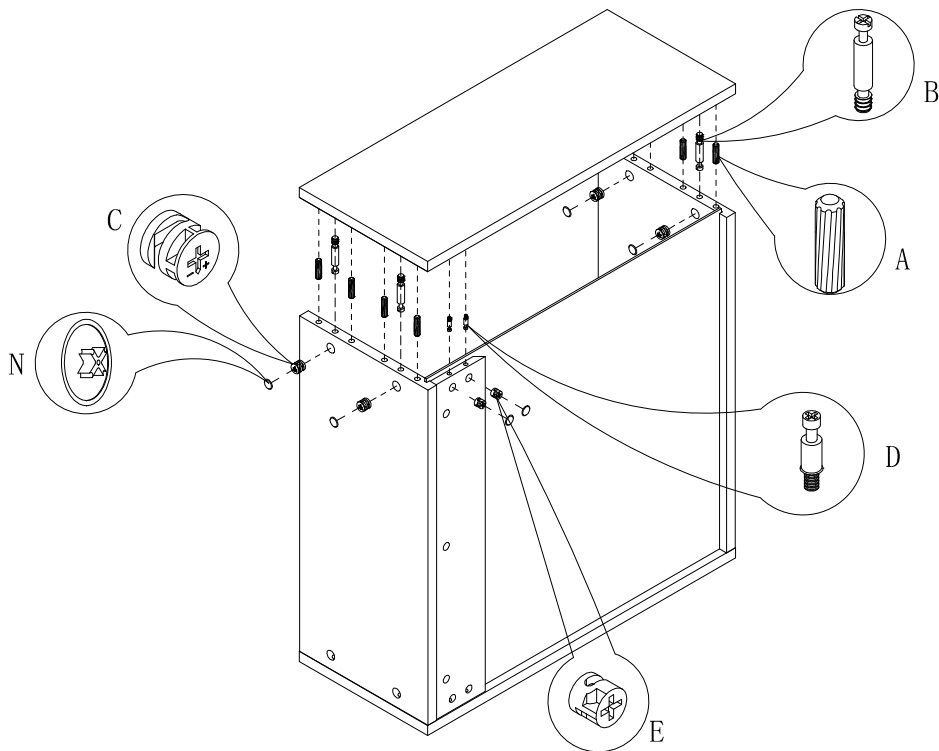
2

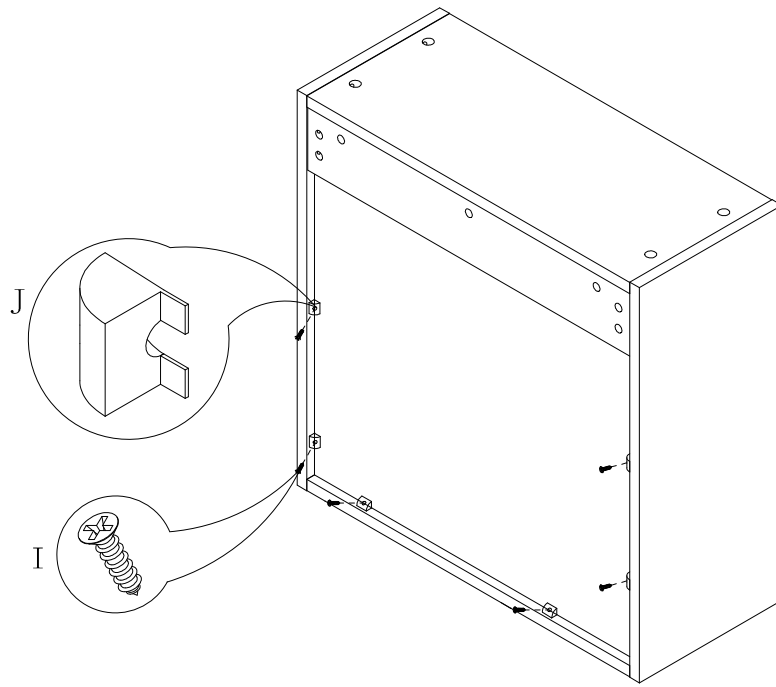




3

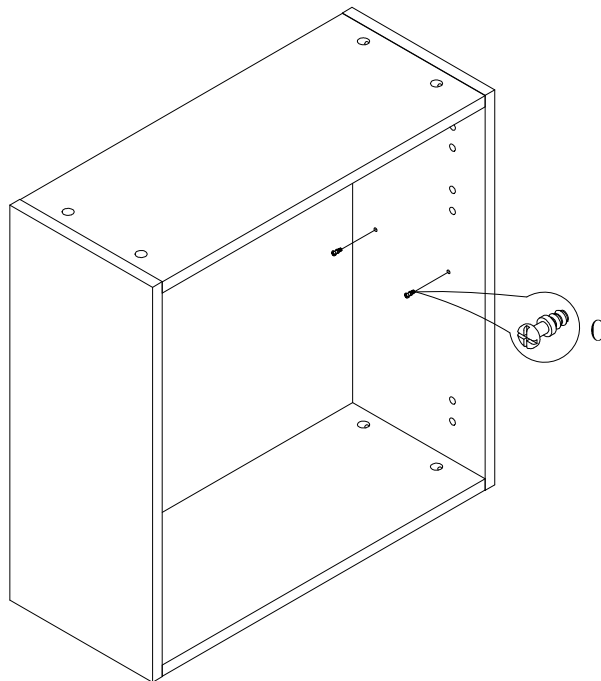
4

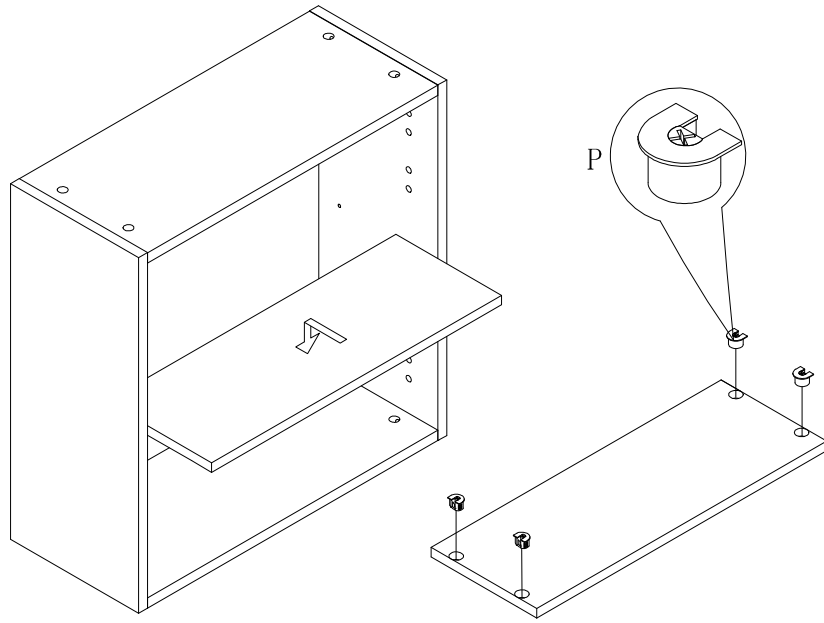




5

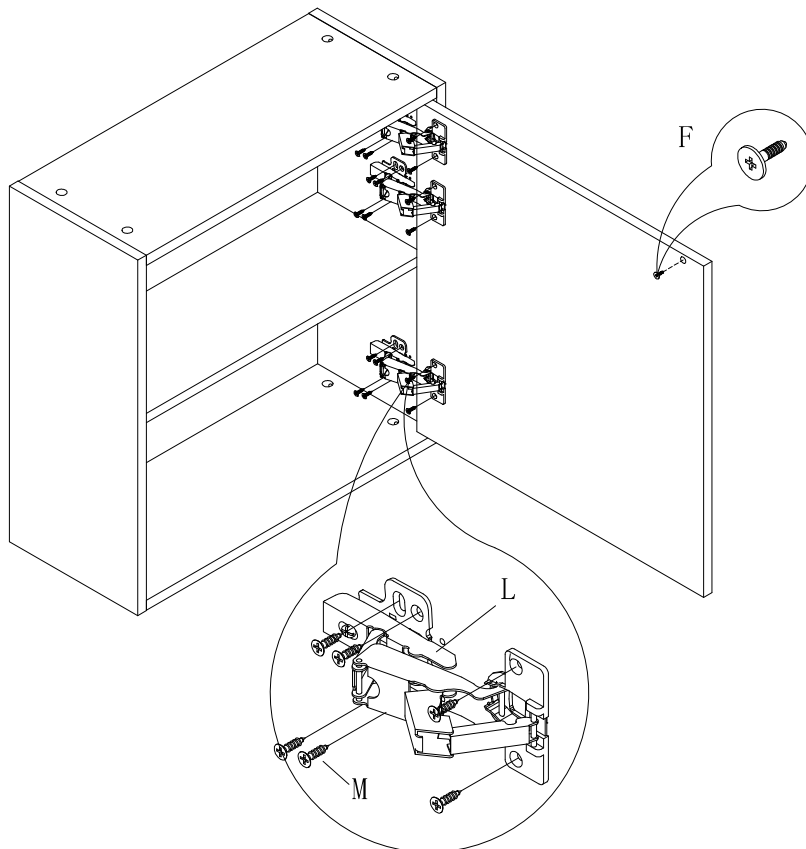
6

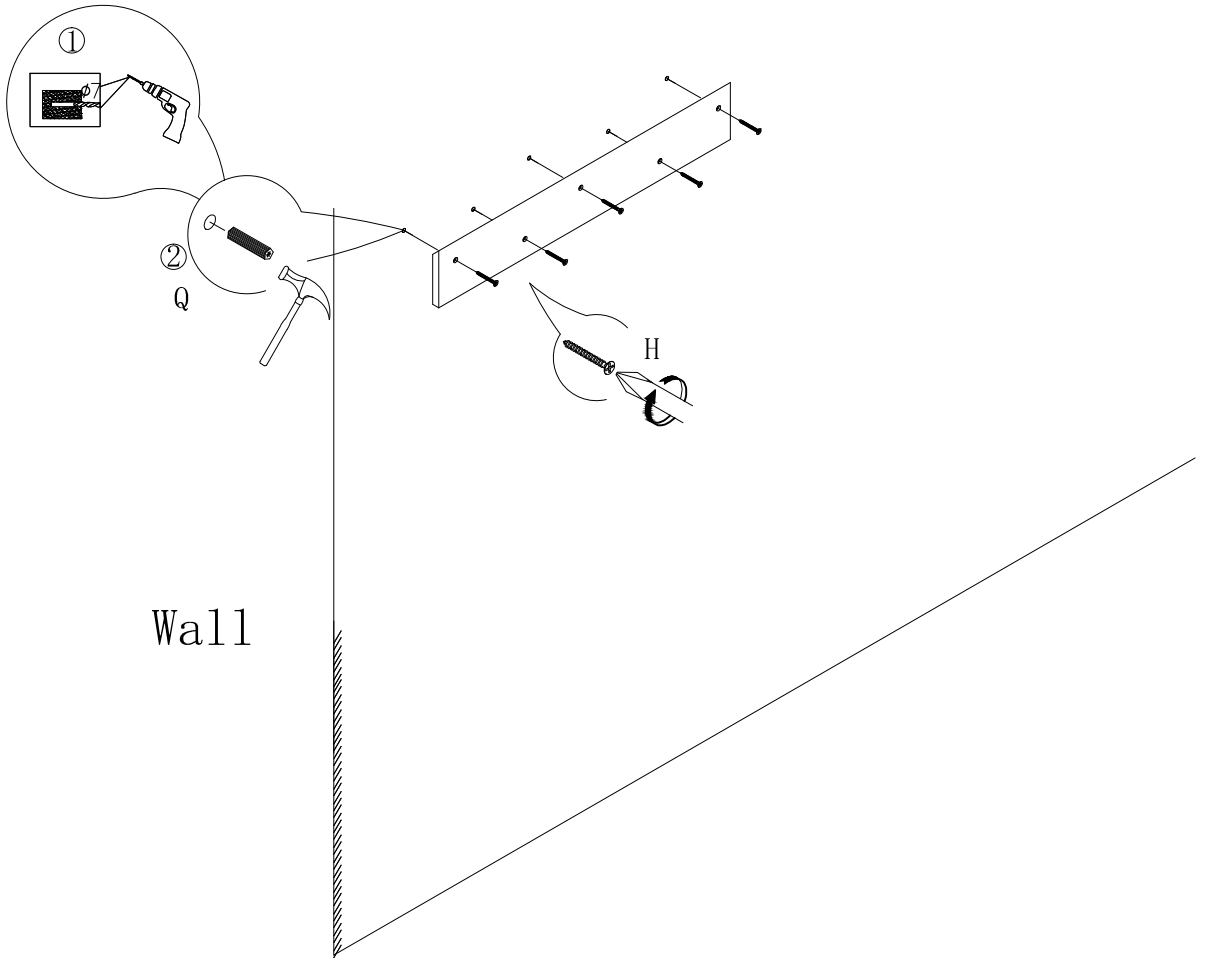




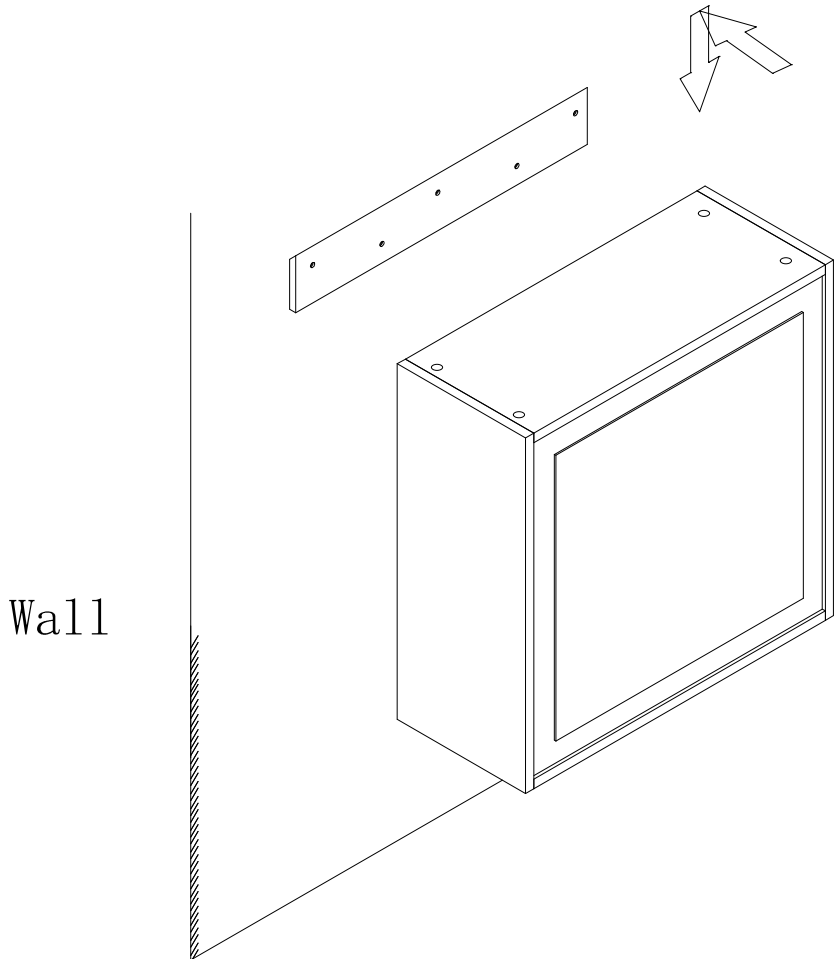
7

8

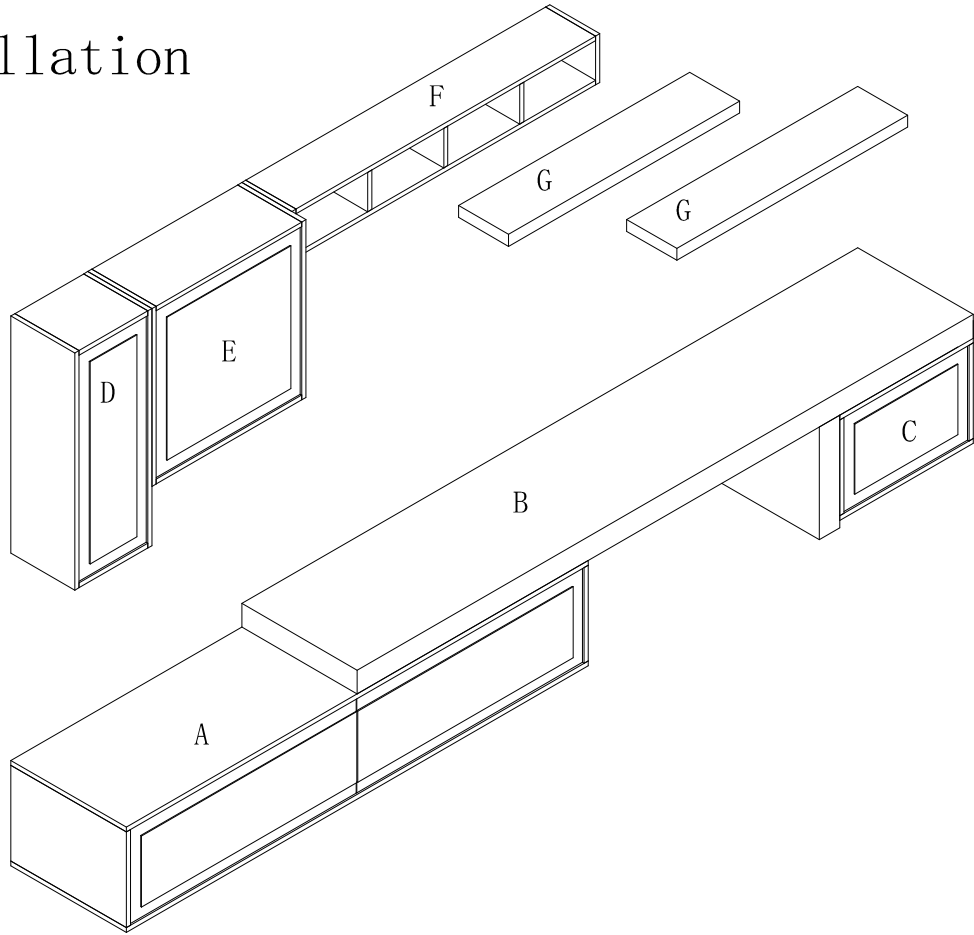




10

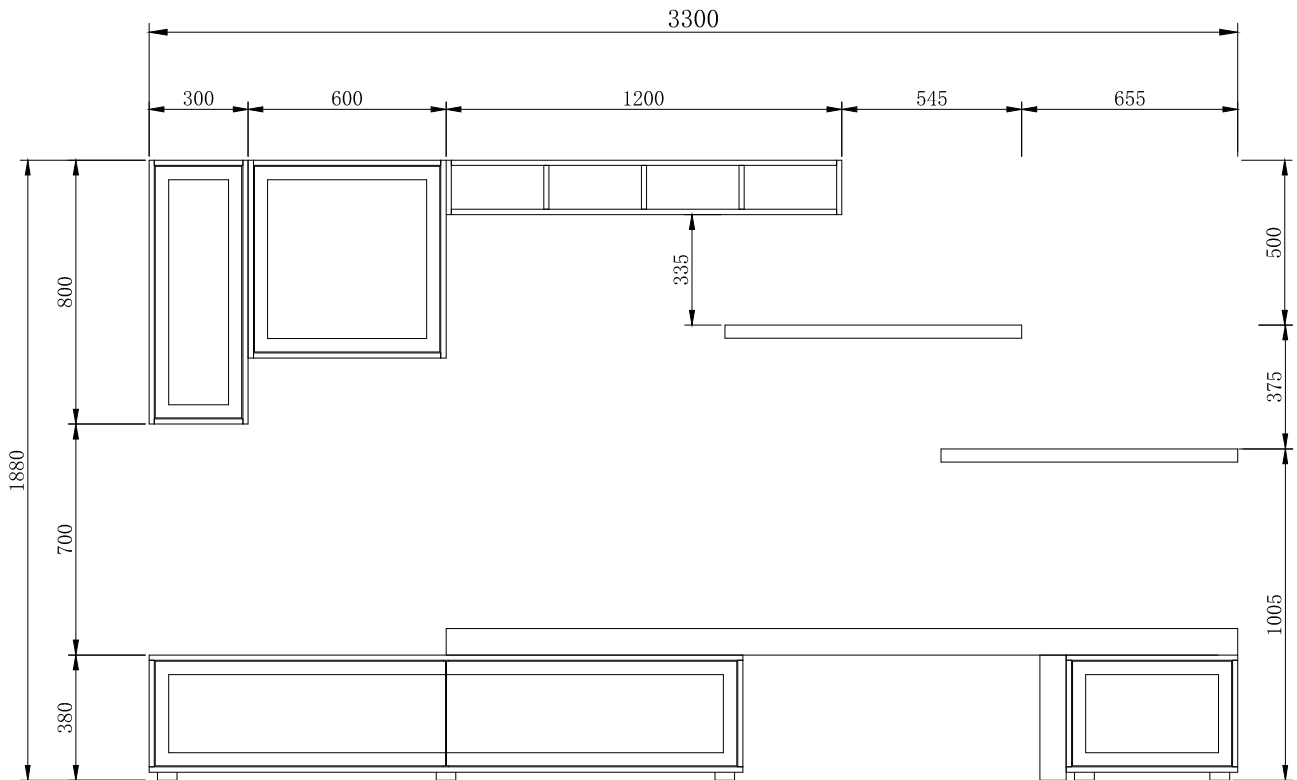


Installation



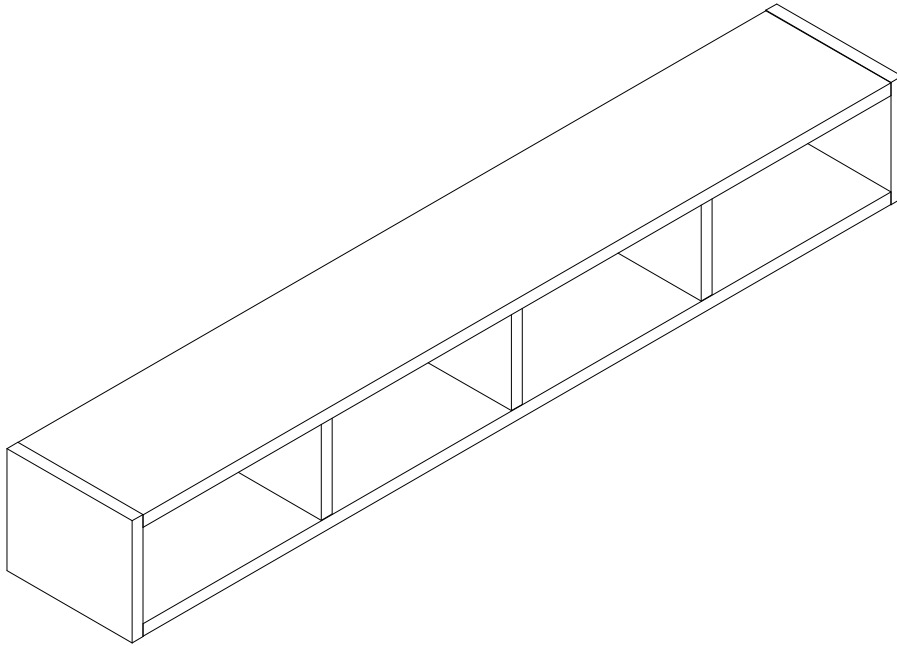
1

2



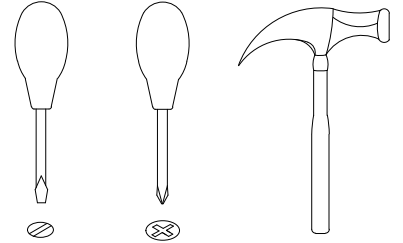
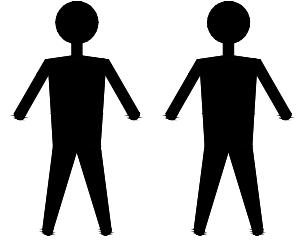


CP1709TV2 (F)

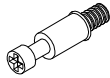


EAC

CP1709TV2 (F)



A x40
Spec: $\varnothing 8 \times 30$



B x6
Spec: $\varnothing 6 \times L28$



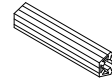
C x6
Spec: $\varnothing 12 \times H9$



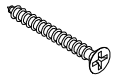
D x4
Spec: $\varnothing 6 \times 30$



E x6
Spec:



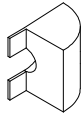
F x5
Spec:



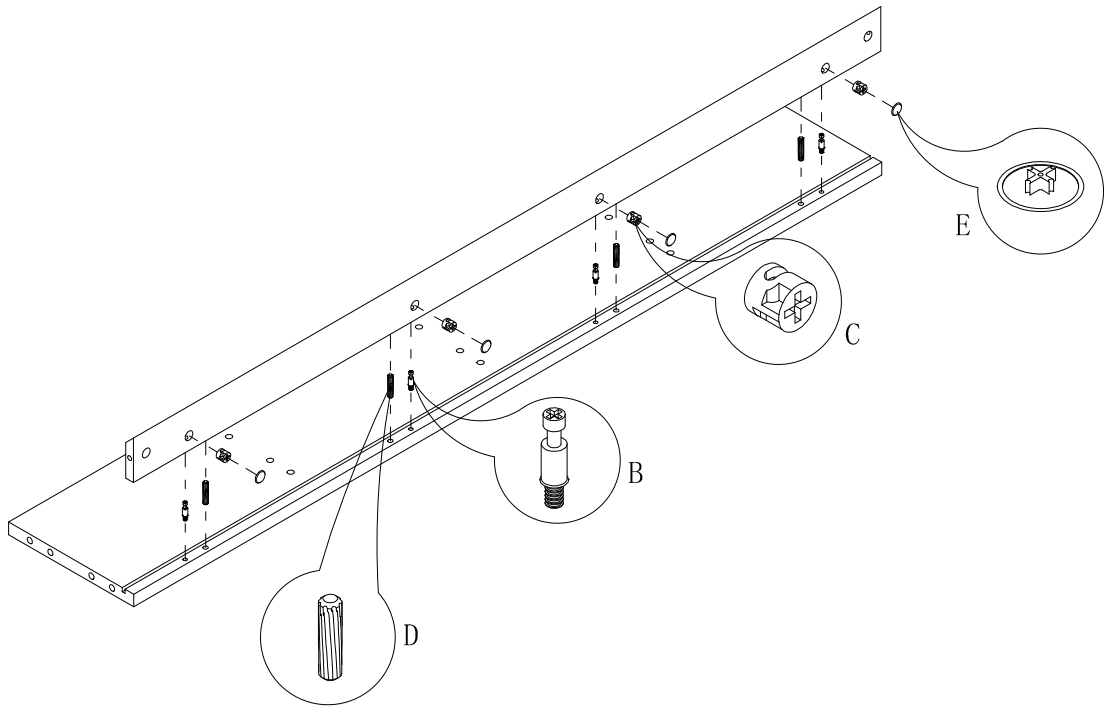
G x5
Spec: $\varnothing 3.8 \times L38$



H x5
Spec: $\varnothing 3.5 \times L16$

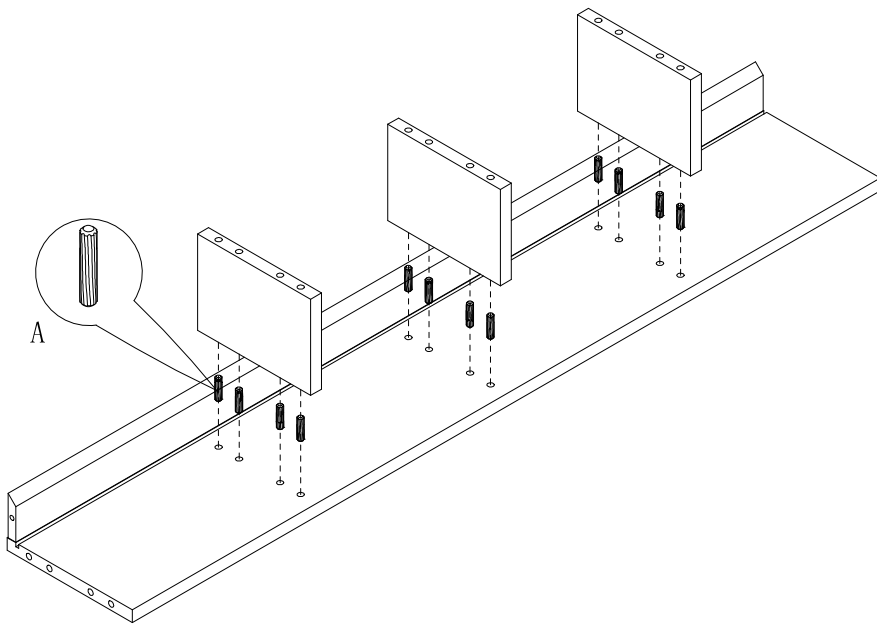


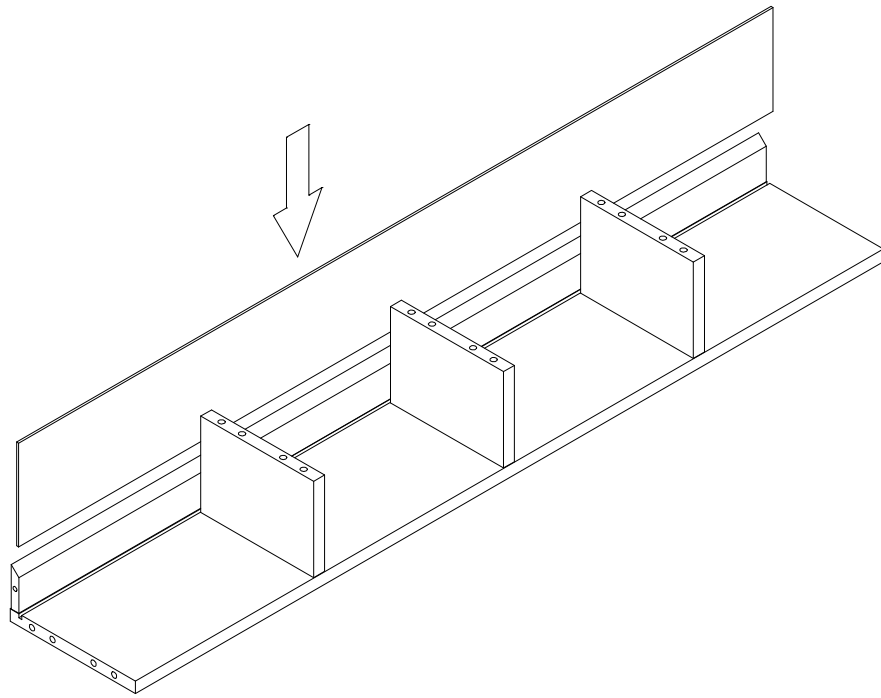
I x5
Spec: H13



1

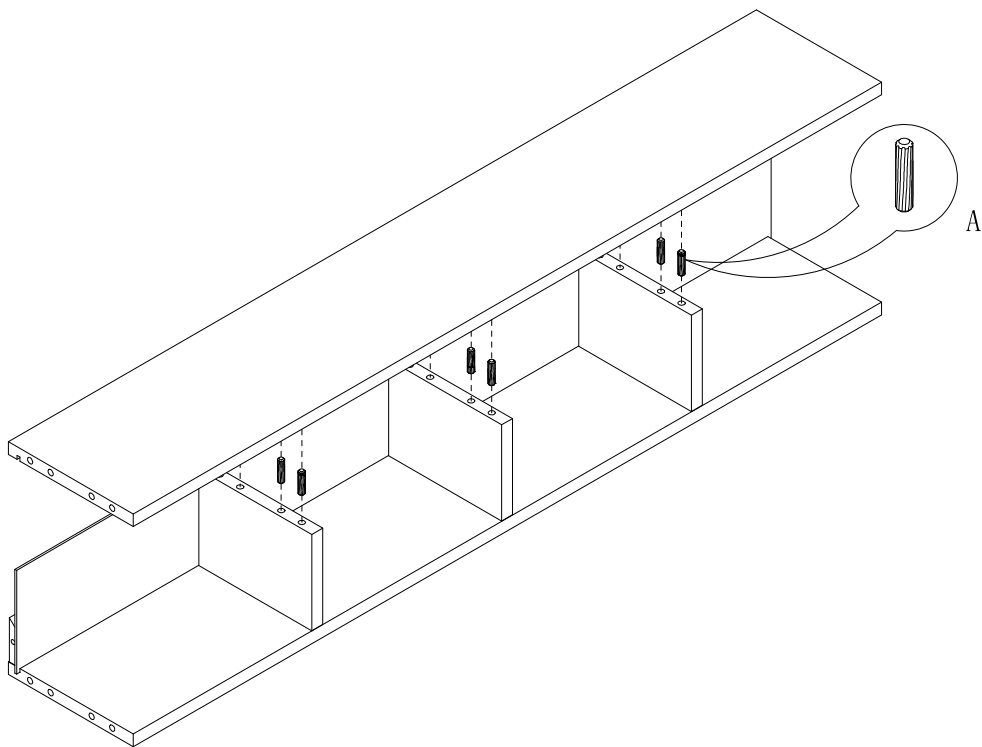
2

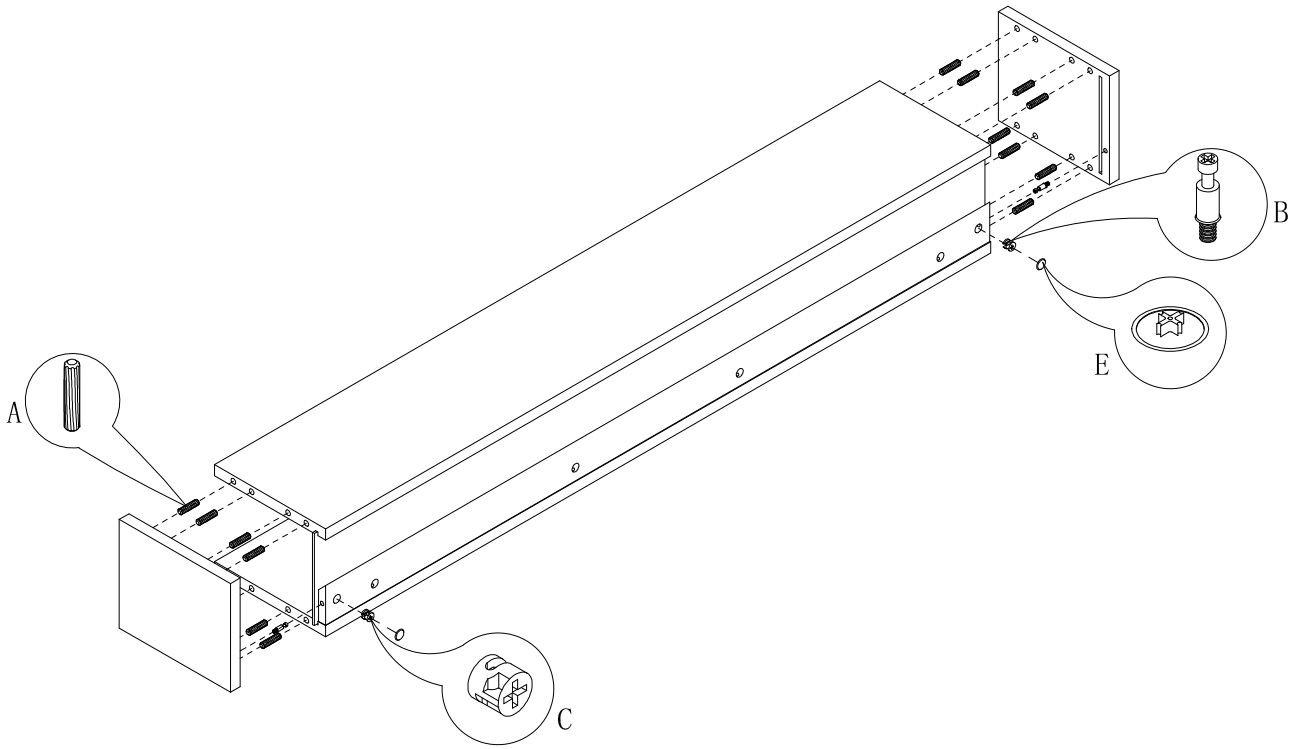




3

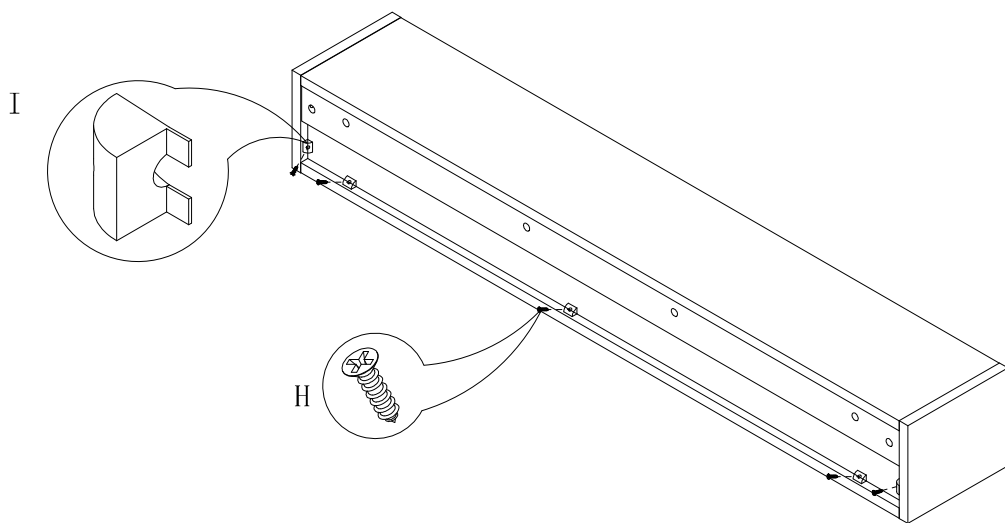
4

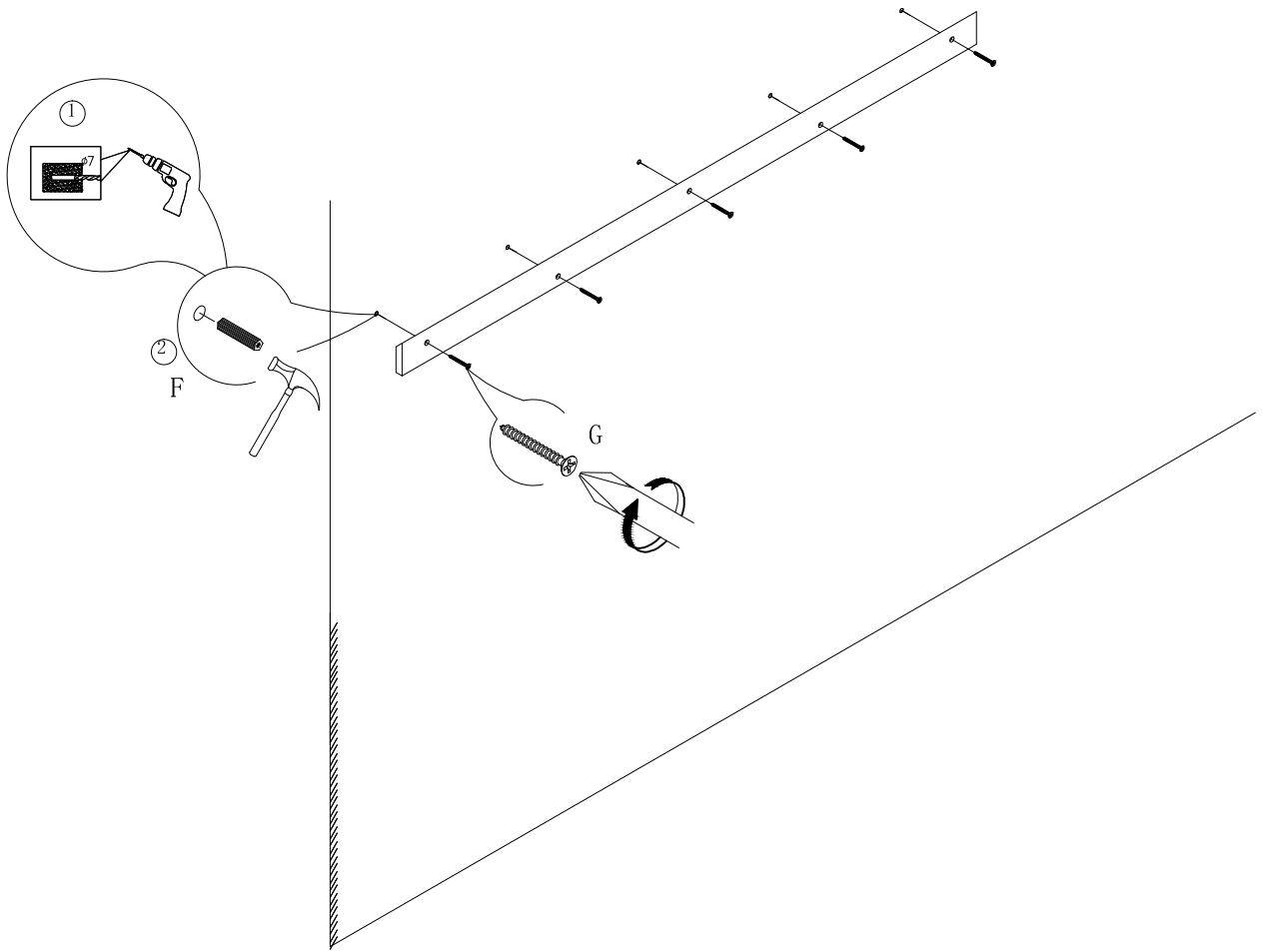




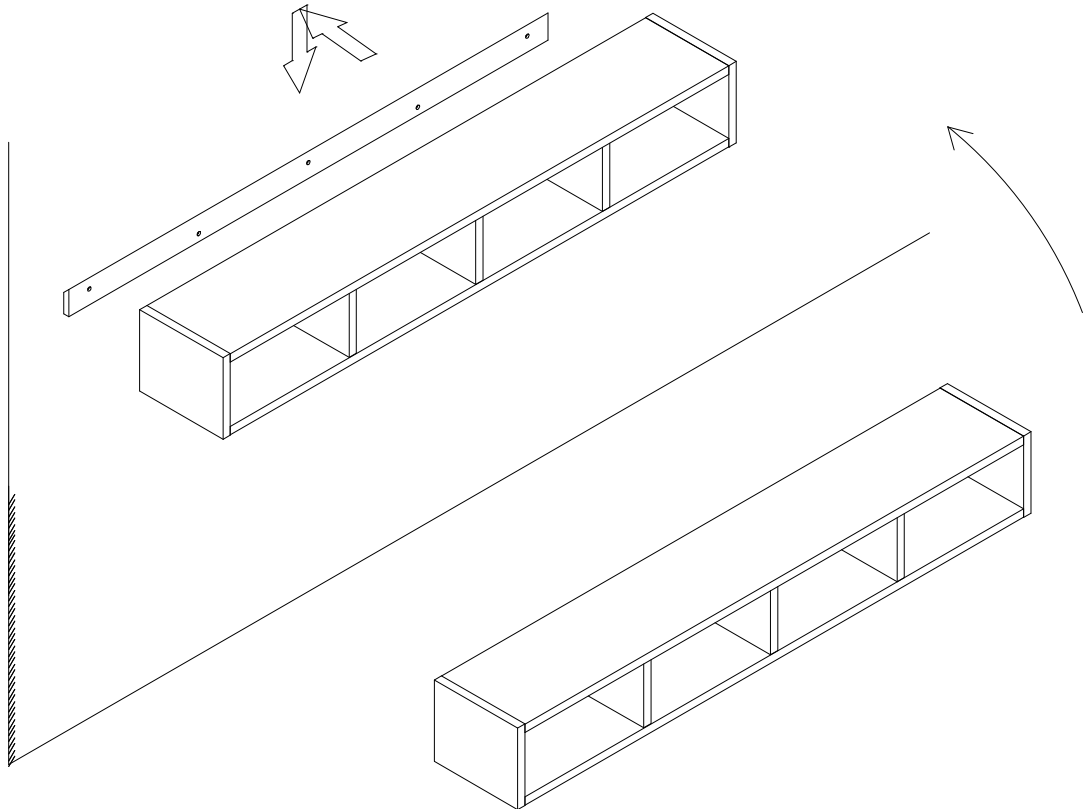
5

6

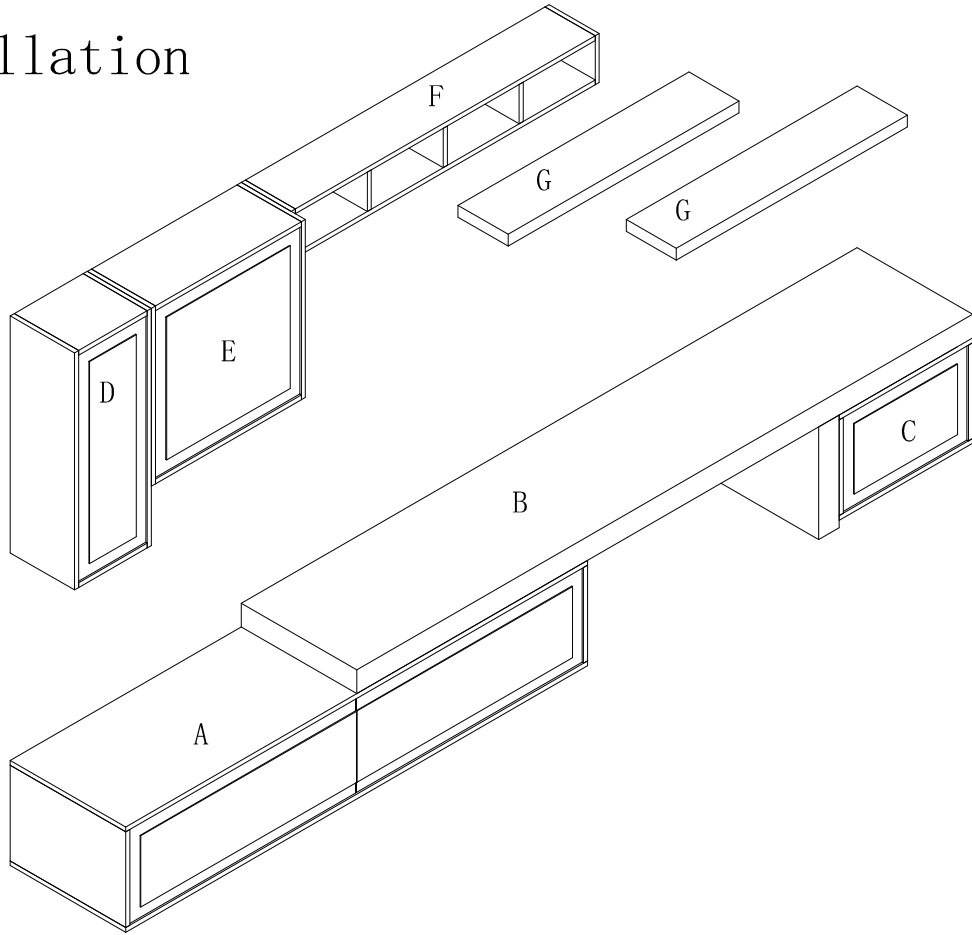




8



Installation



1

2

