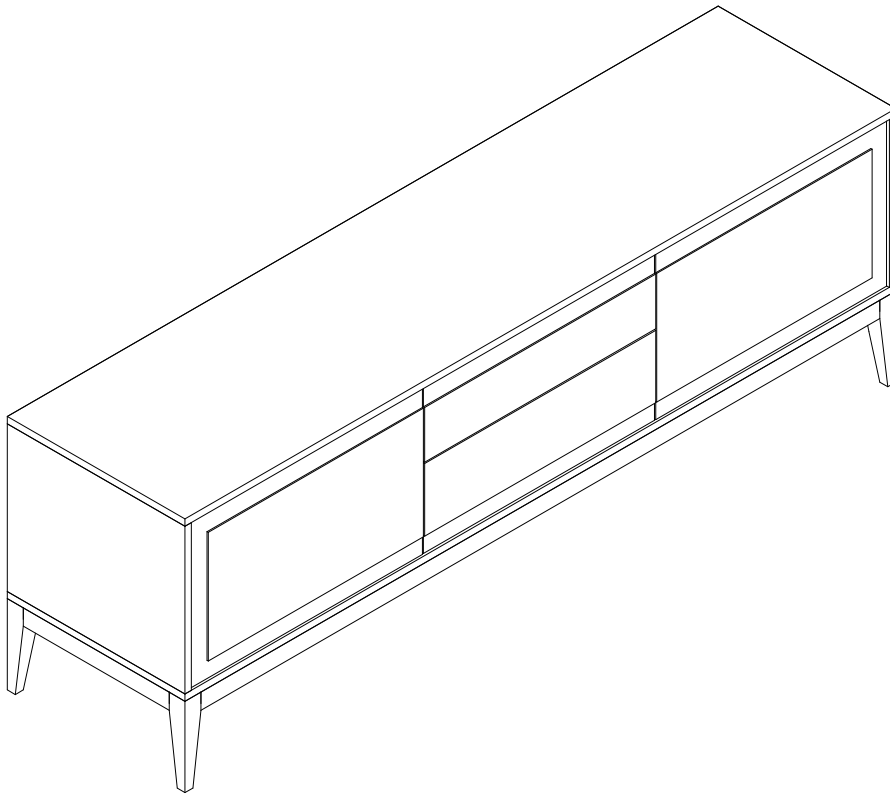


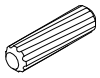
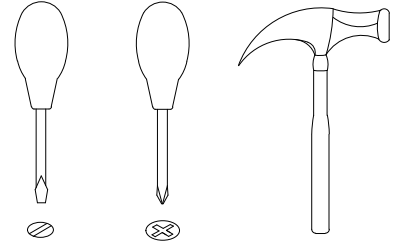
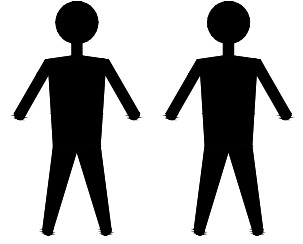
MOD
interiors

CP1709TV21

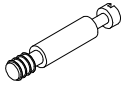


EAC

CP1709TV21



A x22
Spec: $\varnothing 8 \times 30$



B x18
Spec: $\varnothing 7 \times L30$



C x18
Spec: $\varnothing 15 \times H12$



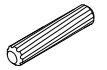
D x8
Spec: $\varnothing 6 \times L28$



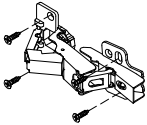
E x8
Spec: $\varnothing 12 \times H9$



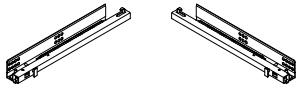
F x8
Spec: $\varnothing 6 \times L8$



G x8
Spec: $\varnothing 6 \times 30$



H x4
Spec: 089#



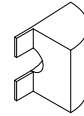
I x2
Spec: L400



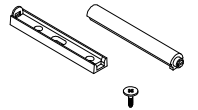
J x8
Spec: $3.8 \times L16$



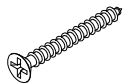
K x18
Spec: $\varnothing 3.5 \times L16$



L x18
Spec: H13



M x2
Spec:



O x8
Spec: $\varnothing 3.5 \times L35$



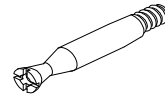
P x26
Spec:



Q x4
Spec: $\varnothing 3.5 \times L11$



R x16
Spec: $\varnothing 3.8 \times L38$



S x8
Spec: $\varnothing 7 \times L48$



T x8
Spec: $\varnothing 15 \times H15$



U x12
Spec:



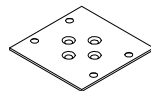
V x14
Spec: $\varnothing 8 \times \varnothing 14$



W x4
Spec: M6*45



X x10
Spec: M6*35



Y x2
Spec: $78 \times 78 \times 1.8$



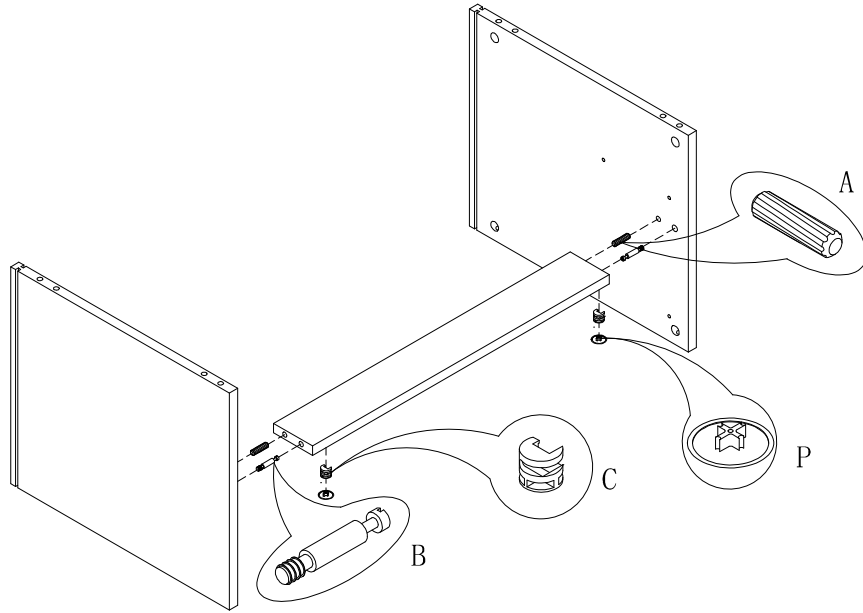
Z x8
Spec: $\varnothing 4 \times L16$



A1 x8
Spec: $\varnothing 3.5 \times L20$

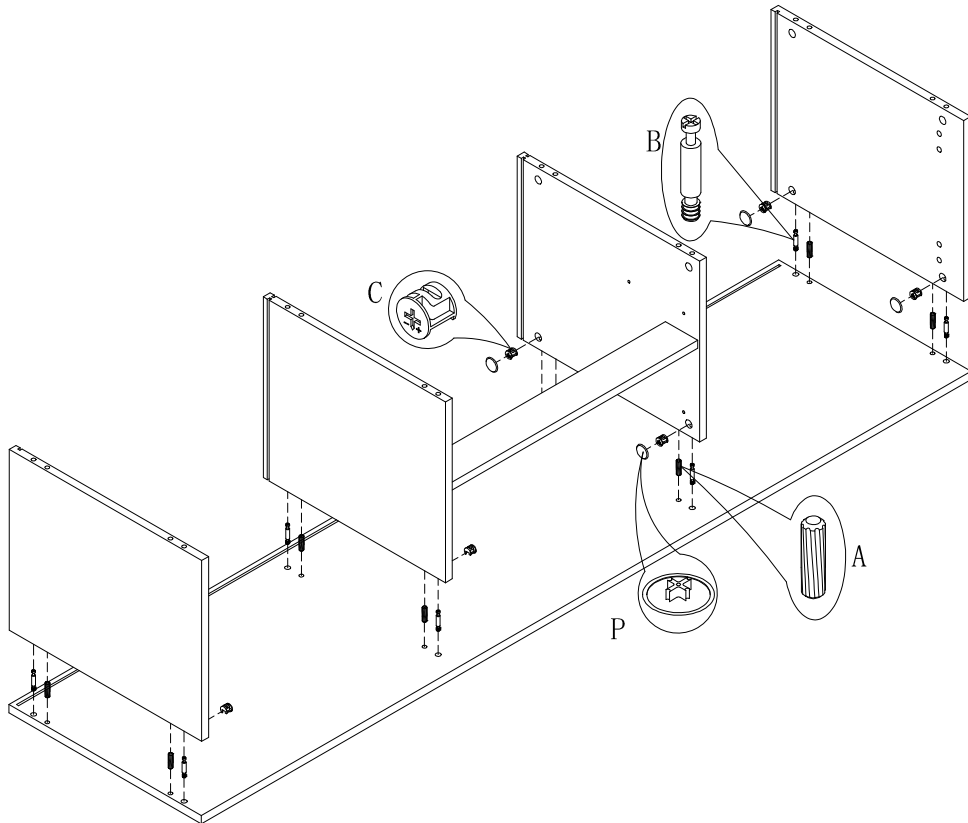


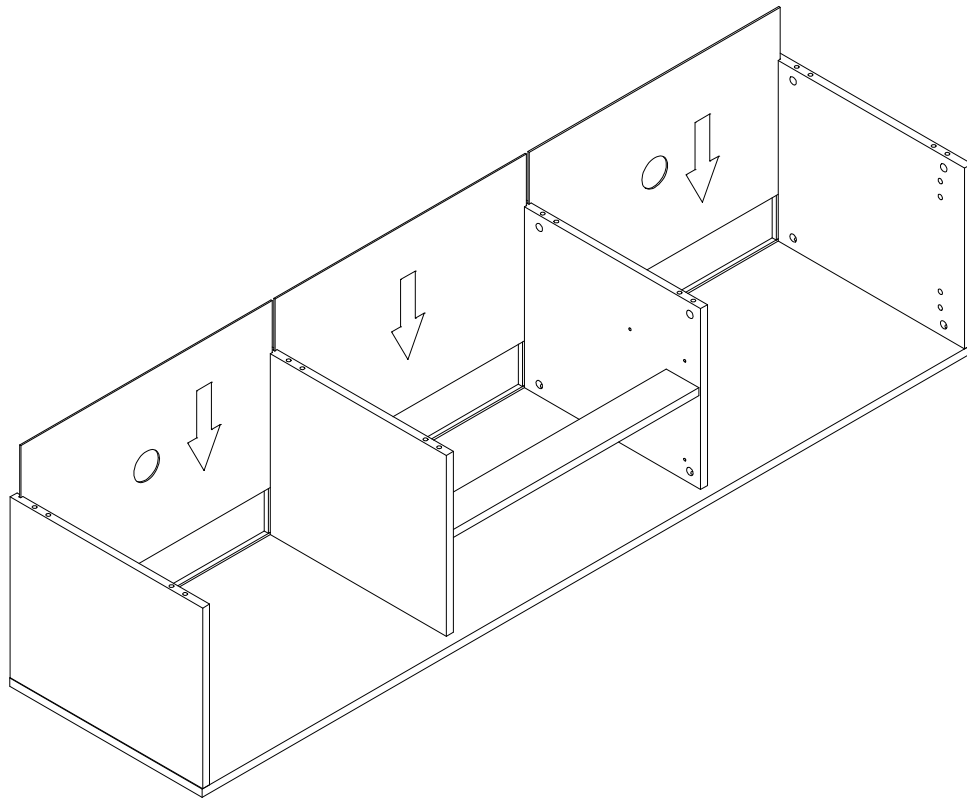
AAA x8
Spec: $\varnothing 3.8 \times L12$



1

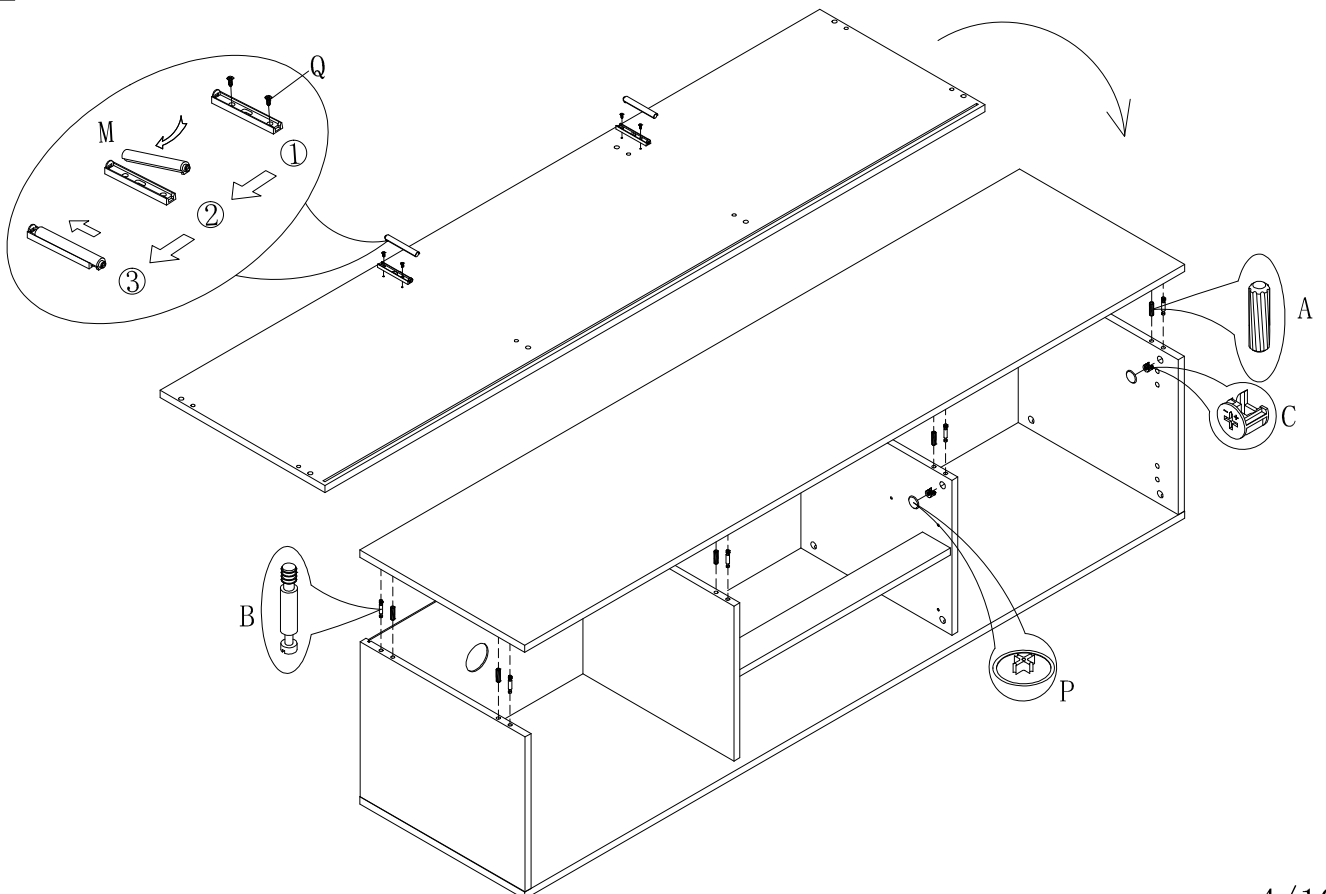
2

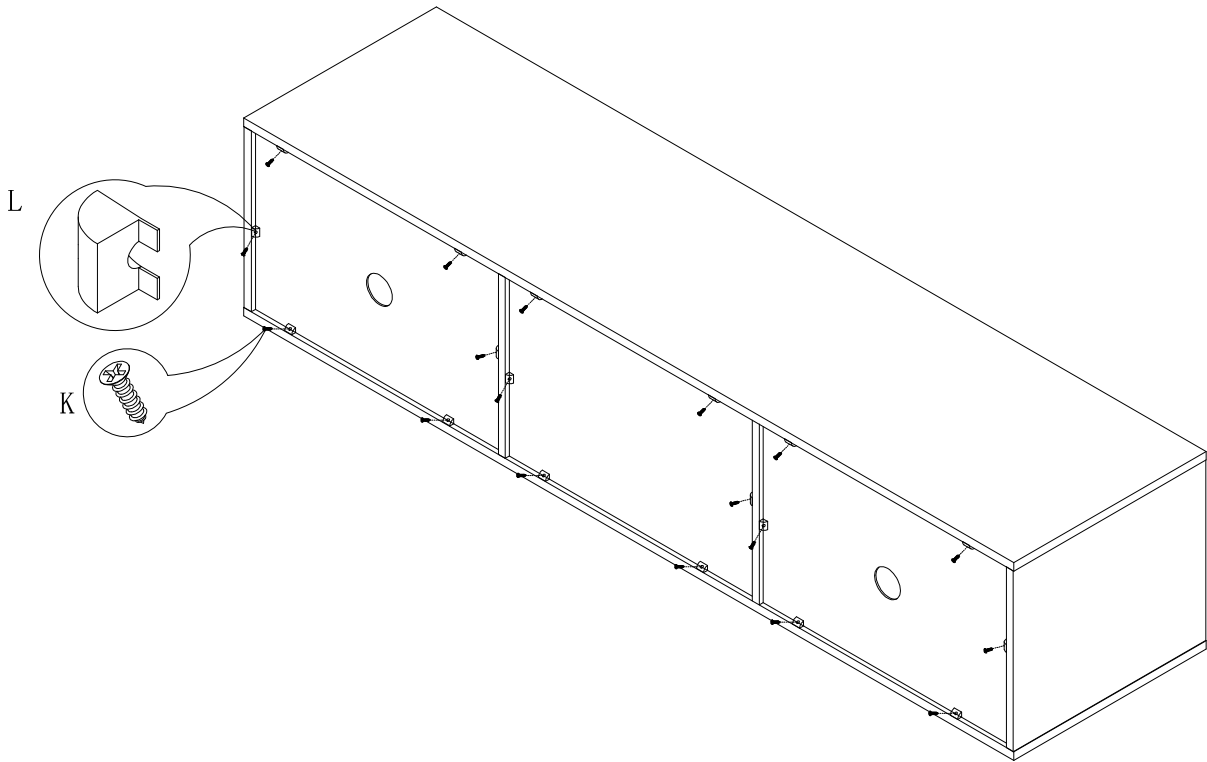




3

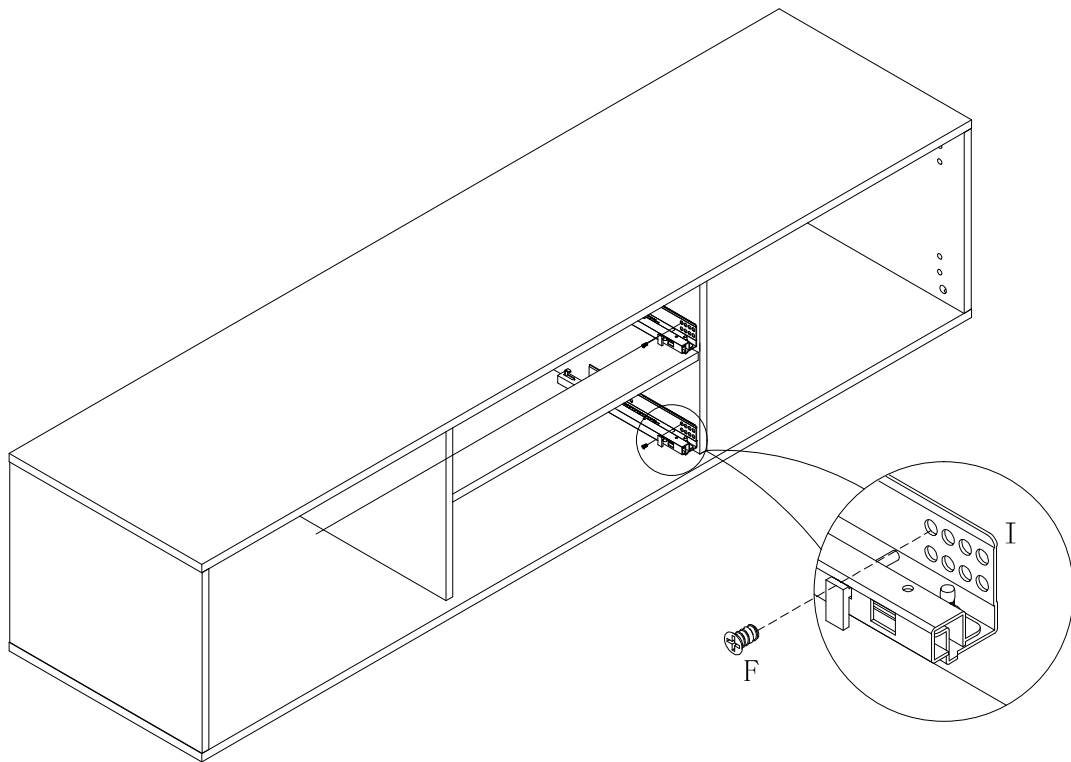
4

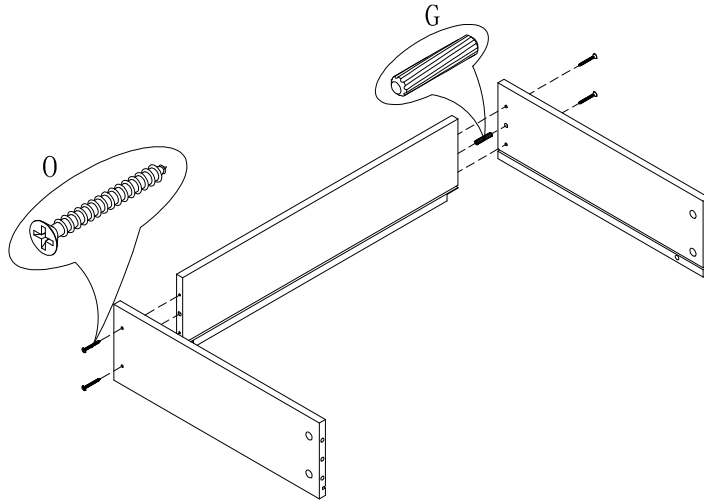




5

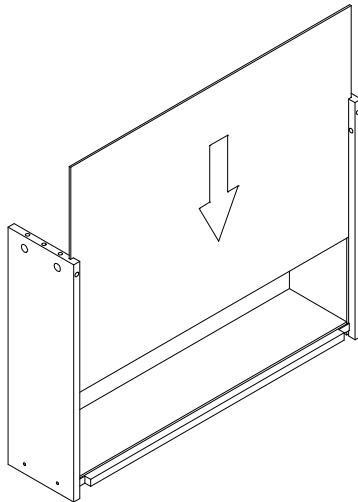
6

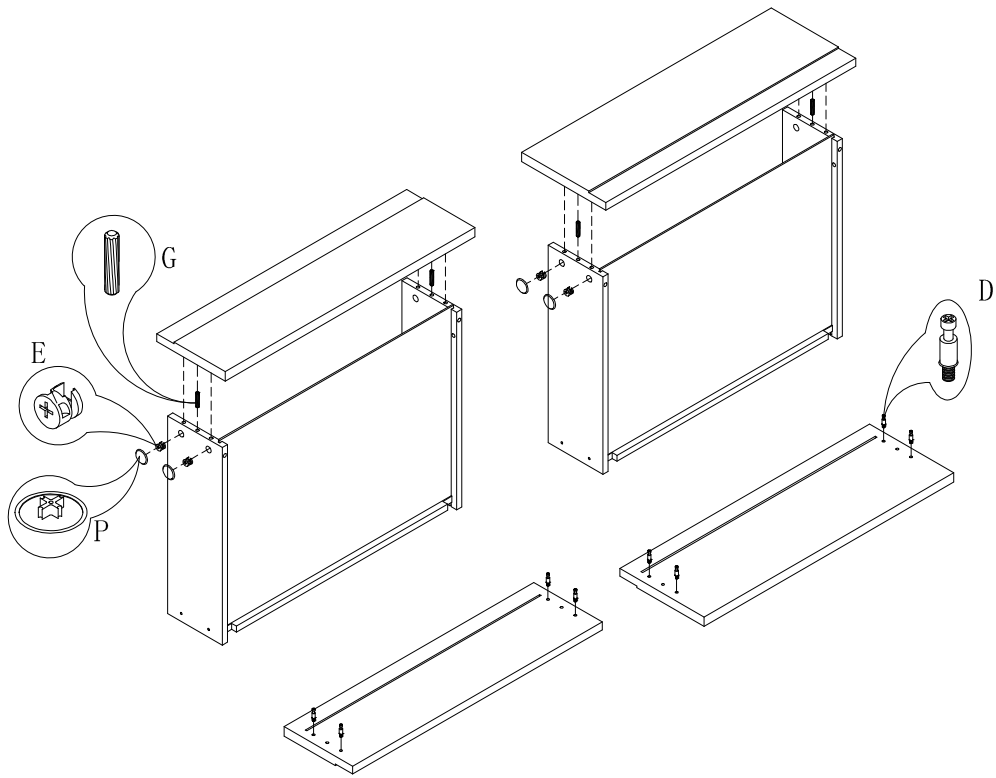




7

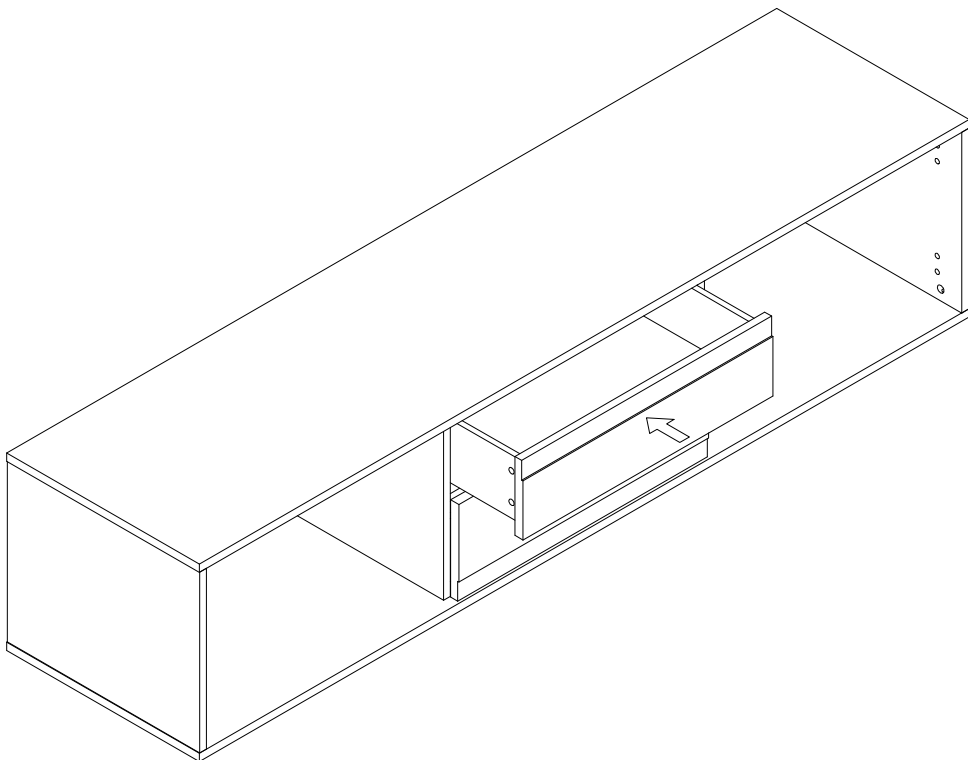
8

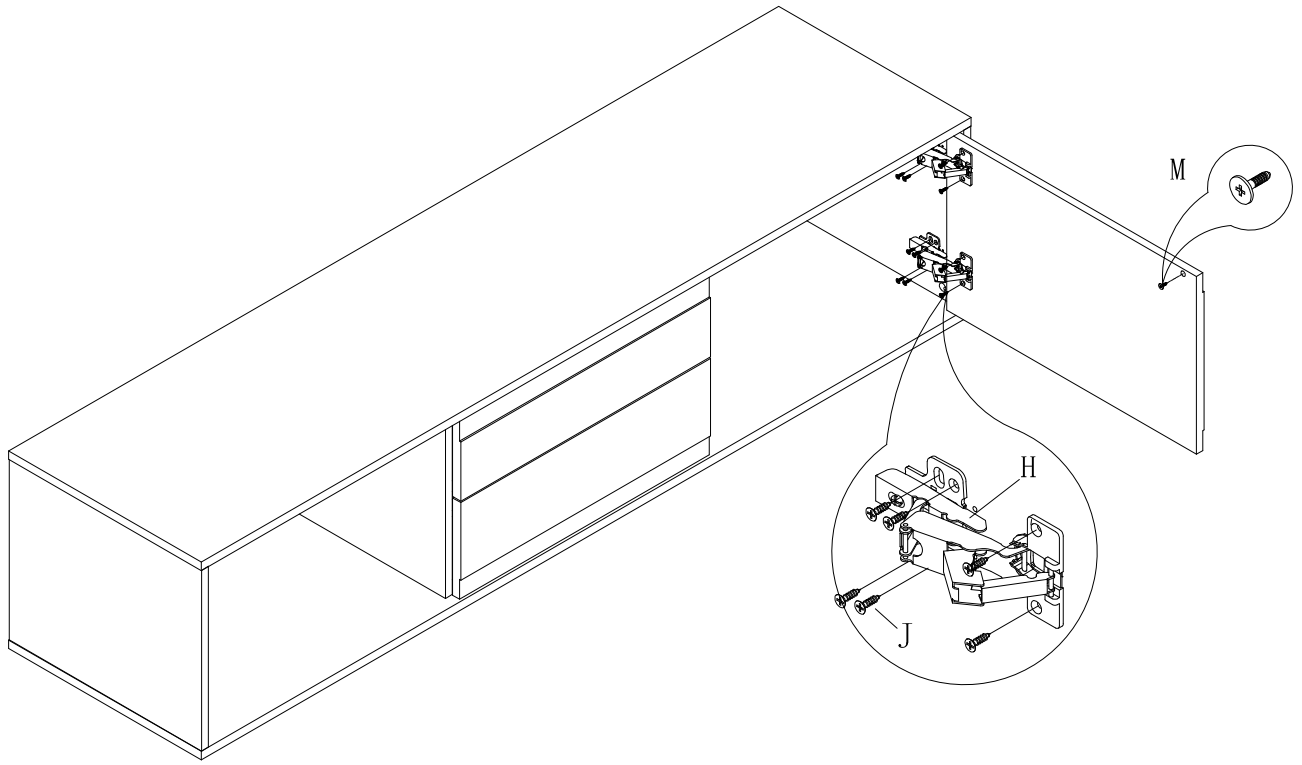




9

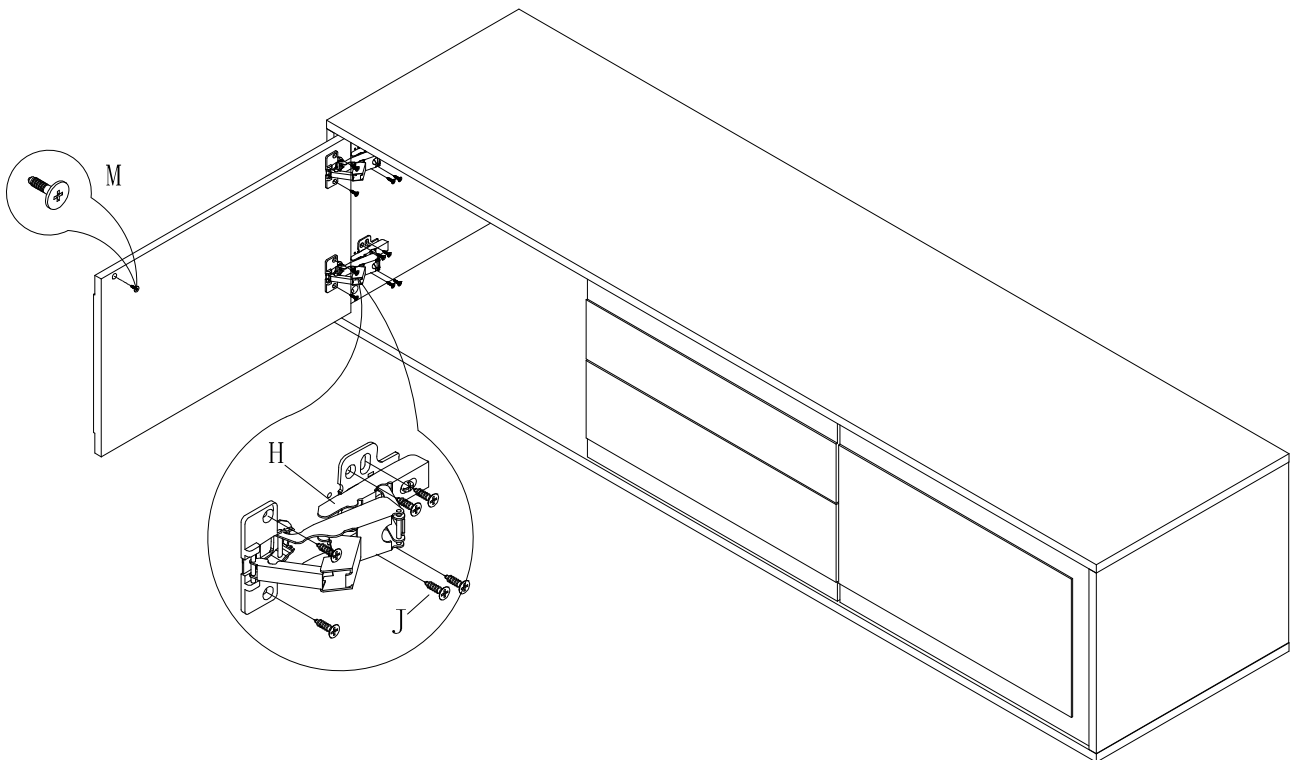
10

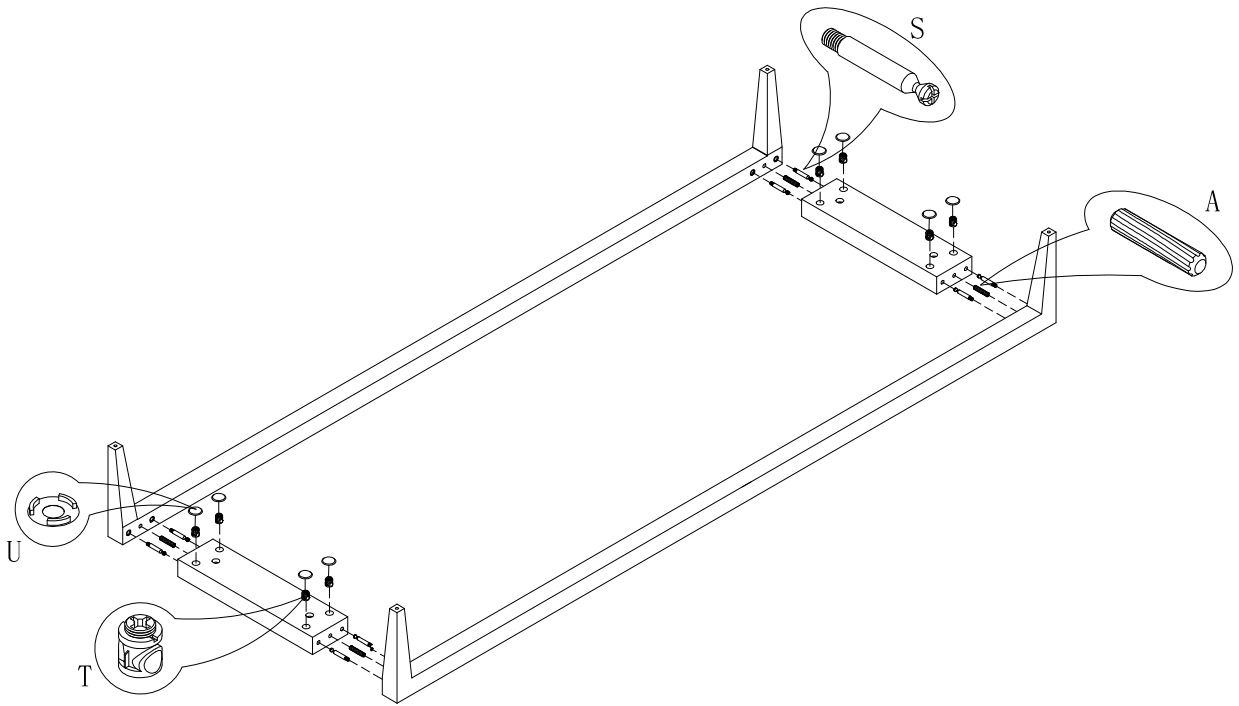




11

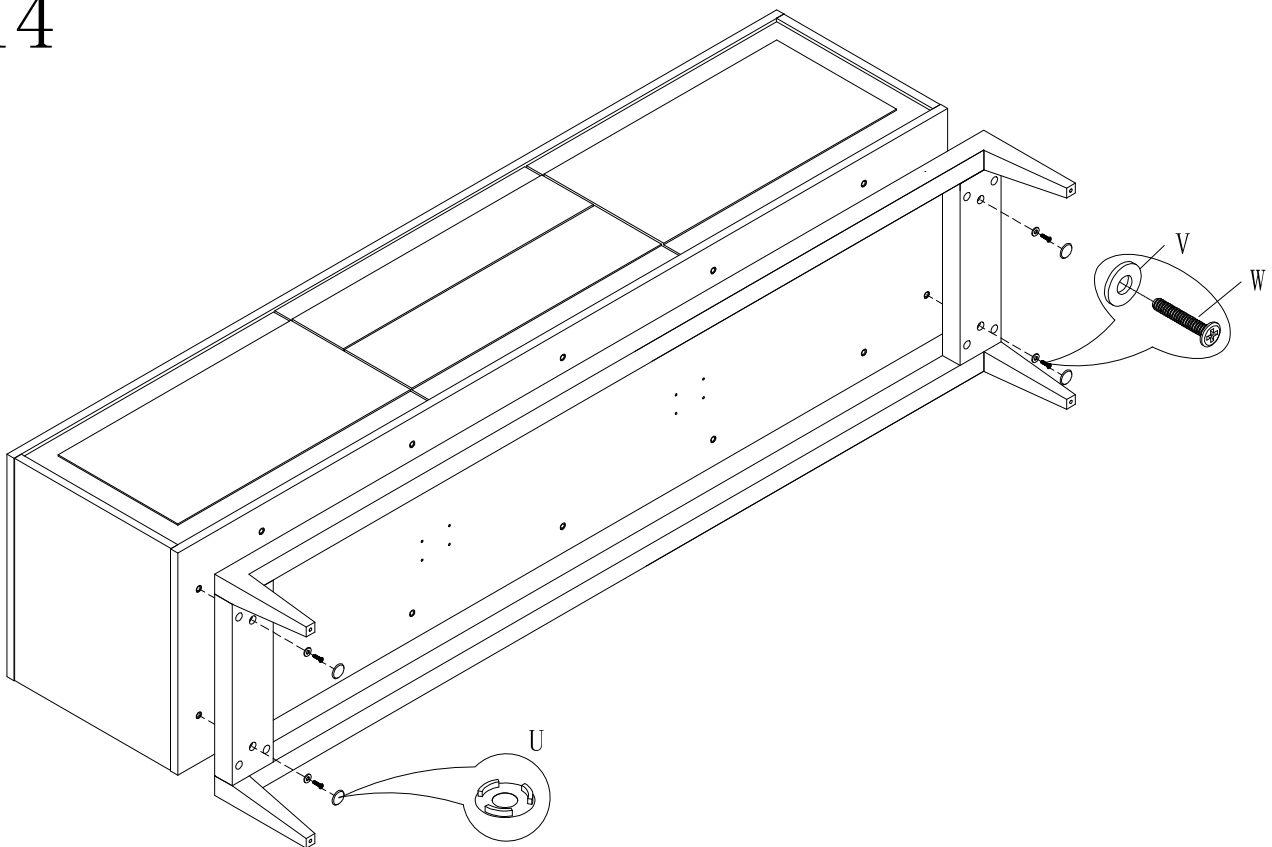
12

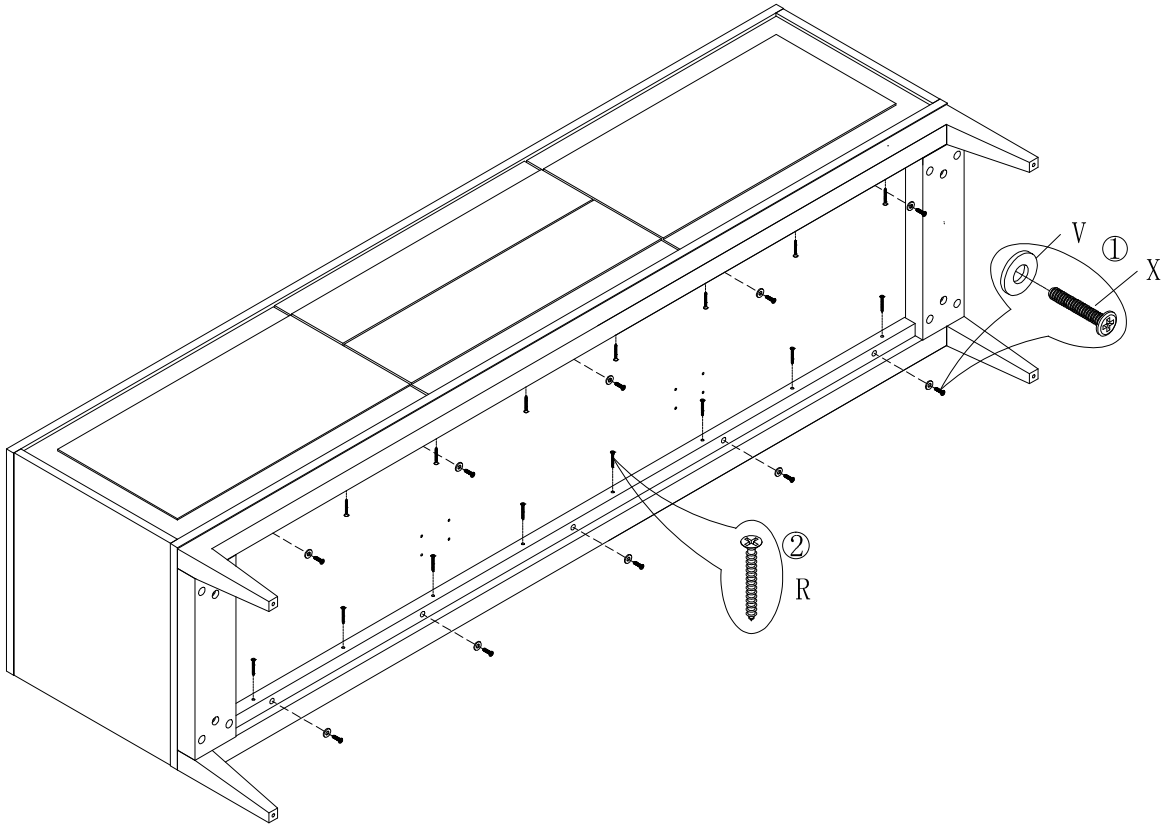




13

14





15

16

