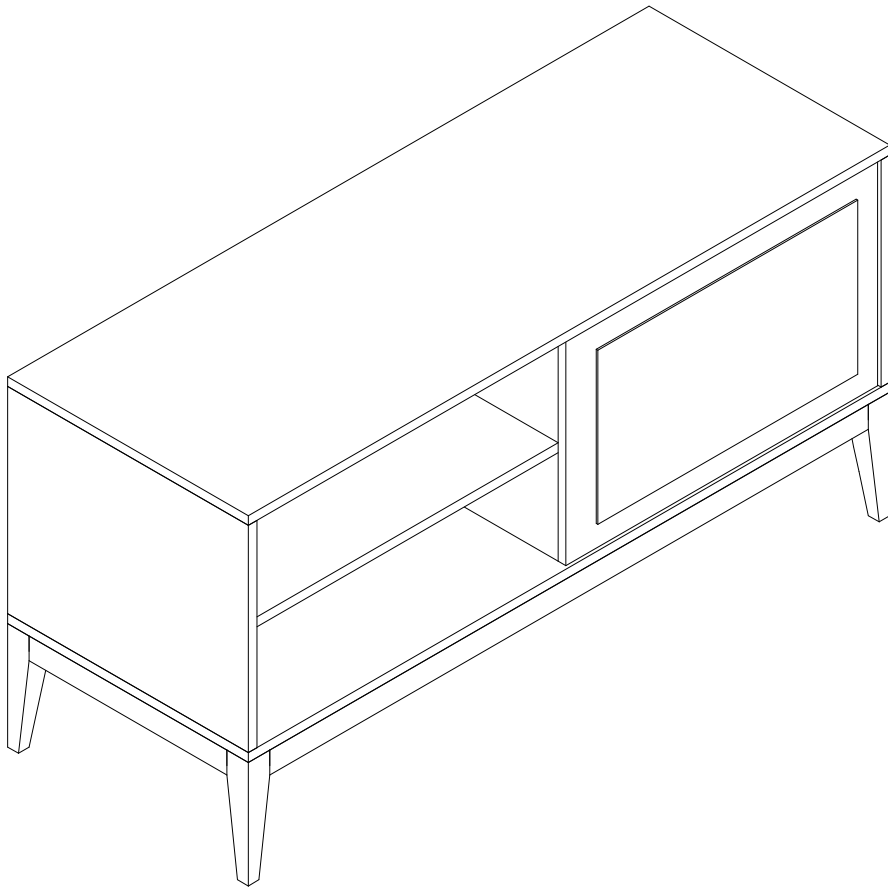


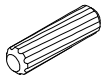
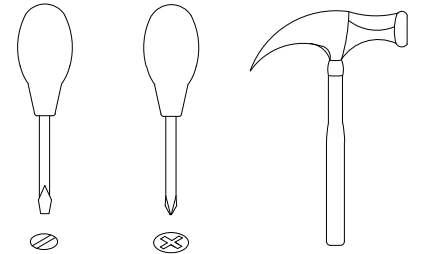
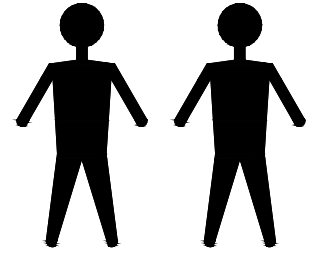
MOD
interiors

CP1709TV22

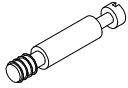


EAC

CP1709TV1



A x16
Spec: $\phi 8 \times 30$



B x6
Spec: $\phi 7 \times L30$



C x6
Spec: $\phi 15 \times H12$



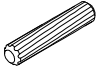
D x4
Spec: $\phi 6 \times L28$



E x4
Spec: $\phi 12 \times H9$



F x4
Spec: $\phi 6 \times L8$



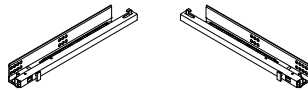
G x8
Spec: $\phi 6 \times 30$



H x4
Spec: $\phi 5 \times L19$



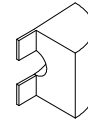
I x4
Spec: $\phi 20 \times H12$



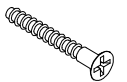
J x1
Spec: L400



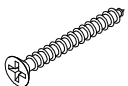
K x12
Spec: $\phi 3.5 \times L16$



L x12
Spec: H13



N x6
Spec: $\phi 5 \times L38$



O x4
Spec: $\phi 3.5 \times L35$



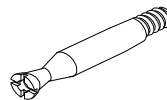
P x10
Spec:



Q x4
Spec: $\phi 3.8 \times L20$



R x12
Spec: $\phi 3.8 \times L38$



S x8
Spec: $\phi 7 \times L48$



T x8
Spec: $\phi 15 \times H15$



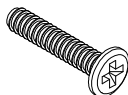
U x12
Spec:



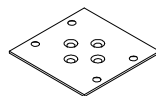
V x12
Spec: $\phi 8 \times \phi 14$



W x4
Spec: M6*30



X x8
Spec: M6*35



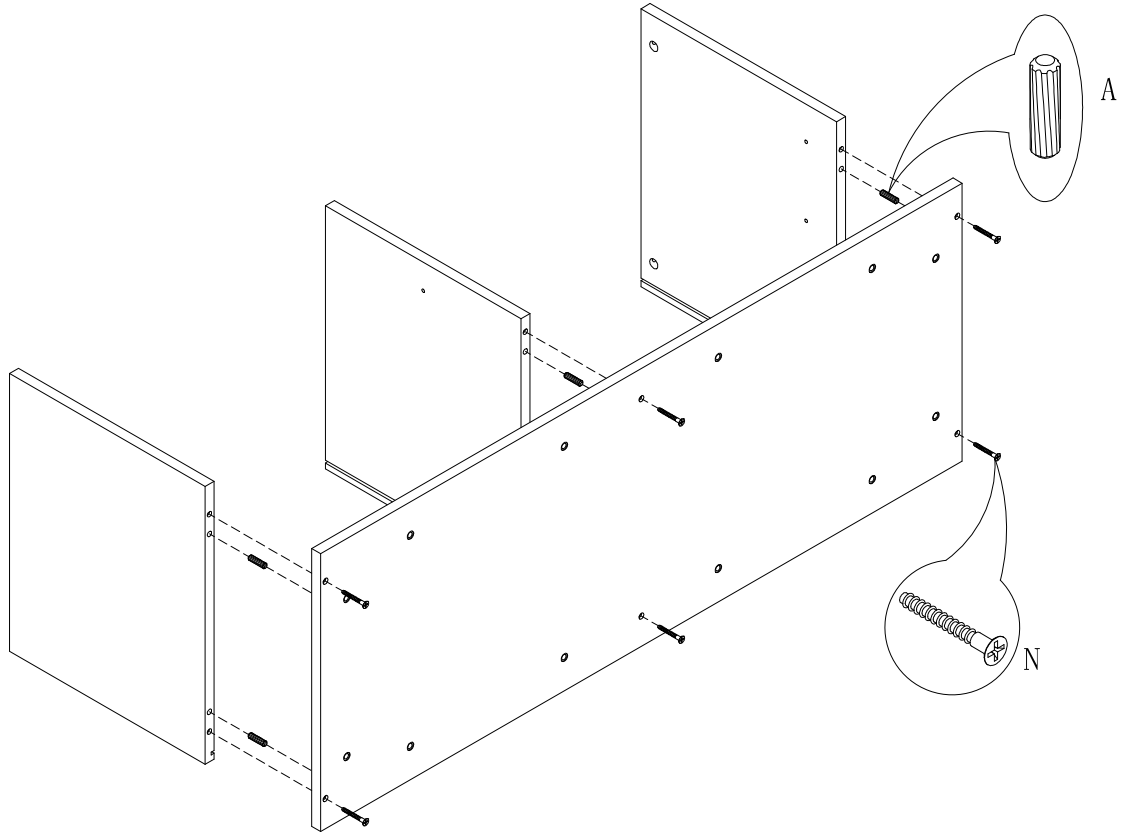
Y x1
Spec: $78 \times 78 \times 1.8$



Z x4
Spec: $\phi 4 \times L16$

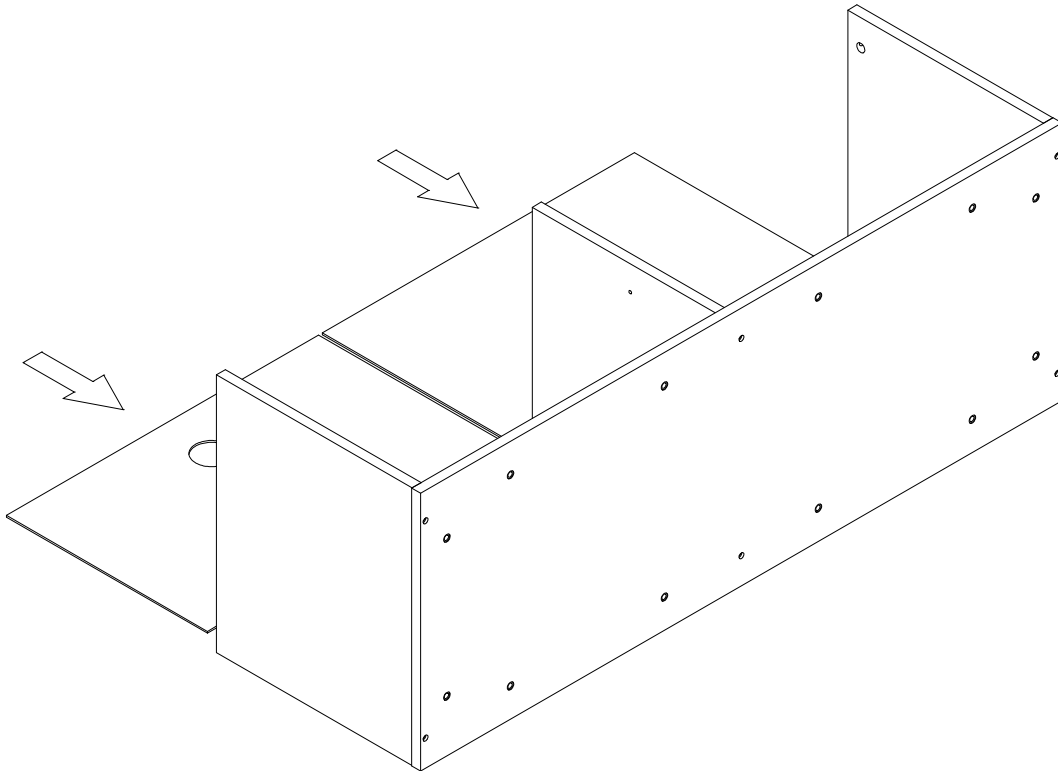


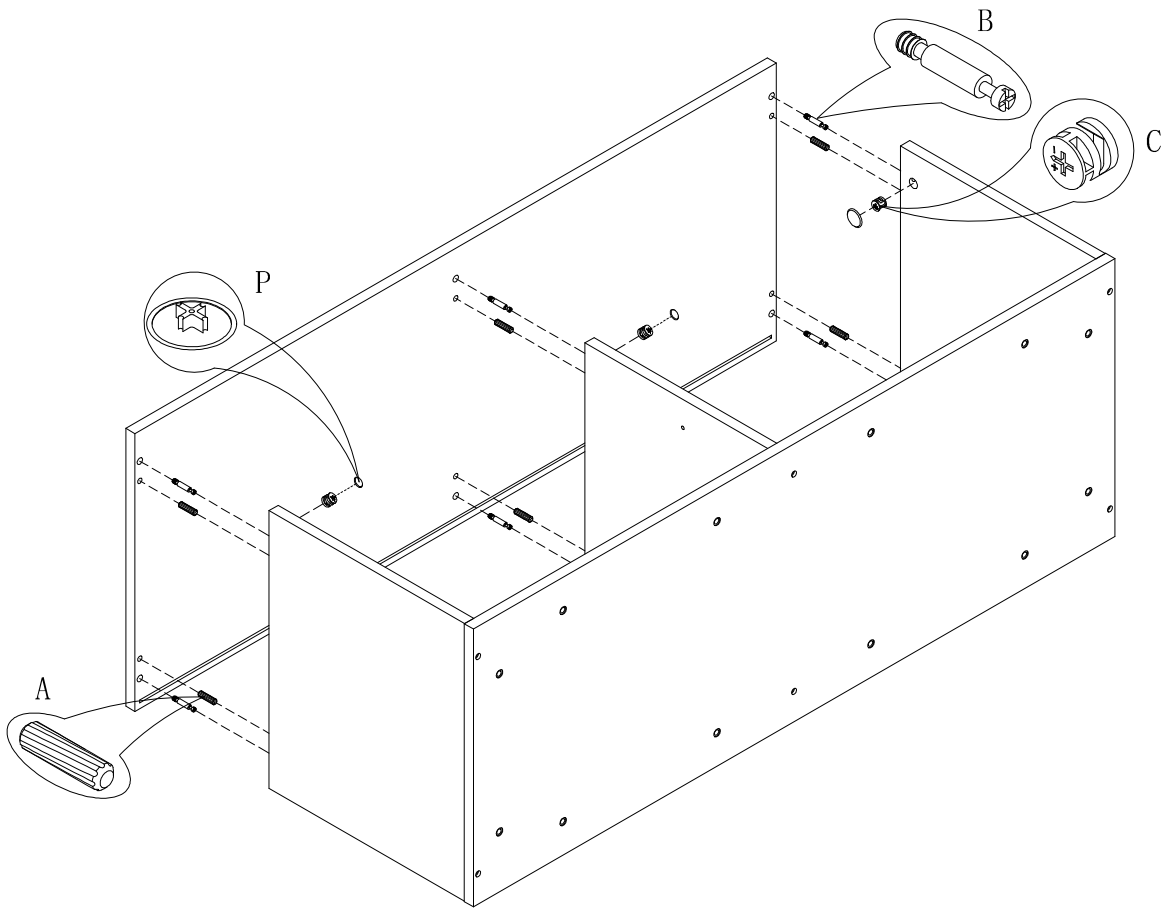
AAA x4
Spec: $\phi 3.8 \times L12$



1

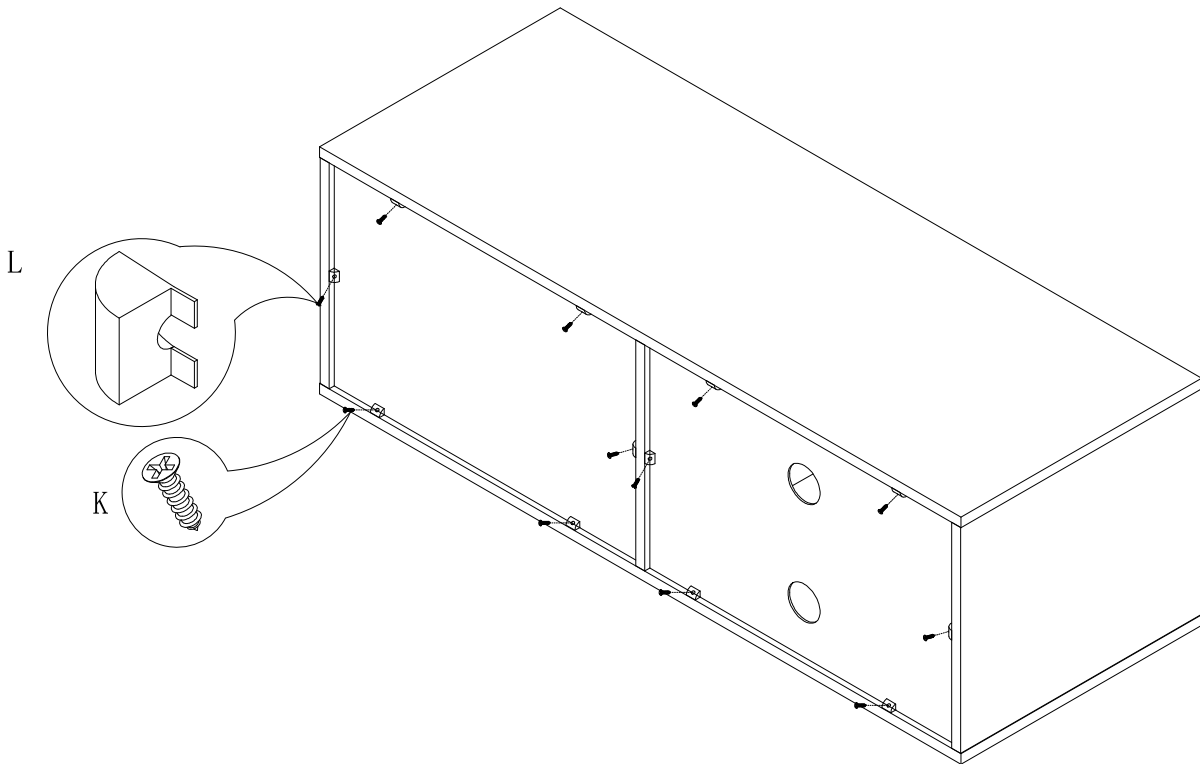
2

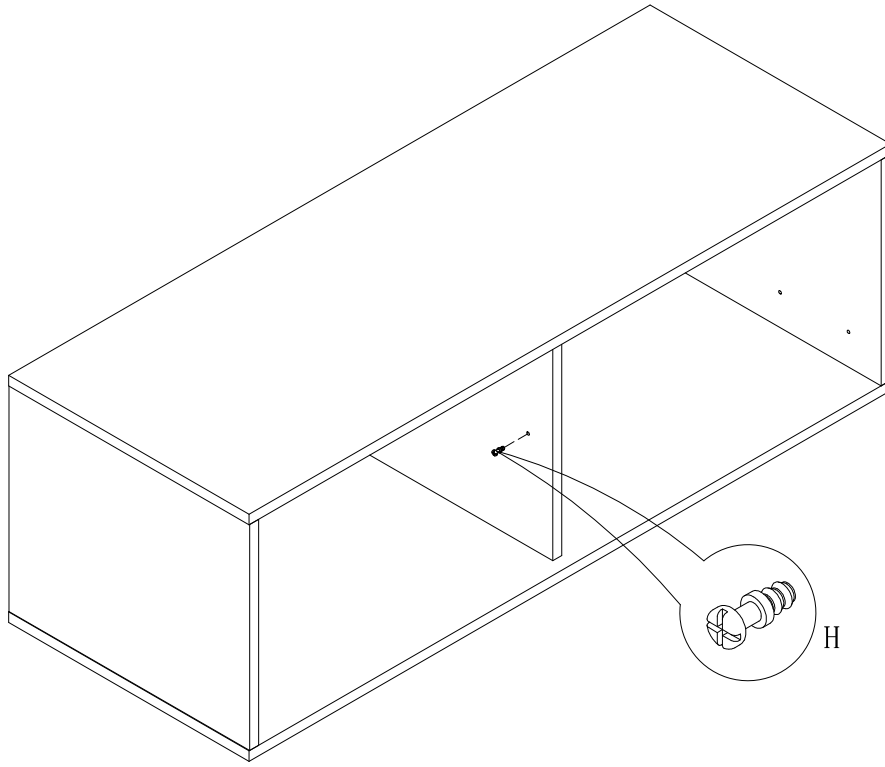




3

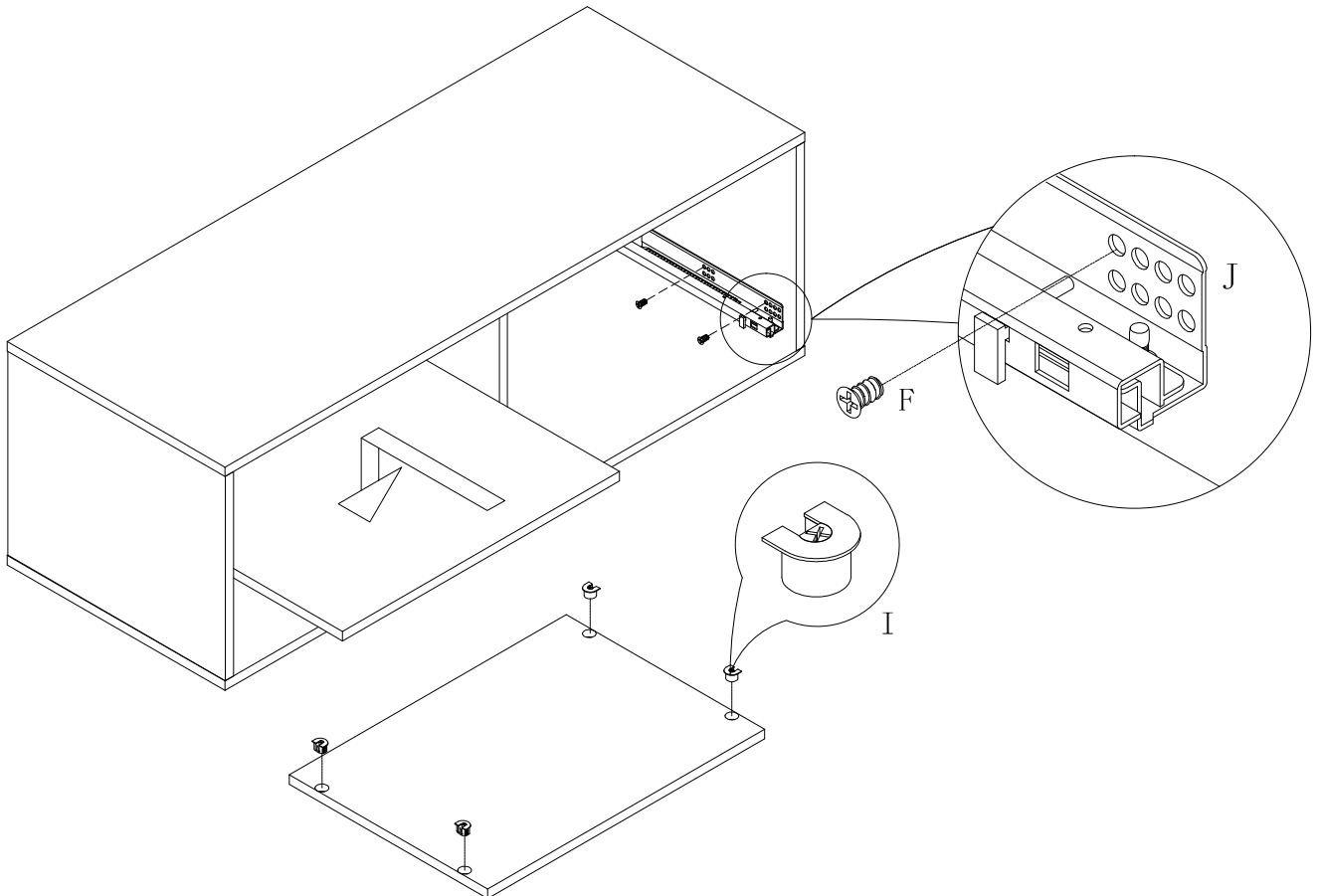
4

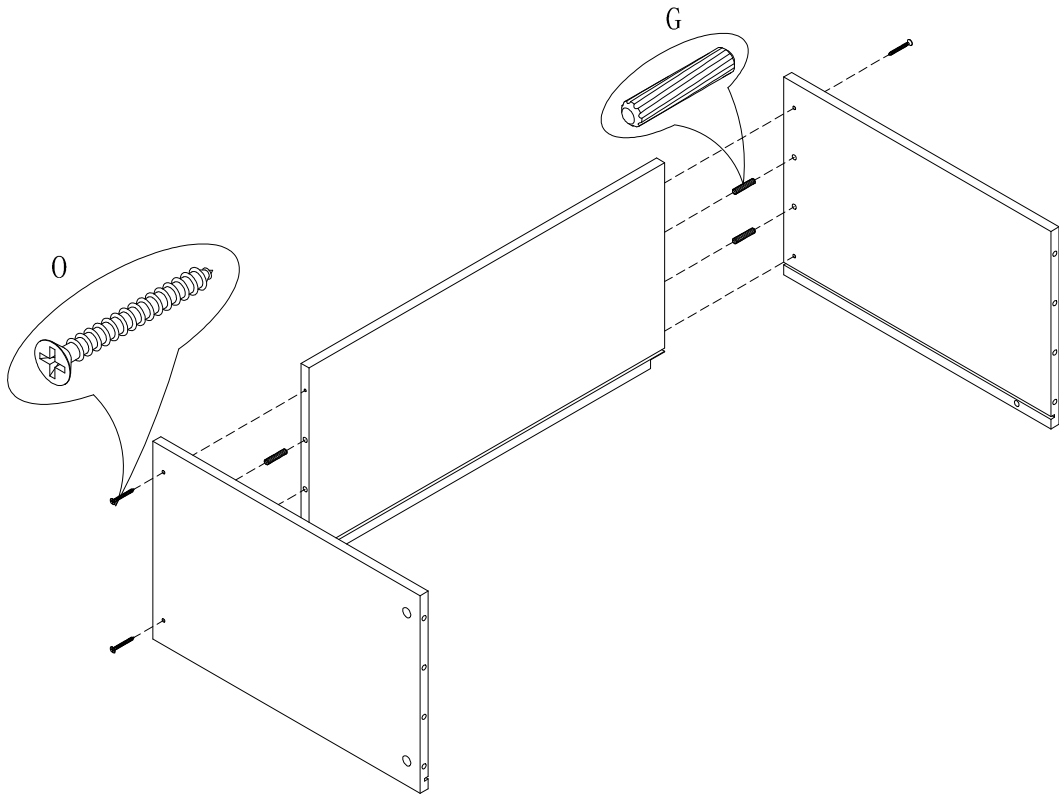




5

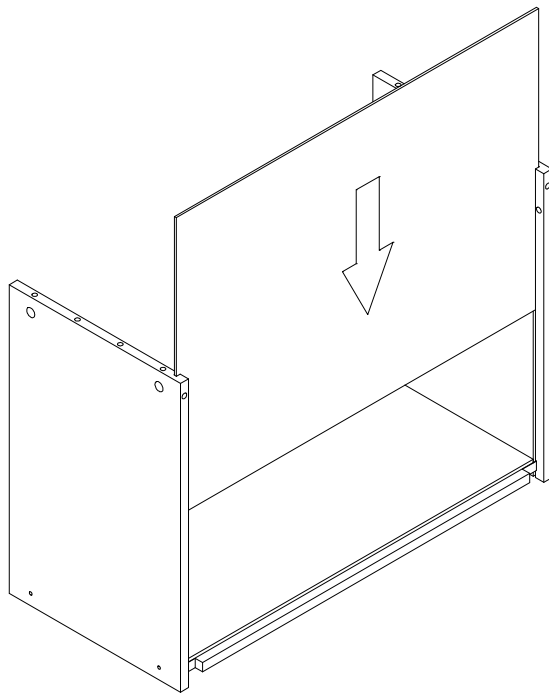
6

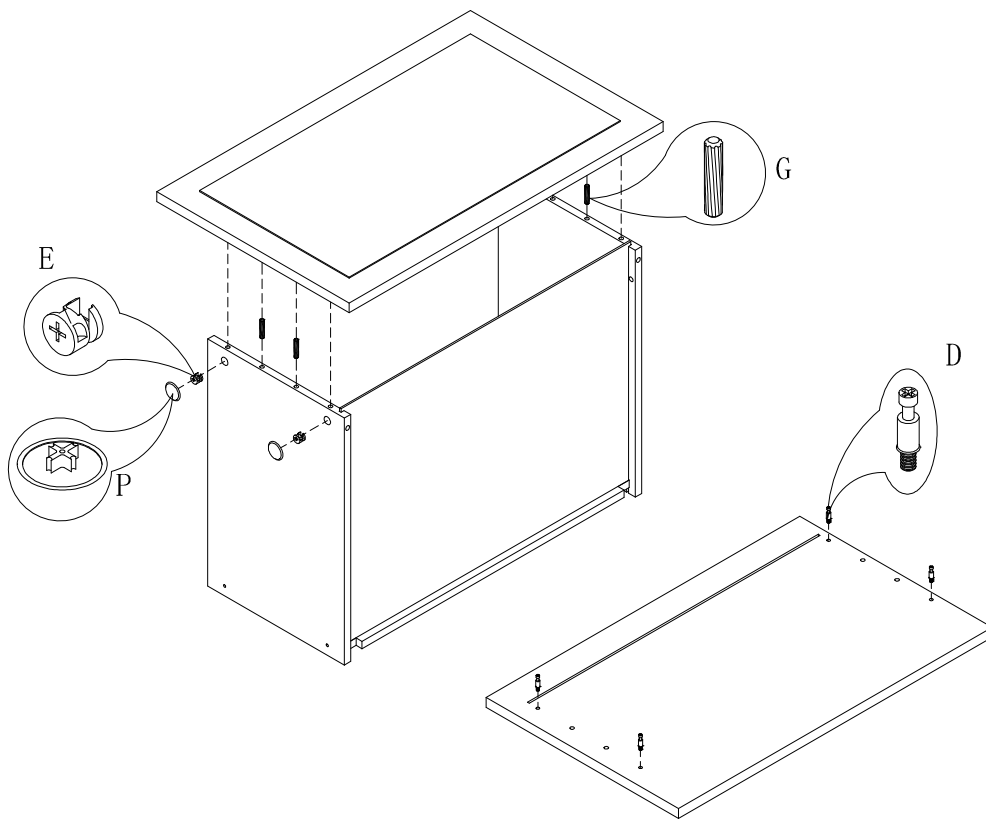




7

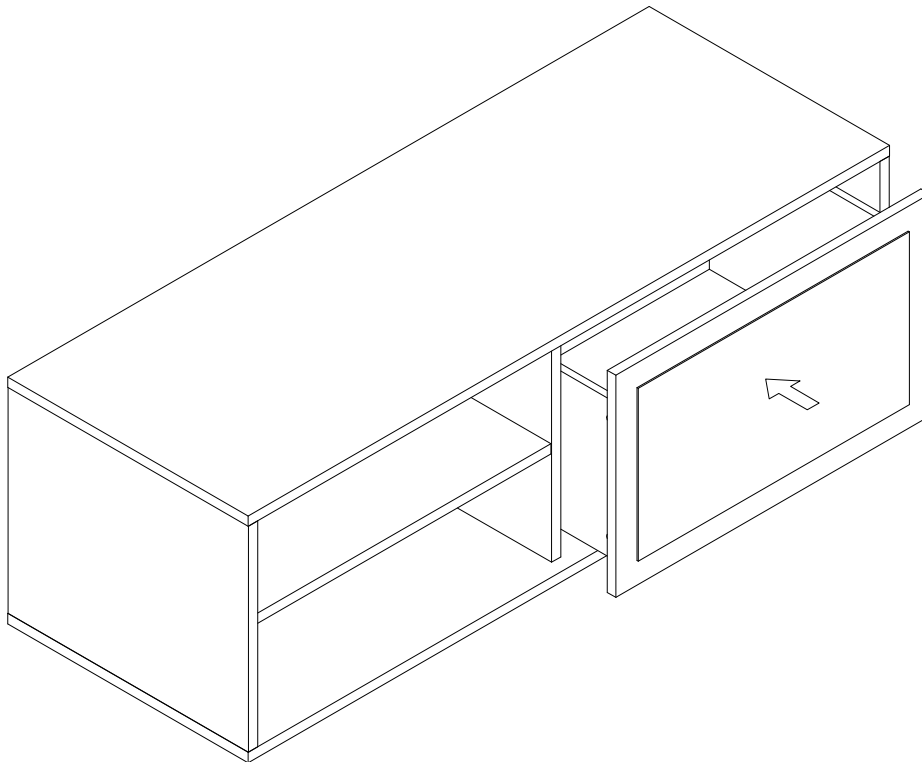
8

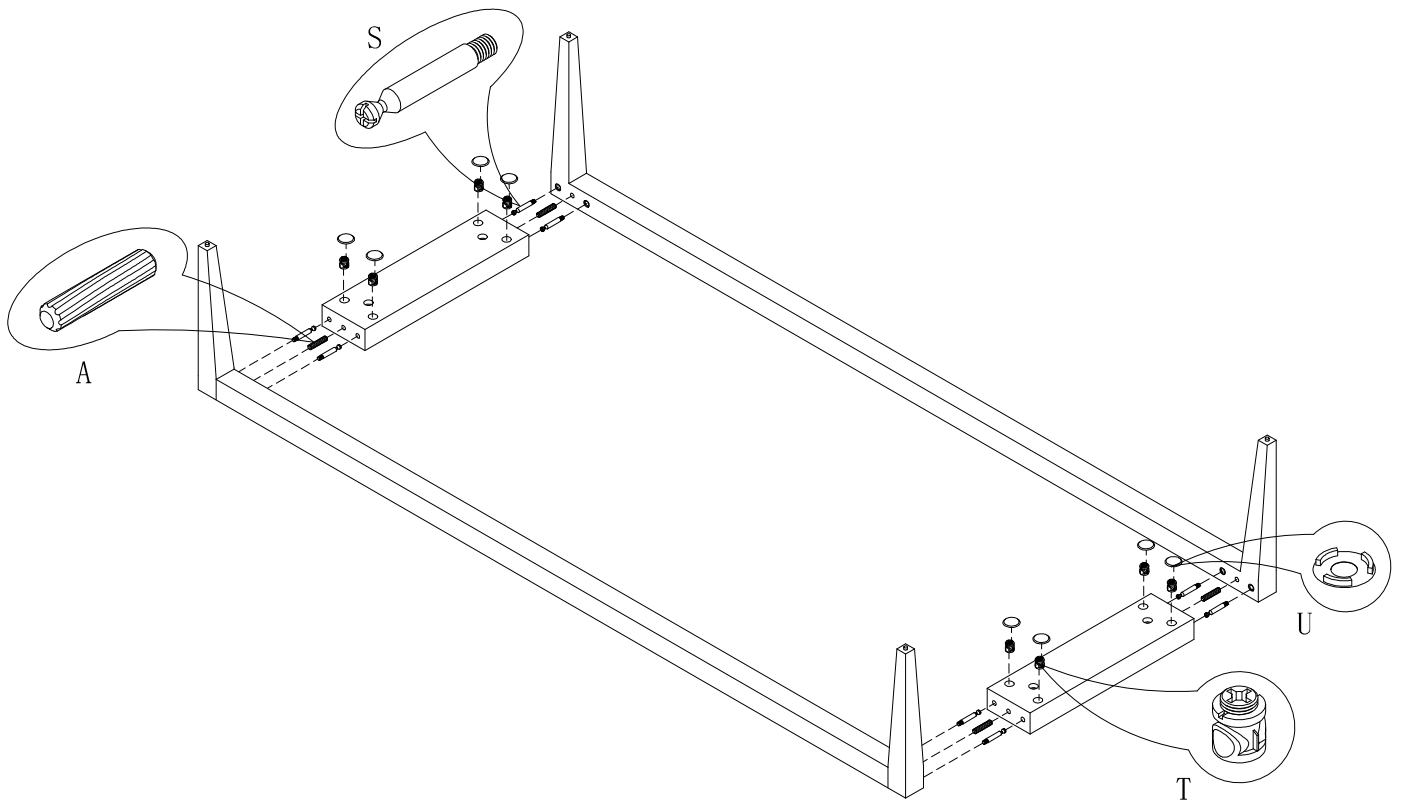




9

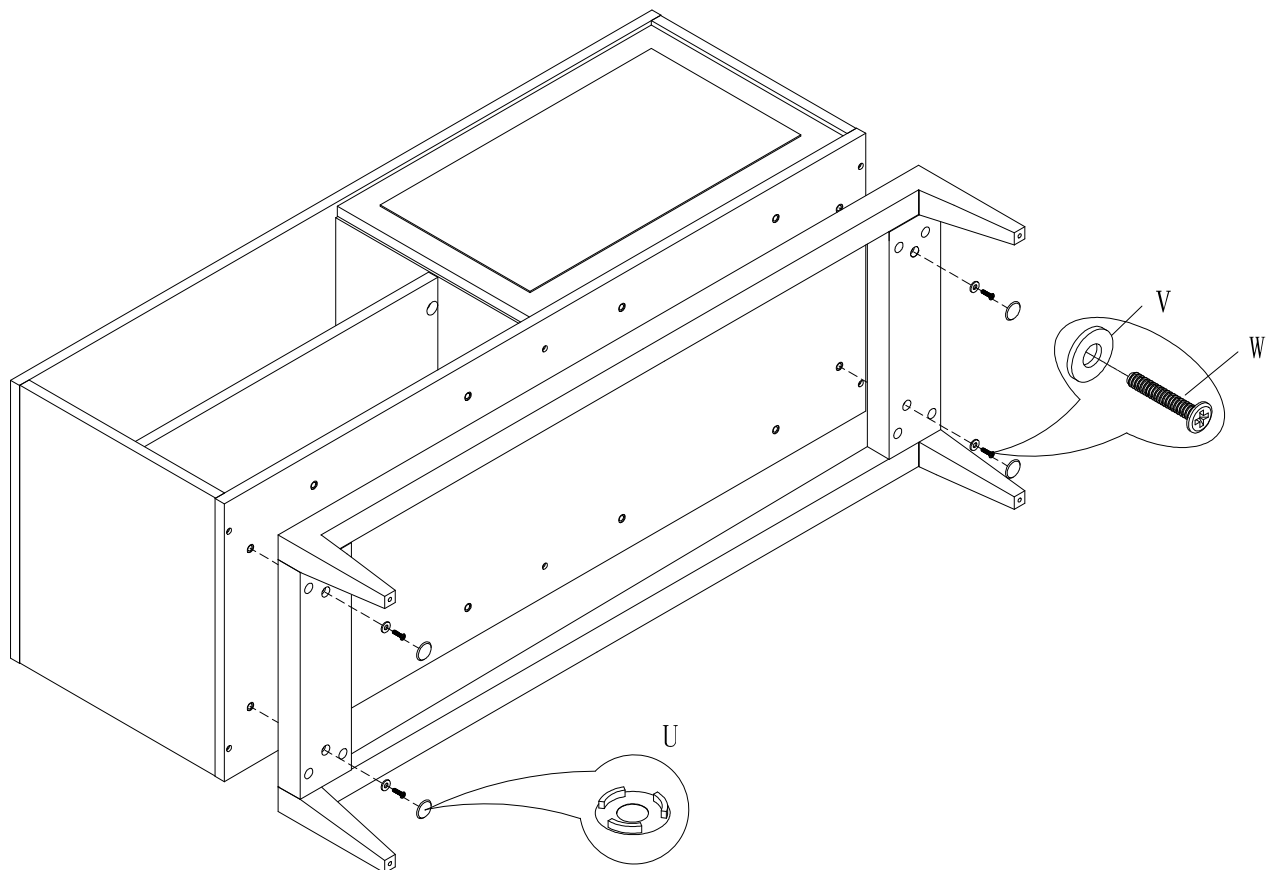
10

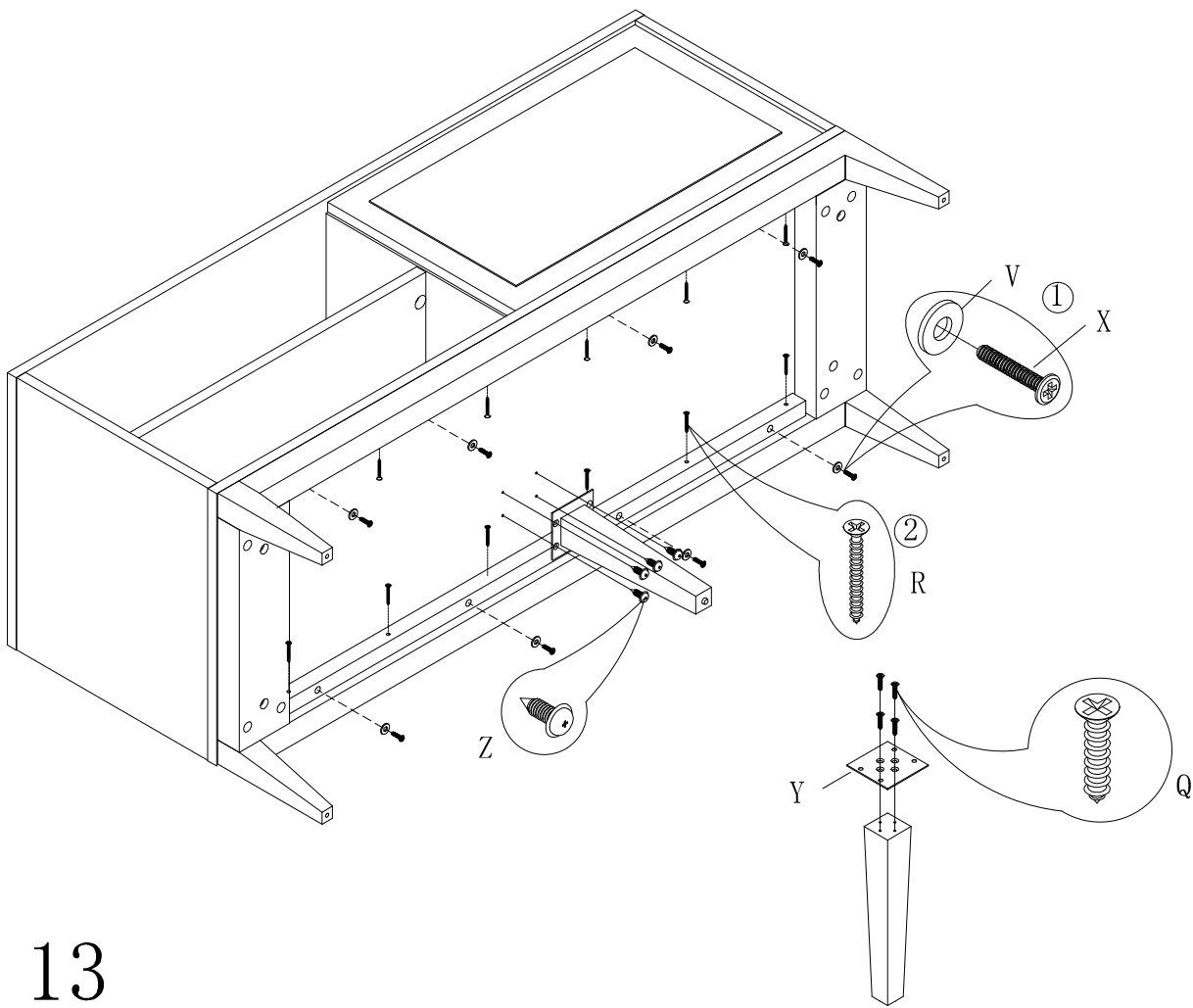




11

12





13

14

