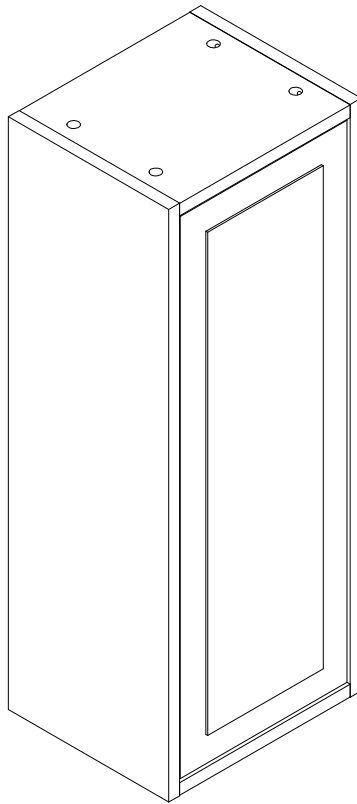


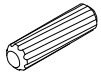
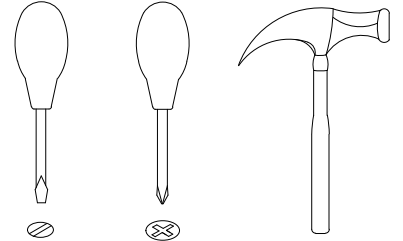
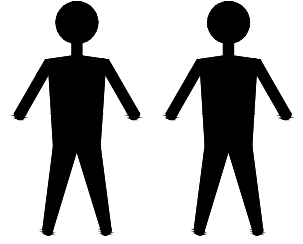
MOD
interiors

CP1709TV3-D

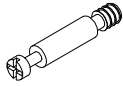


EAC

CP1709TV3-D



A x16
Spec: $\varnothing 8 \times 30$



B x8
Spec: $\varnothing 7 \times L30$



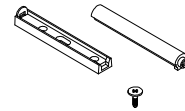
C x8
Spec: $\varnothing 15 \times H12$



D x6
Spec: $\varnothing 6 \times L28$



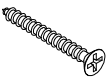
E x6
Spec: $\varnothing 12 \times H9$



F x1
Spec:



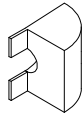
G x2
Spec: $\varnothing 3.5 \times L11$



H x3
Spec: $\varnothing 3.8 \times L38$



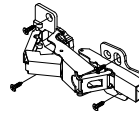
I x5
Spec: $\varnothing 3.5 \times L16$



J x5
Spec: H13



K x2
Spec: $\varnothing 6 \times 30$



L x2
Spec: 089#



M x4
Spec: $3.8 \times L16$



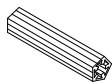
N x14
Spec:



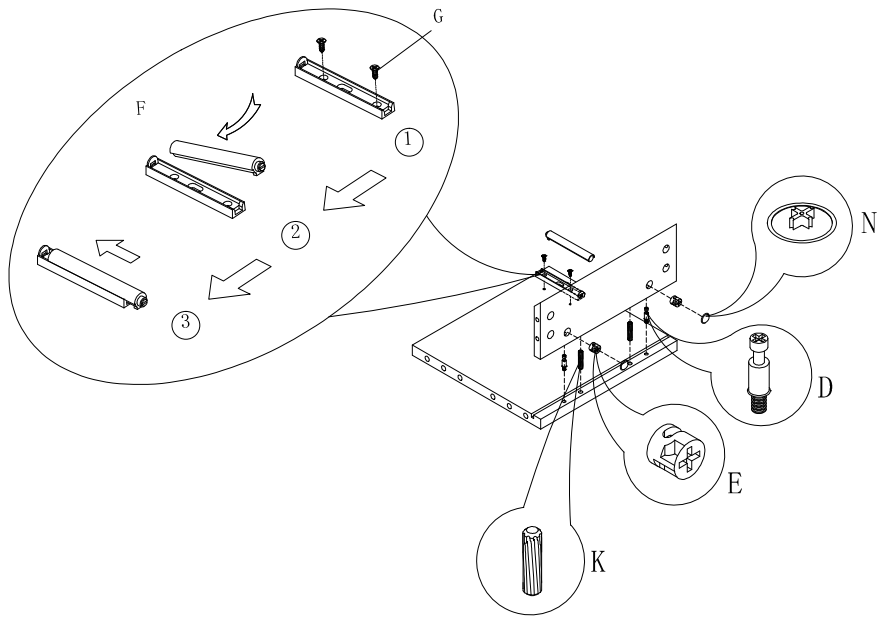
O x8
Spec: $\varnothing 5 \times L19$



P x8
Spec: $\varnothing 20 \times H12$

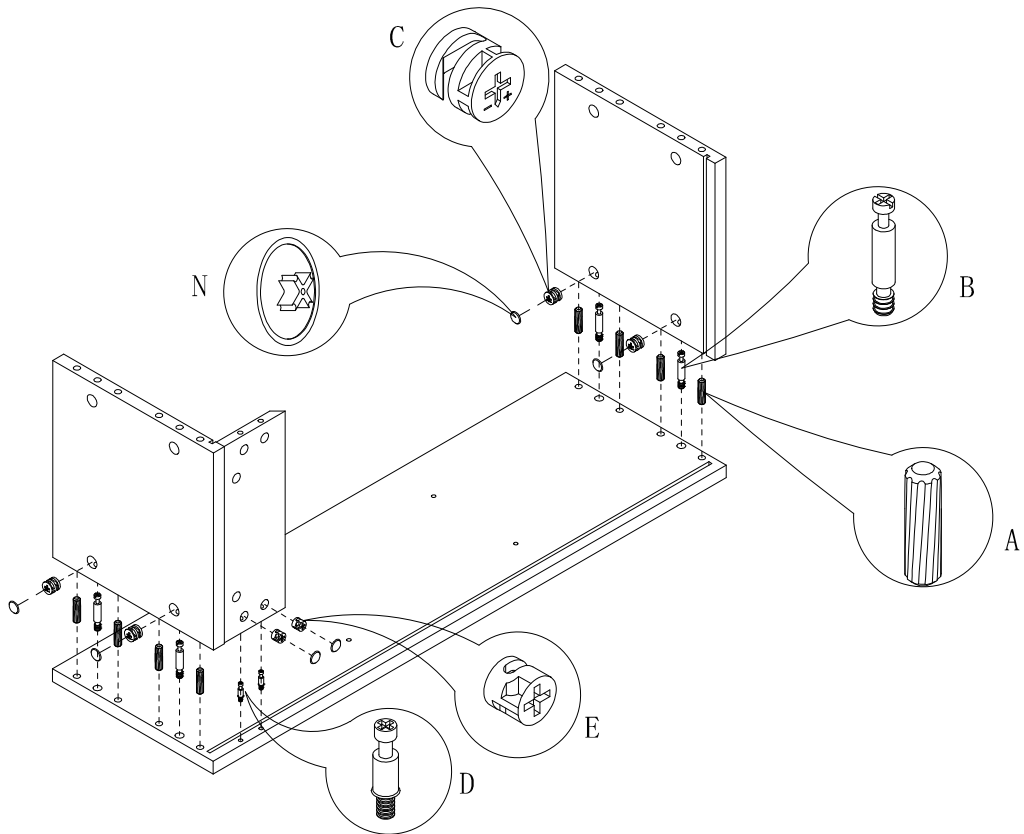


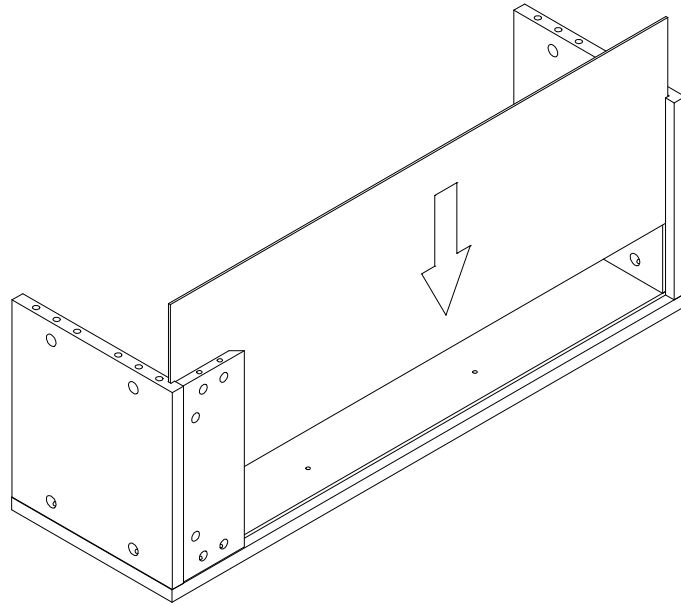
Q x3
Spec:



1

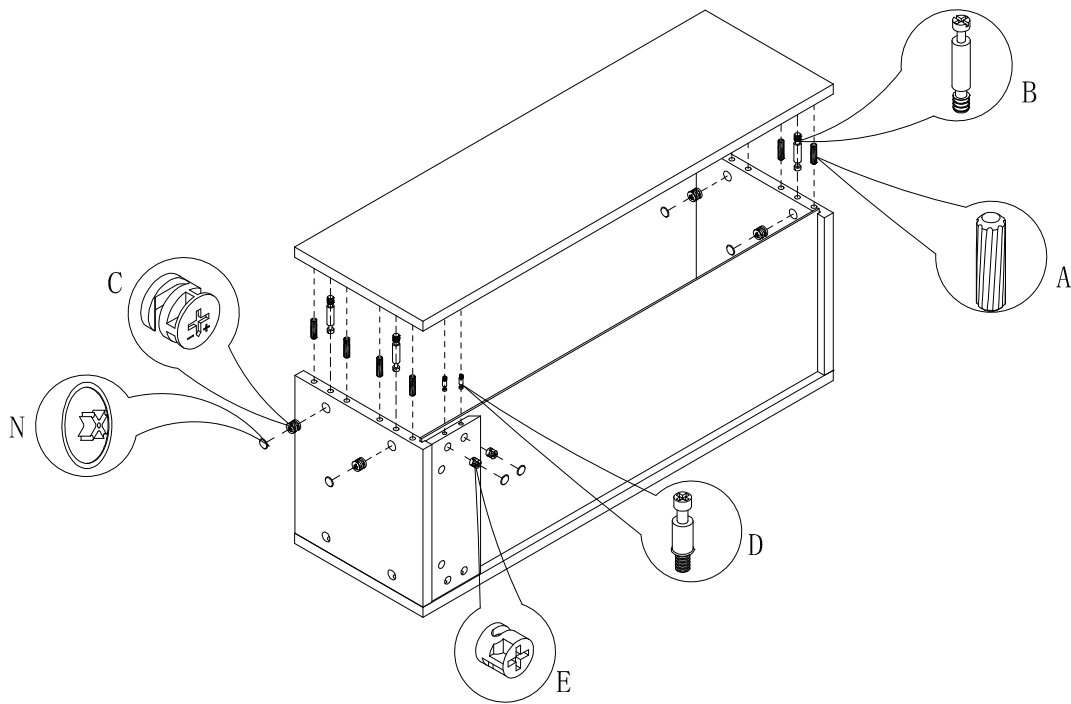
2



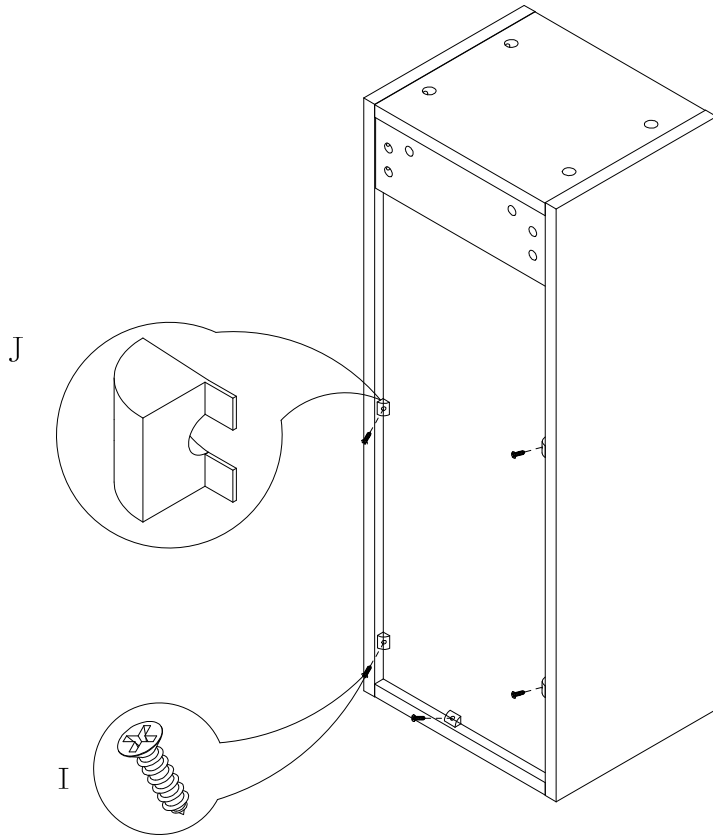


3

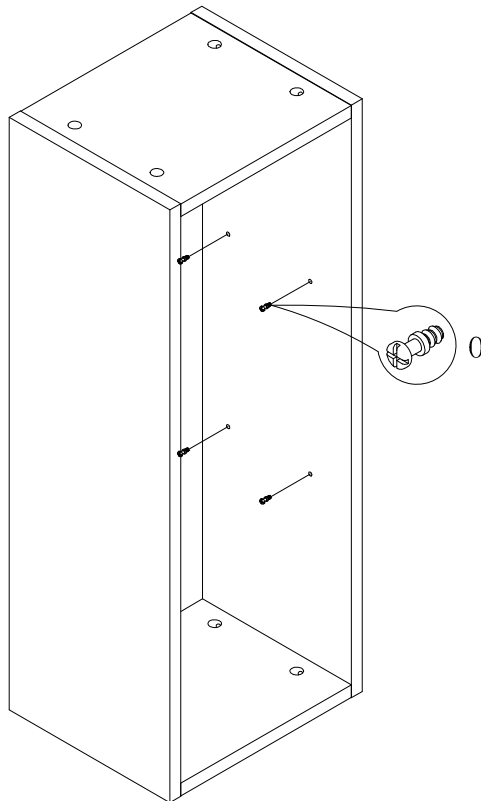
4

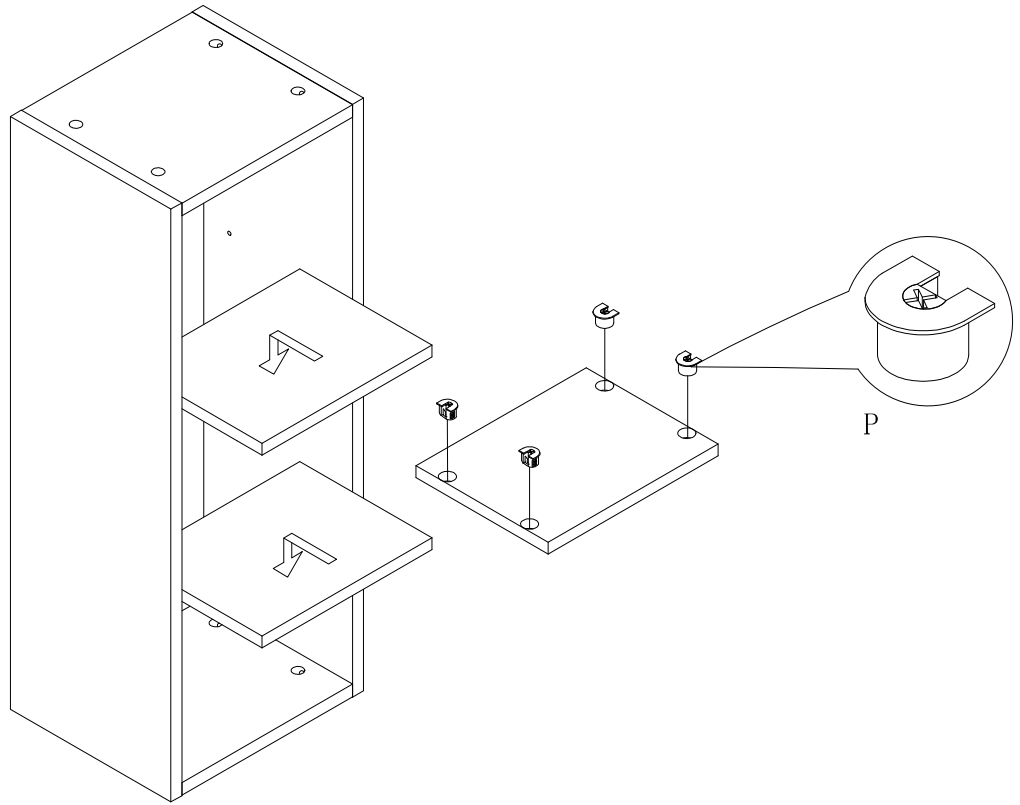


5

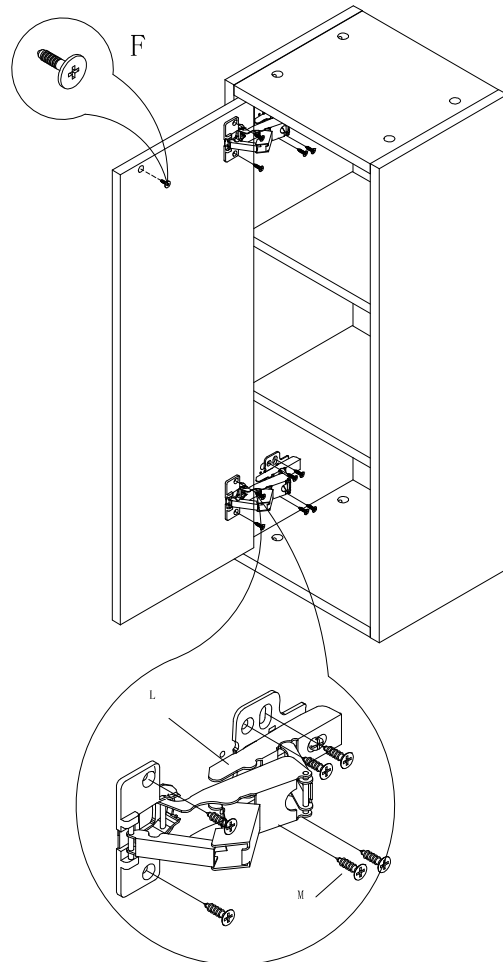


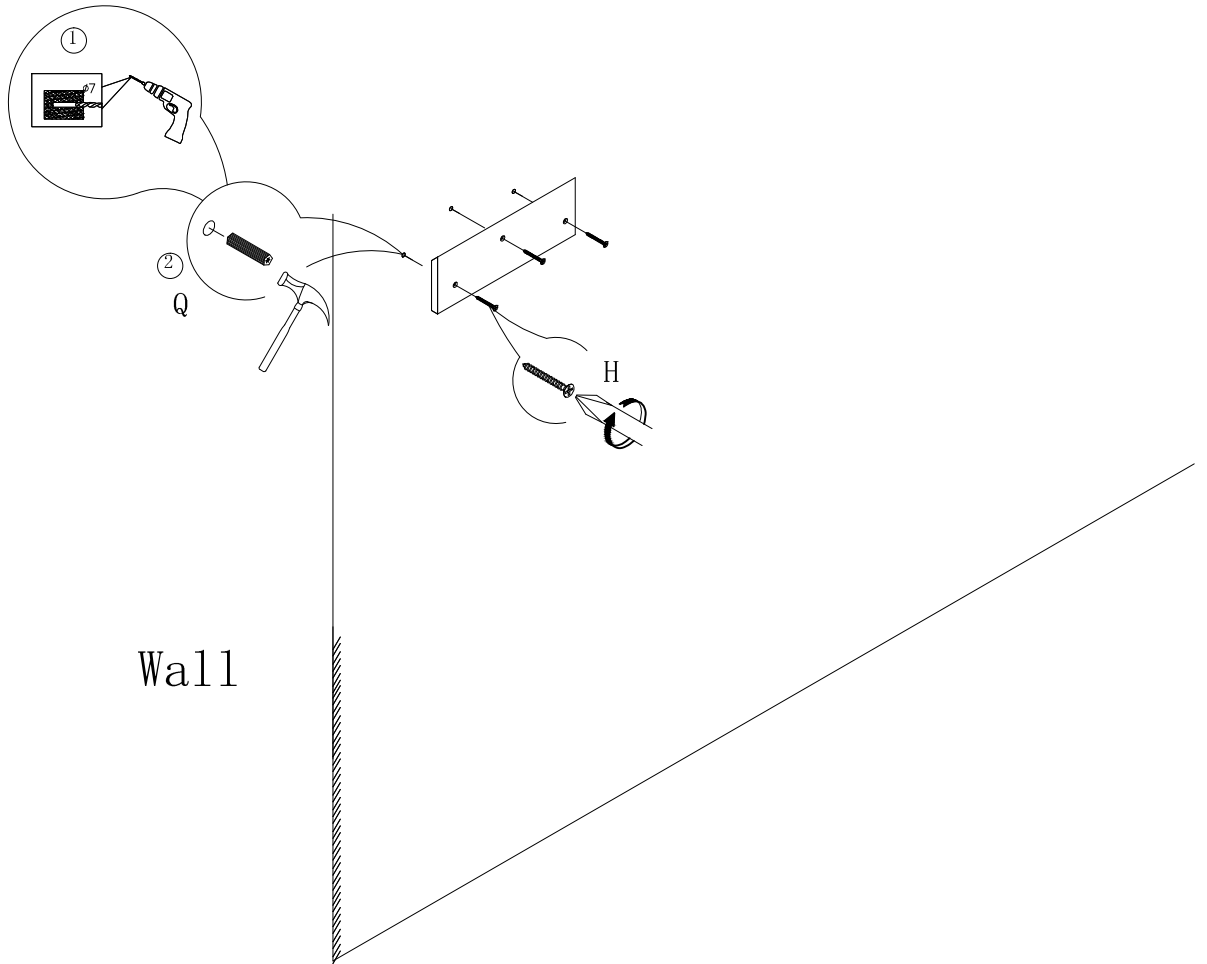
6



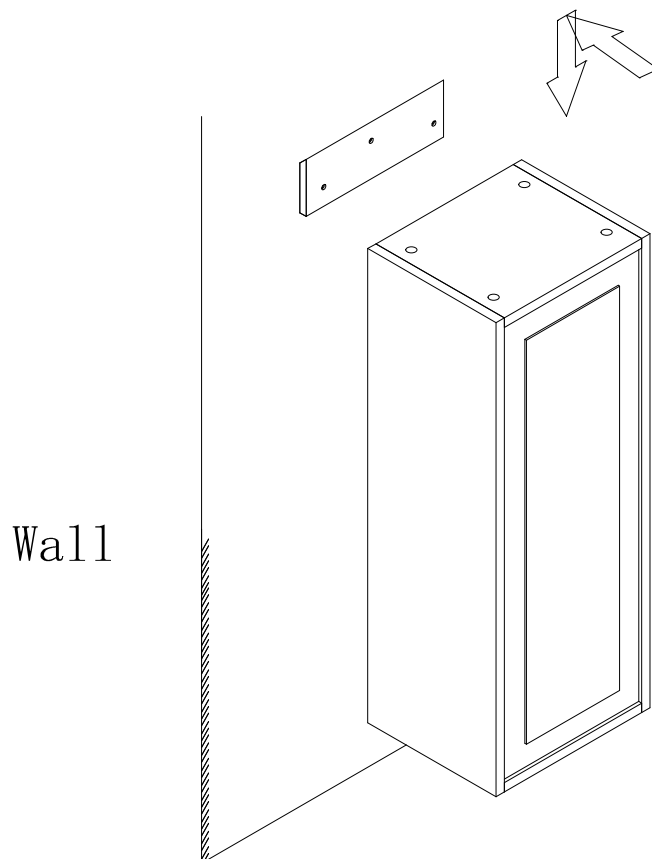


8

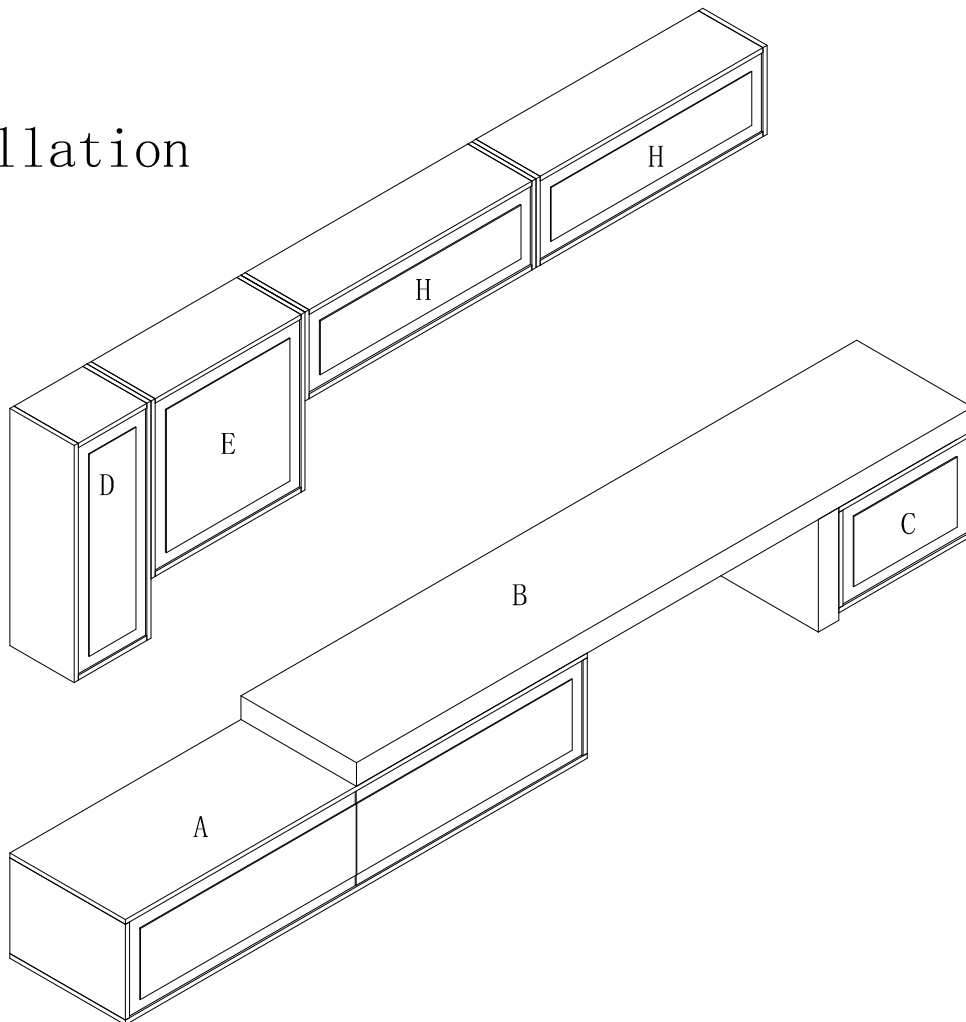




10

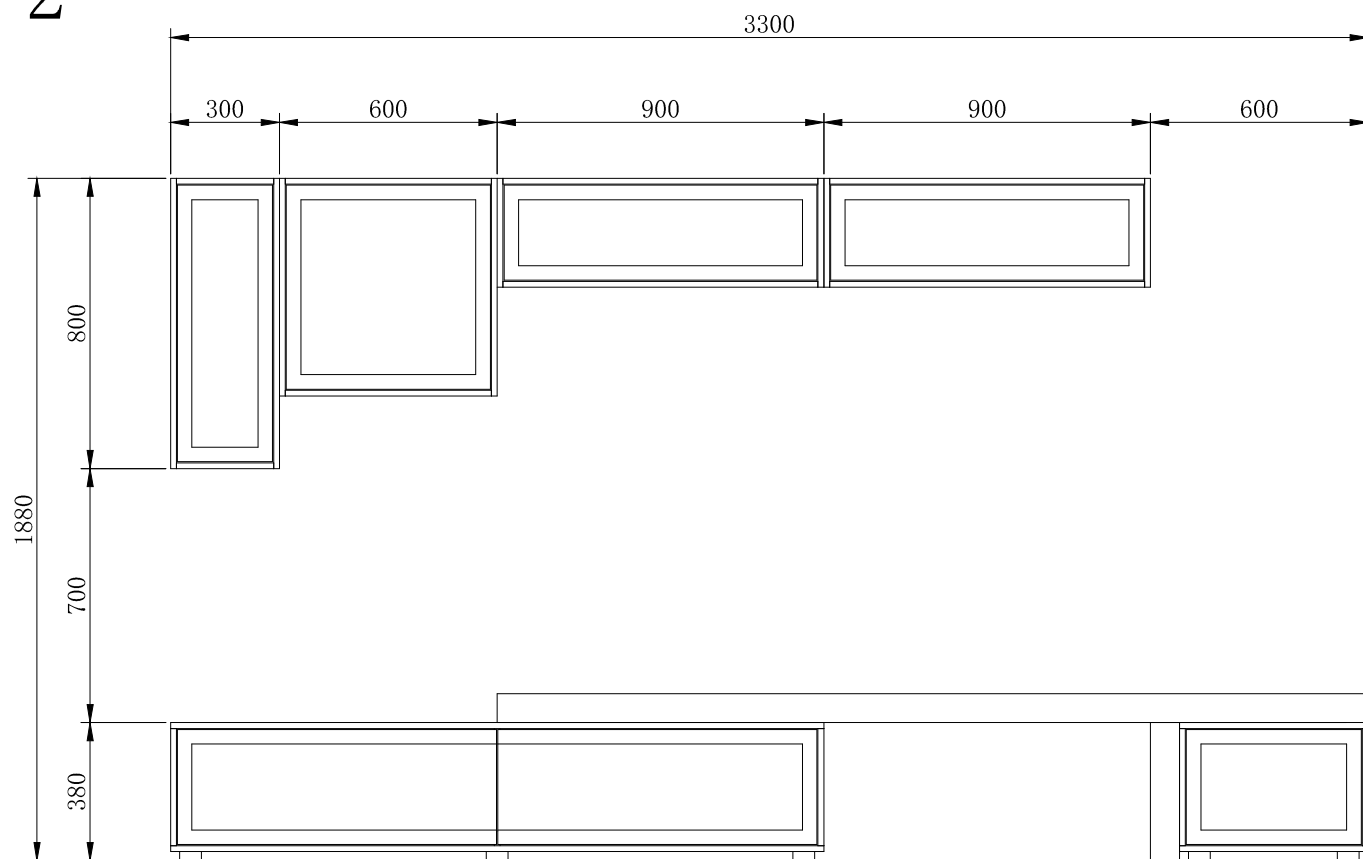


Installation



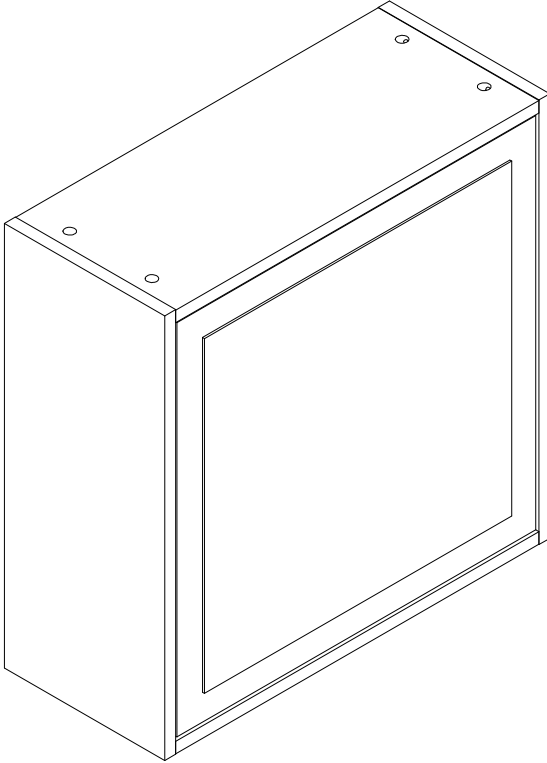
1

2



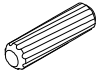
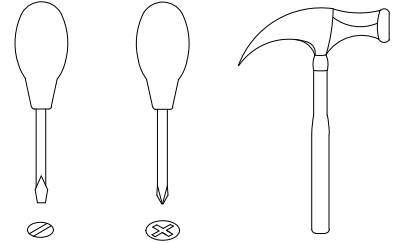
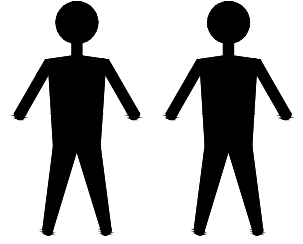
MOD
interiors

CP1709TV3-E

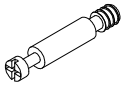


EAC

CP1709TV3-E



A x16
Spec: $\phi 8 \times 30$



B x8
Spec: $\phi 7 \times L30$



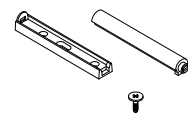
C x8
Spec: $\phi 15 \times H12$



D x7
Spec: $\phi 6 \times L28$



E x7
Spec: $\phi 12 \times H9$



F x1
Spec:



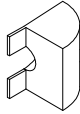
G x2
Spec: $\phi 3.5 \times L11$



H x5
Spec: $\phi 3.8 \times L38$



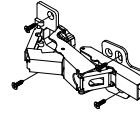
I x6
Spec: $\phi 3.5 \times L16$



J x6
Spec: H13



K x2
Spec: $\phi 6 \times 30$



L x3
Spec: 089#



M x6
Spec: $3.8 \times L16$



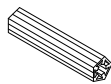
N x15
Spec:



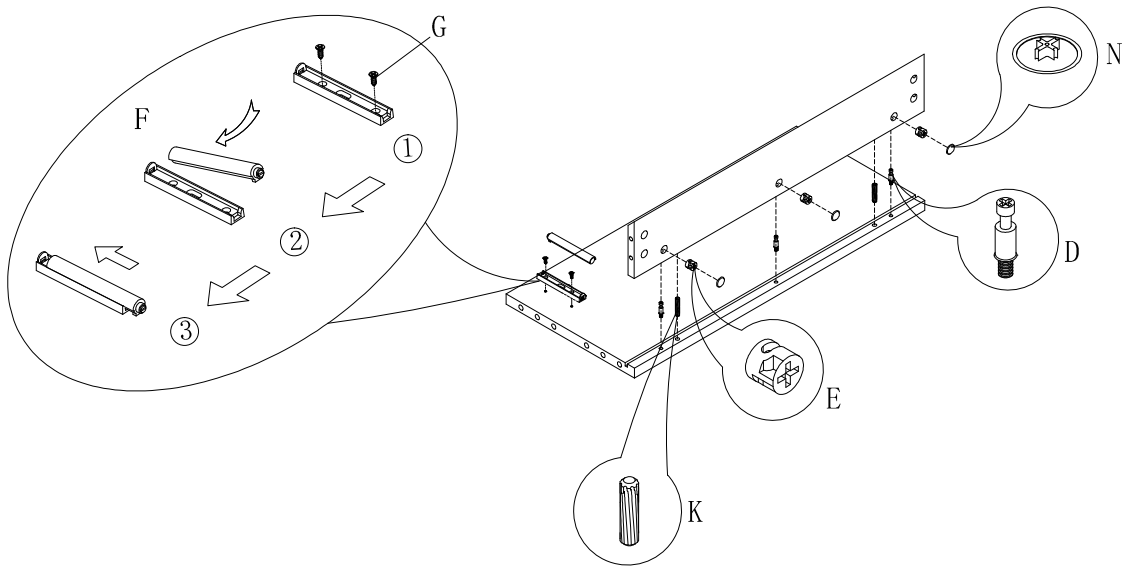
O x4
Spec: $\phi 5 \times L19$



P x4
Spec: $\phi 20 \times H12$

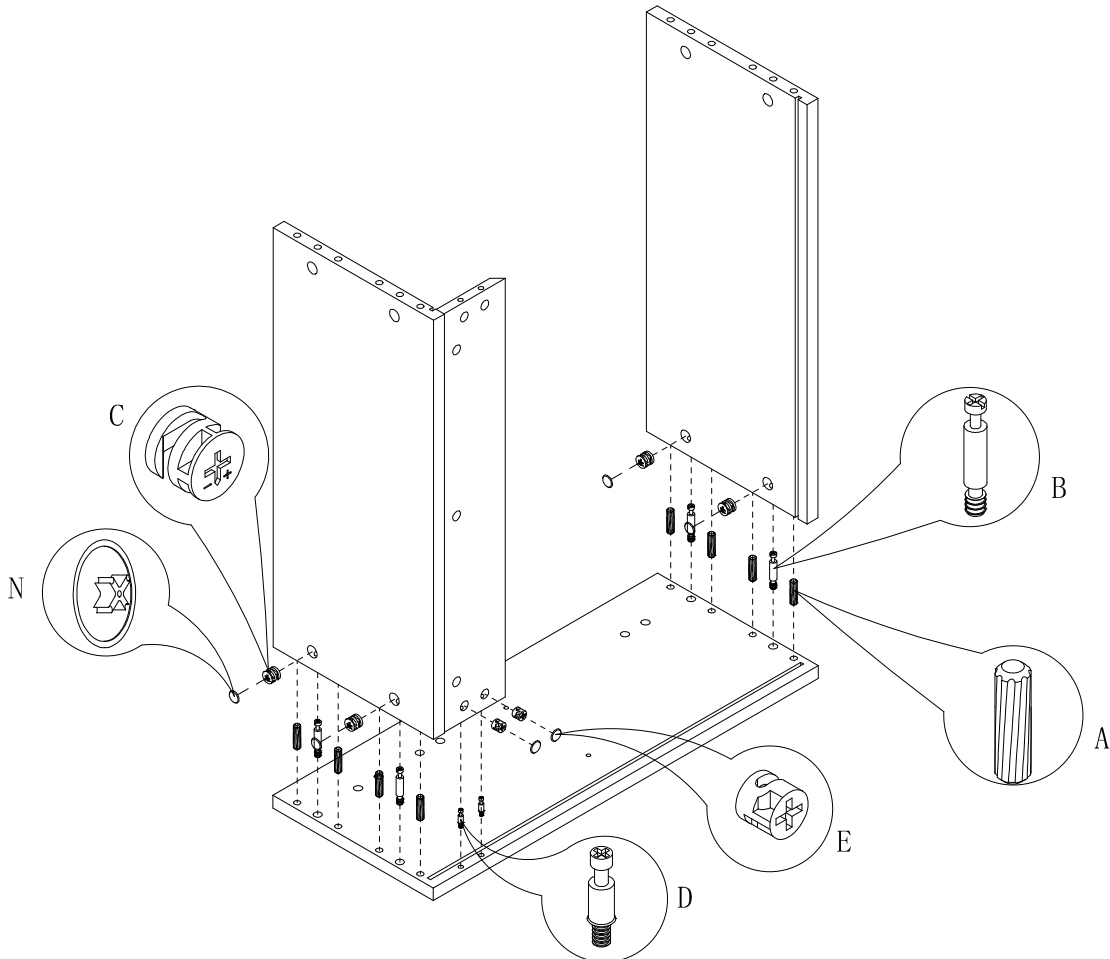


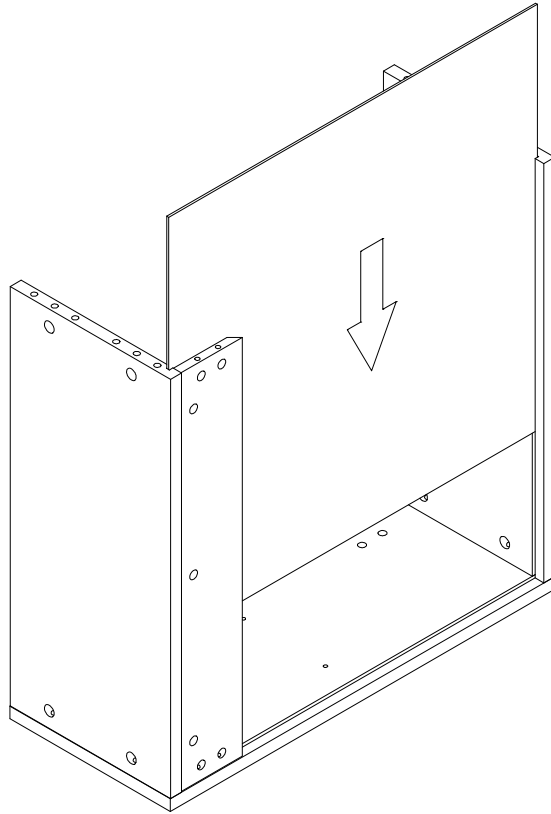
Q x5
Spec:



1

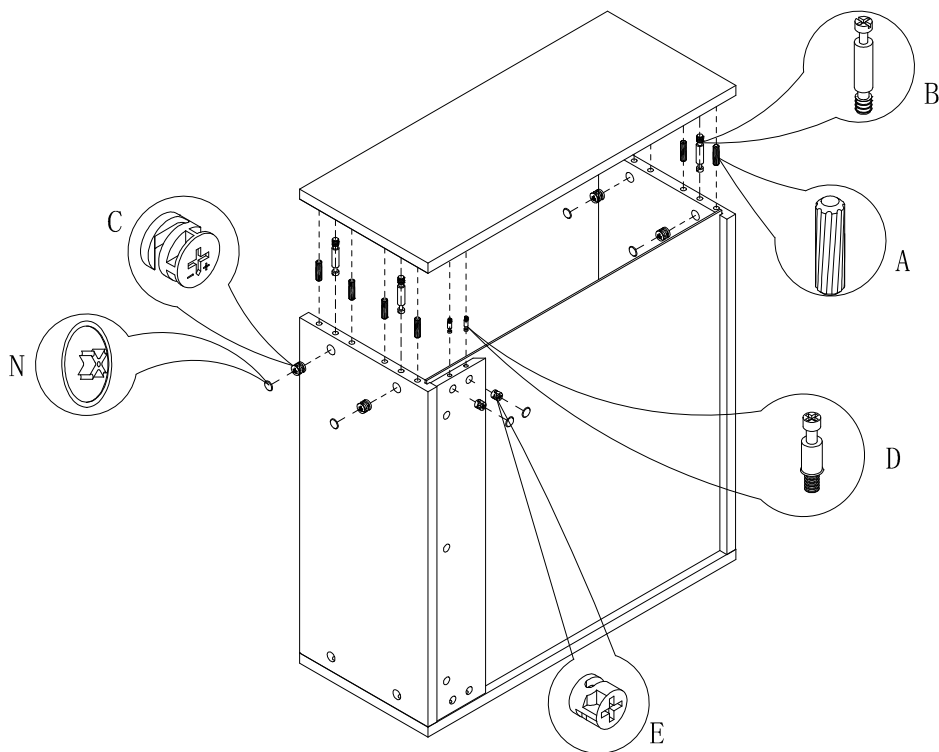
2

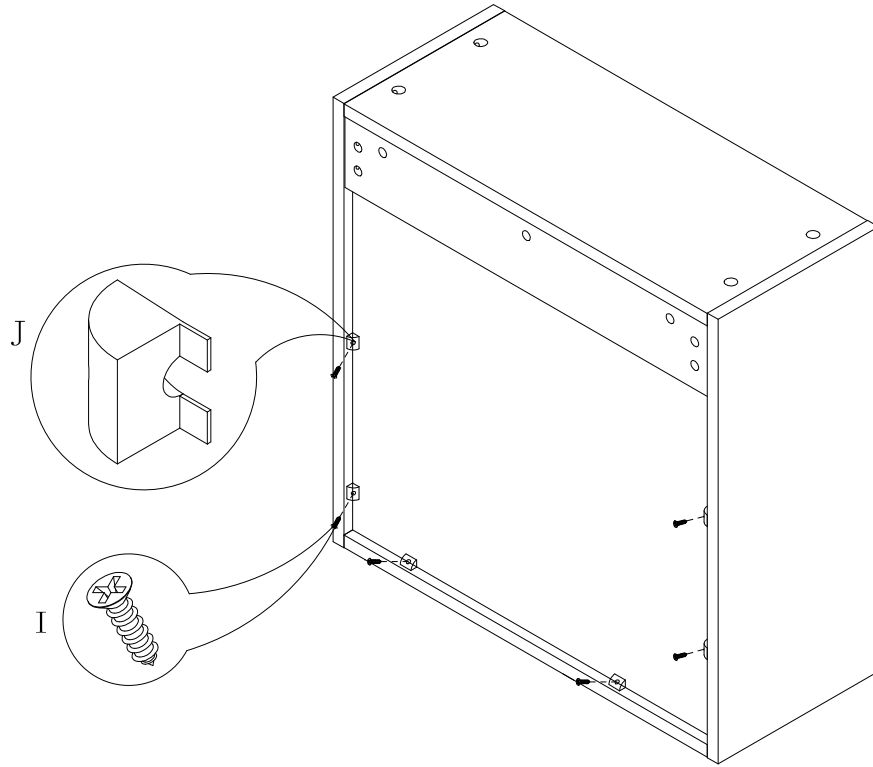




3

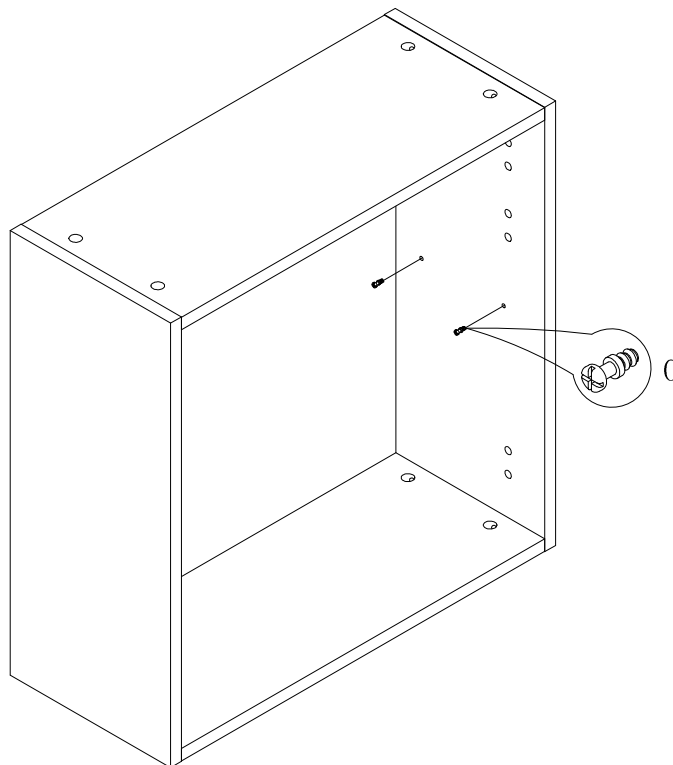
4

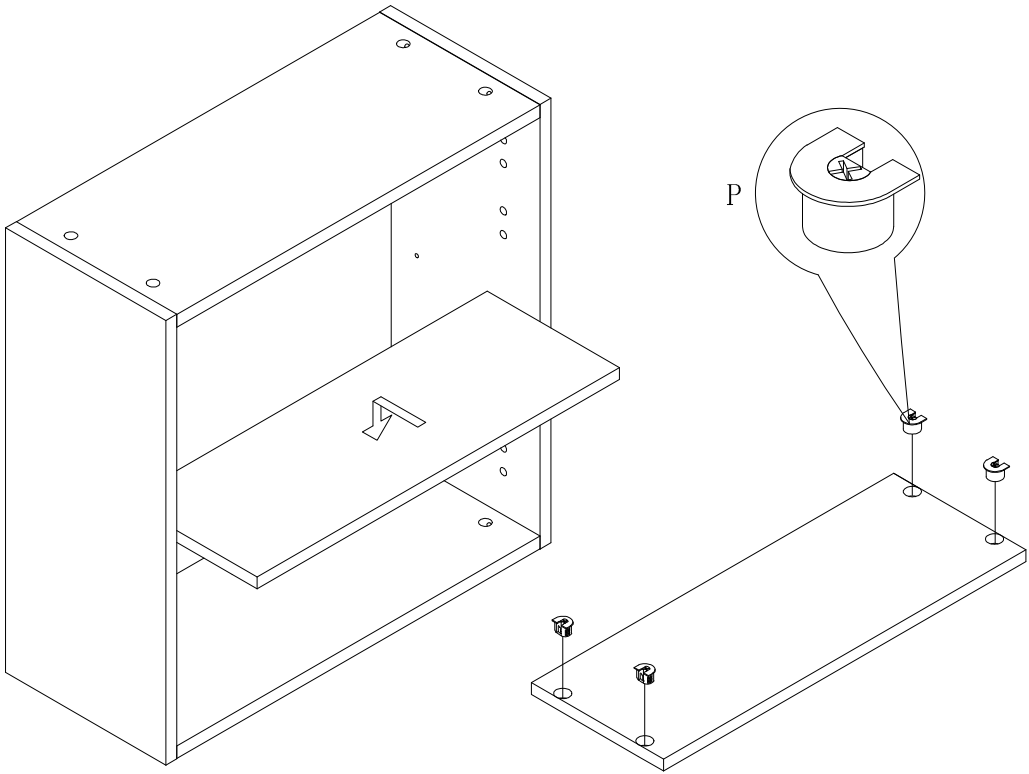




5

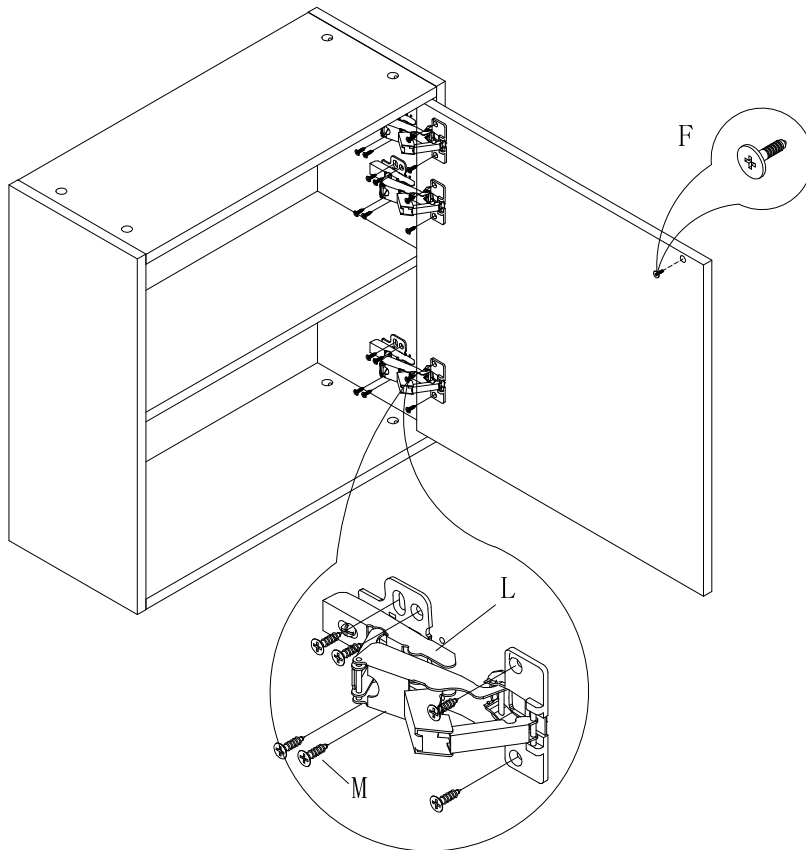
6

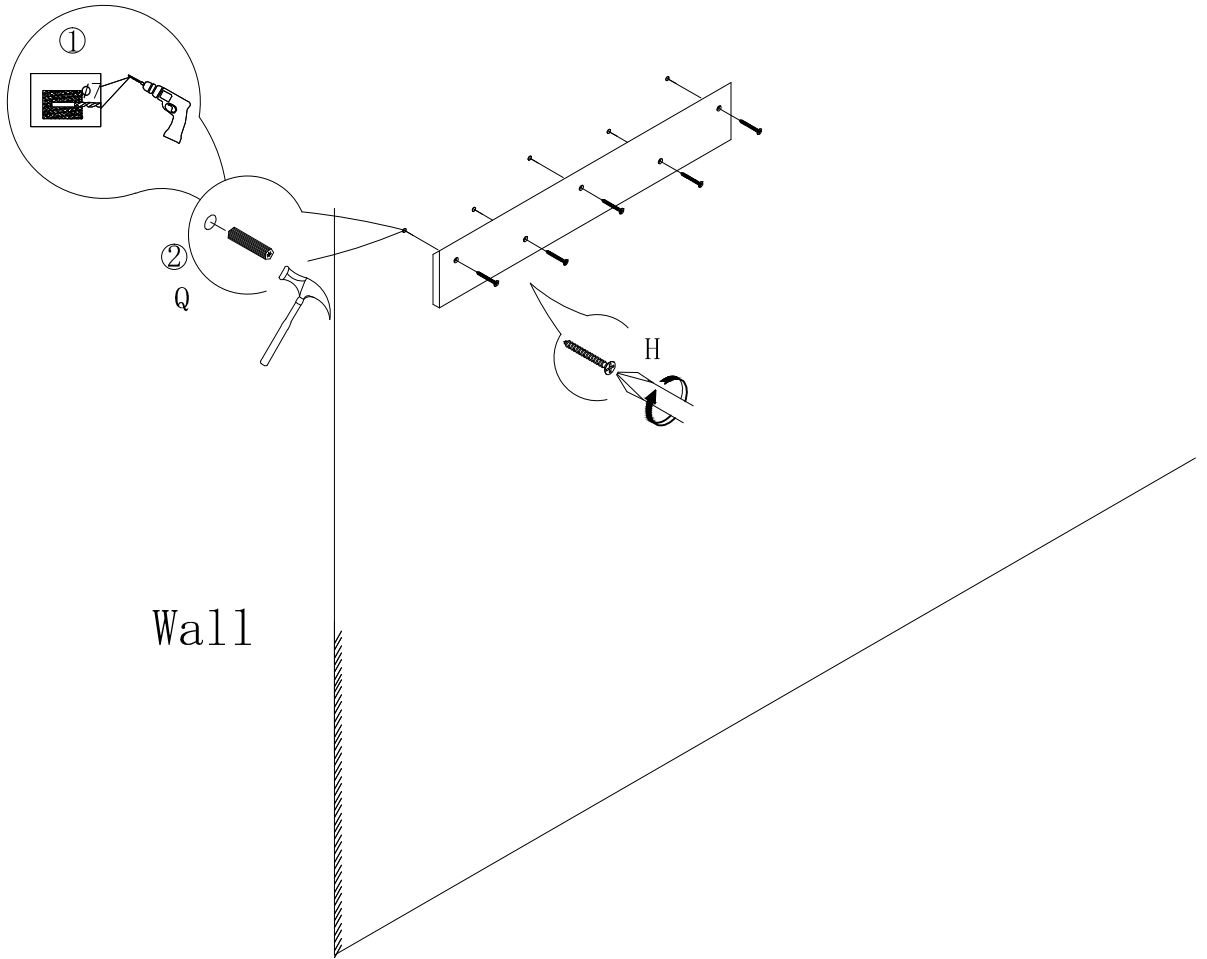




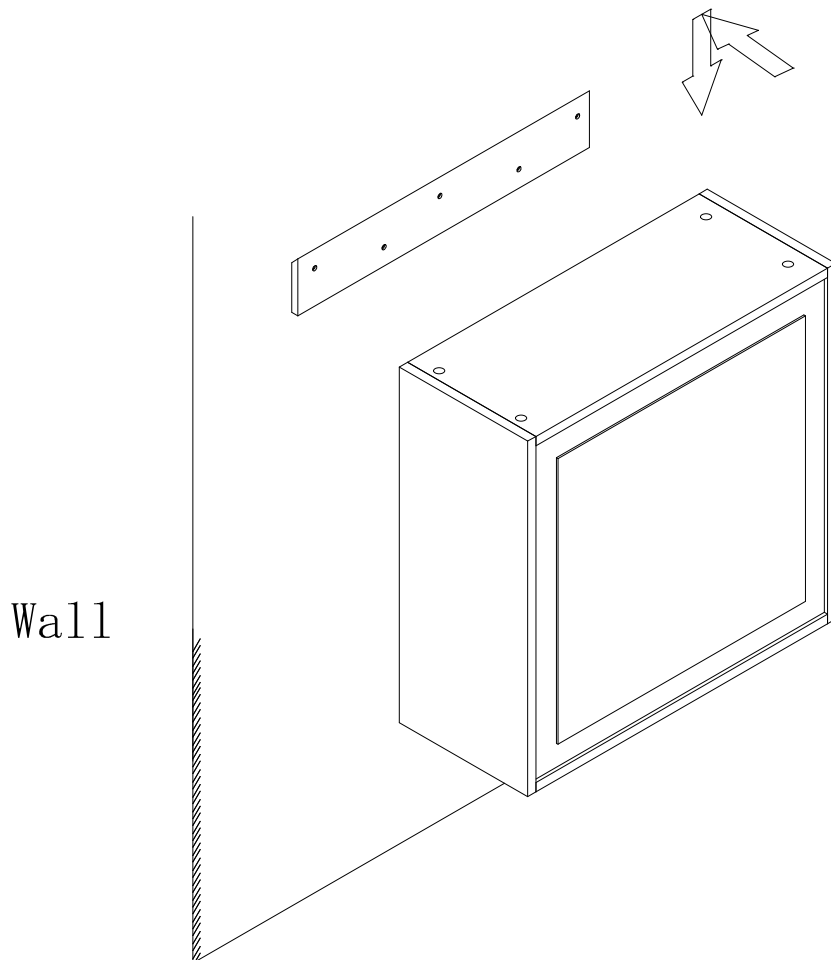
7

8

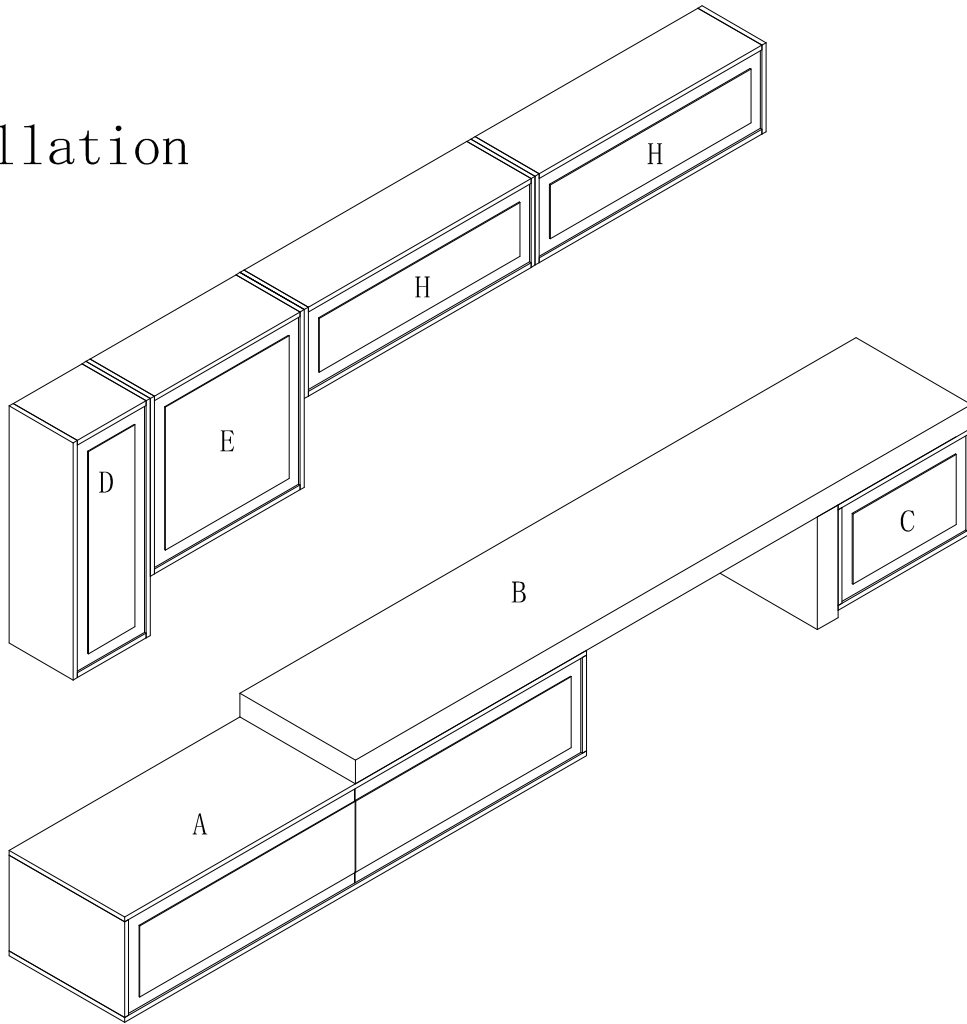




10

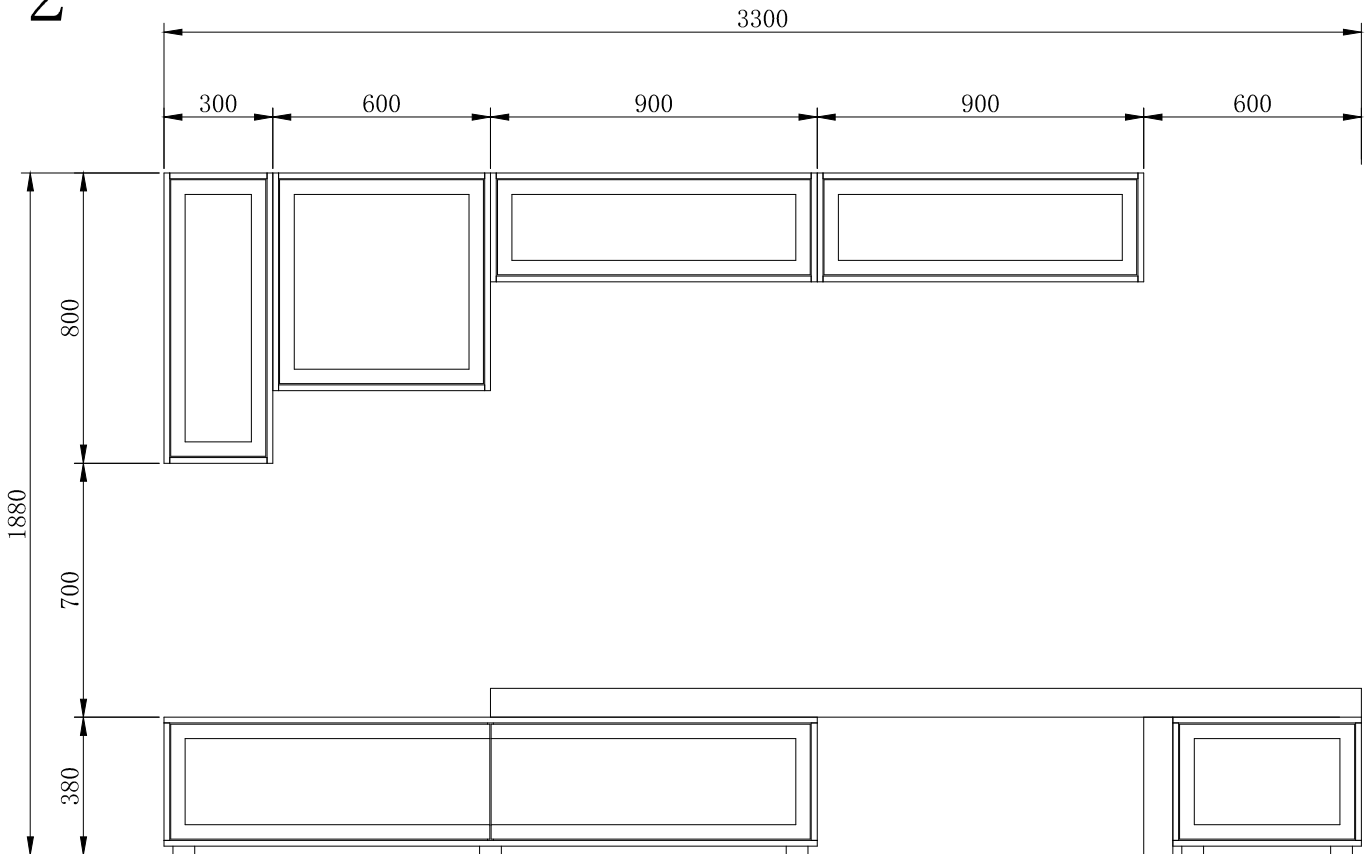


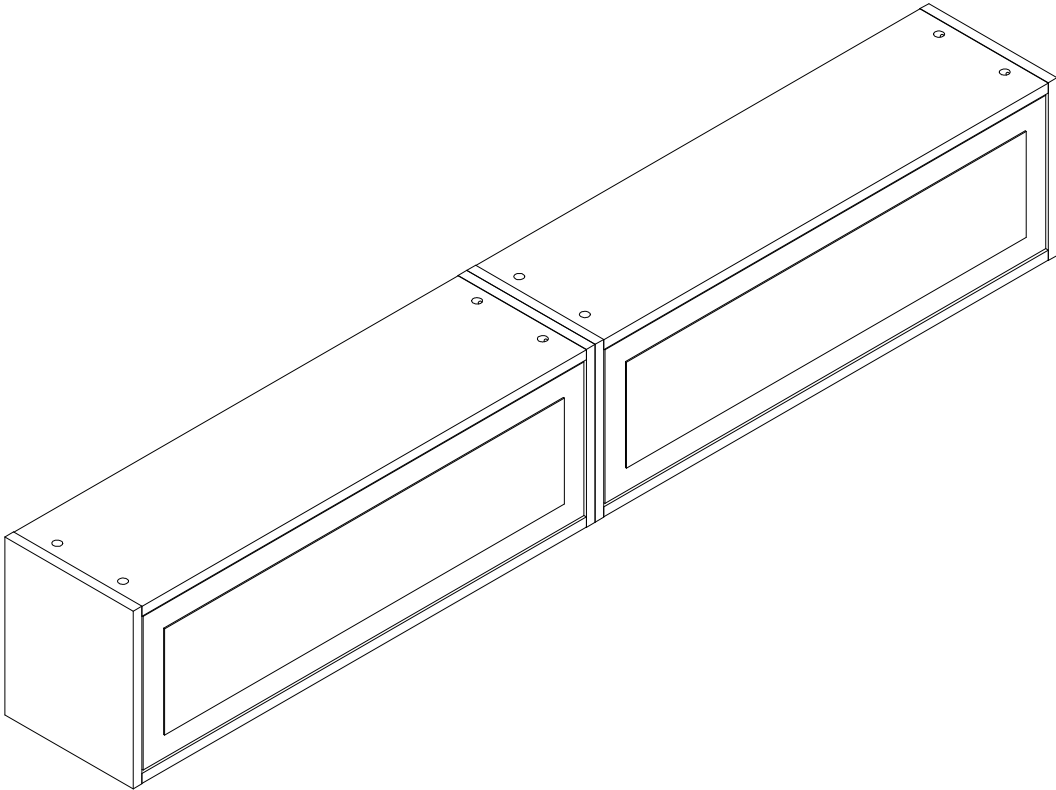
Installation



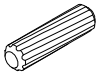
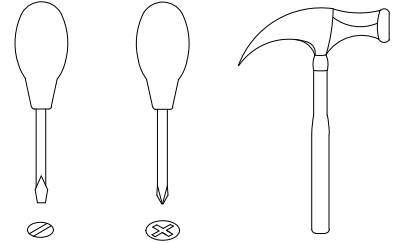
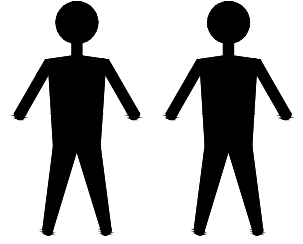
1

2

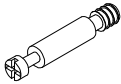




CP1709TV3 (H)



A x32
Spec: $\phi 8 \times 30$



B x16
Spec: $\phi 7 \times L30$



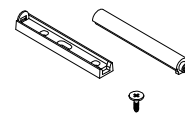
C x16
Spec: $\phi 15 \times H12$



D x16
Spec: $\phi 6 \times L28$



E x16
Spec: $\phi 12 \times H9$



F x2
Spec:



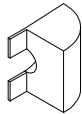
G x4
Spec: $\phi 3.5 \times L11$



H x10
Spec: $\phi 3.8 \times L38$



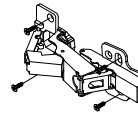
I x8
Spec: $\phi 3.5 \times L16$



J x8
Spec: H13



K x8
Spec: $\phi 6 \times 30$



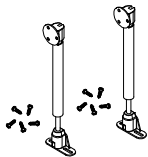
L x4
Spec: 089#



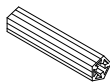
M x8
Spec: $3.8 \times L16$



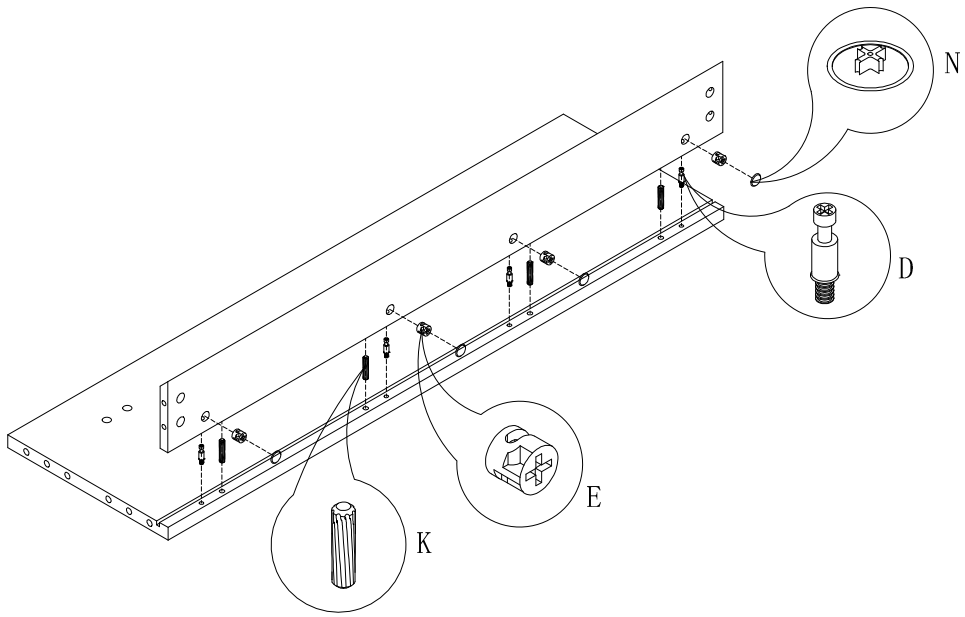
N x32
Spec:



O x1
Spec:

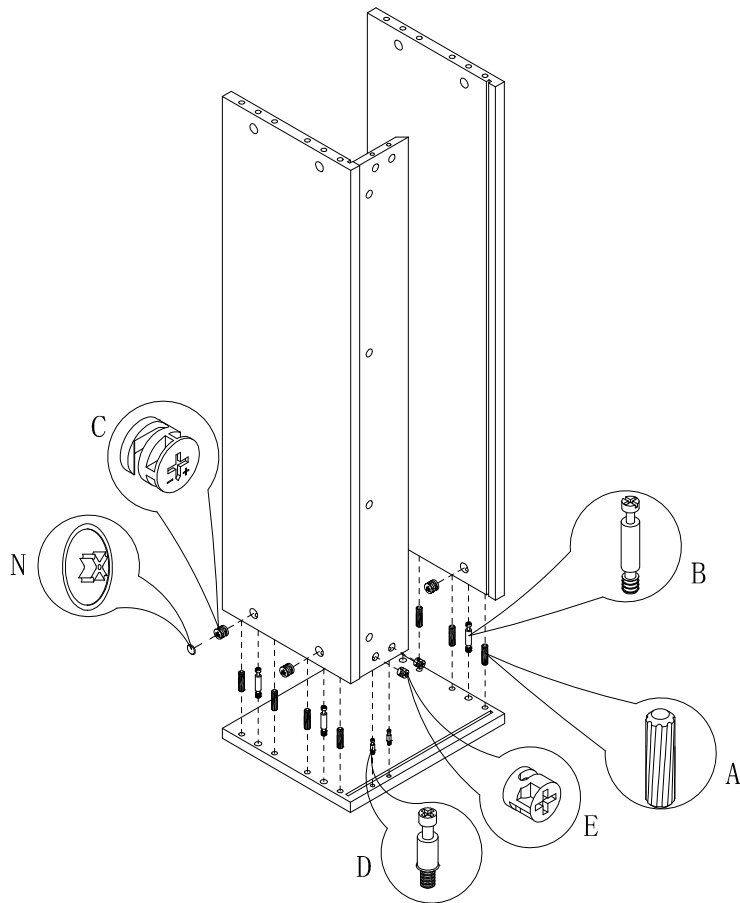


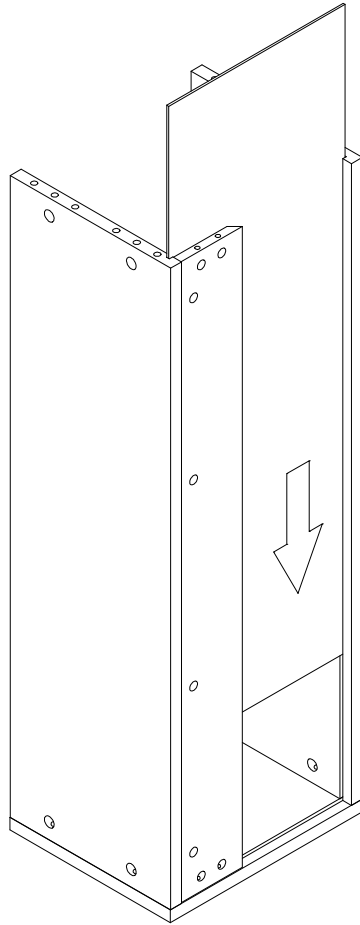
Q x10
Spec:



1

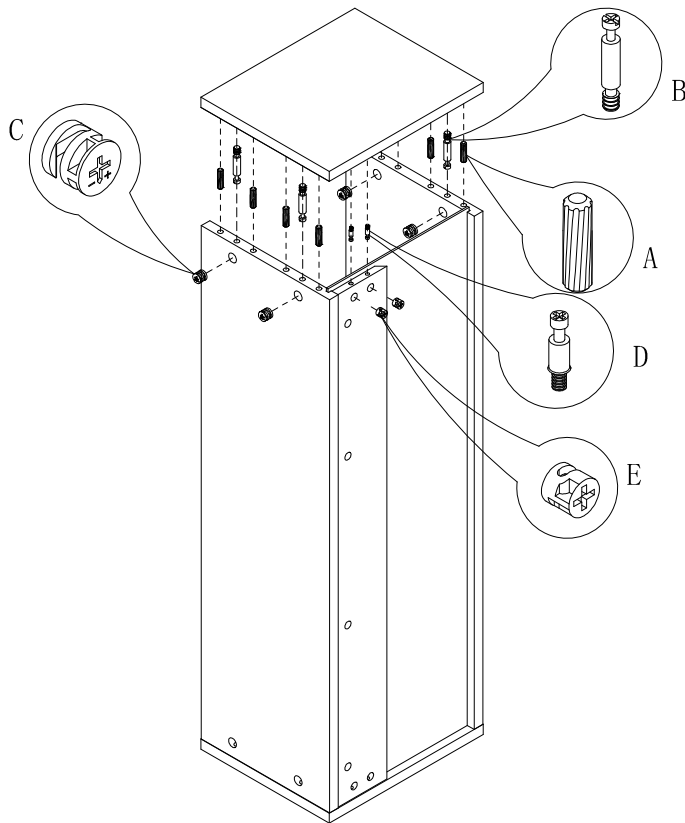
2

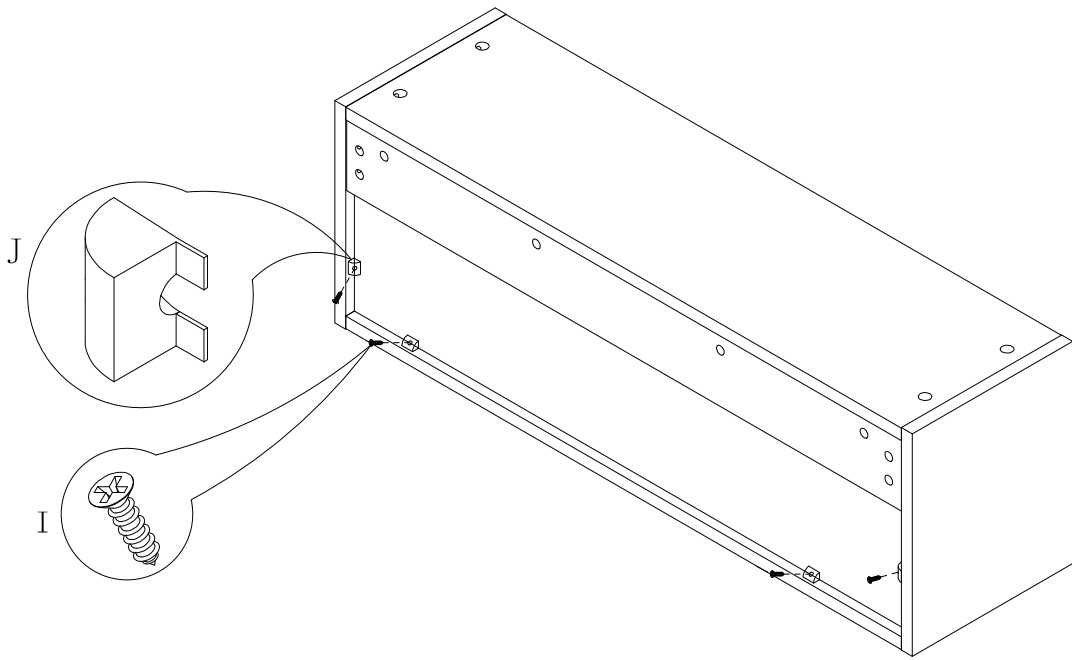




3

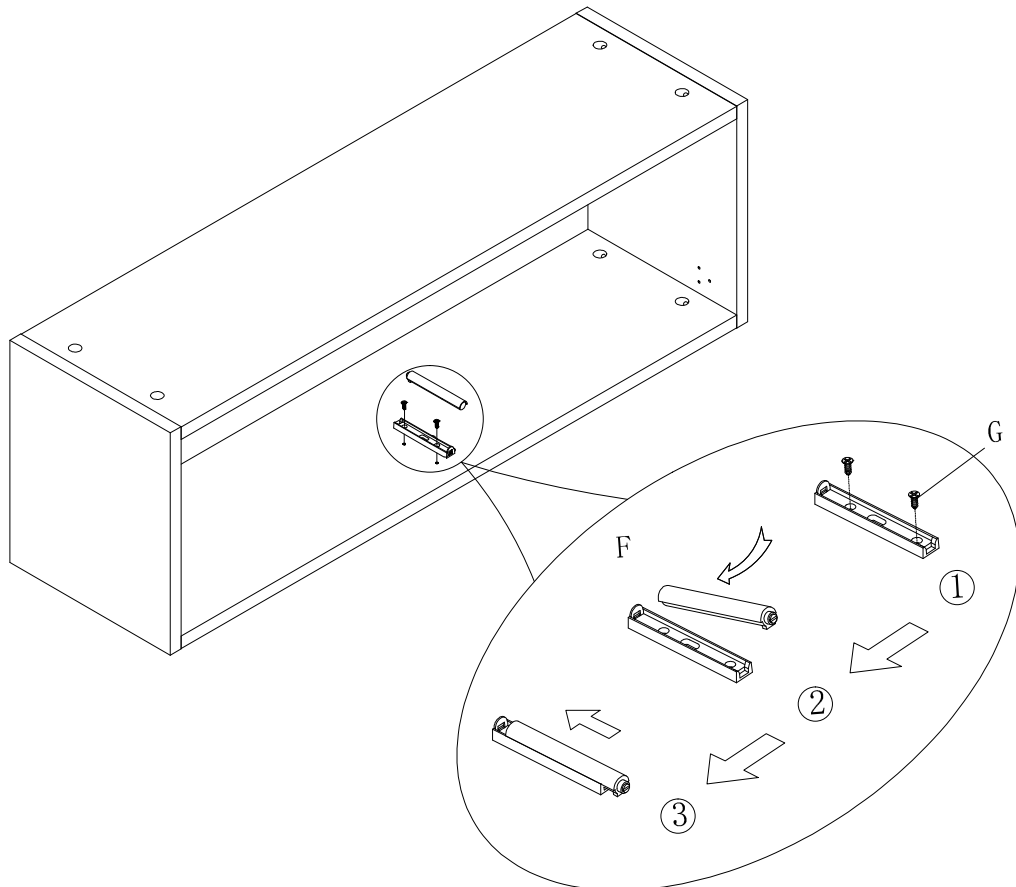
4

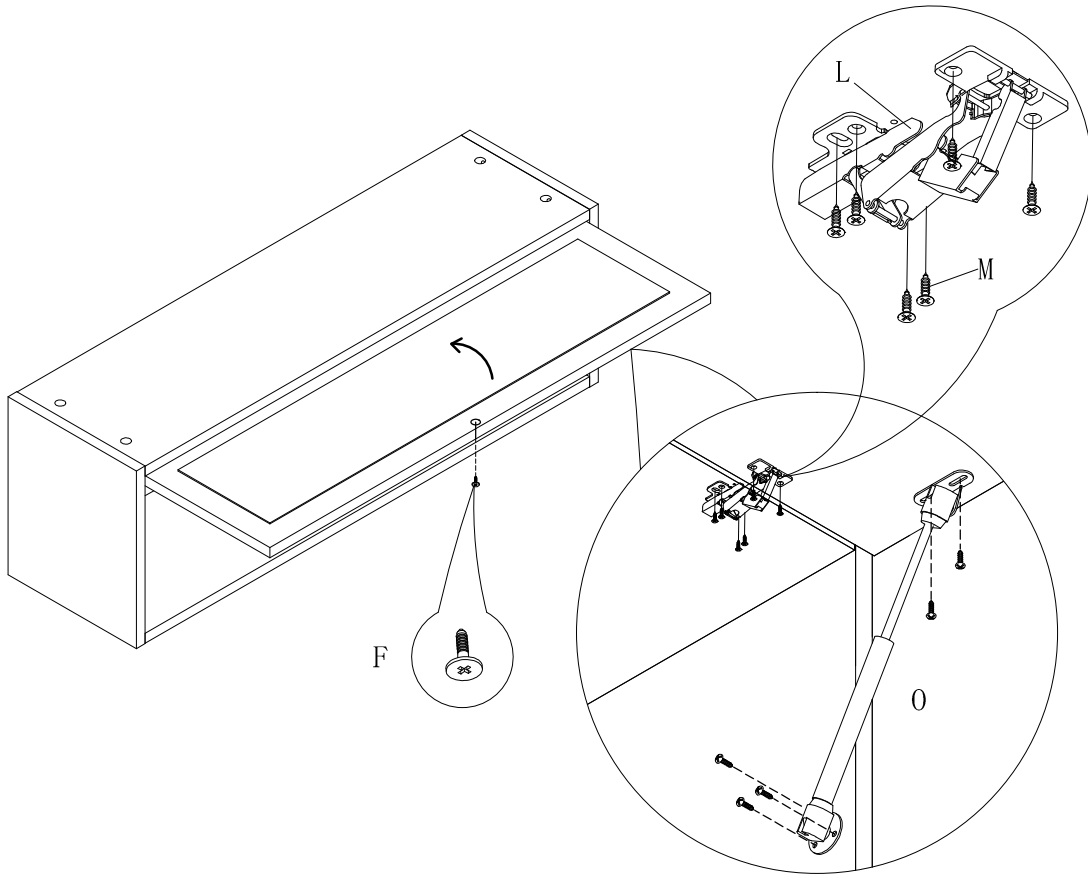




5

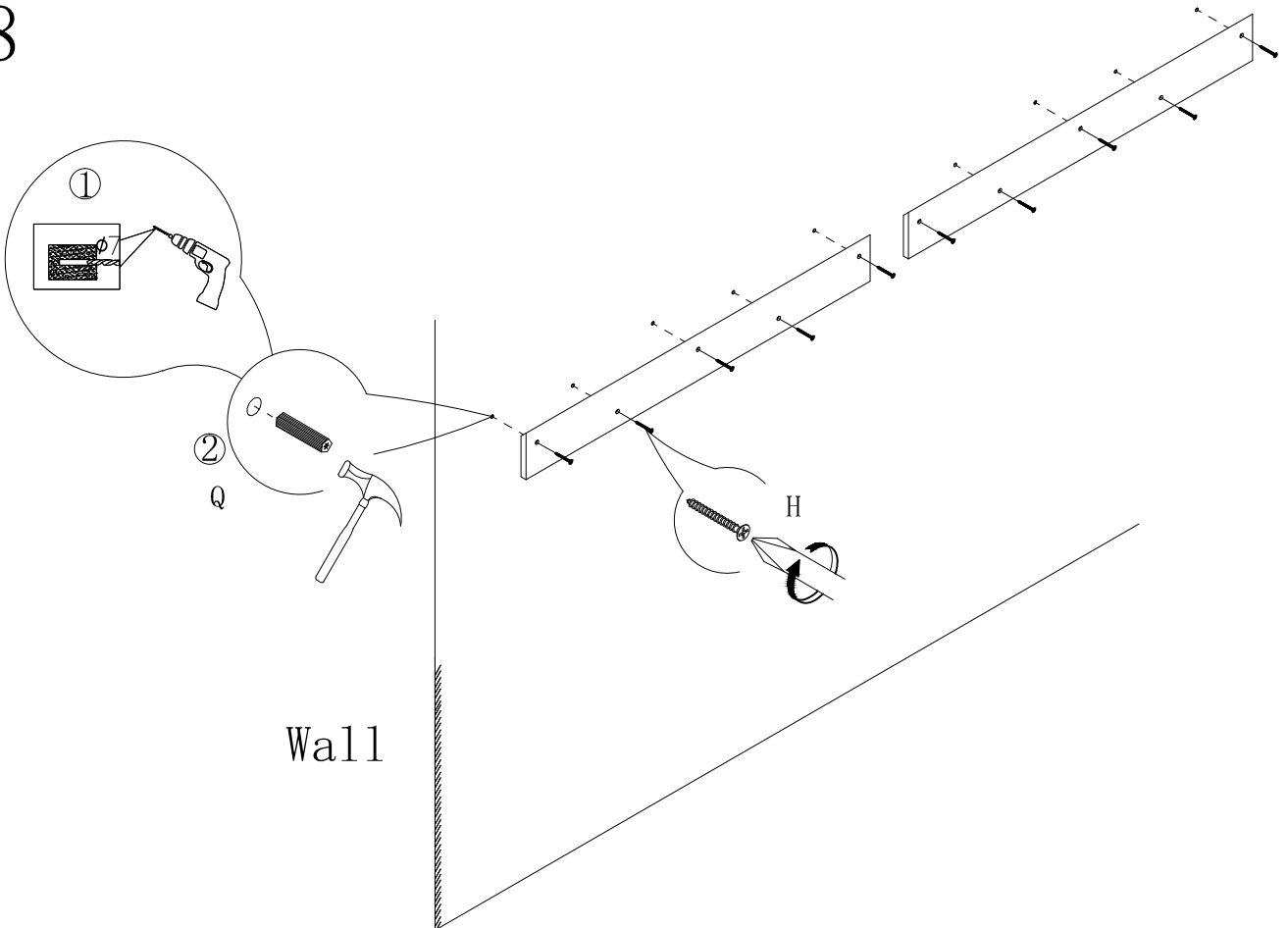
6

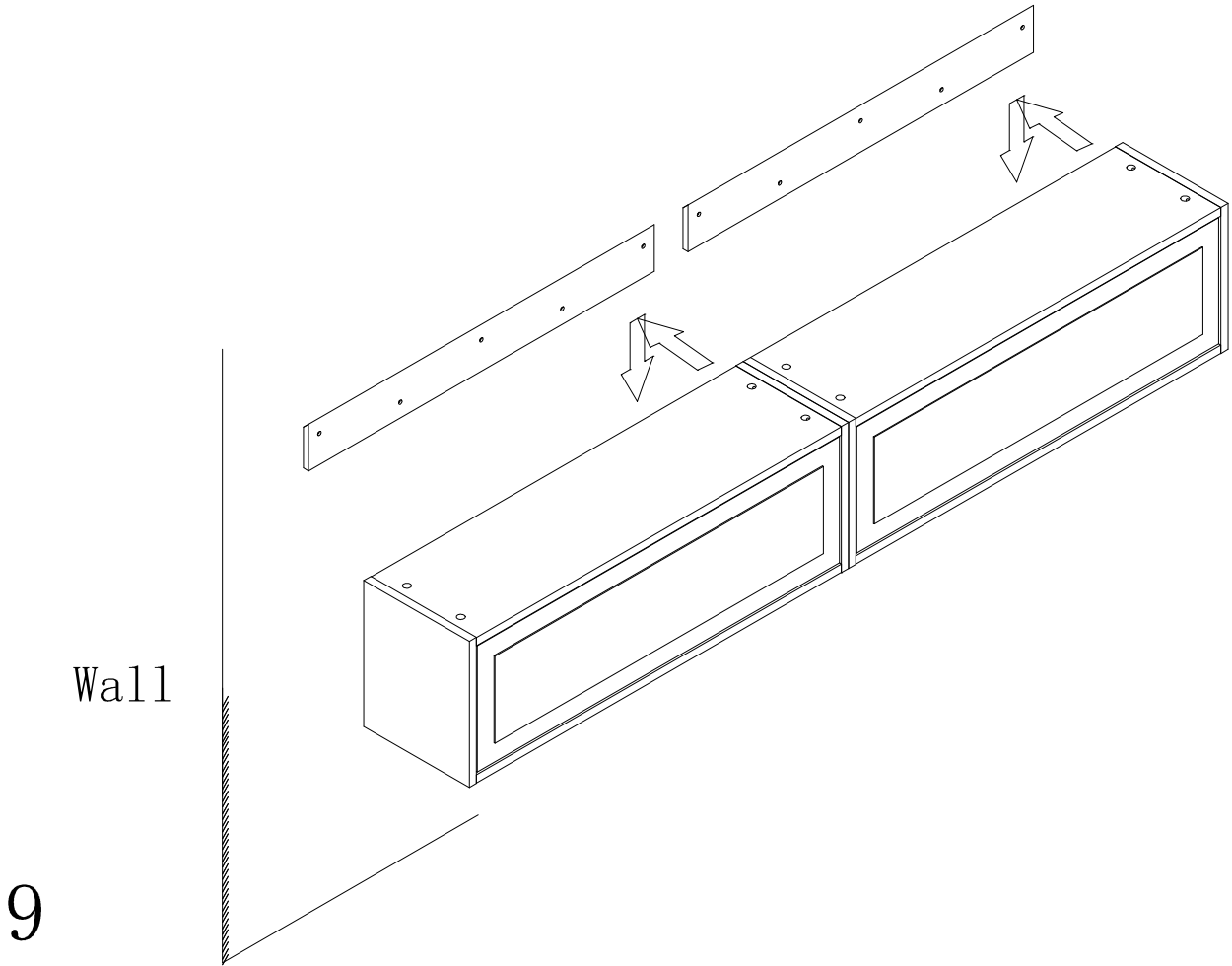




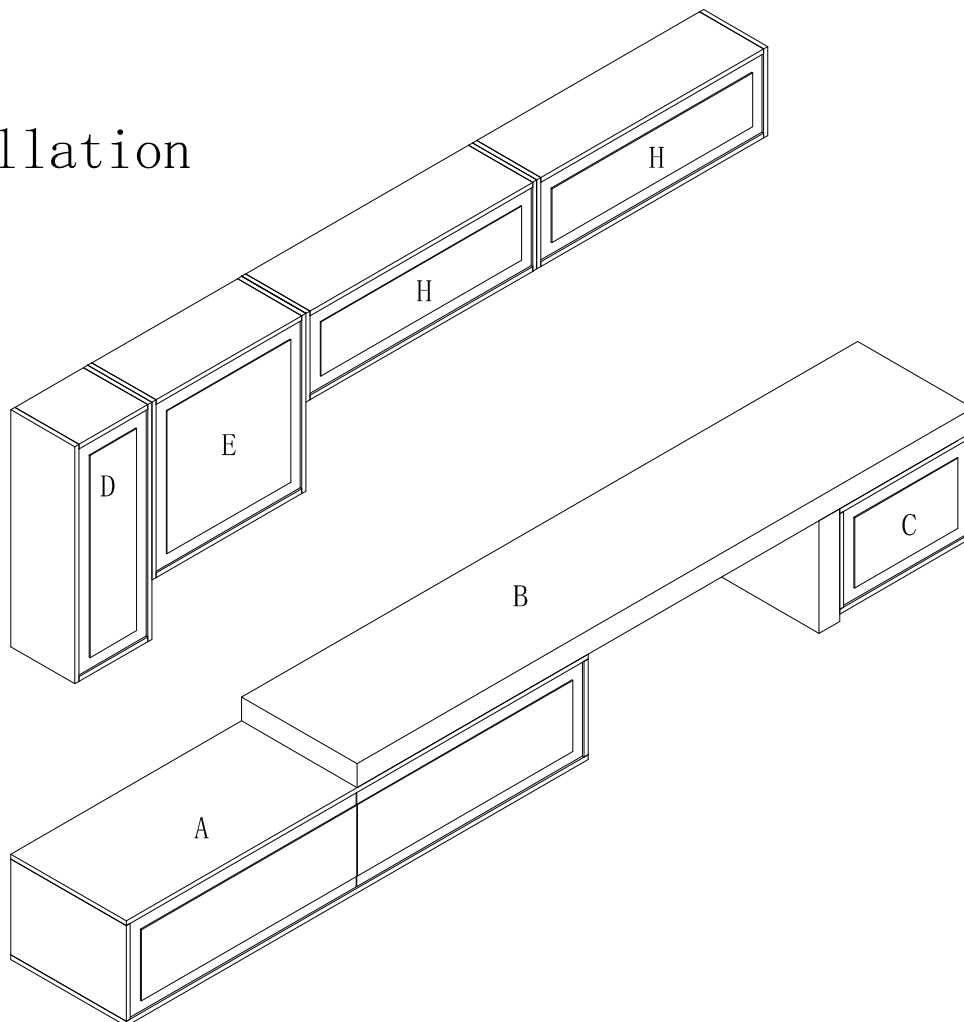
7

8





Installation



1

2

