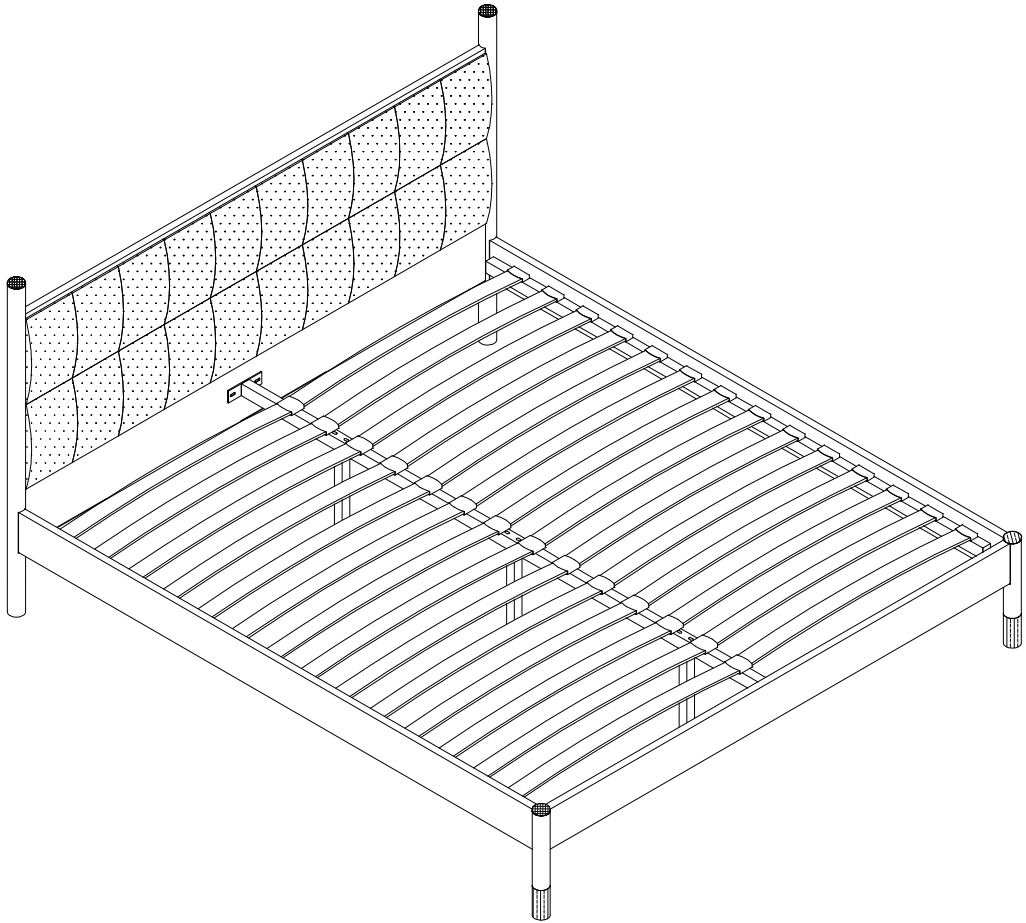
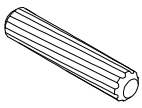
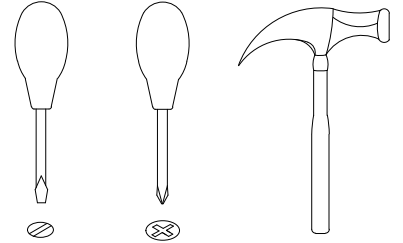
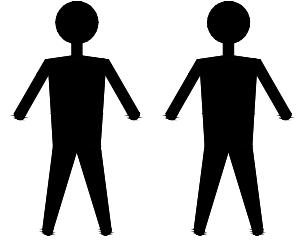


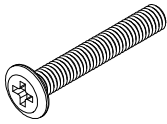
CP1710B



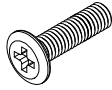
CP1710B



A x4
Spec: $\varnothing 10 \times 40$



B x8
Spec: M6*45



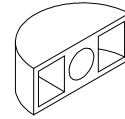
C x4
Spec: M6*20



D x8
Spec: M8*L95



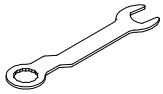
E x8
Spec: $\varnothing 38$



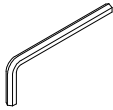
F x8
Spec:



G x8
Spec: M8



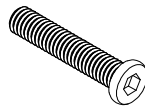
H x1
Spec: 14#



I x1
Spec: 5#



J x18
Spec: $\varnothing 8 \times \varnothing 18$



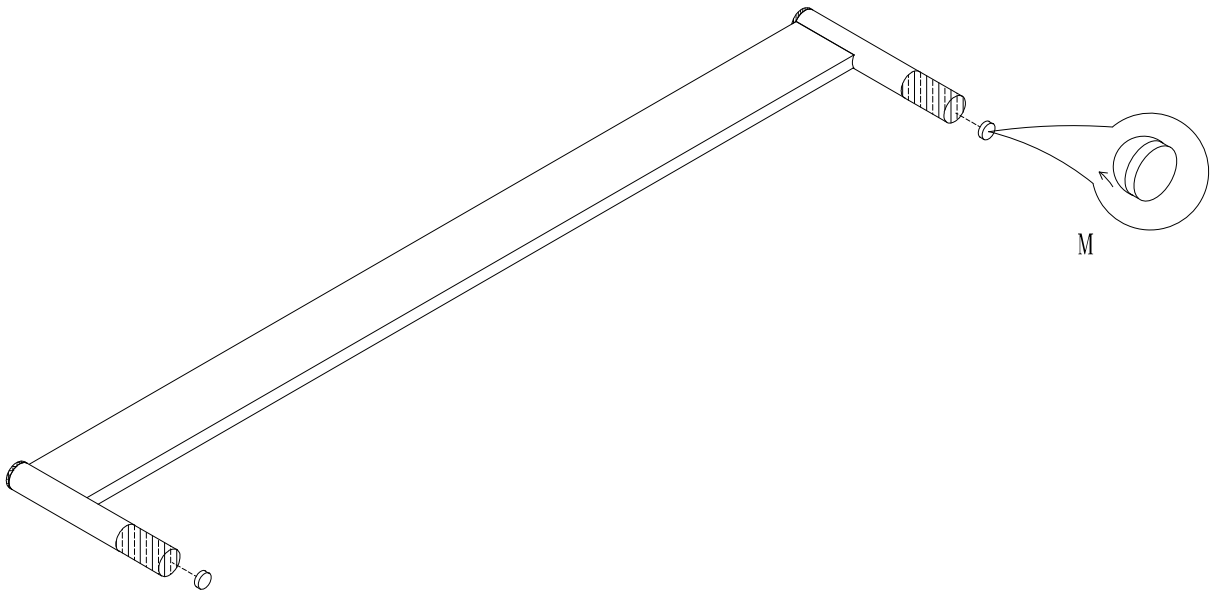
K x6
Spec: 5/16*L60



L x3
Spec: L260

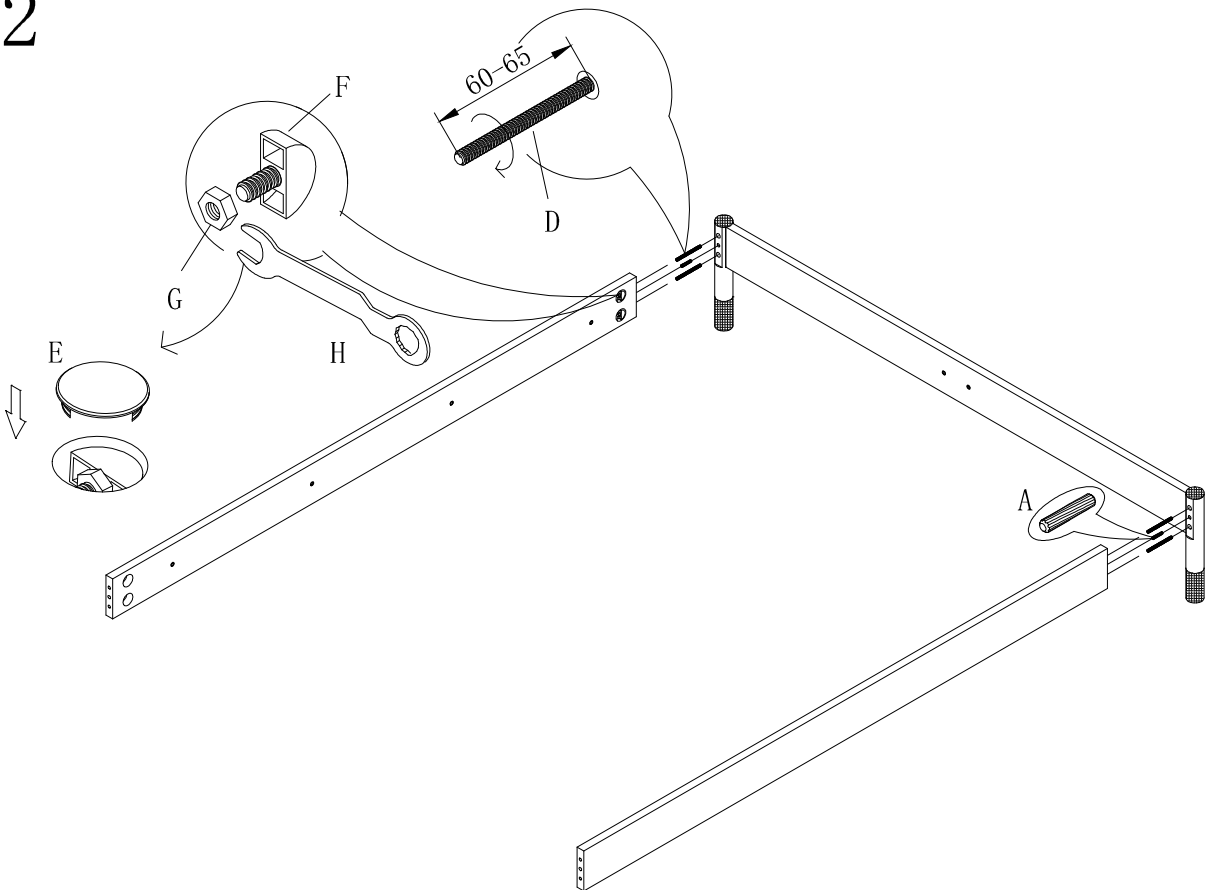


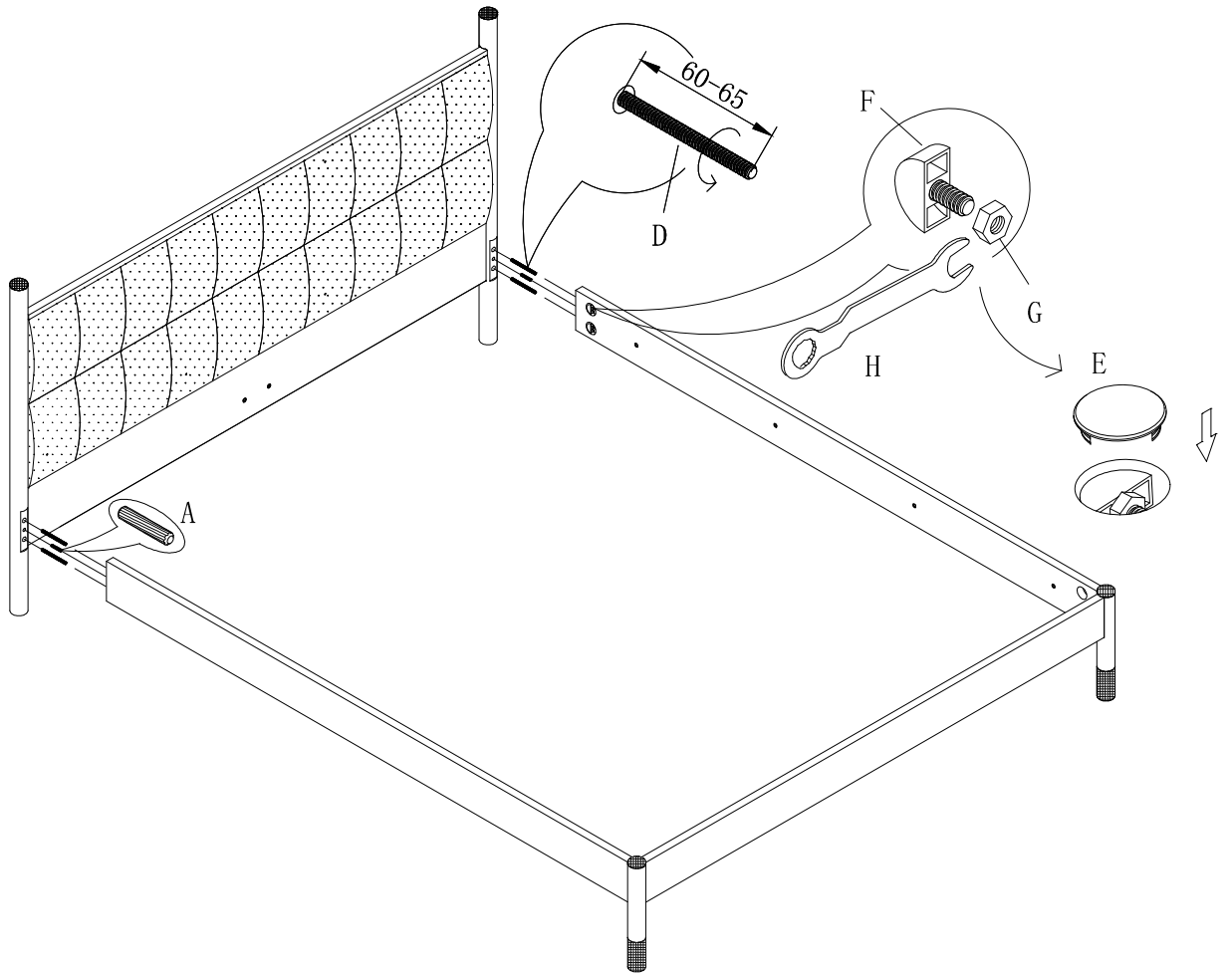
M x2
Spec: $\varnothing 25$



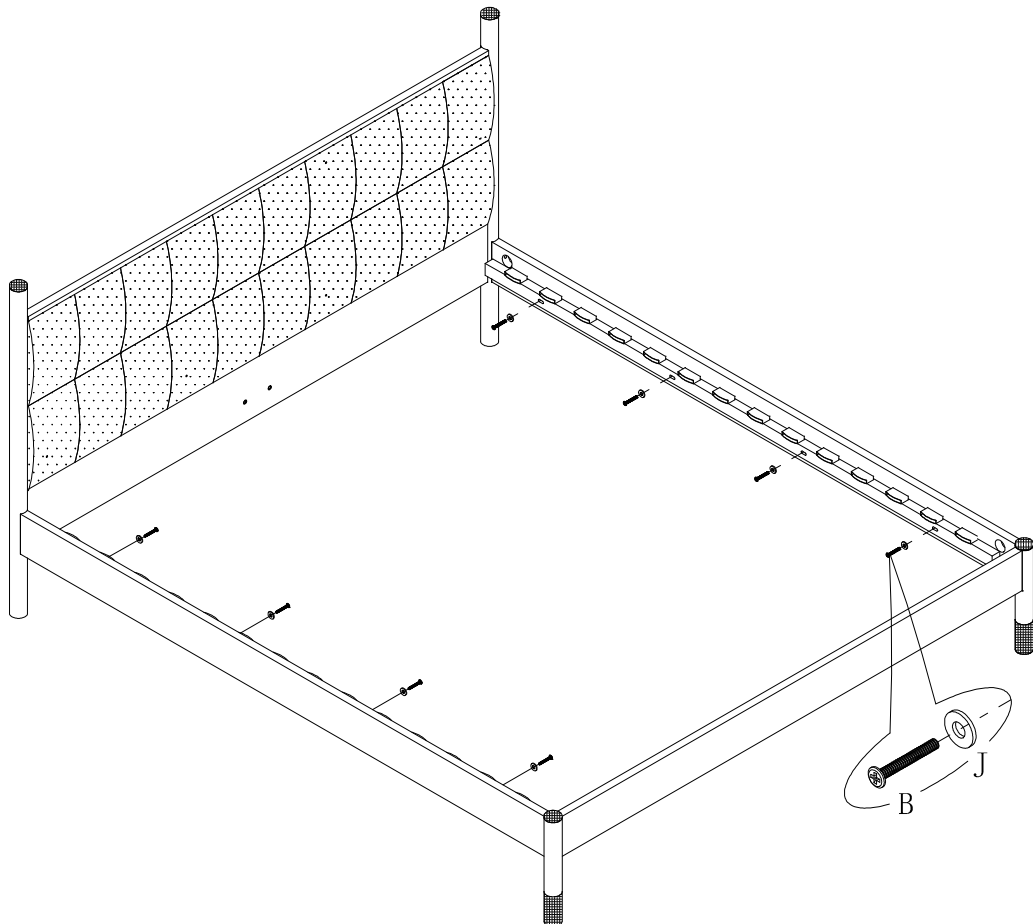
1

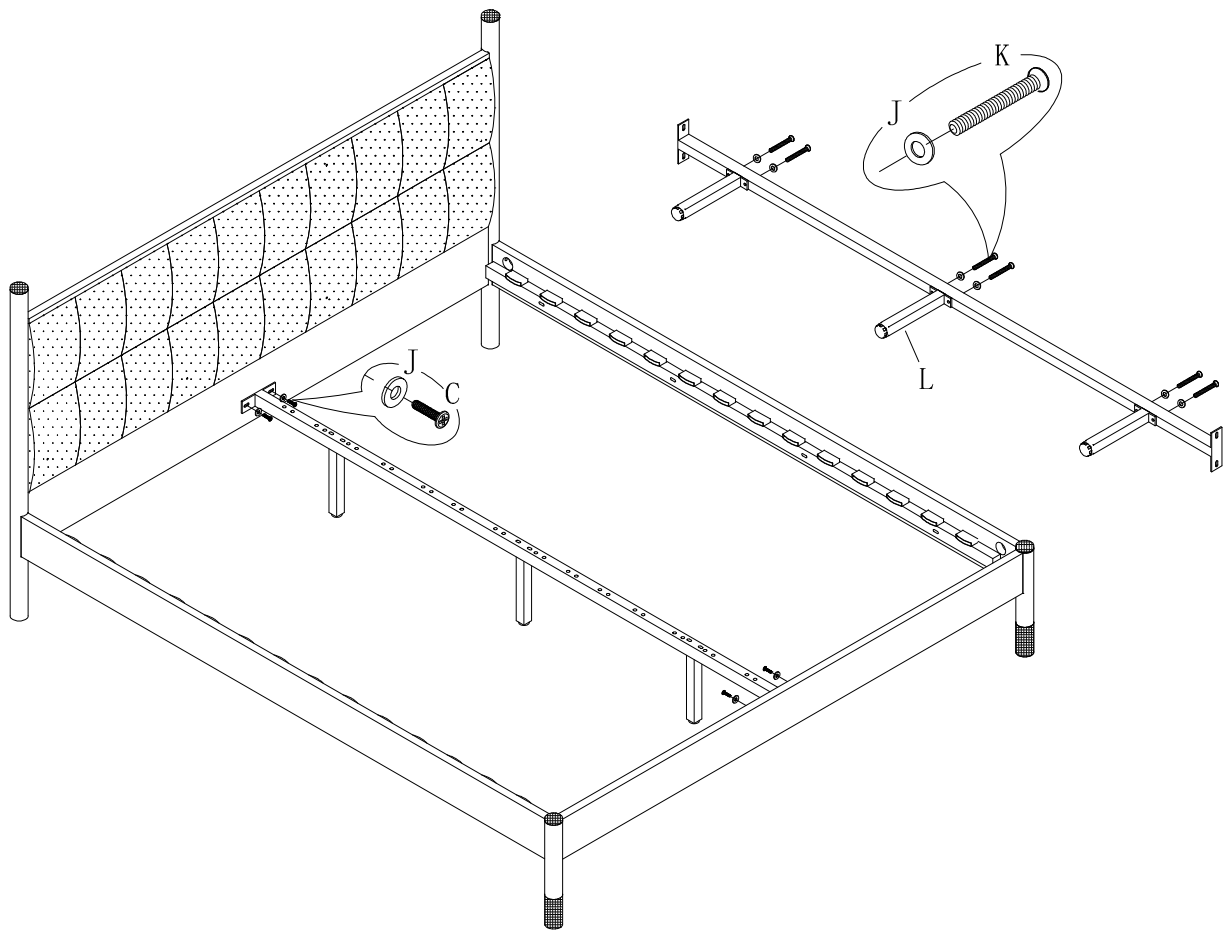
2



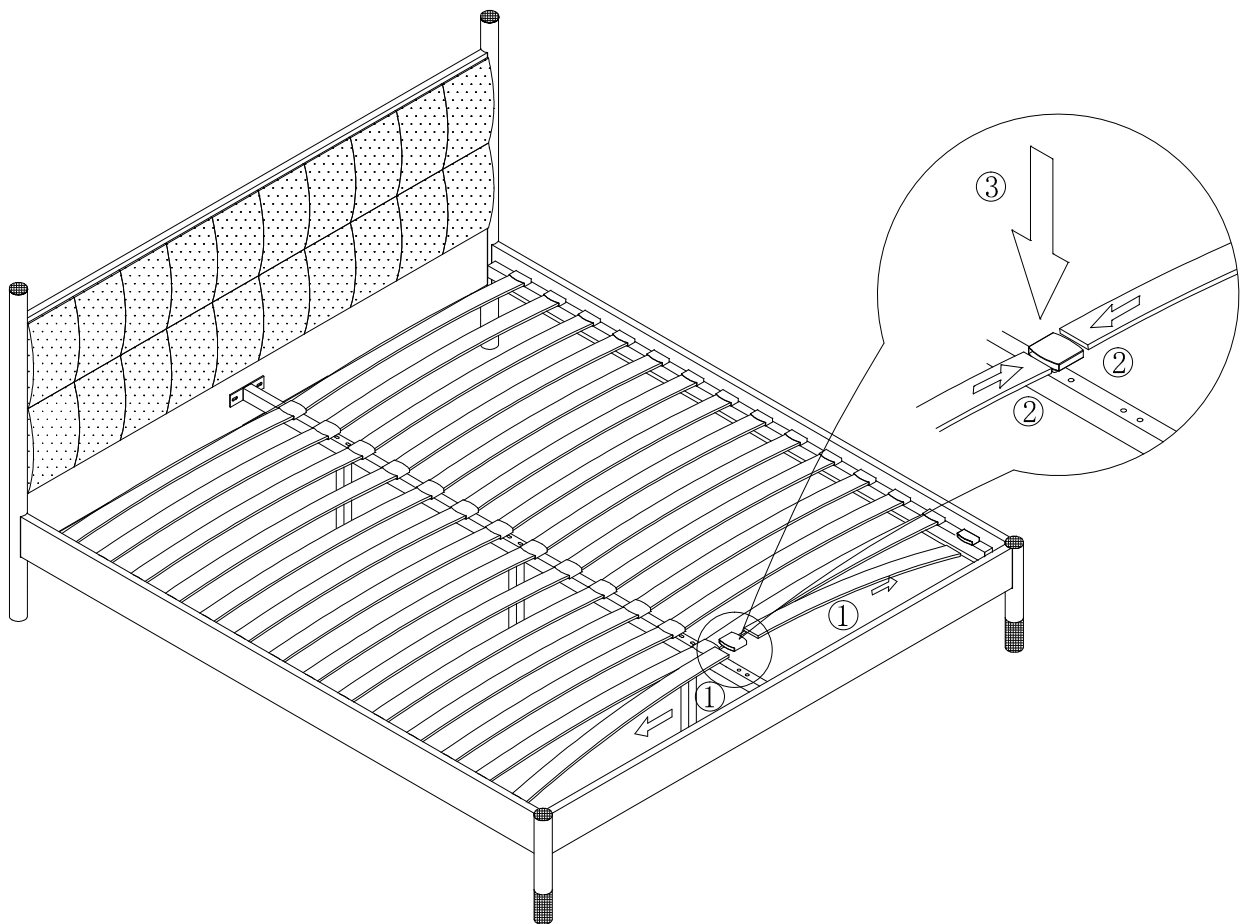


4





5



6