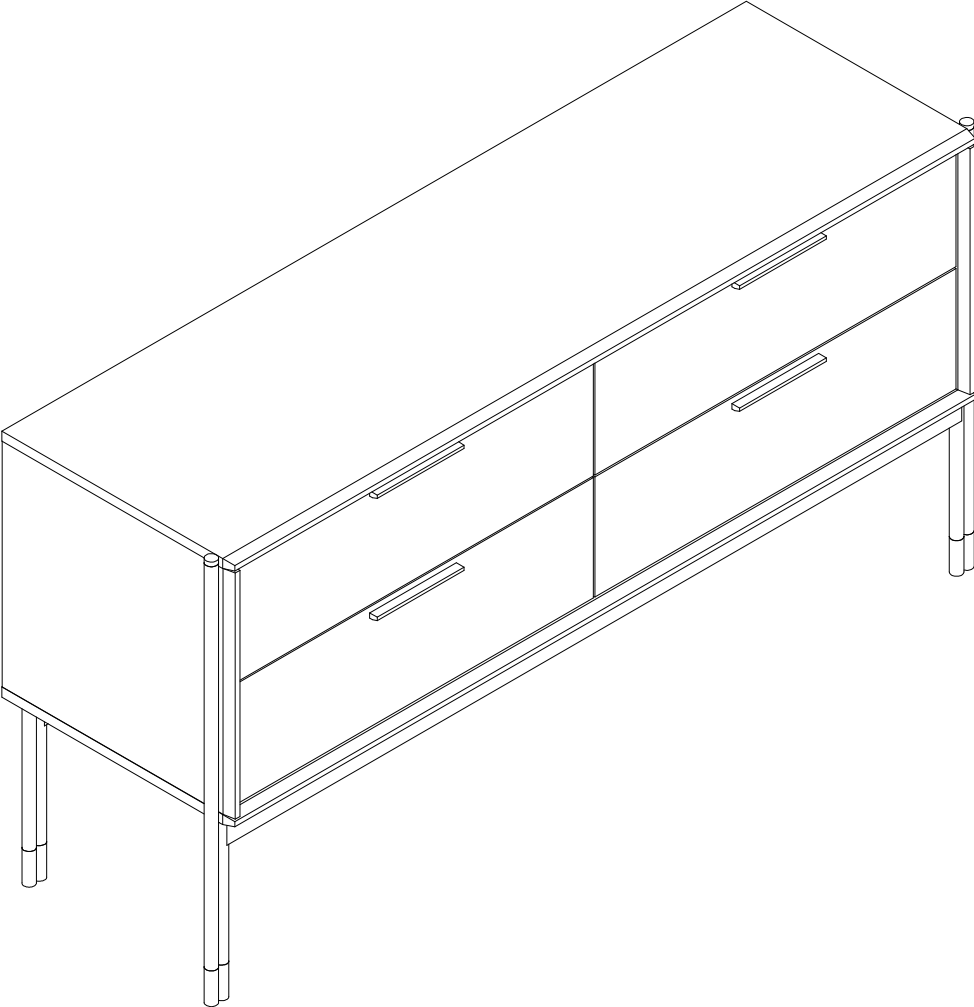


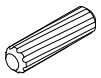
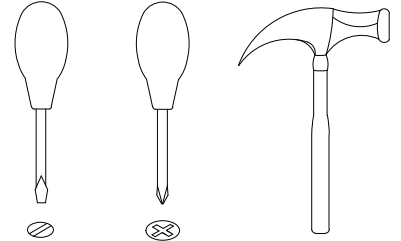
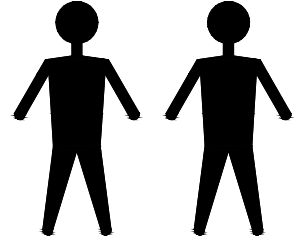
MOD
interiors

CP1710C

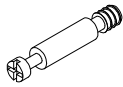


EAC

CP1710C



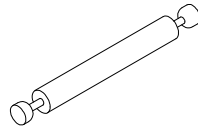
A x16
Spec: $\phi 8 \times 30$



B x14
Spec: $\phi 7 \times L30$



C x16
Spec: $\phi 15 \times H12$



D x1
Spec: $\phi 7 \times L66$



E x24
Spec: $\phi 6 \times L28$



F x24
Spec: $\phi 12 \times H9$



G x24
Spec: $\phi 6 \times L9$



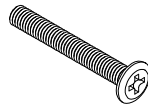
H x32
Spec: $\phi 6 \times 30$



I x8
Spec: $\phi 15$



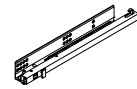
J x20
Spec: $\phi 14 \times \phi 8$



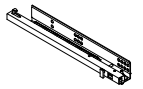
K x12
Spec: M6*50



L x8
Spec: M6*15



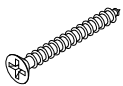
M x4
Spec: L350



N x16
Spec: H13



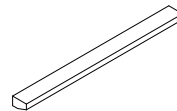
O x16
Spec: $\phi 3.5 \times L16$



P x16
Spec: $\phi 3.5 \times L35$



Q x40
Spec:



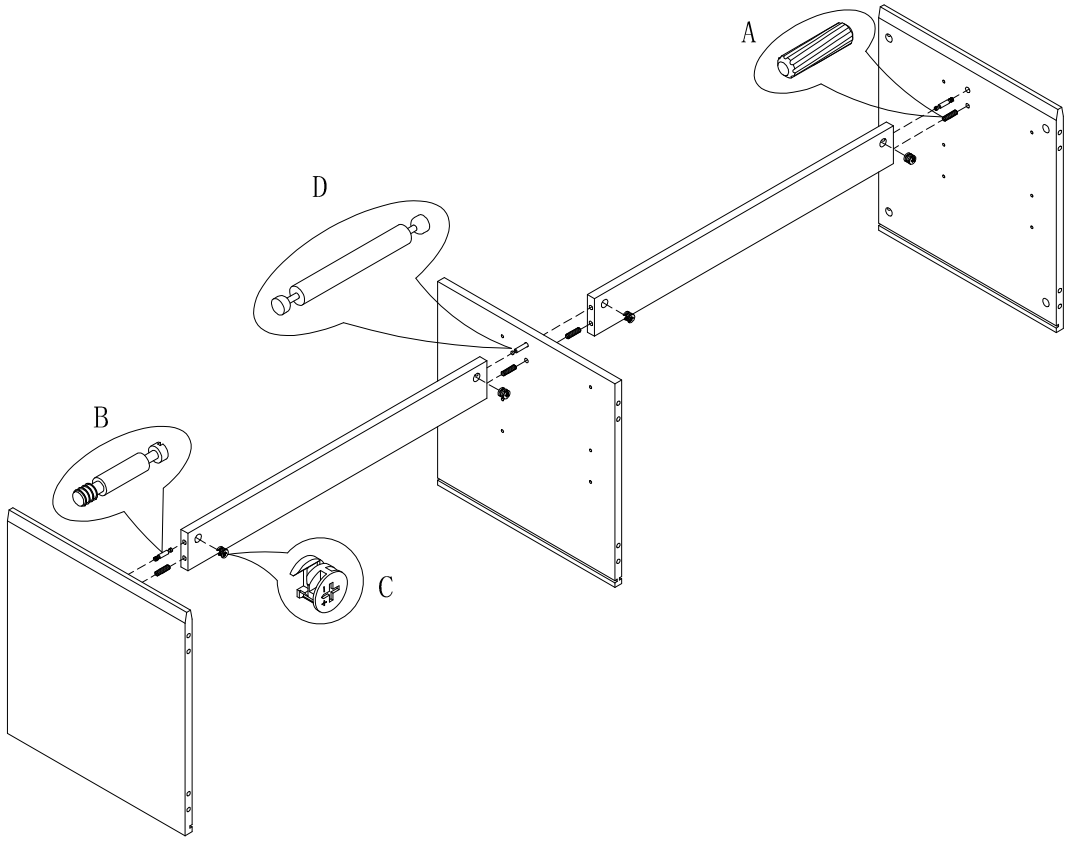
S x4
Spec: 169*15



T x8
Spec: M4*L21

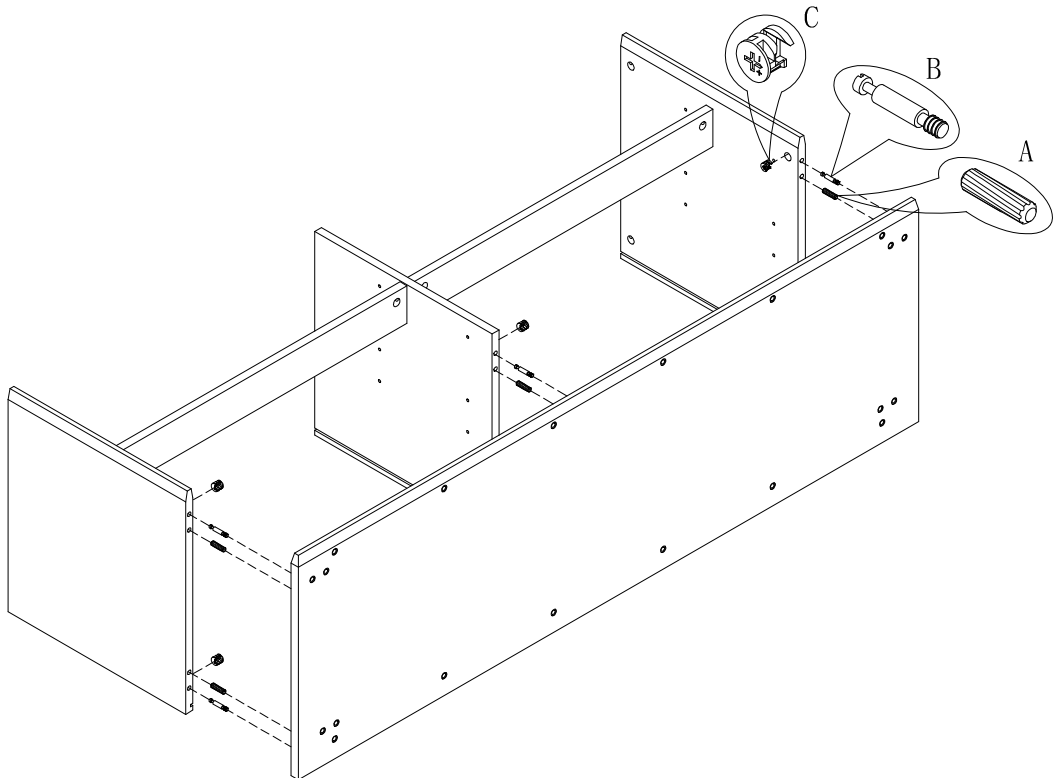


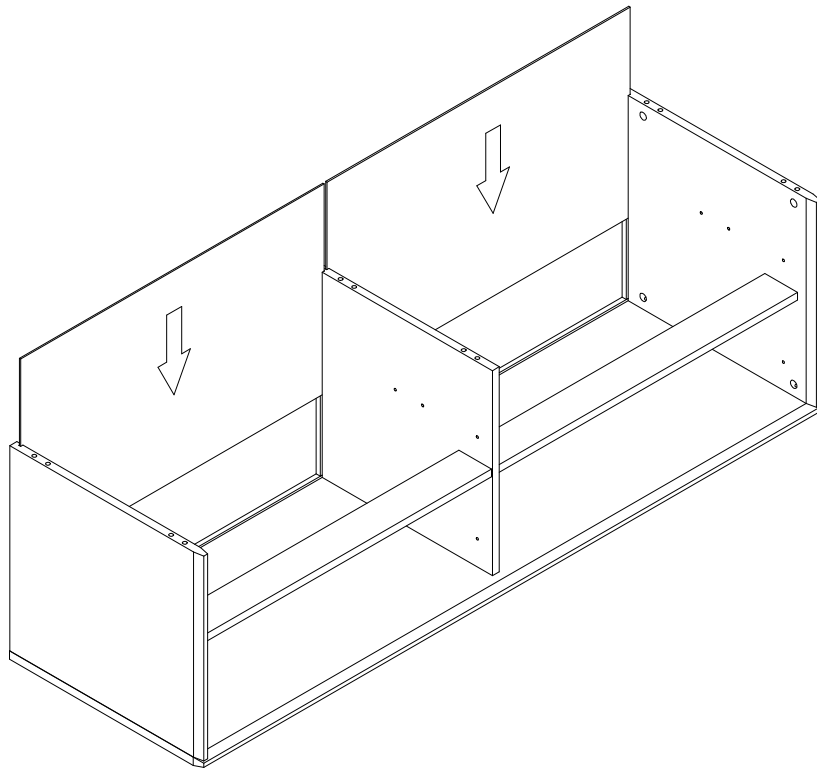
AAA x16
Spec: $\phi 3.8 \times L12$



1

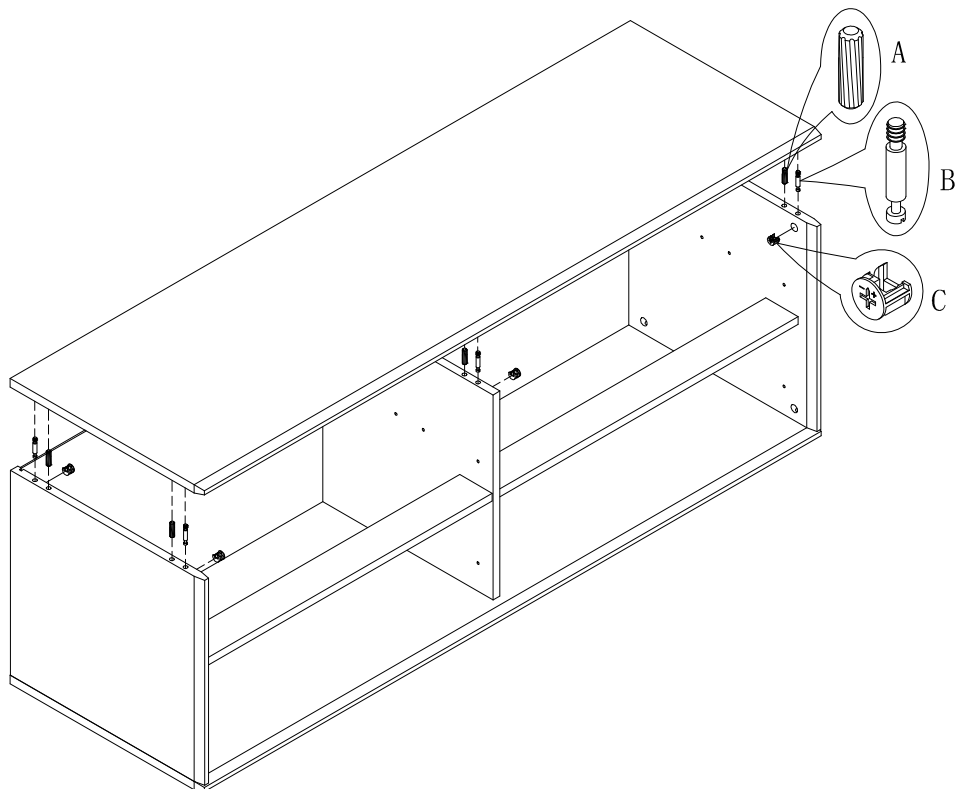
2

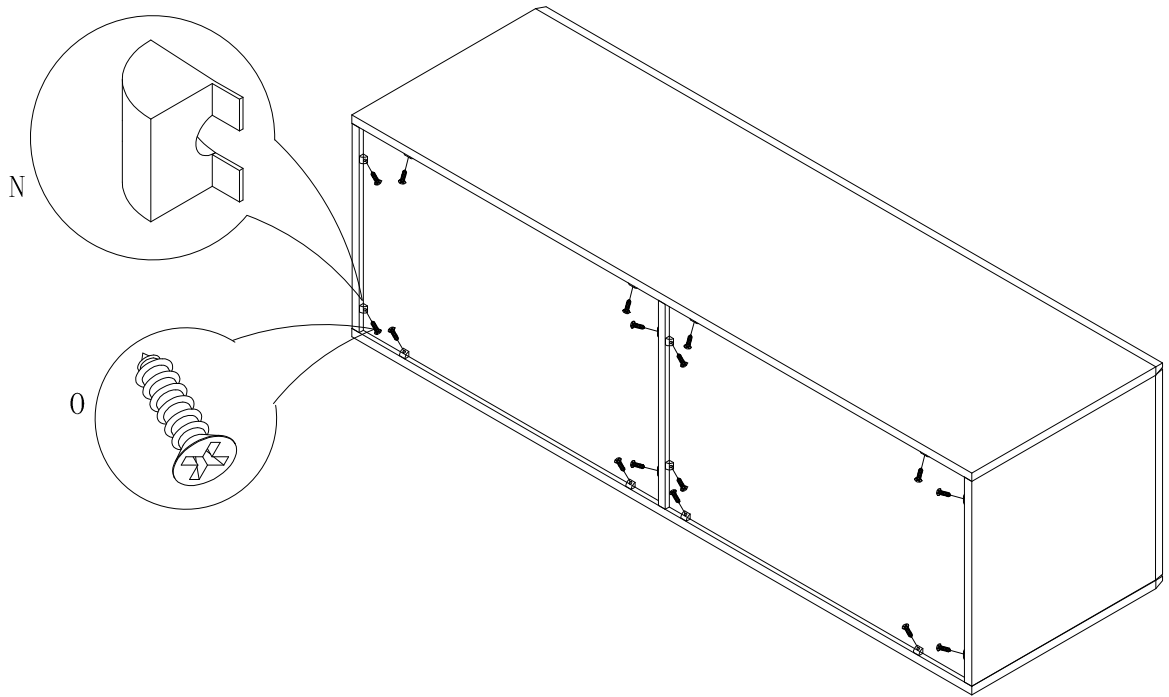




3

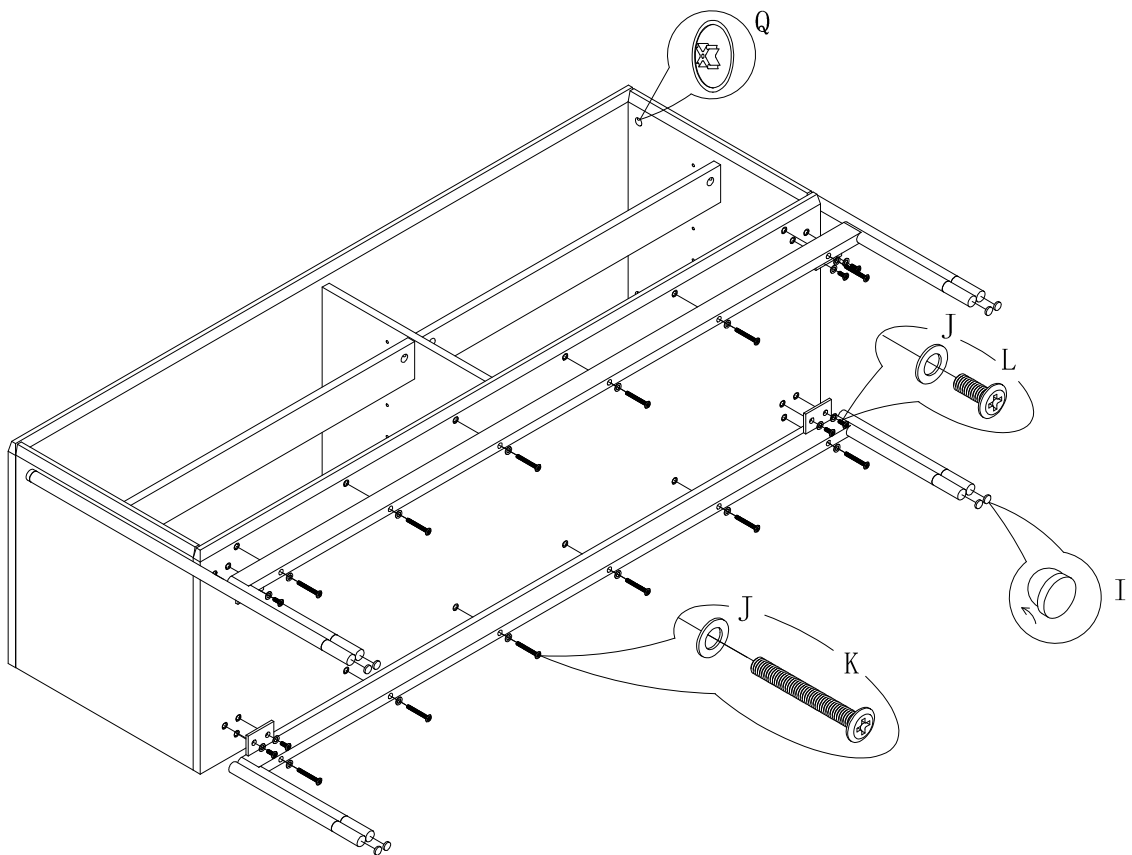
4

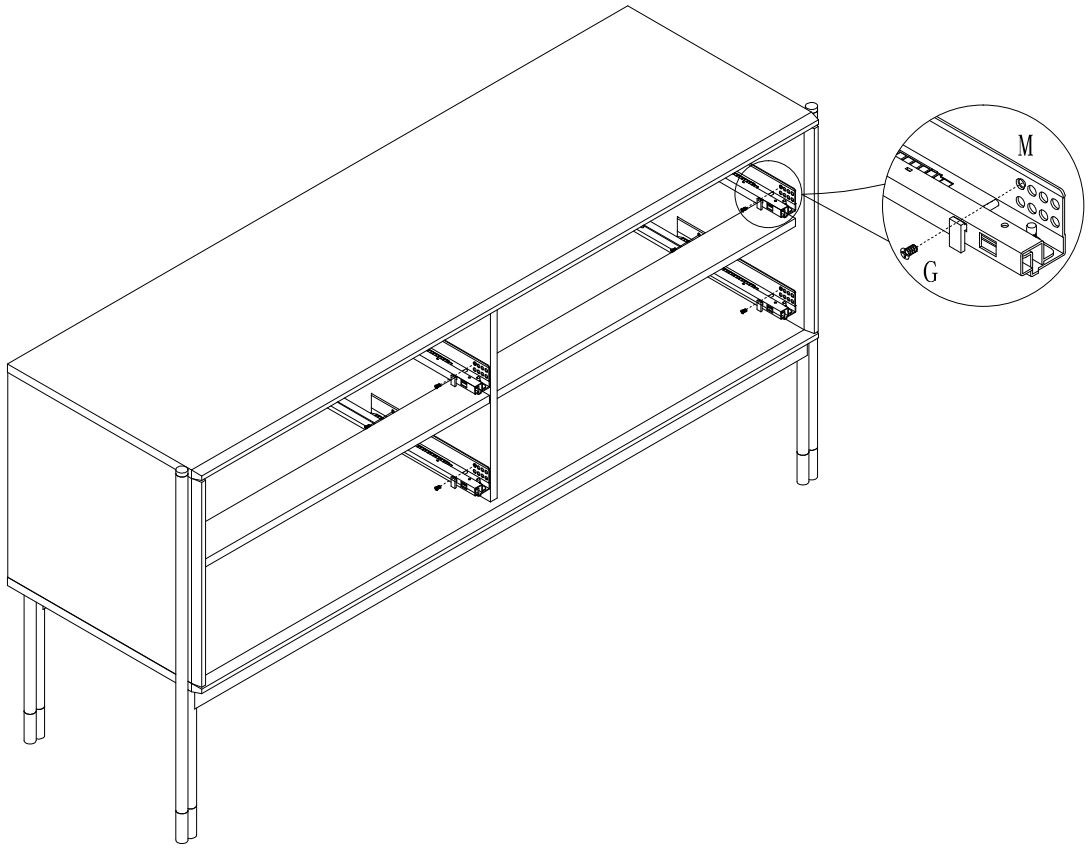




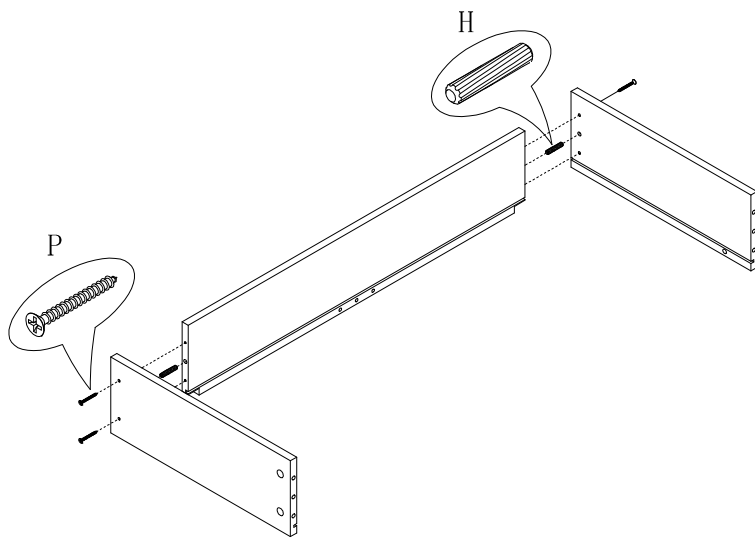
5

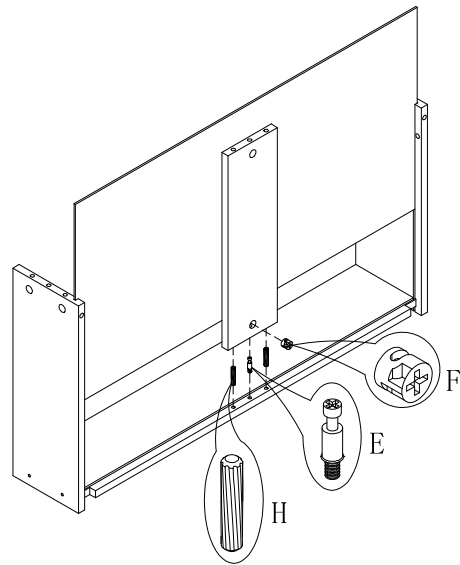
6





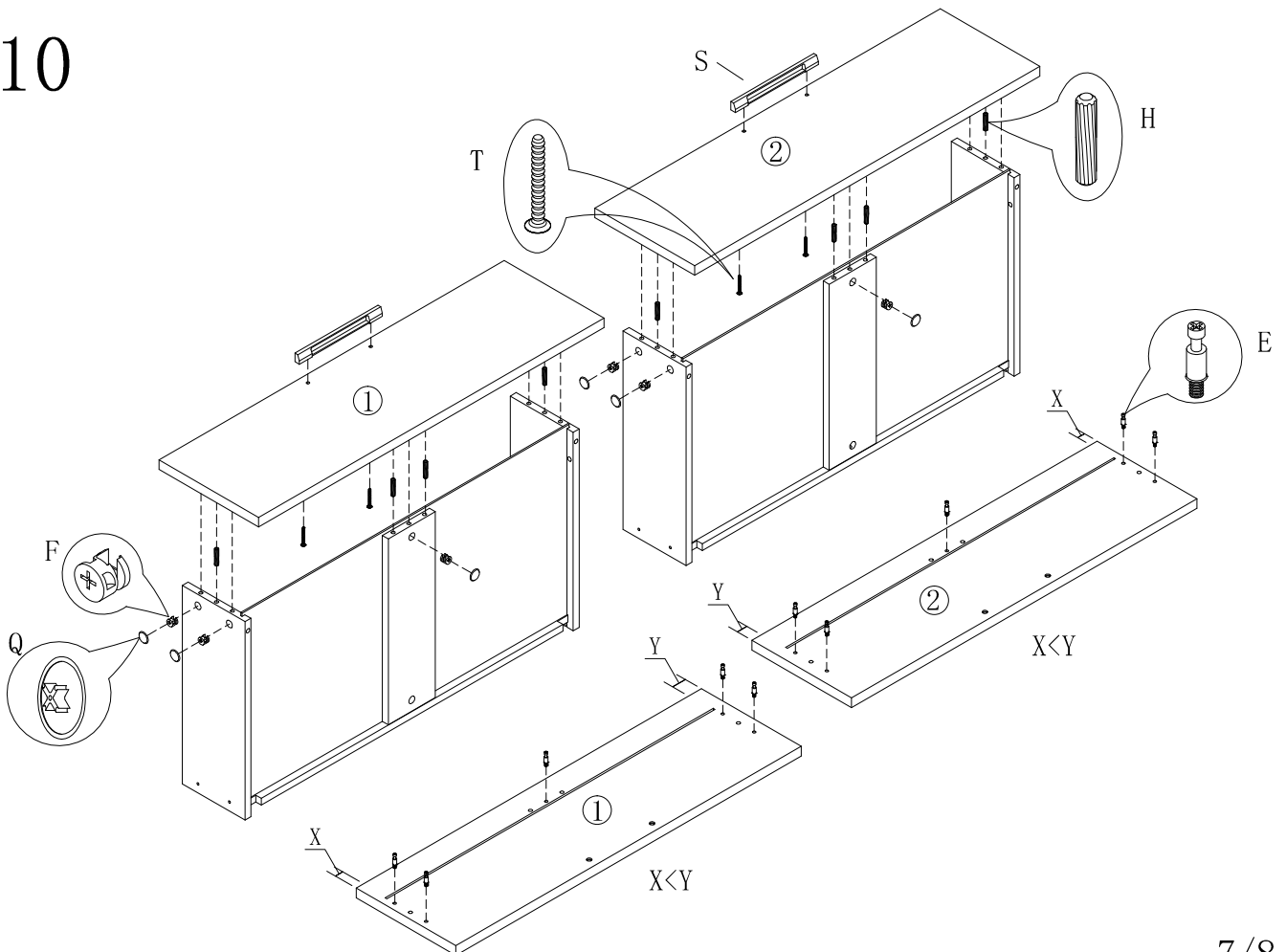
8

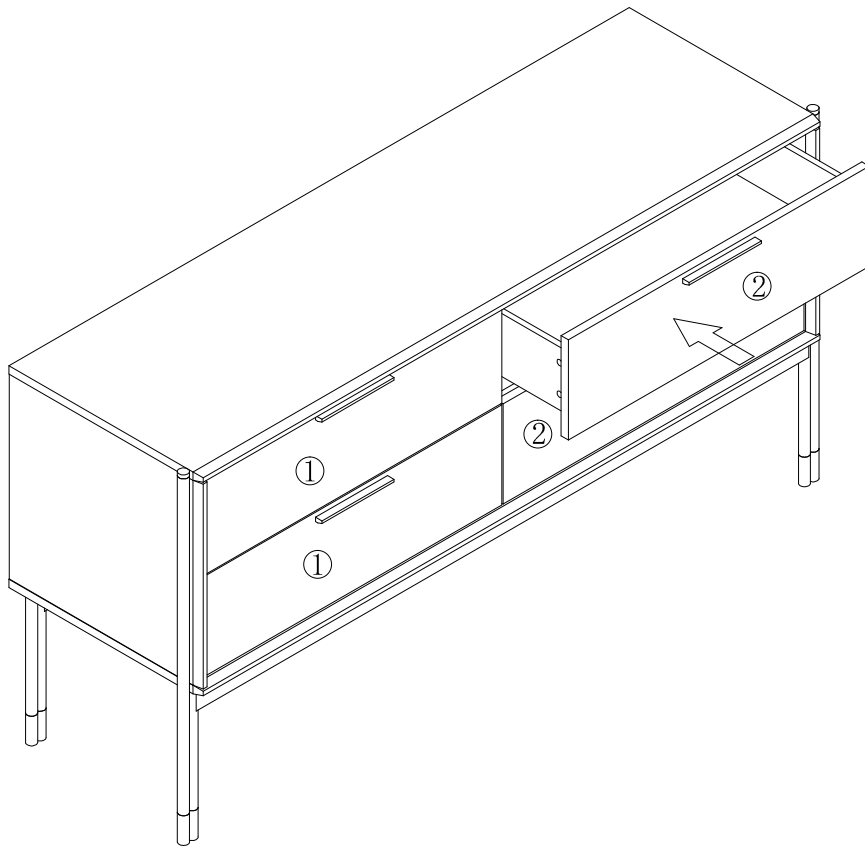




9

10





11
