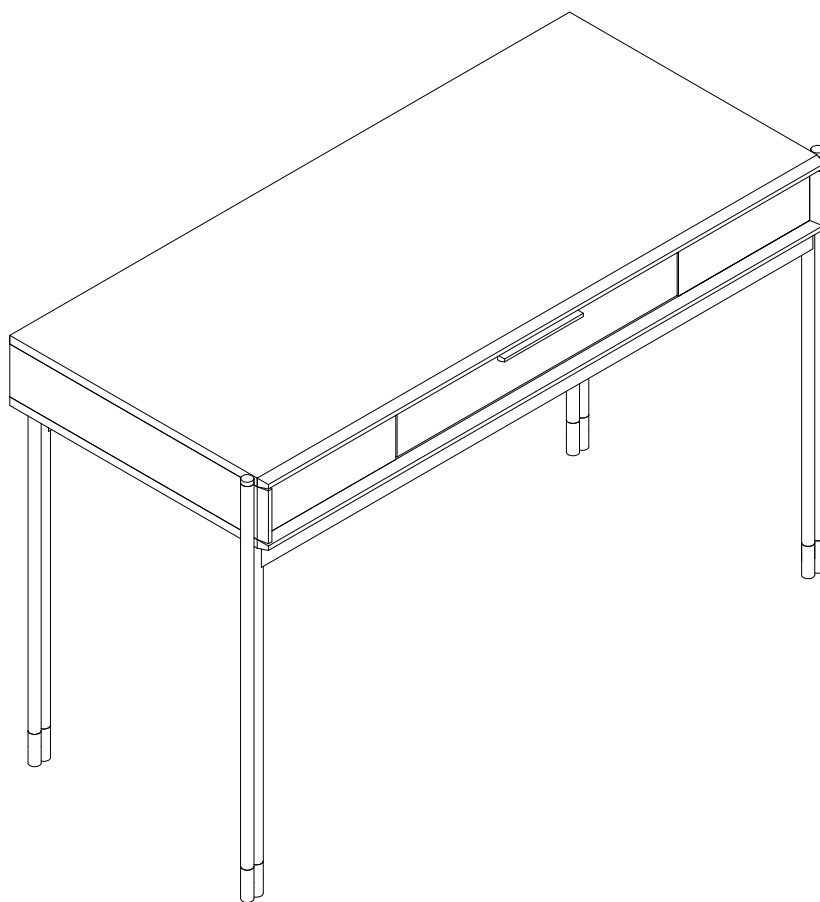


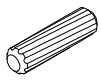
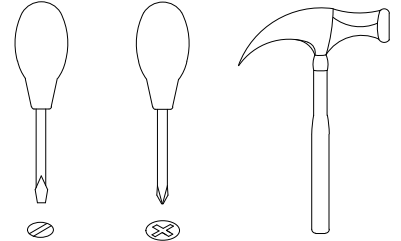
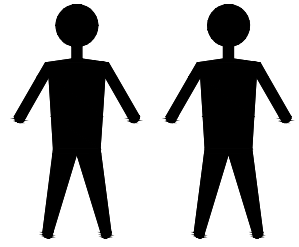


# CP1710DK2

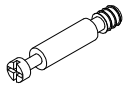


**EAC**

# # CP1710DK2



A x32  
Spec:  $\varnothing 8 \times 30$



B x28  
Spec:  $\varnothing 7 \times L30$



C x28  
Spec:  $\varnothing 15 \times H12$



D x4  
Spec:  $\varnothing 6 \times L28$



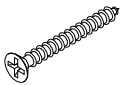
E x4  
Spec:  $\varnothing 12 \times H9$



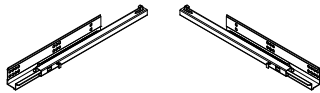
F x6  
Spec:  $\varnothing 6 \times 30$



G x32  
Spec:



H x4  
Spec:  $\varnothing 3.5 \times L35$



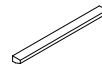
I x1  
Spec: L400



J x6  
Spec:  $\varnothing 6 \times L8$



K x2  
Spec:  $\varnothing 4 \times L21$



L x1  
Spec: 169\*15



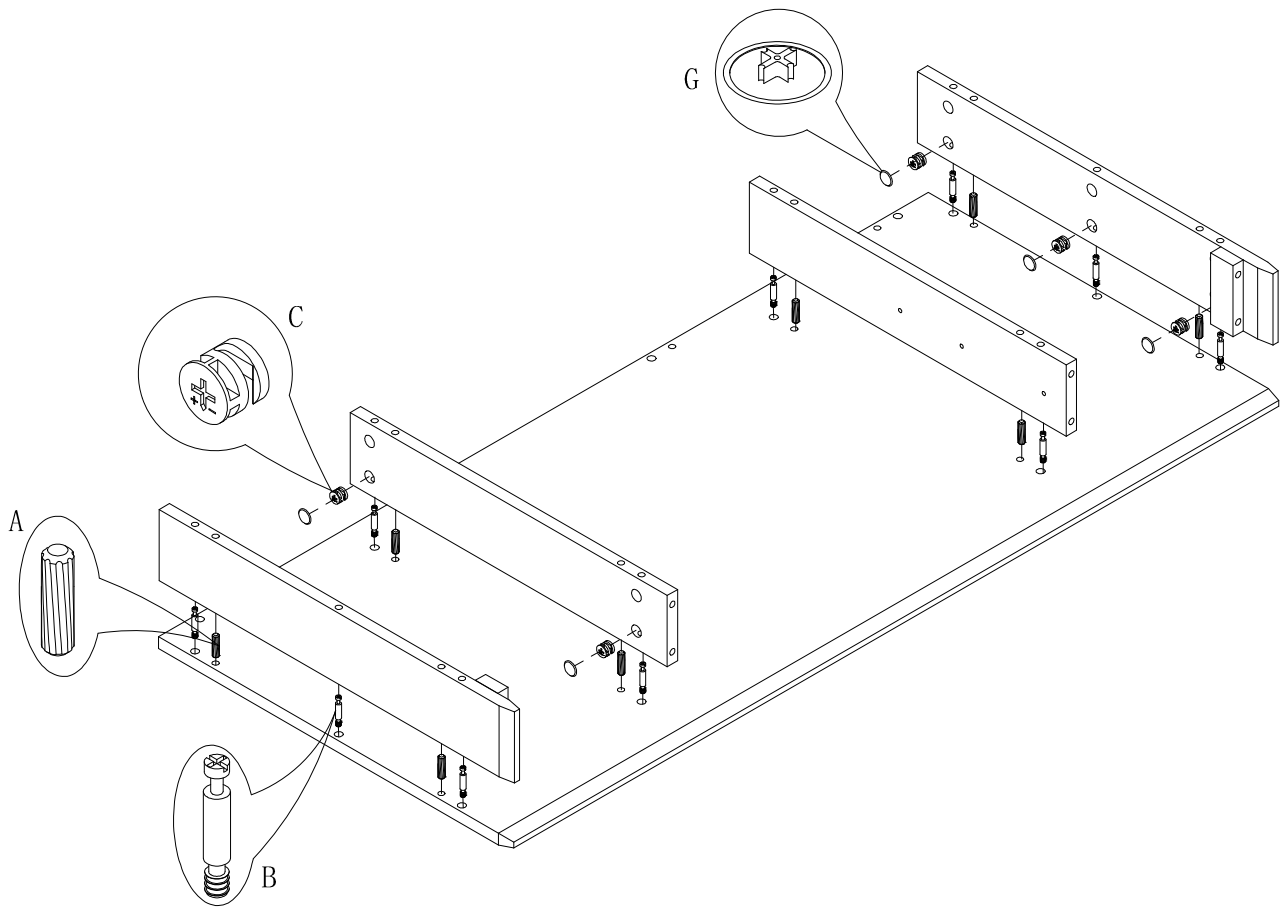
M x22  
Spec: M6\*L35



N x8  
Spec:  $\varnothing 15$

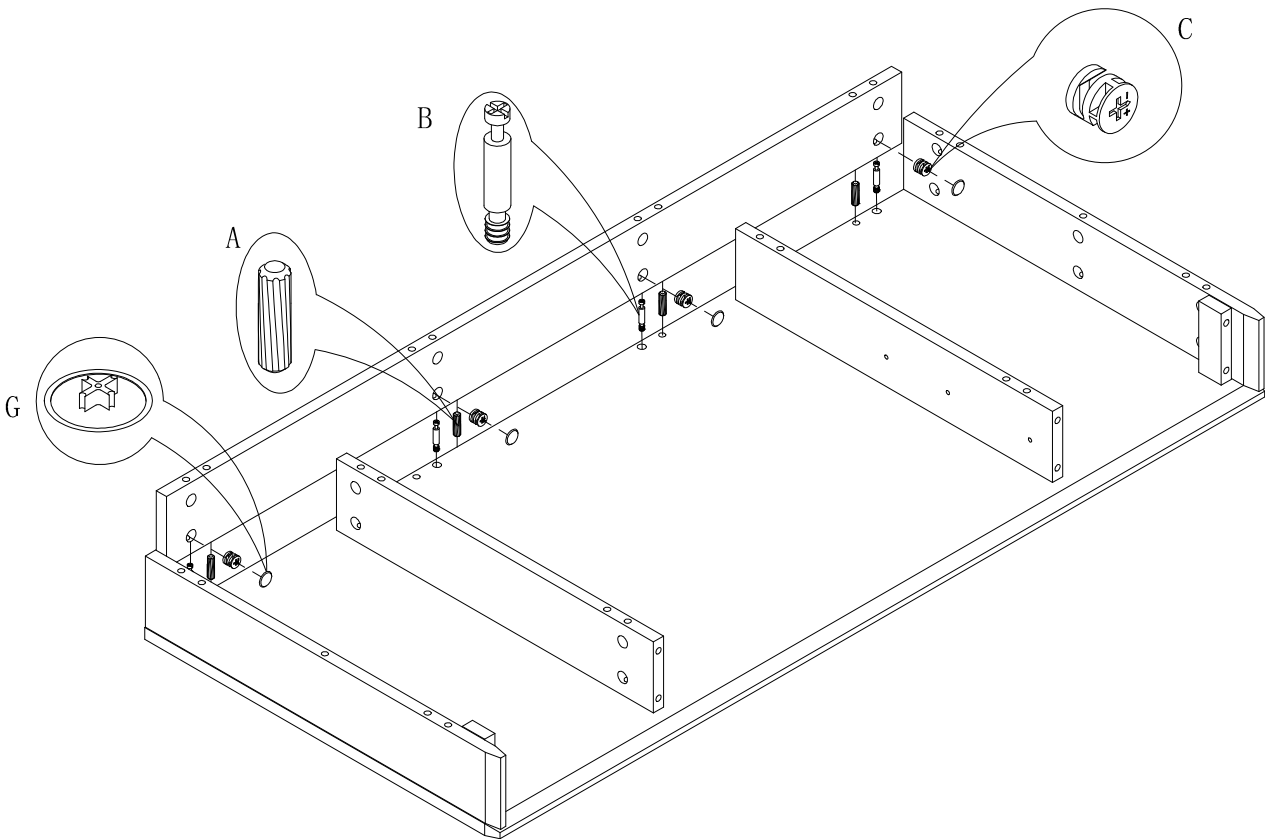


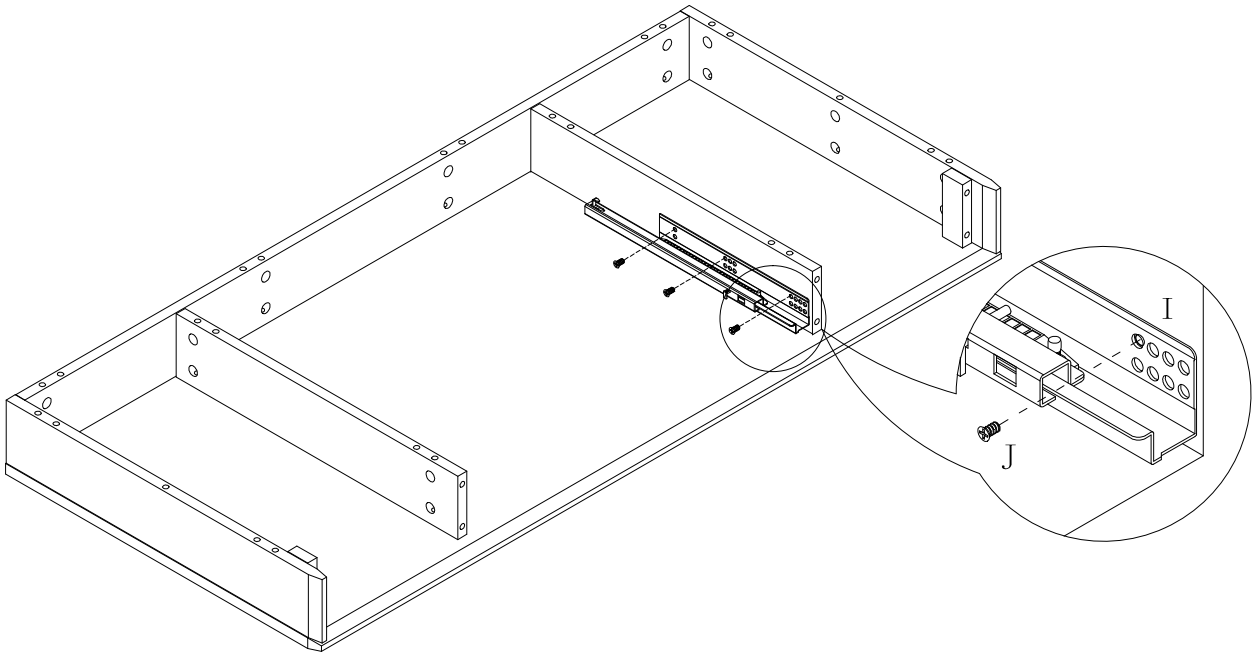
AAA x4  
Spec:  $\varnothing 3.8 \times L12$



1

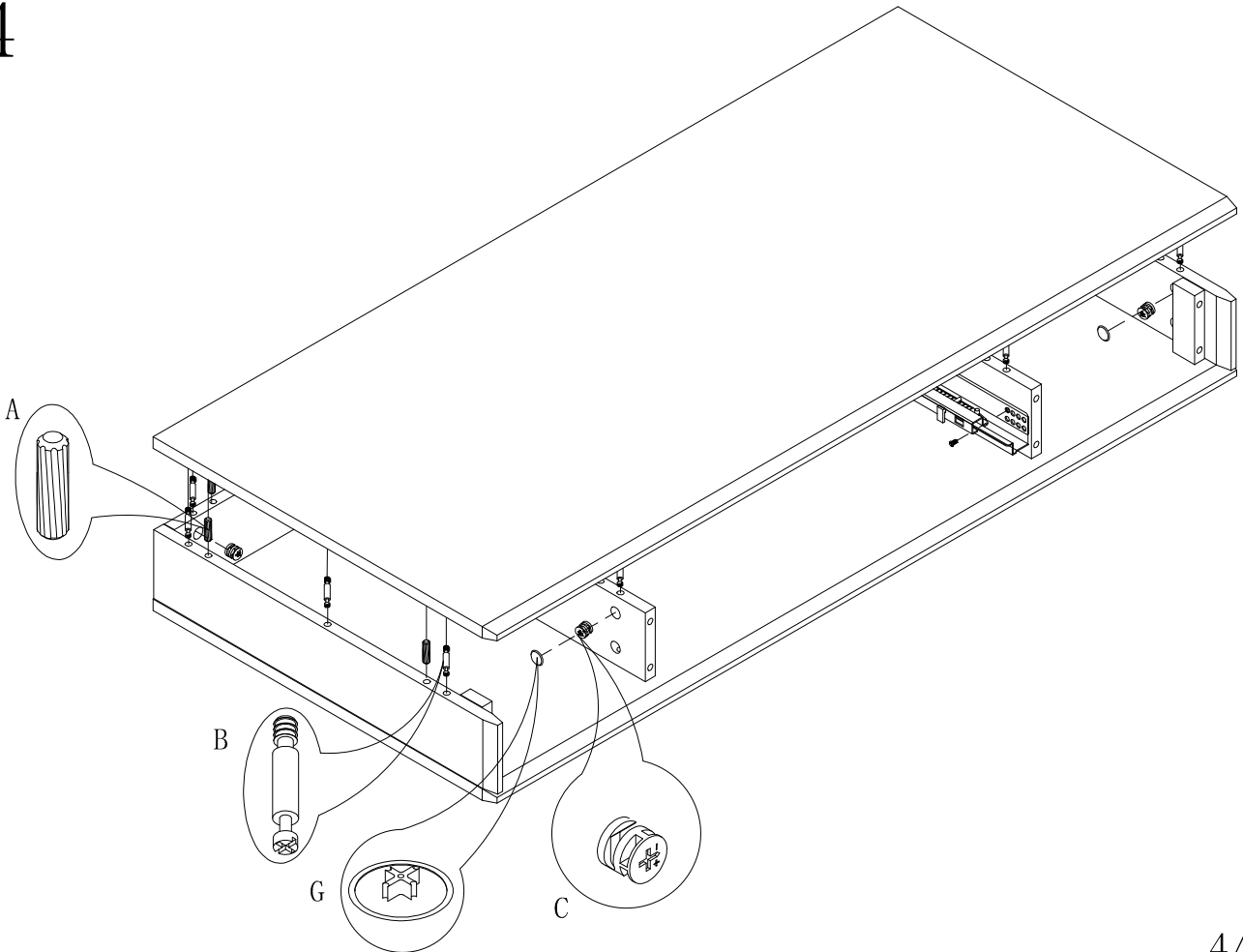
2

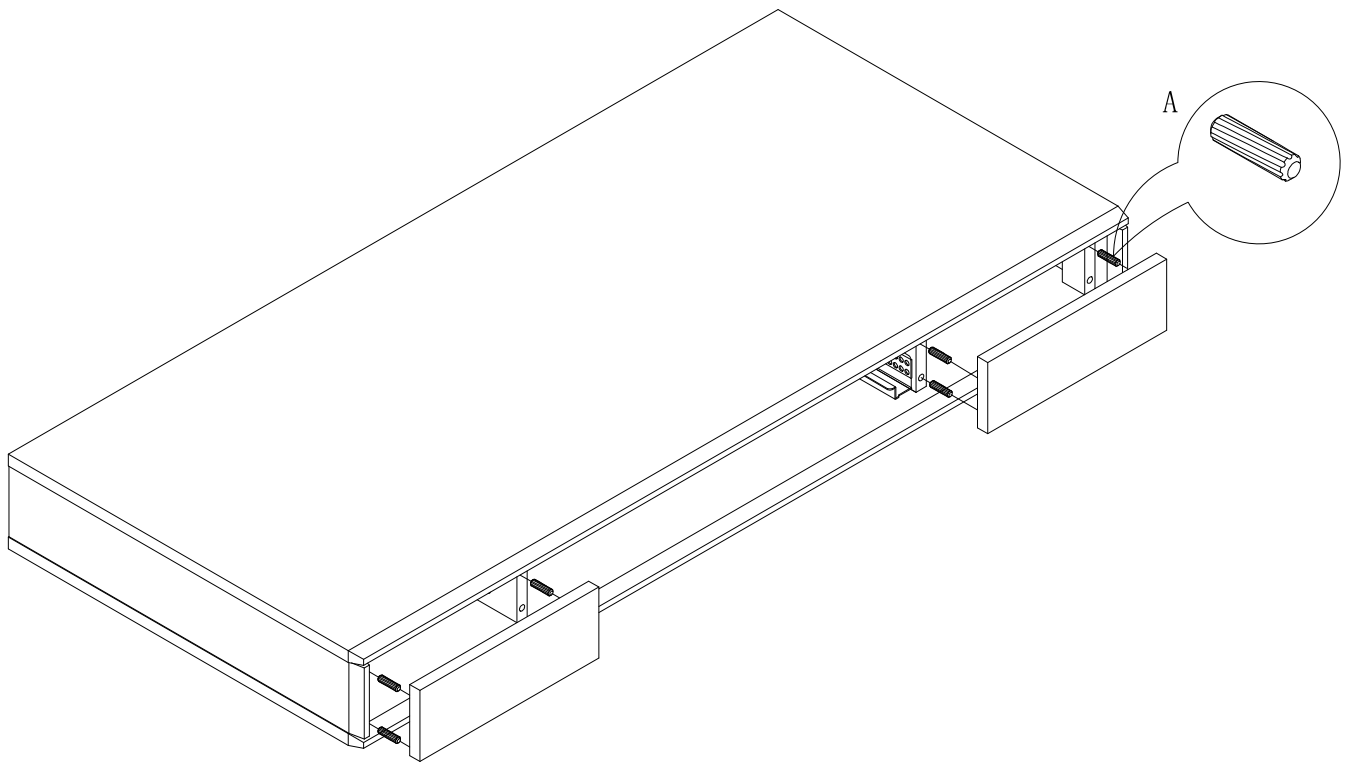




3

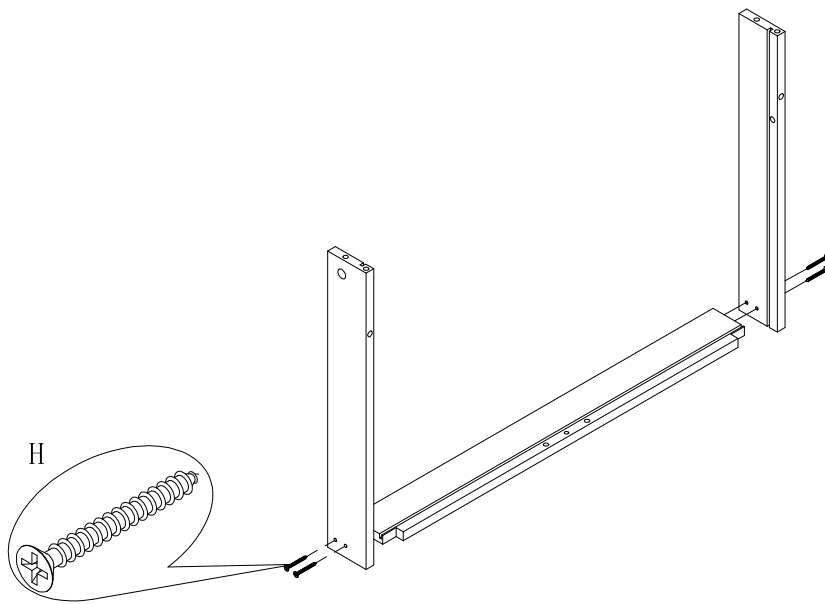
4

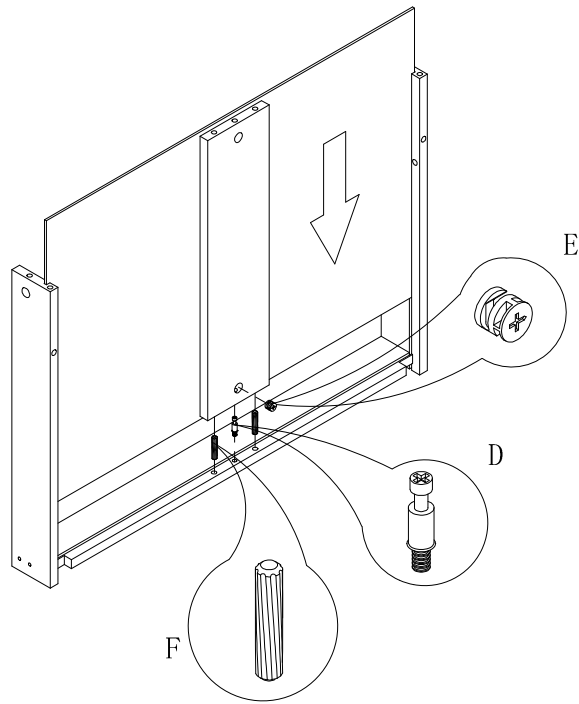




5

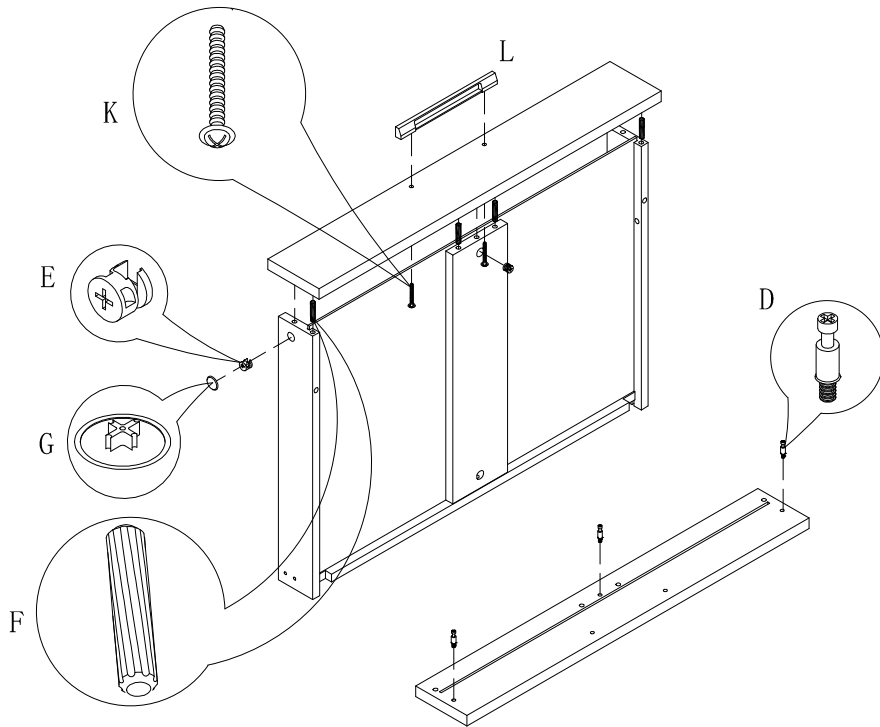
6

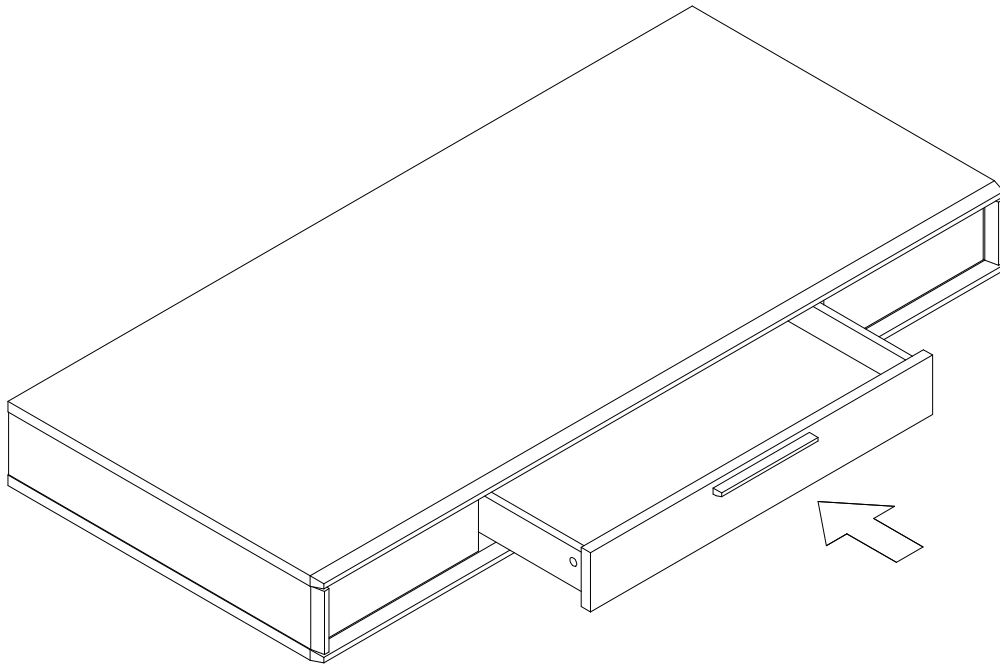




7

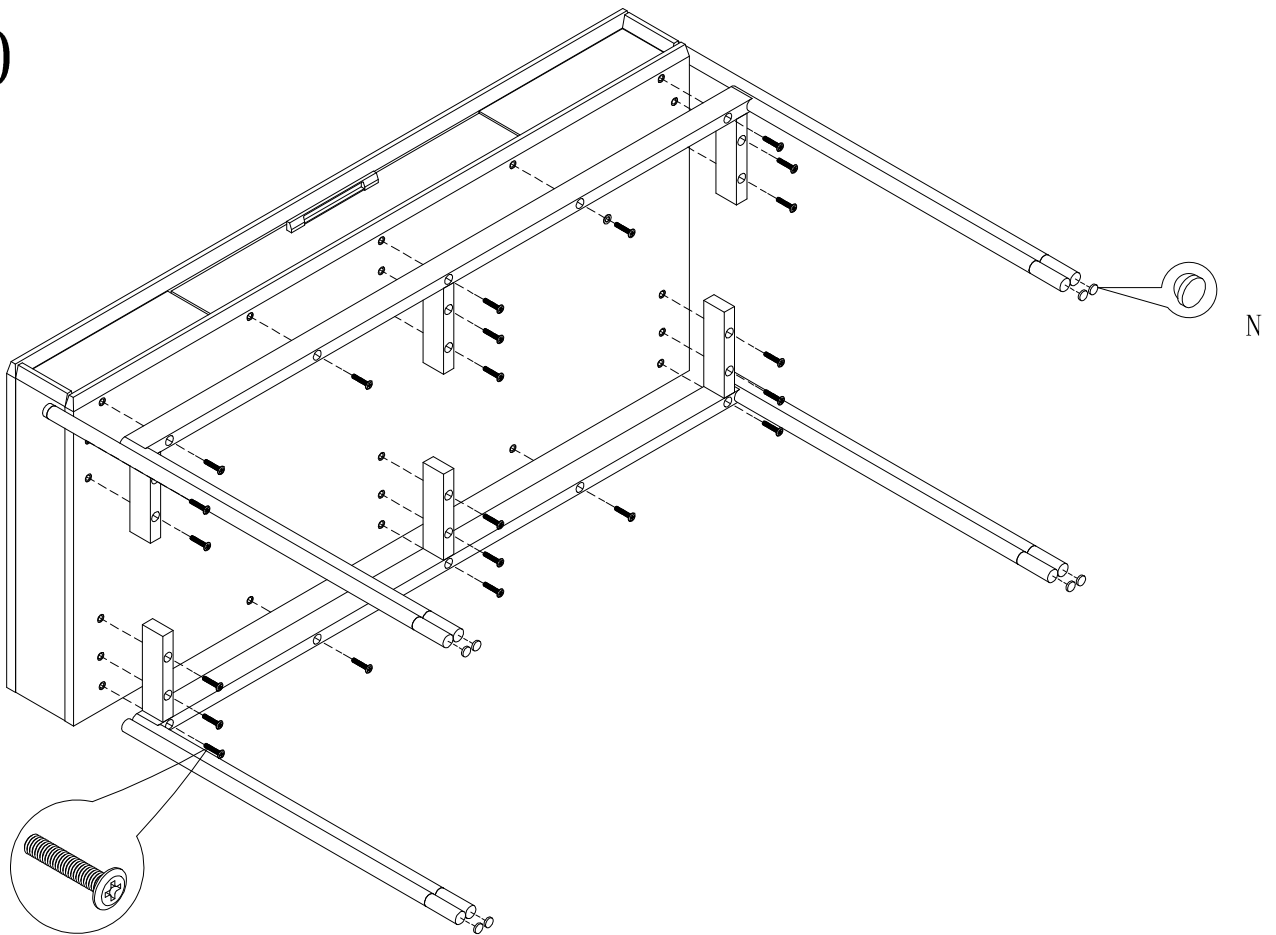
8





9

10



M