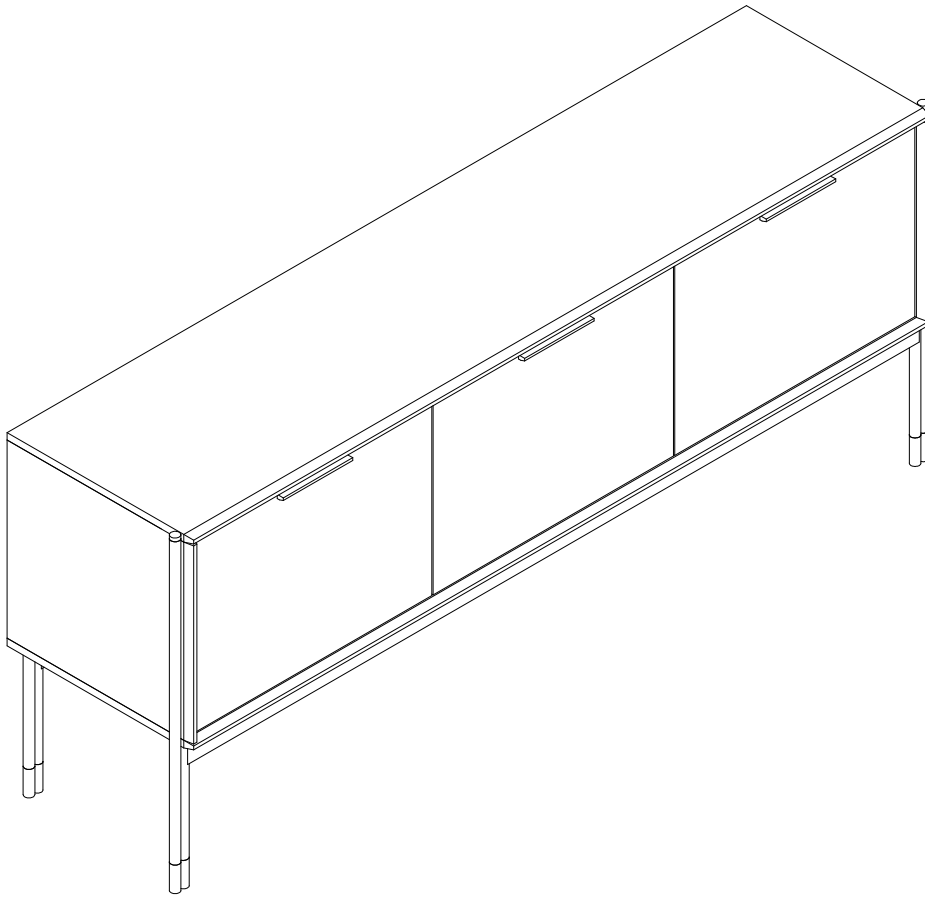
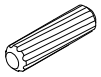
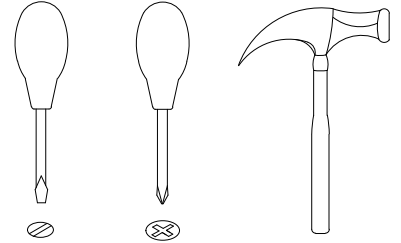
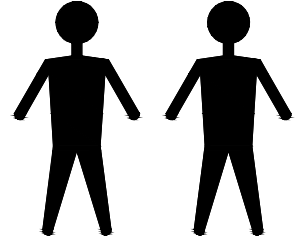




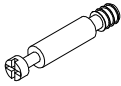
# CP1710E-50



# # CP1710E-50



A x16  
Spec:  $\varnothing 8 \times 30$



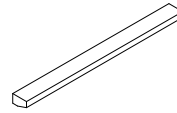
B x16  
Spec:  $\varnothing 7 \times L30$



C x16  
Spec:  $\varnothing 15 \times H12$



D x6  
Spec: M4\*L21



E x3  
Spec: 169\*15



F x12  
Spec:  $\varnothing 5 \times L19$



G x12  
Spec:  $\varnothing 20 \times H12$



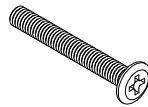
H x8  
Spec:  $\varnothing 15$



I x16  
Spec:



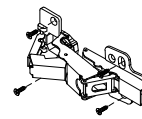
J x24  
Spec:  $\varnothing 14 \times \varnothing 8$



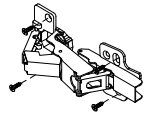
K x12  
Spec: M6\*50



L x12  
Spec: M6\*15



M x4  
Spec: 088#



N x2  
Spec: 078#



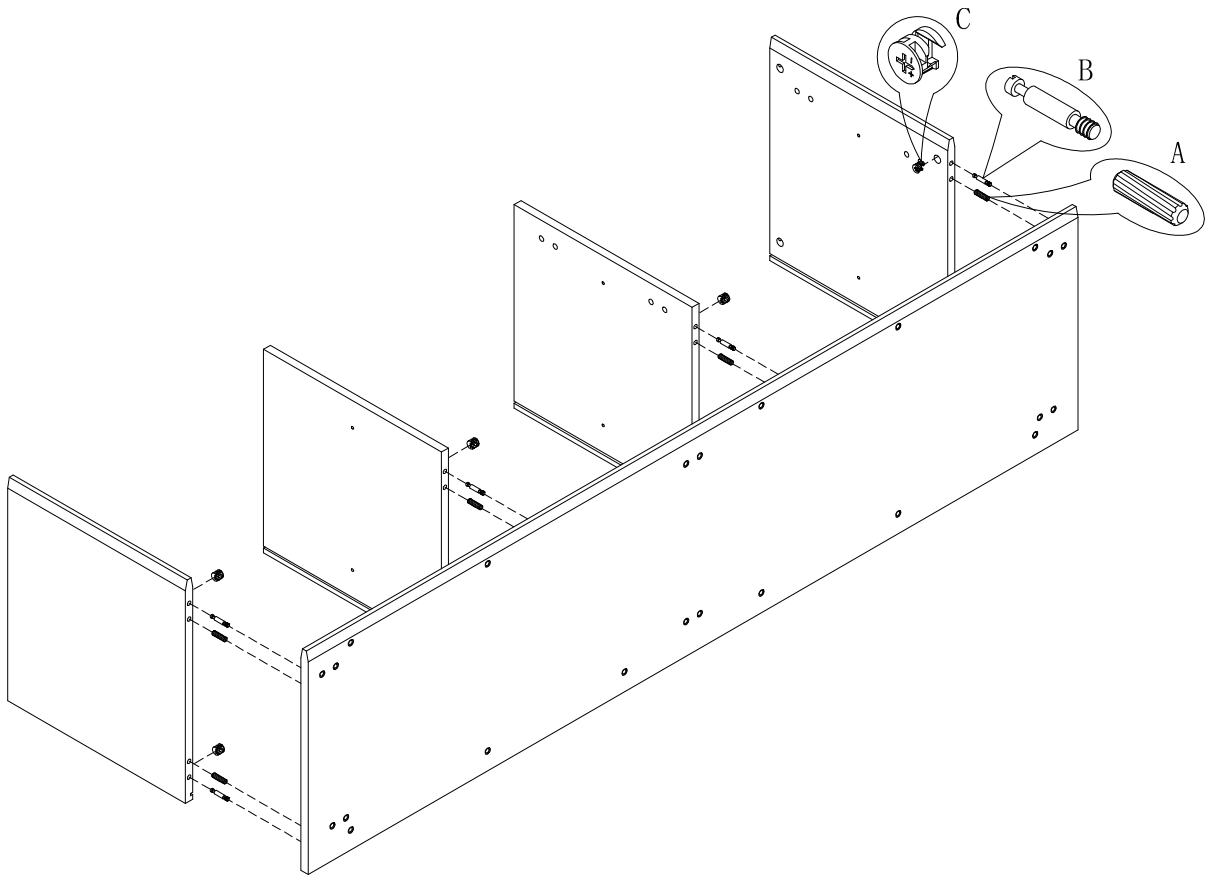
O x18  
Spec: H13



P x18  
Spec:  $\varnothing 3.5 \times L16$

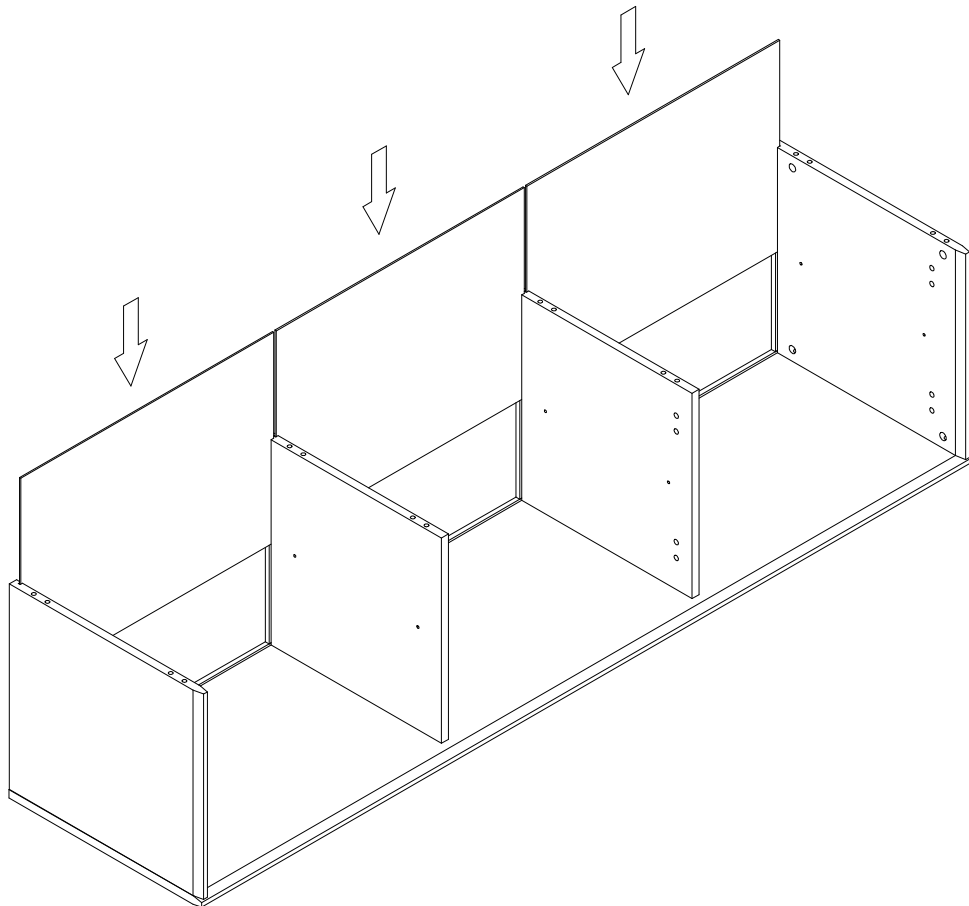


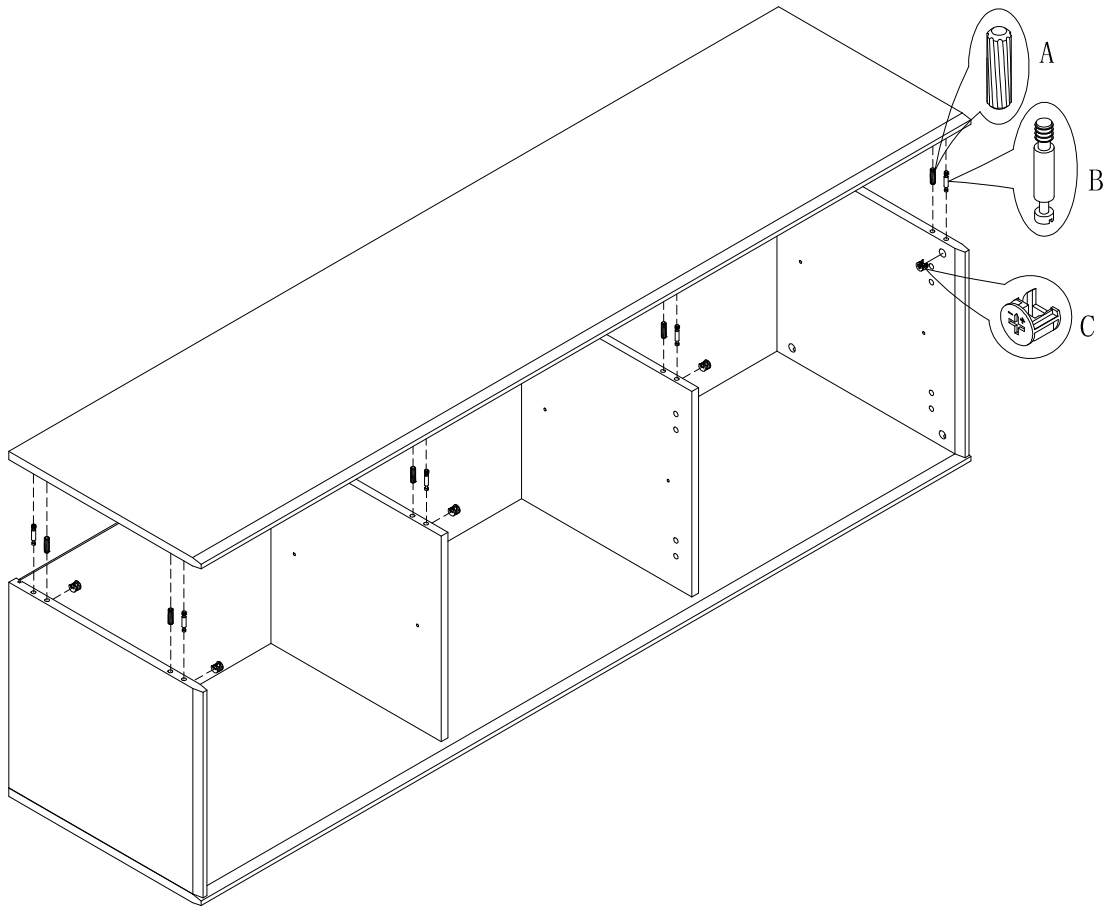
Q x12  
Spec: 3.8\*L16



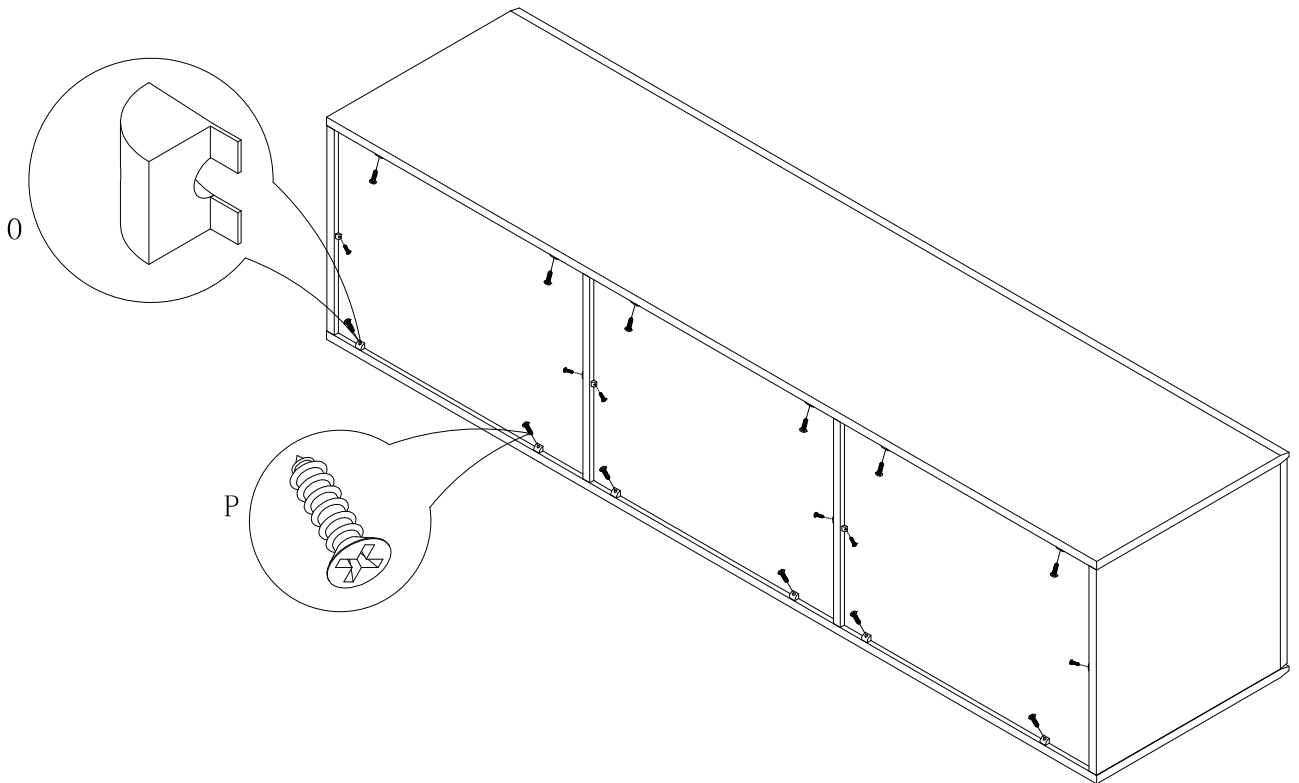
1

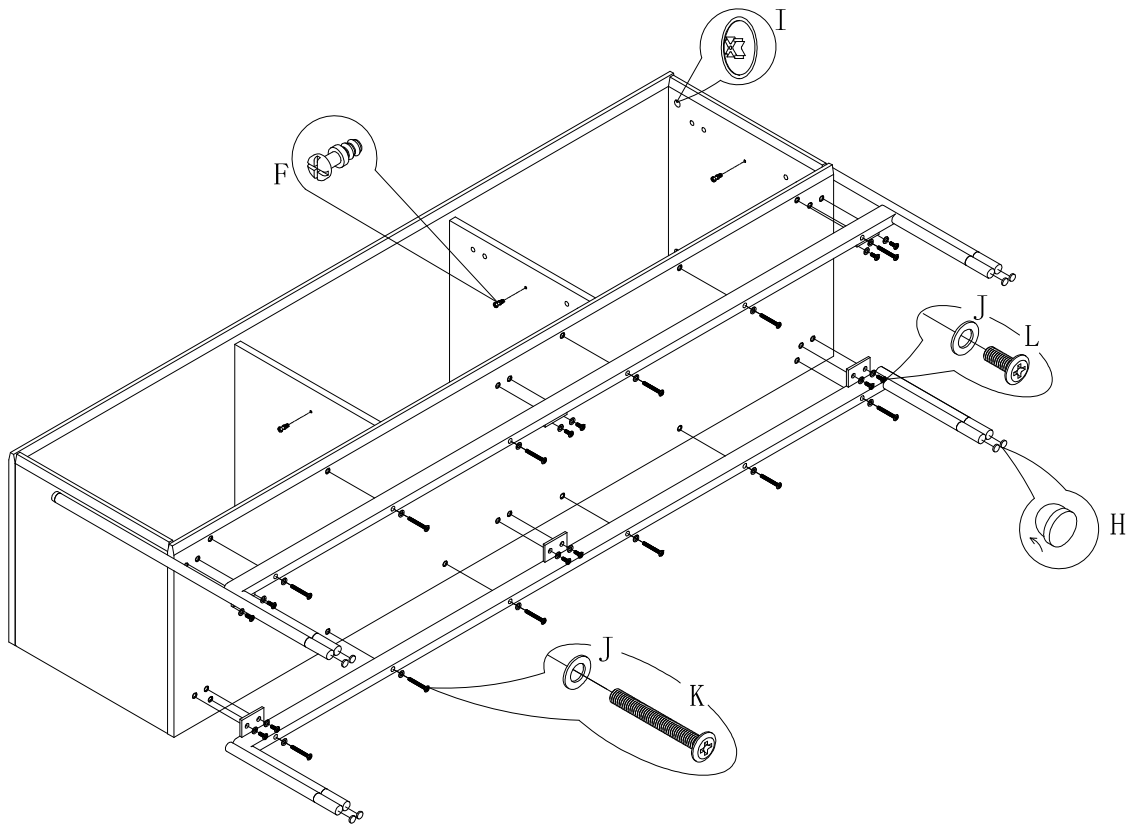
2





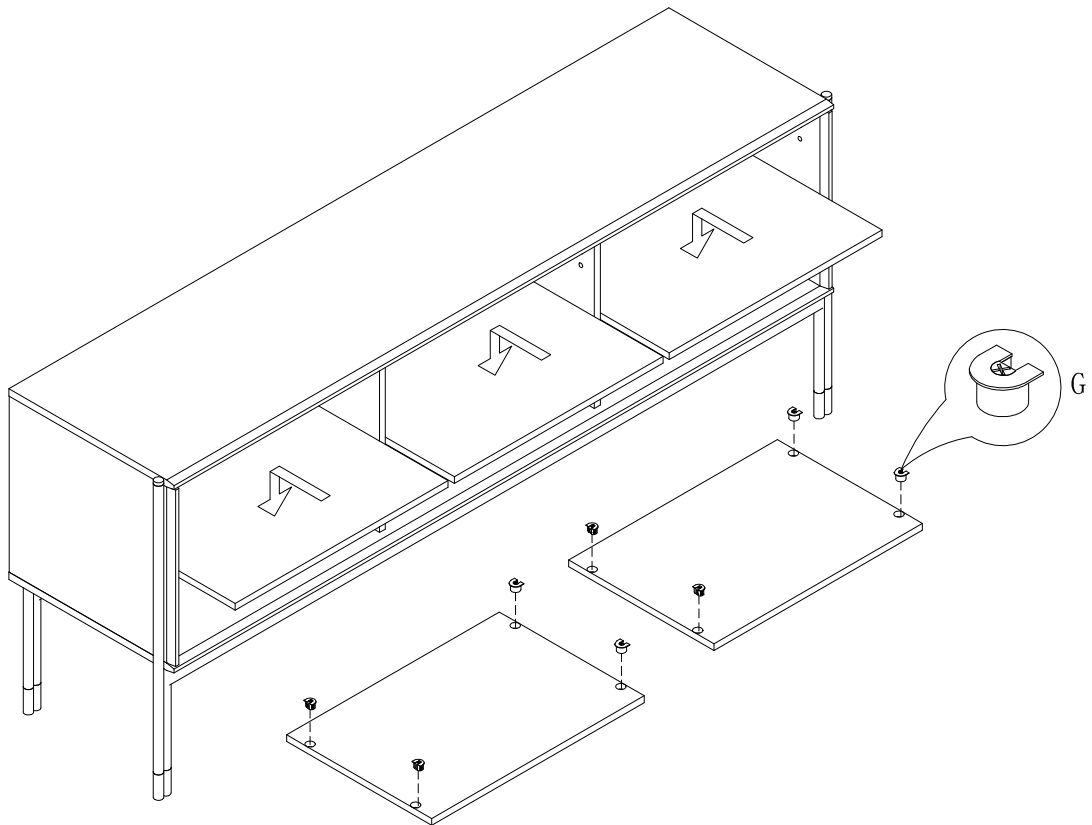
4

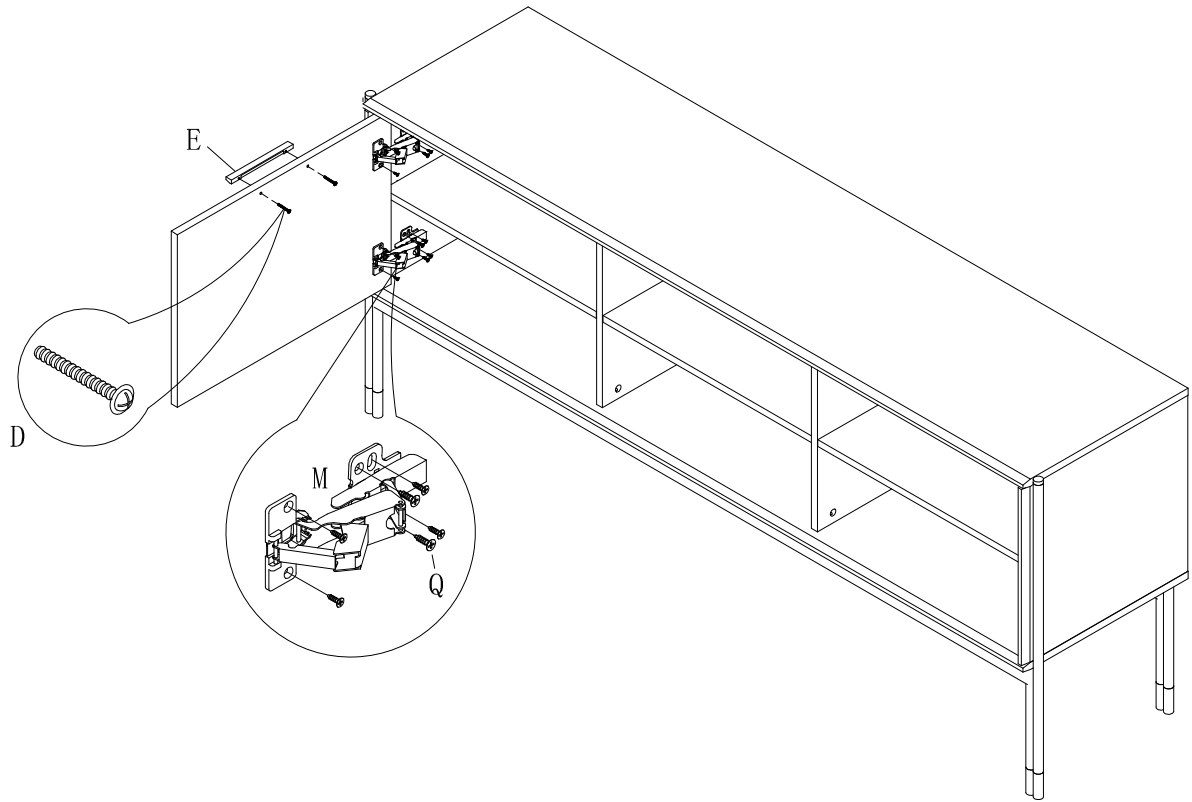




5

6





7

8

