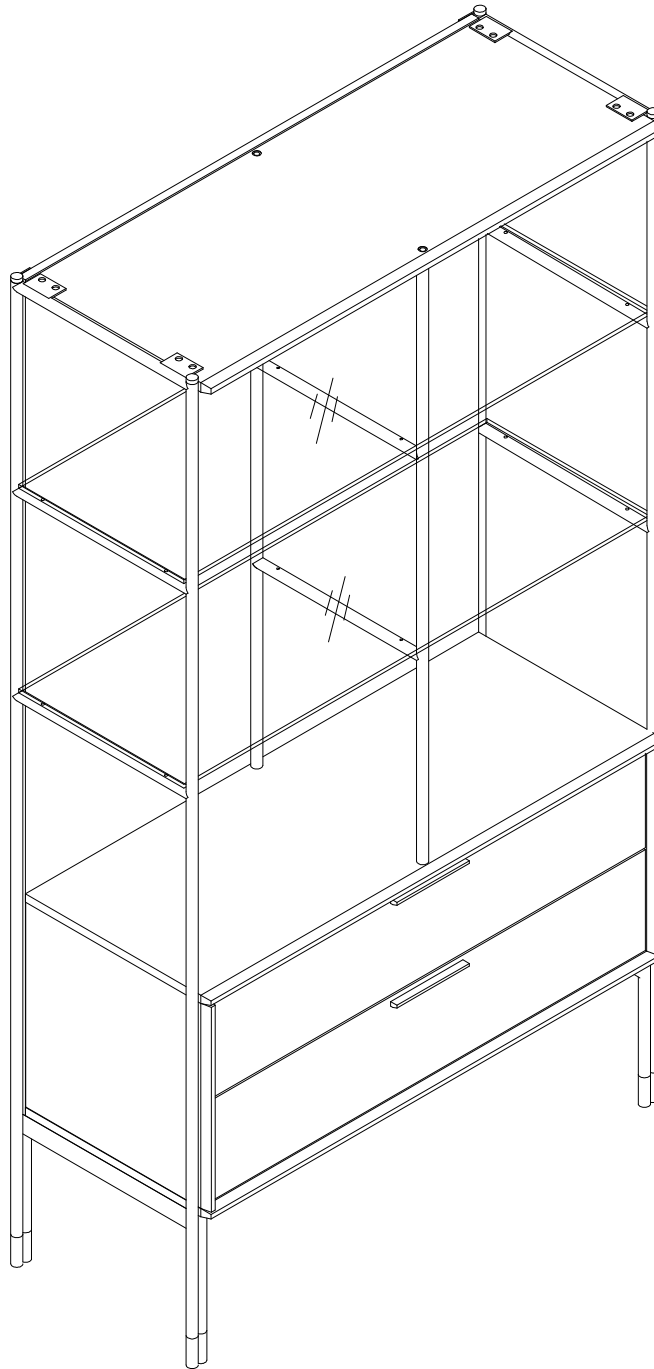
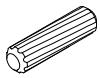
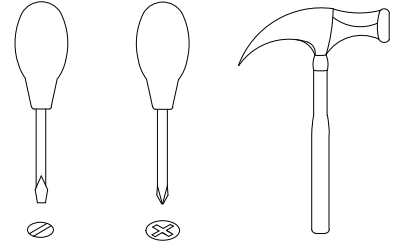
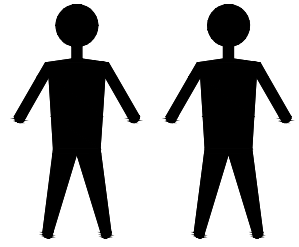


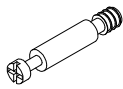
CP1710F11



CP1710F11-V/V



A x10
Spec: $\phi 8 \times 30$



B x14
Spec: $\phi 7 \times L30$



C x14
Spec: $\phi 15 \times H12$



D x12
Spec: $\phi 6 \times L28$



E x12
Spec: $\phi 12 \times H9$



F x12
Spec: $\phi 6 \times L9$



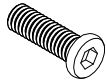
G x1
Spec: 5#



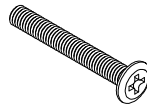
H x16
Spec: $\phi 6 \times 30$



I x26
Spec: $\phi 14 \times \phi 8$



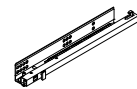
J x4
Spec: M8*25



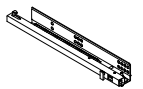
K x6
Spec: M6*50



L x16
Spec: M6*15



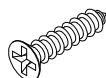
M x2
Spec: L350



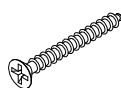
N x18
Spec: 3.8*L16



O x4
Spec: 3.8*L16



P x4
Spec: $\phi 3.8 \times L25$



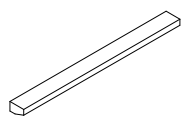
Q x8
Spec: $\phi 3.5 \times L35$



R x12
Spec:



S x14
Spec:



T x2
Spec: 169*15



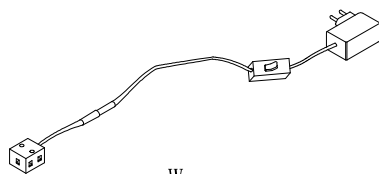
T1 x4
Spec: M4*L21



U x8
Spec: $\phi 15$



V x12
Spec:



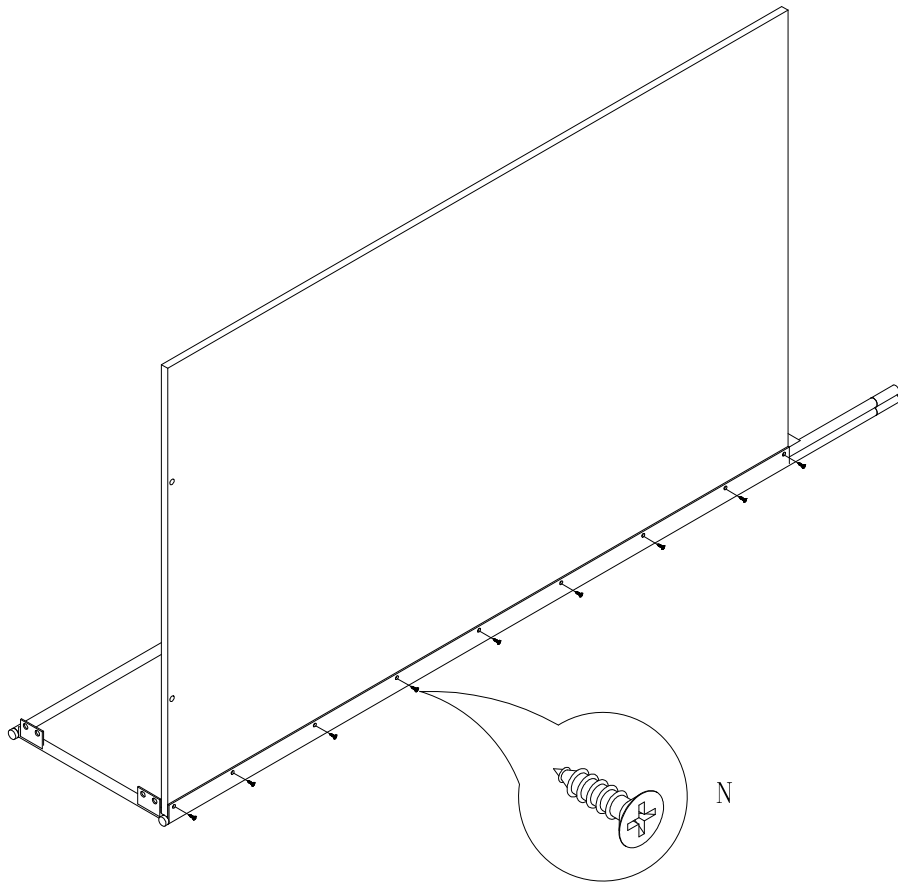
W x1
Spec:



X x4
Spec:

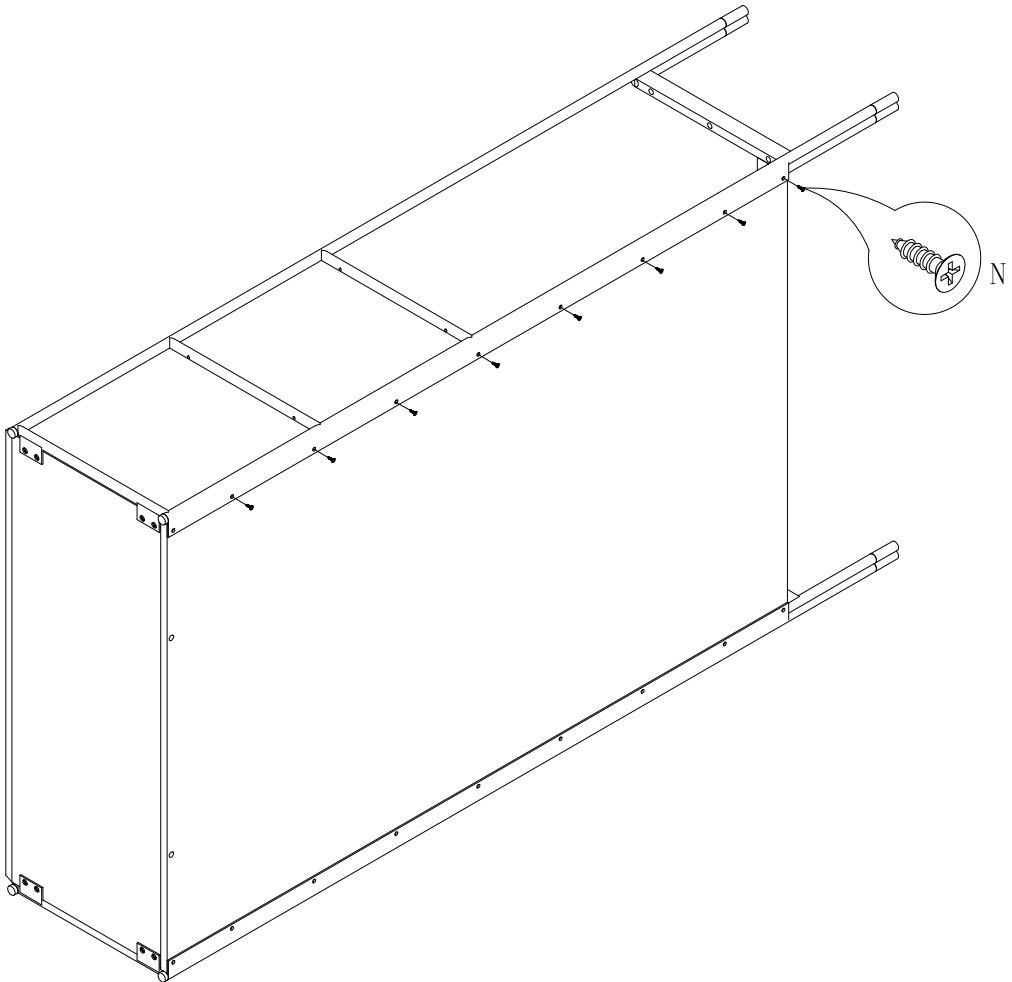


AAA x8
Spec: $\phi 3.8 \times L12$

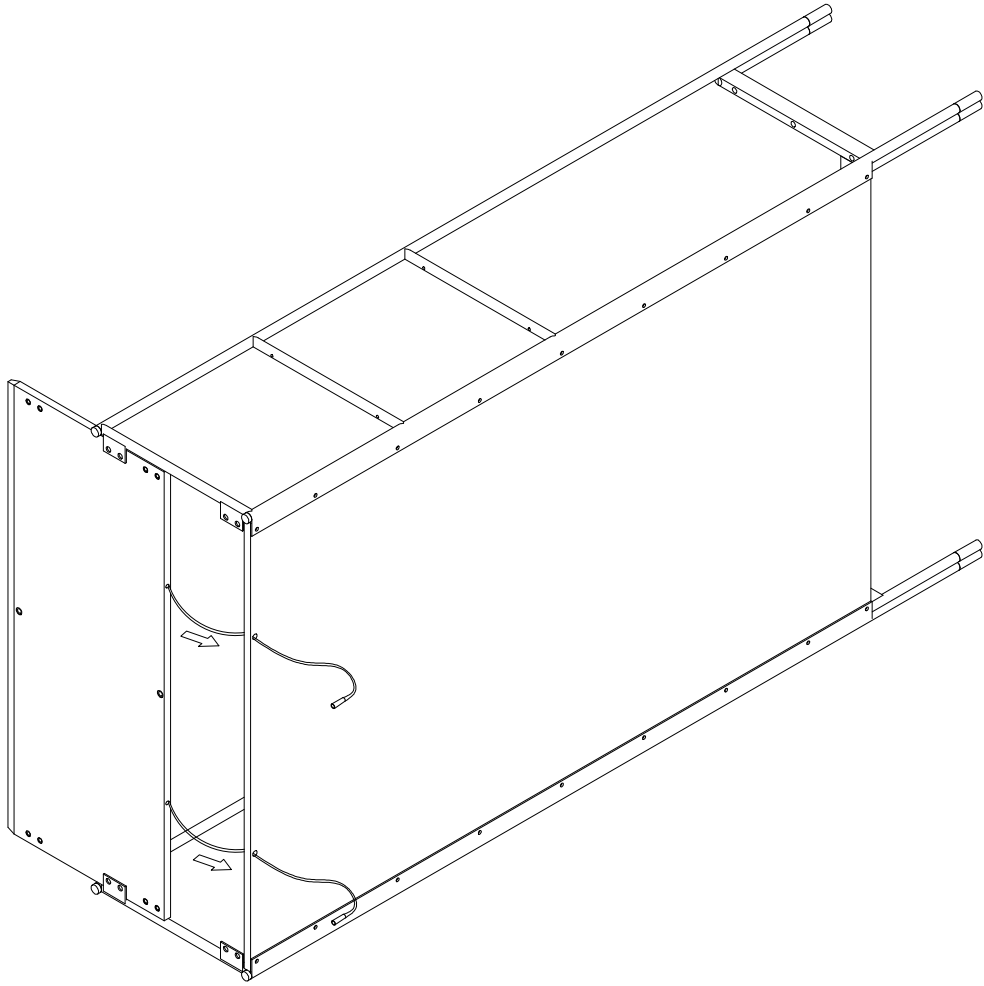


1

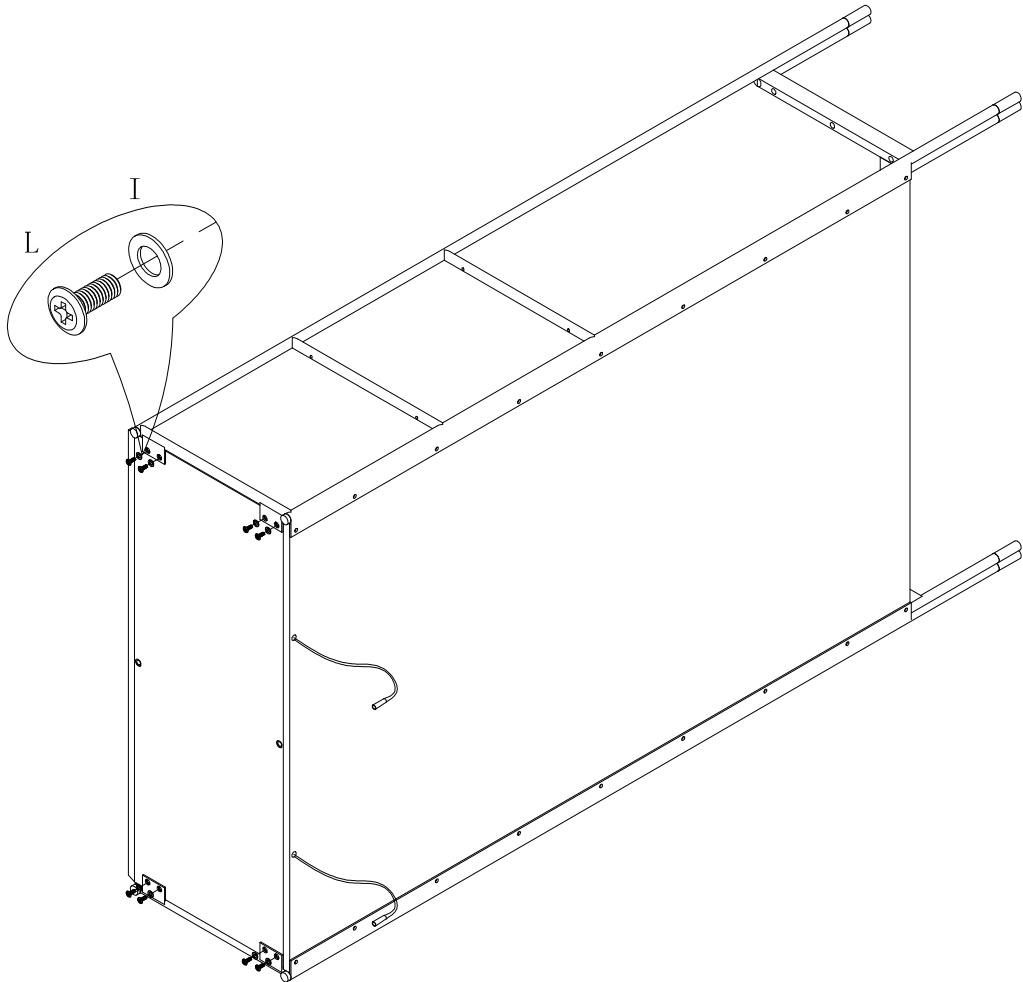
2

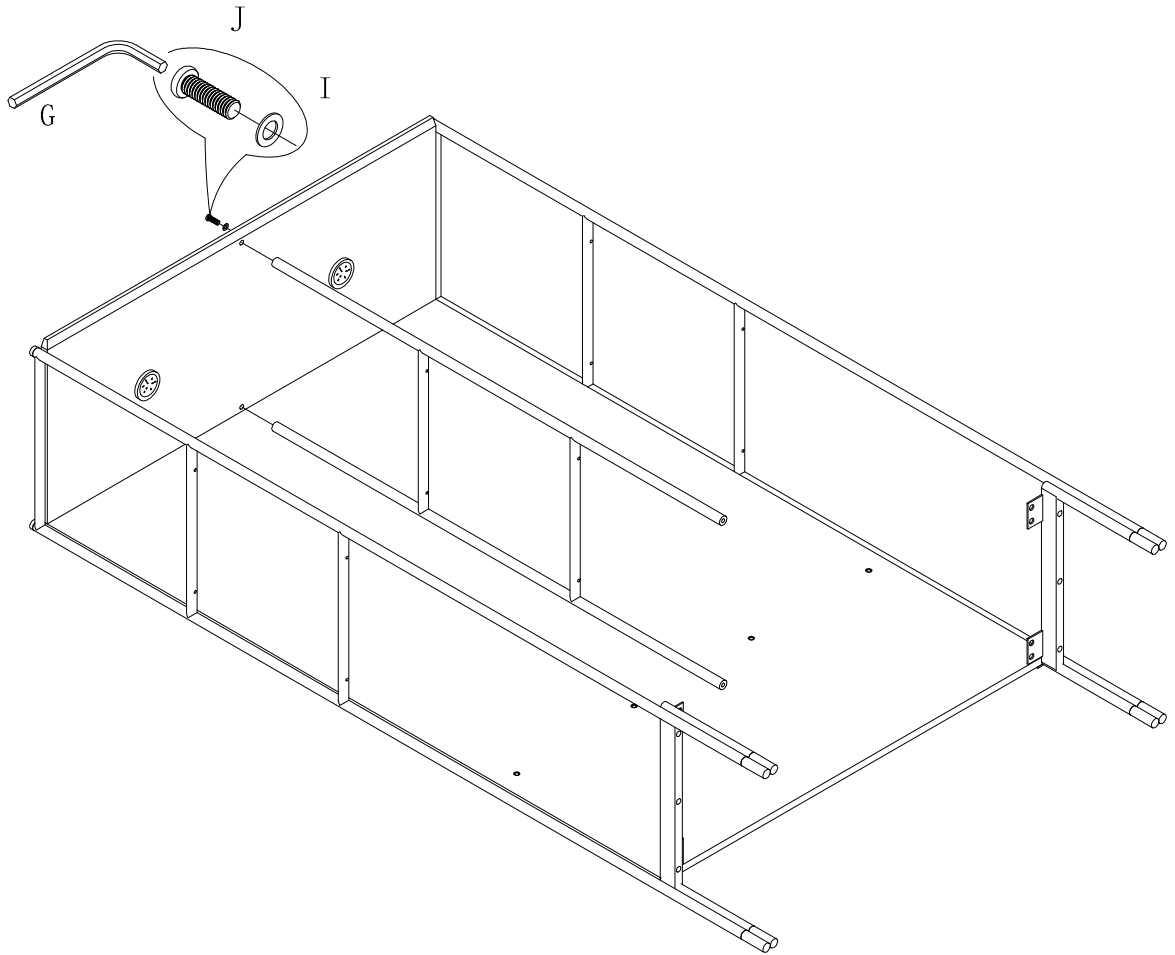


3



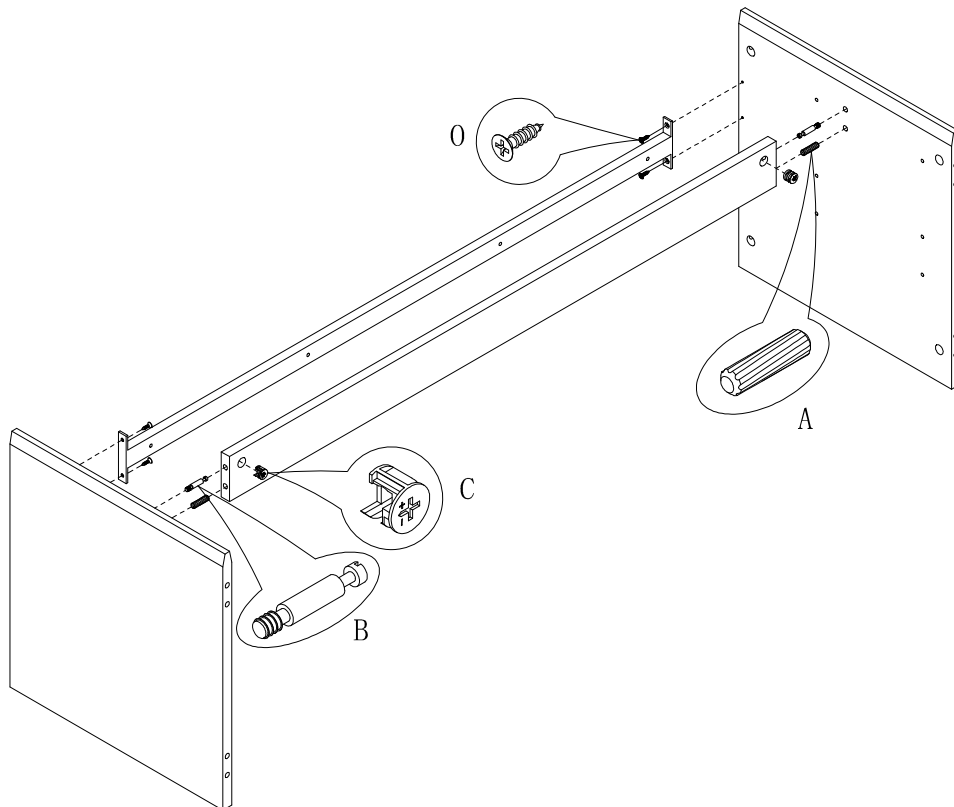
4

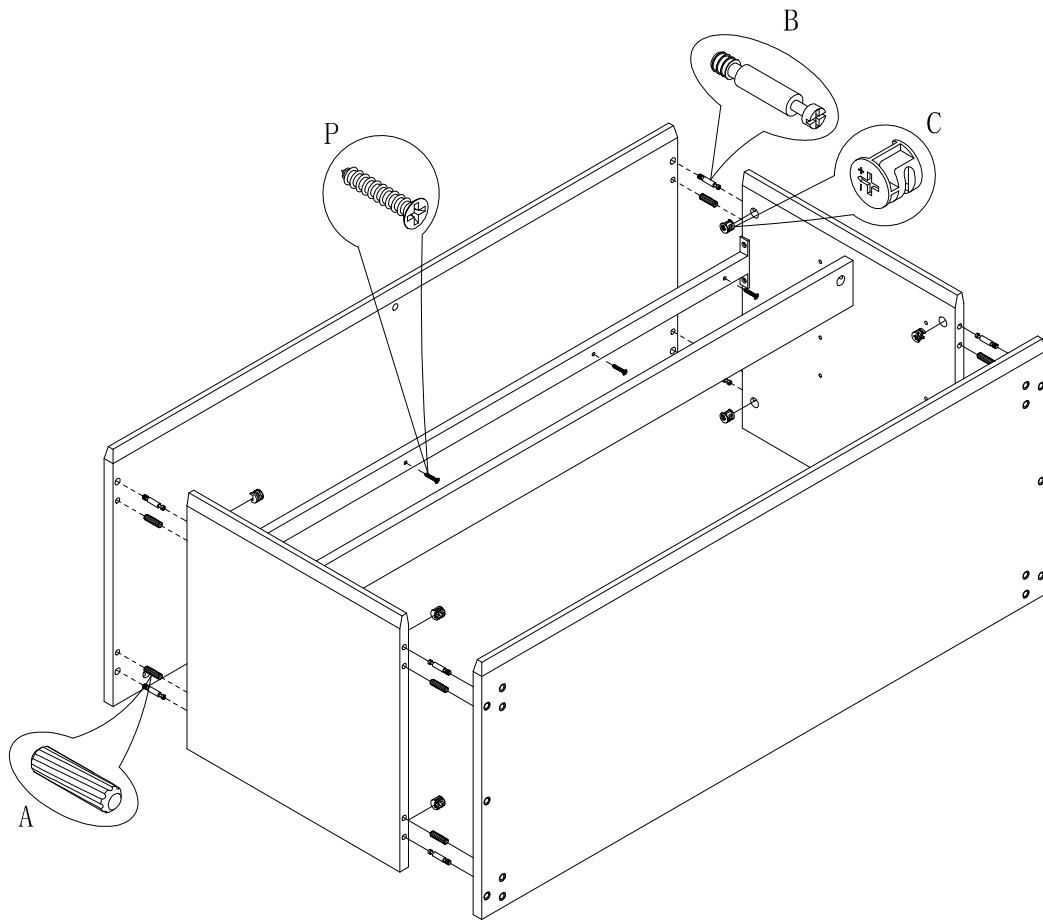




5

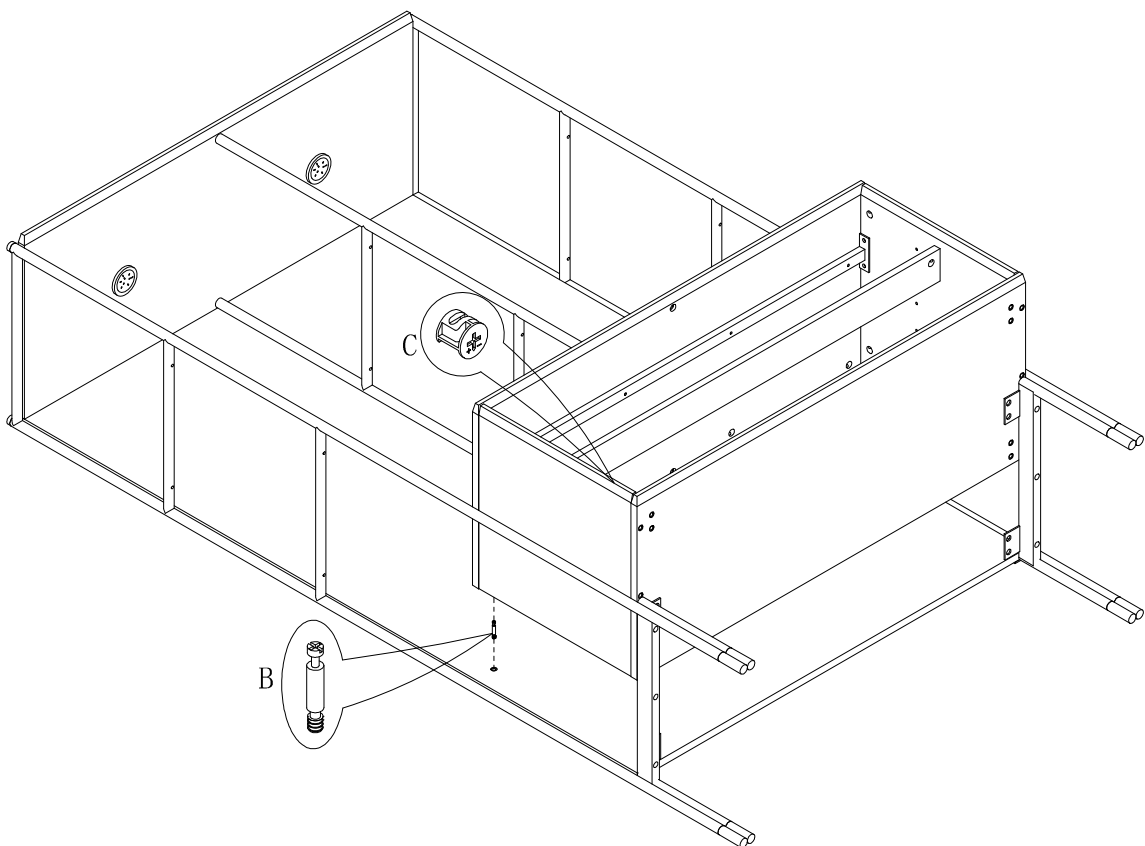
6

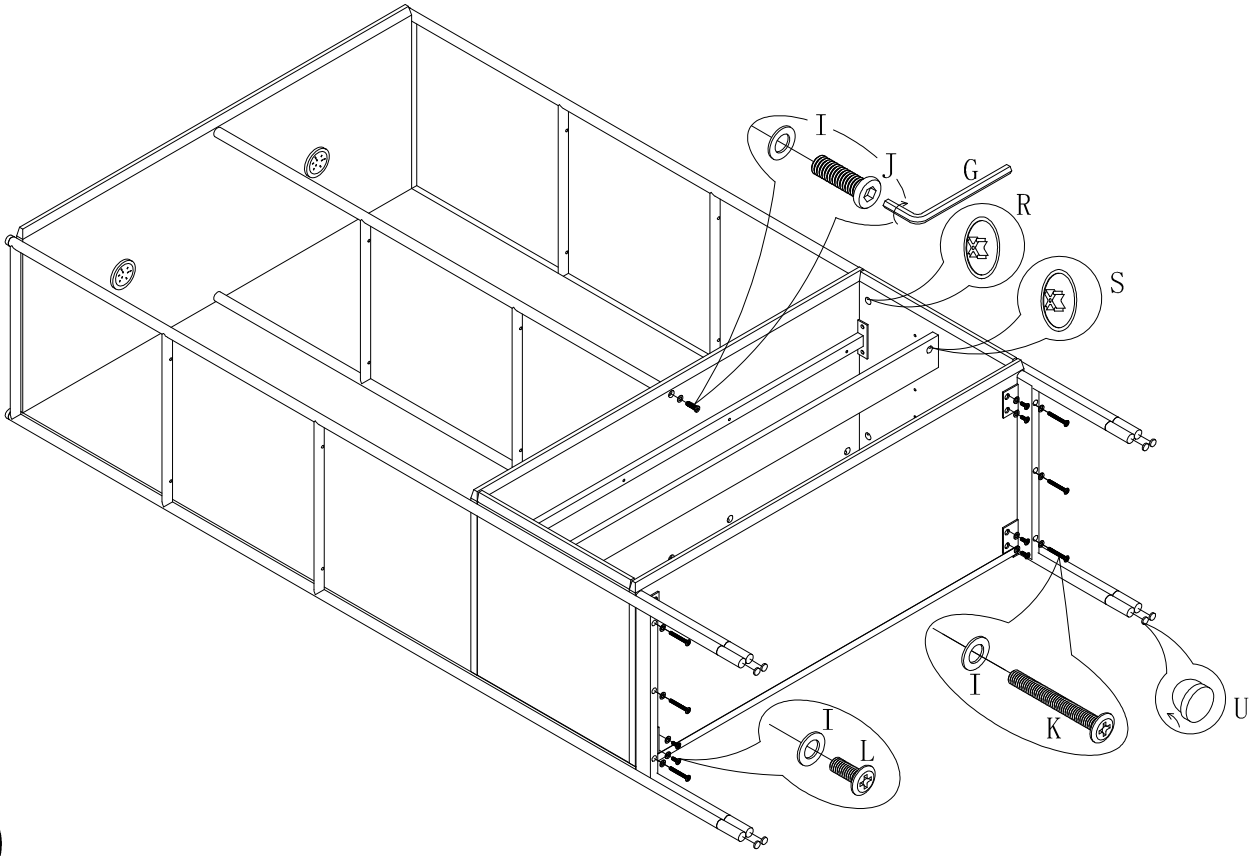




7

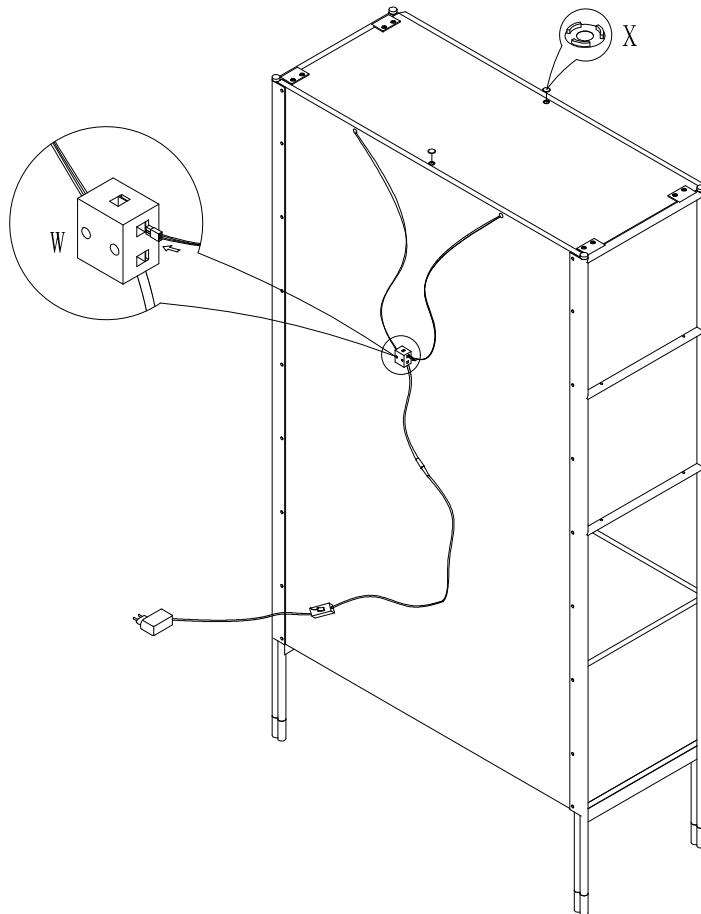
8

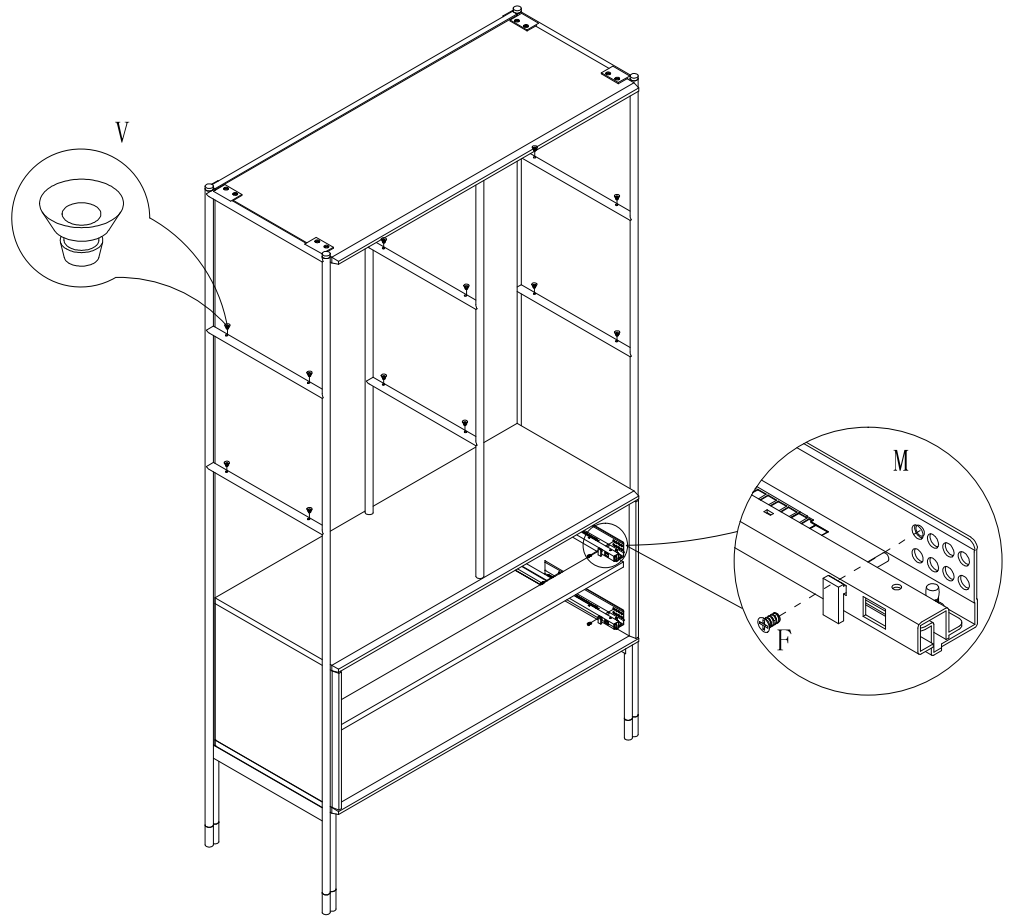




9

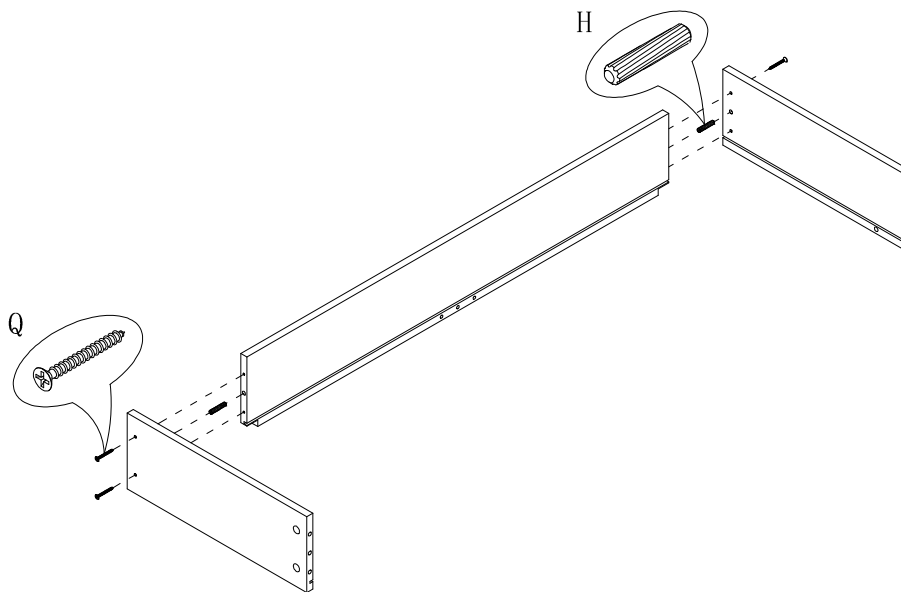
10

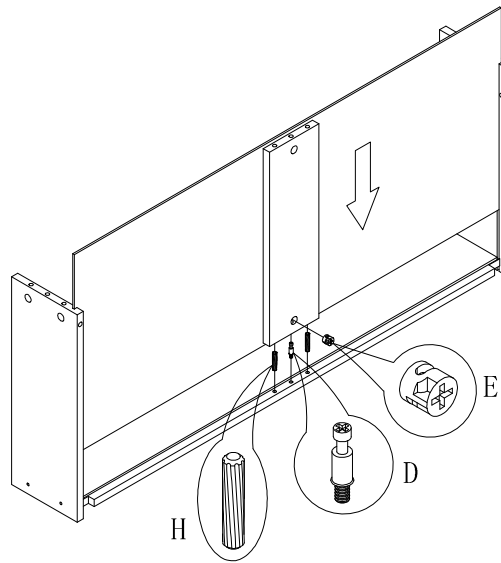




11

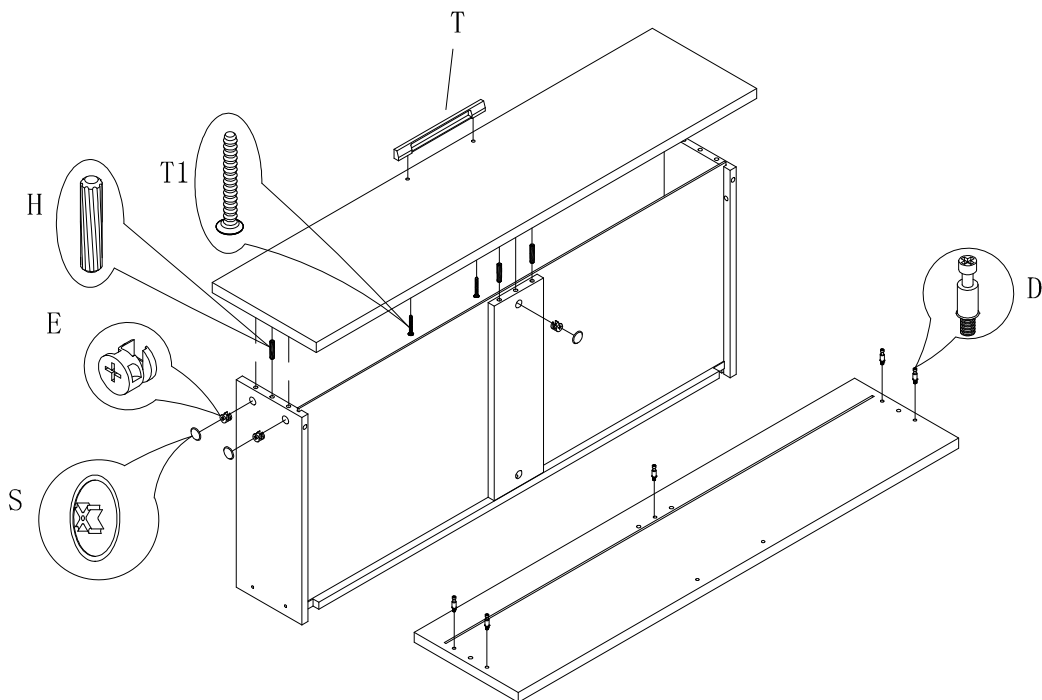
12

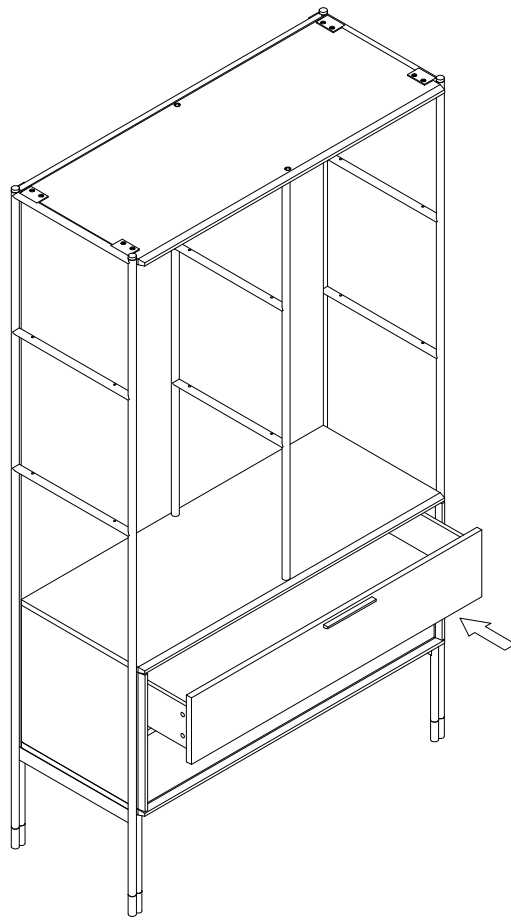




13

14





15

16

