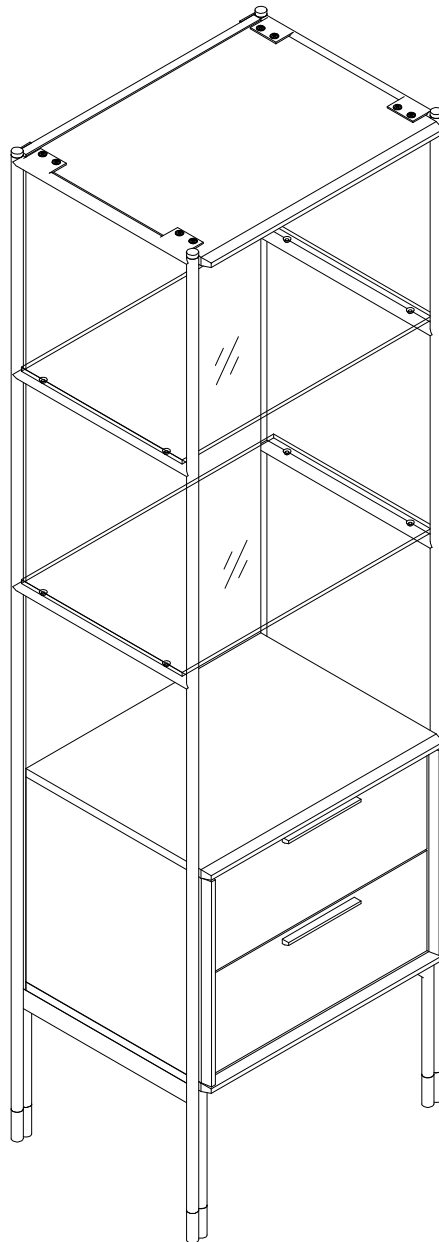
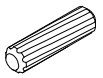
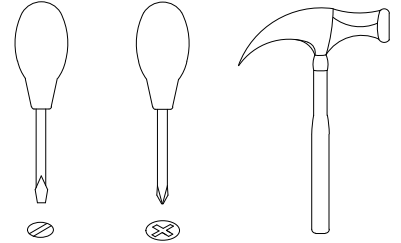
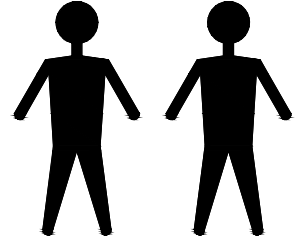


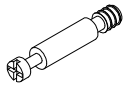
CP1710F1



CP1710F1



A x10
Spec: $\phi 8 \times 30$



B x12
Spec: $\phi 7 \times L30$



C x12
Spec: $\phi 15 \times H12$



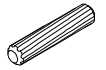
D x8
Spec: $\phi 6 \times L28$



E x8
Spec: $\phi 12 \times H9$



F x12
Spec: $\phi 6 \times L9$



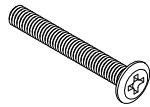
H x8
Spec: $\phi 6 \times 30$



I x22
Spec: $\phi 14 \times \phi 8$



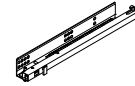
J x8
Spec:



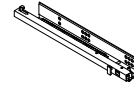
K x6
Spec: M6*50



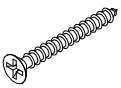
L x16
Spec: M6*15



M x2
Spec: L350



N x18
Spec: 3.8*L16



P x8
Spec: $\phi 3.5 \times L35$



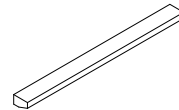
Q x8
Spec: $\phi 15$



R x10
Spec:



S x10
Spec:



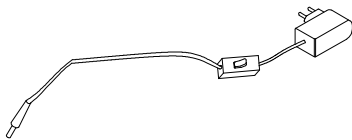
T x2
Spec: 169*15



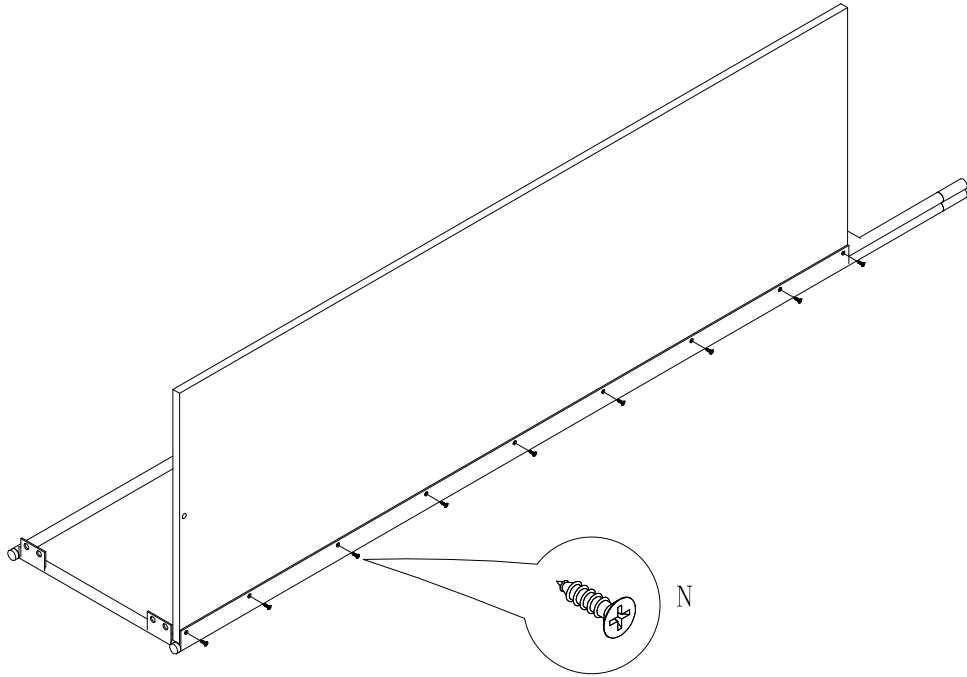
U x4
Spec: M4*L21



AAA x8
Spec: $\phi 3.8 \times L12$

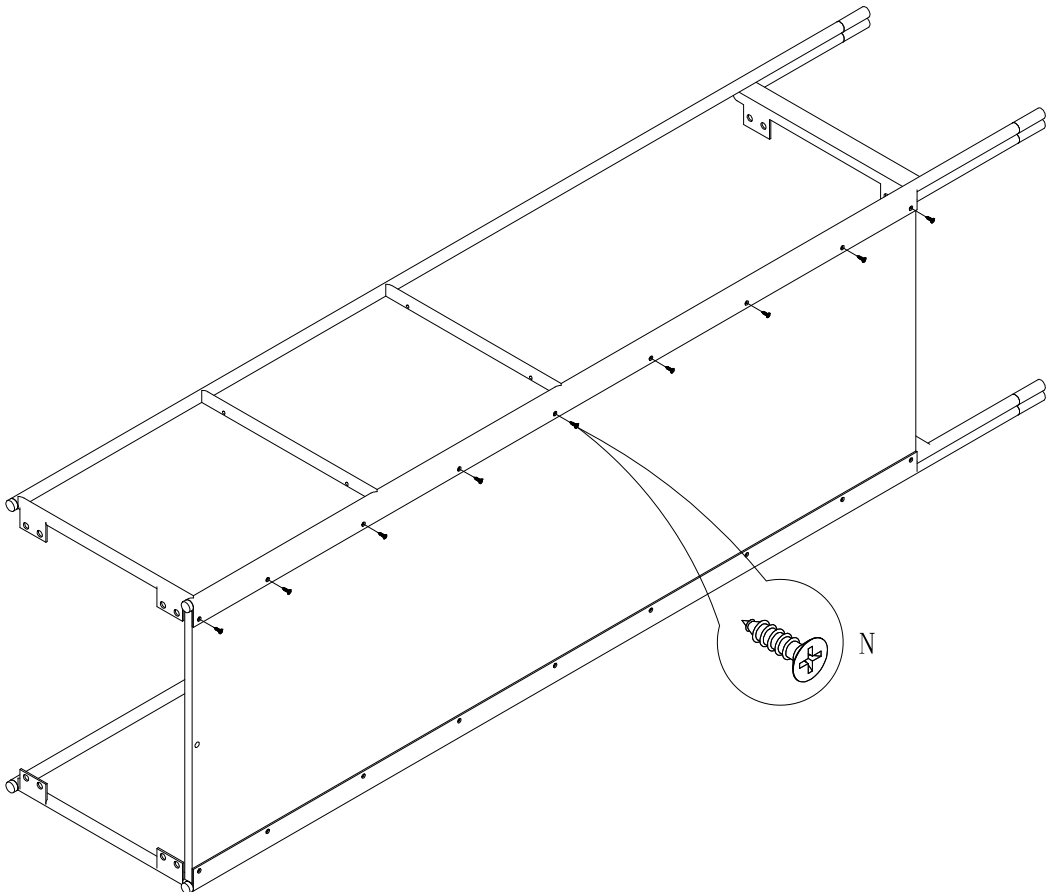


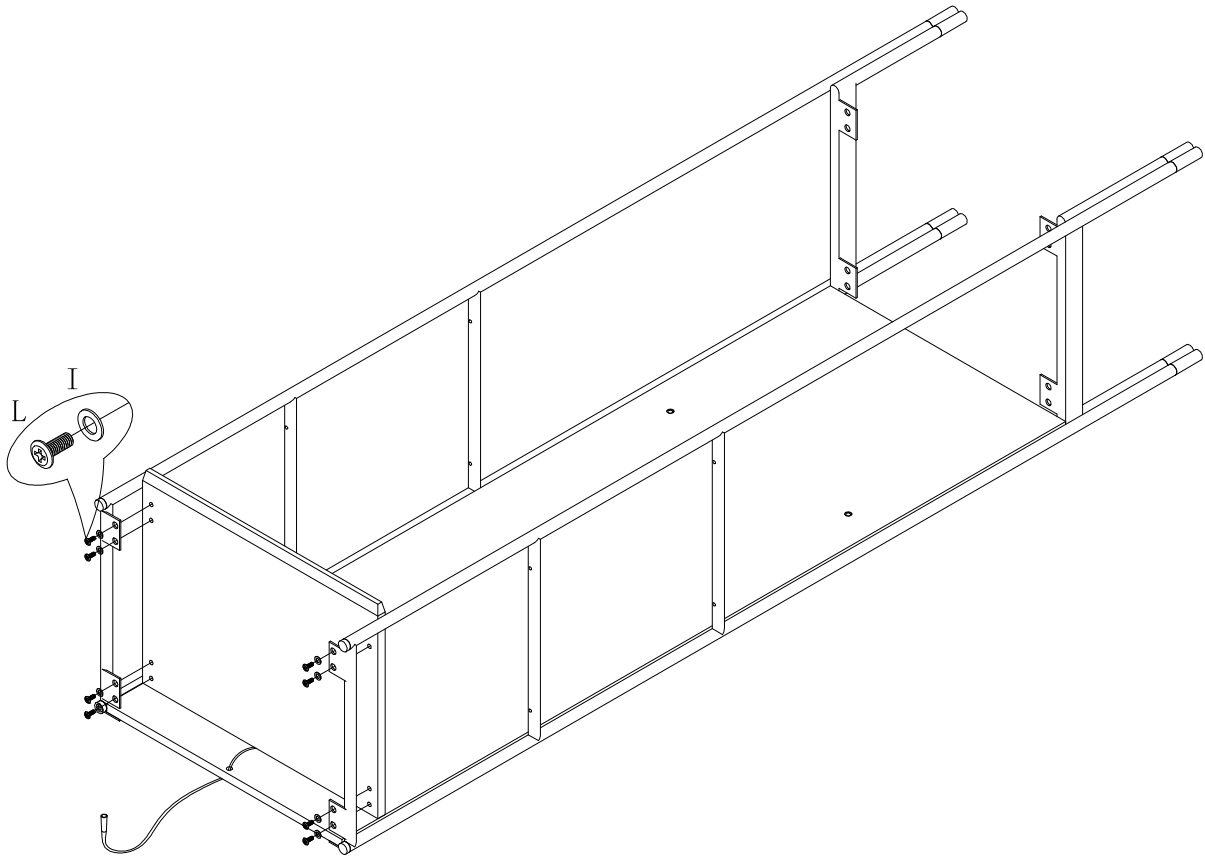
V x1
Spec:



1

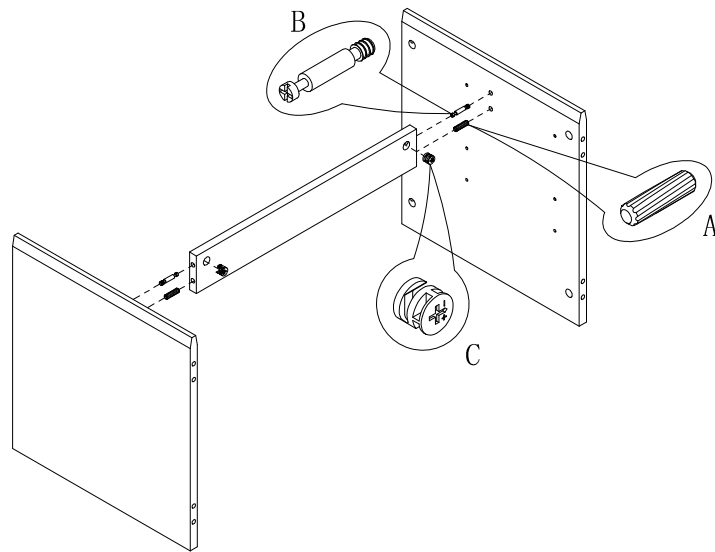
2

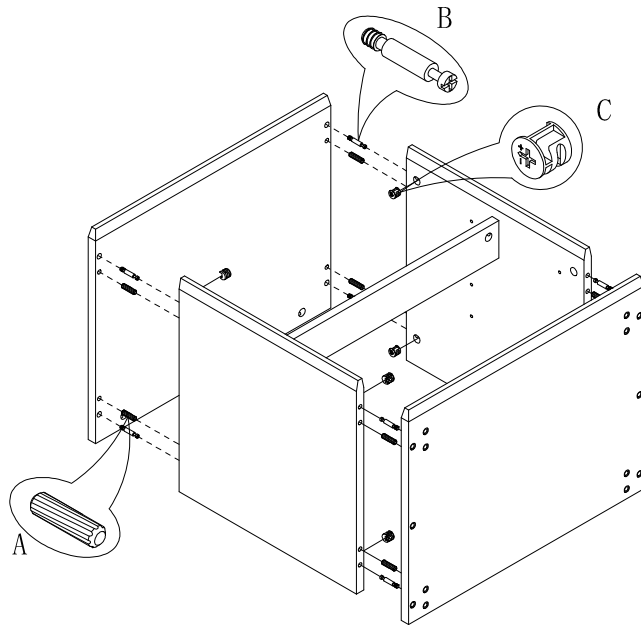




3

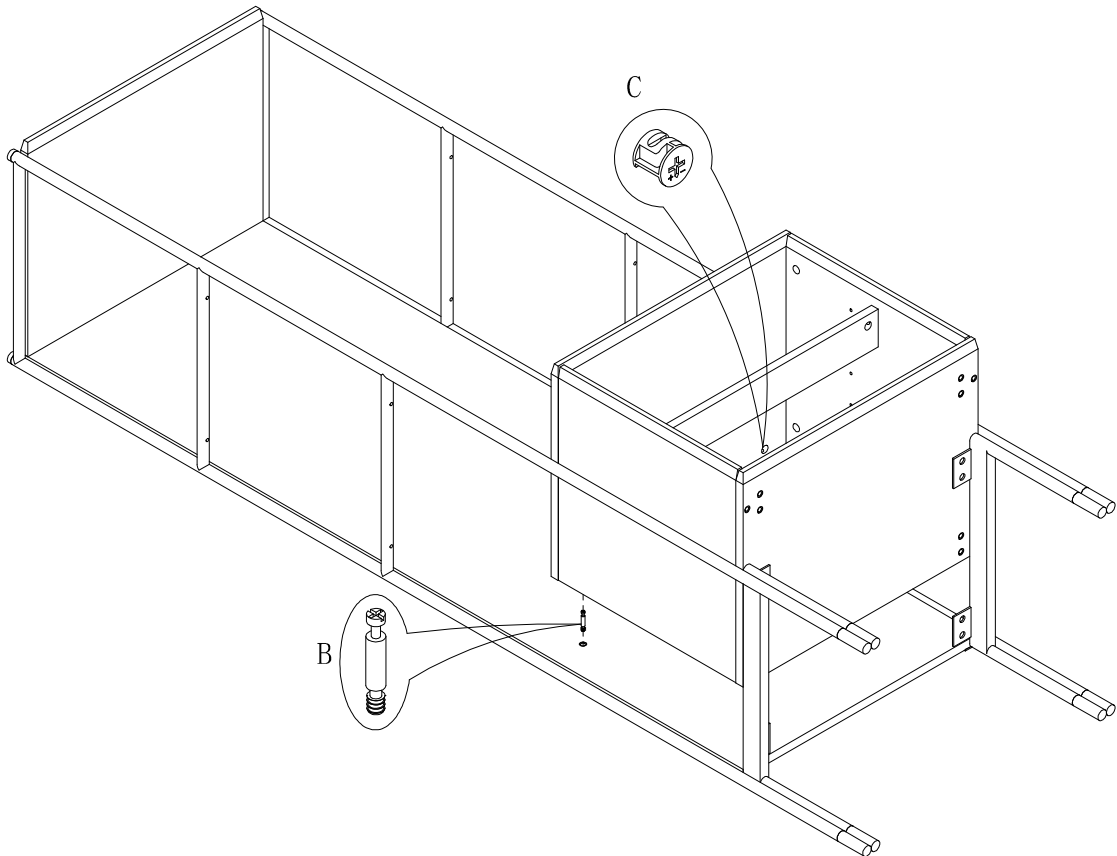
4

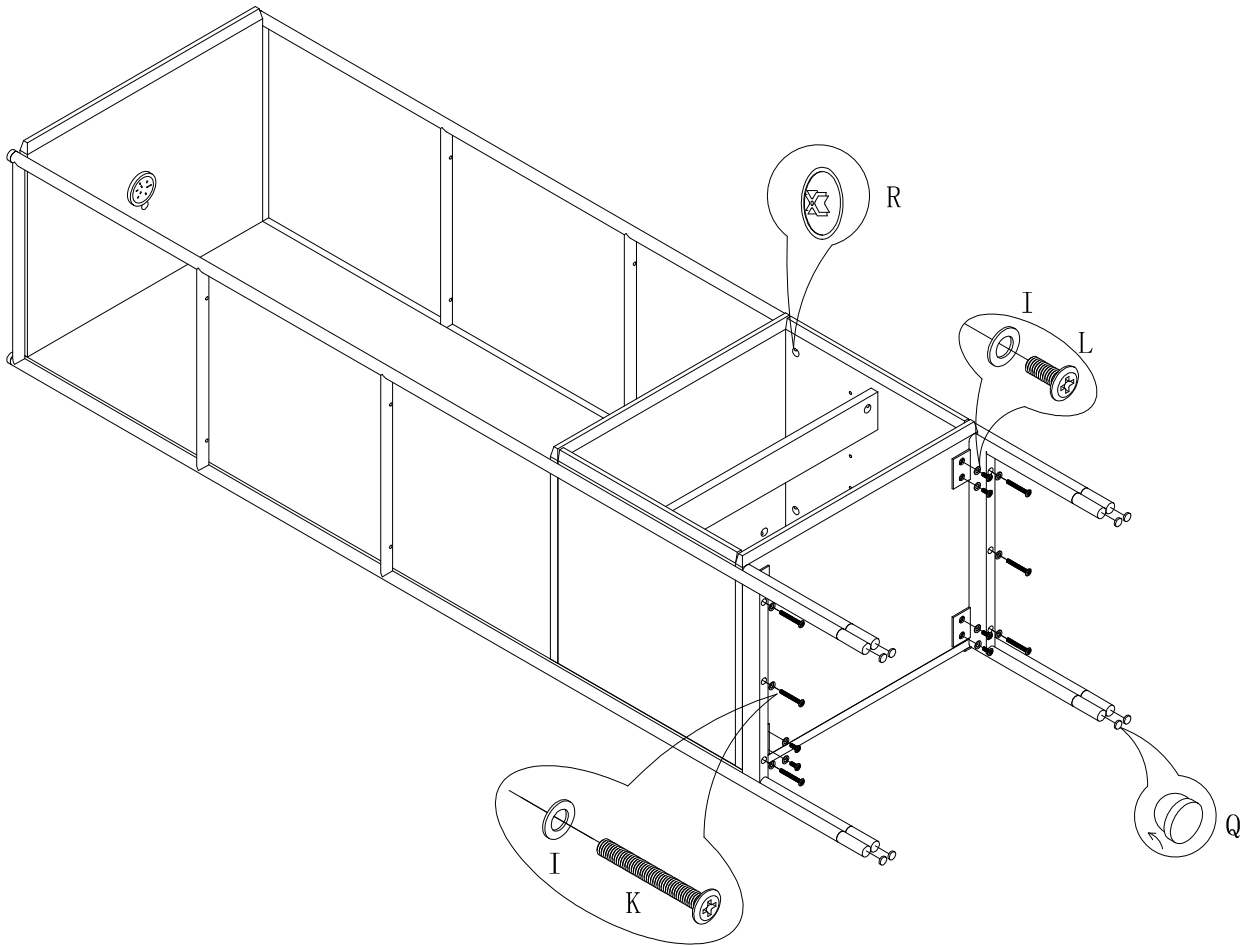




5

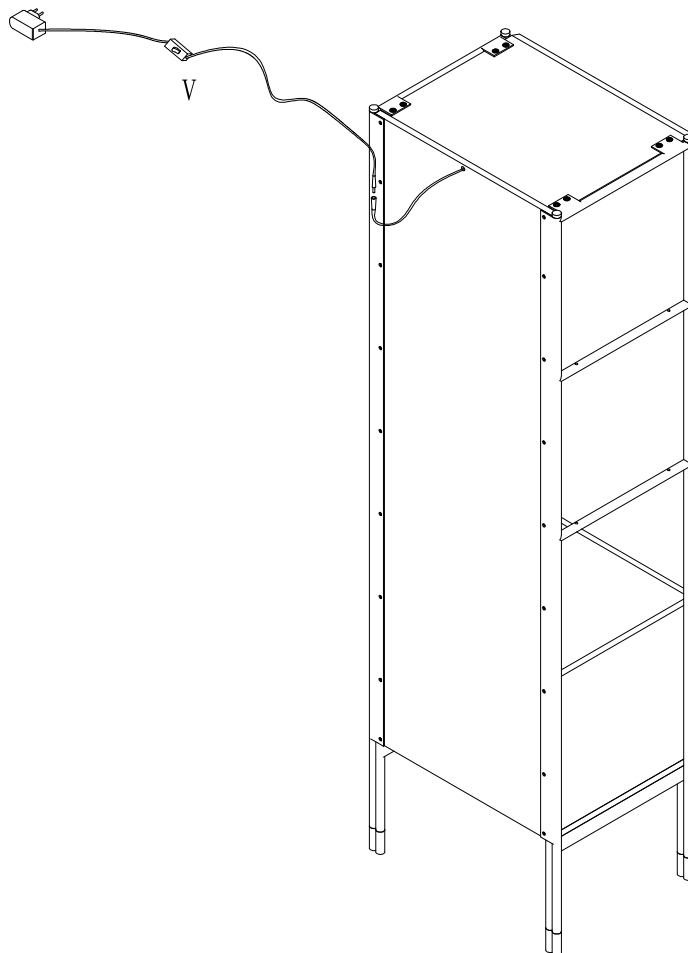
6

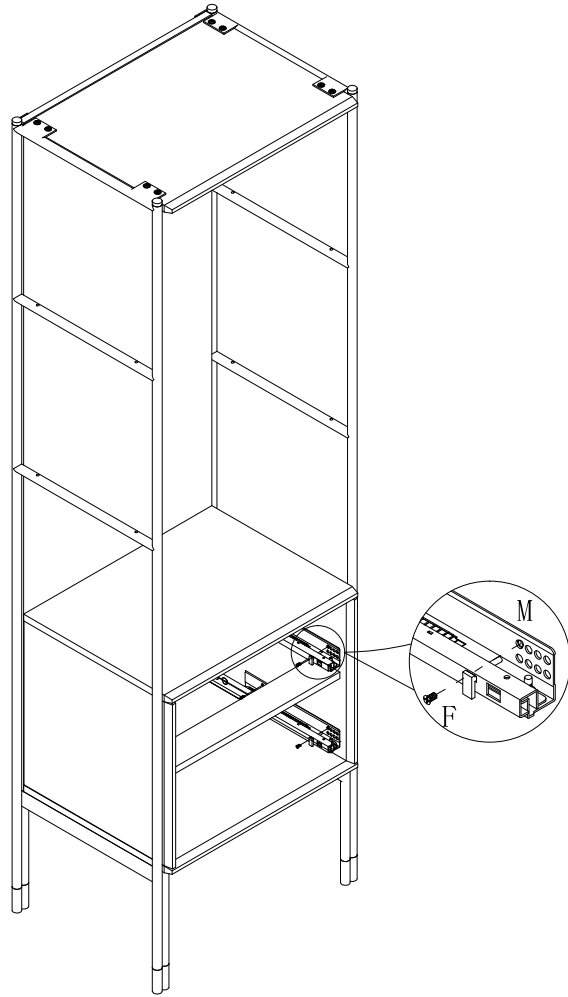




7

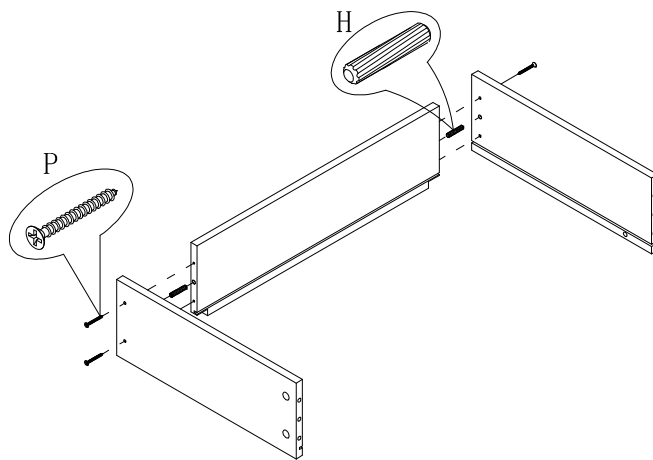
8

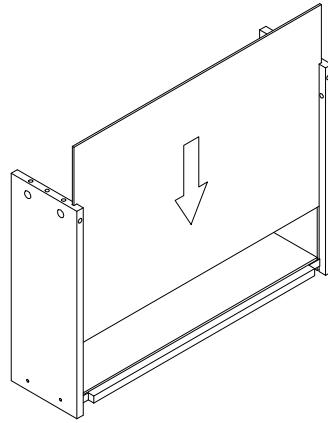




9

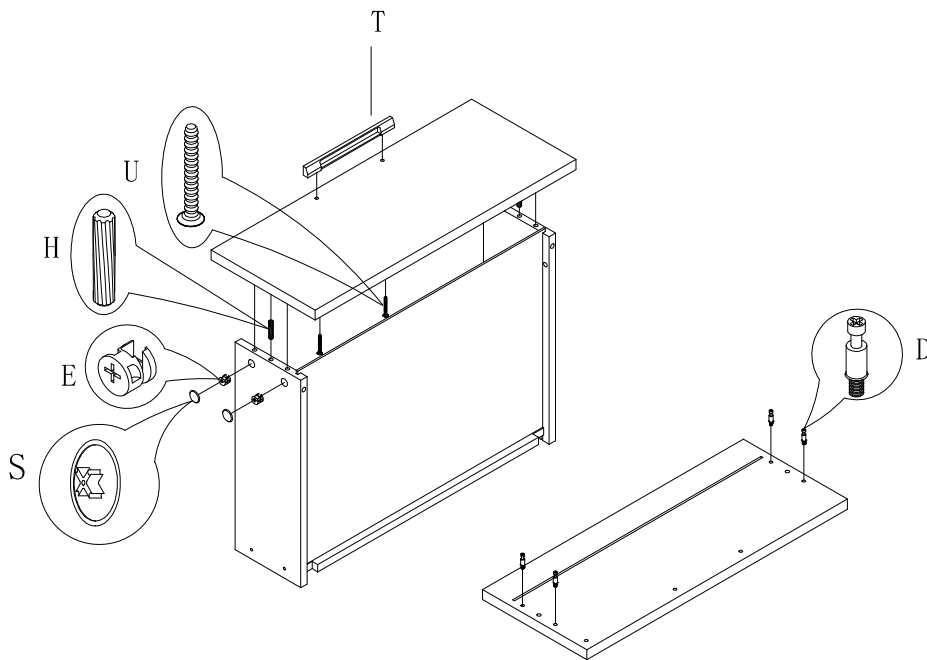
10

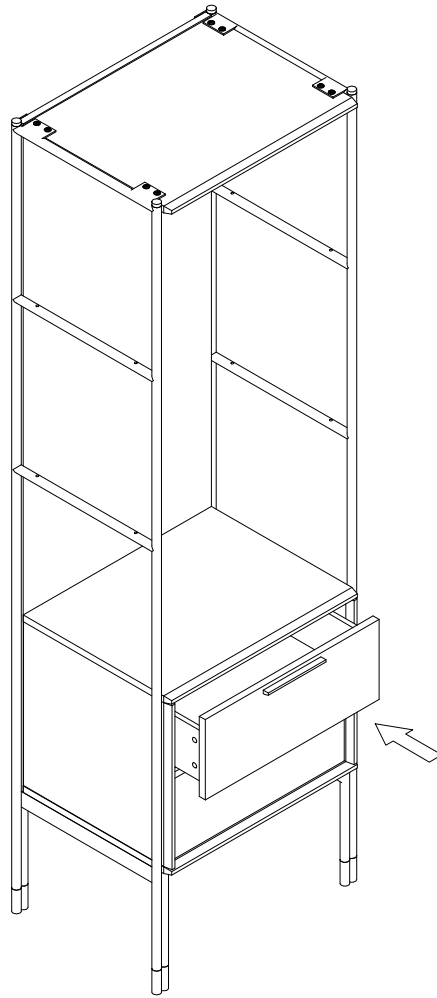




11

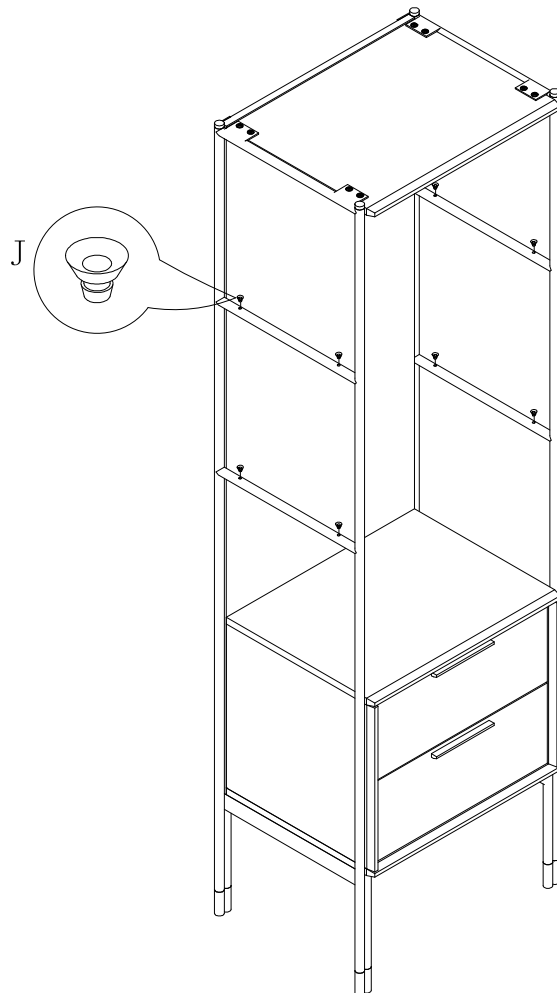
12





13

14



15

