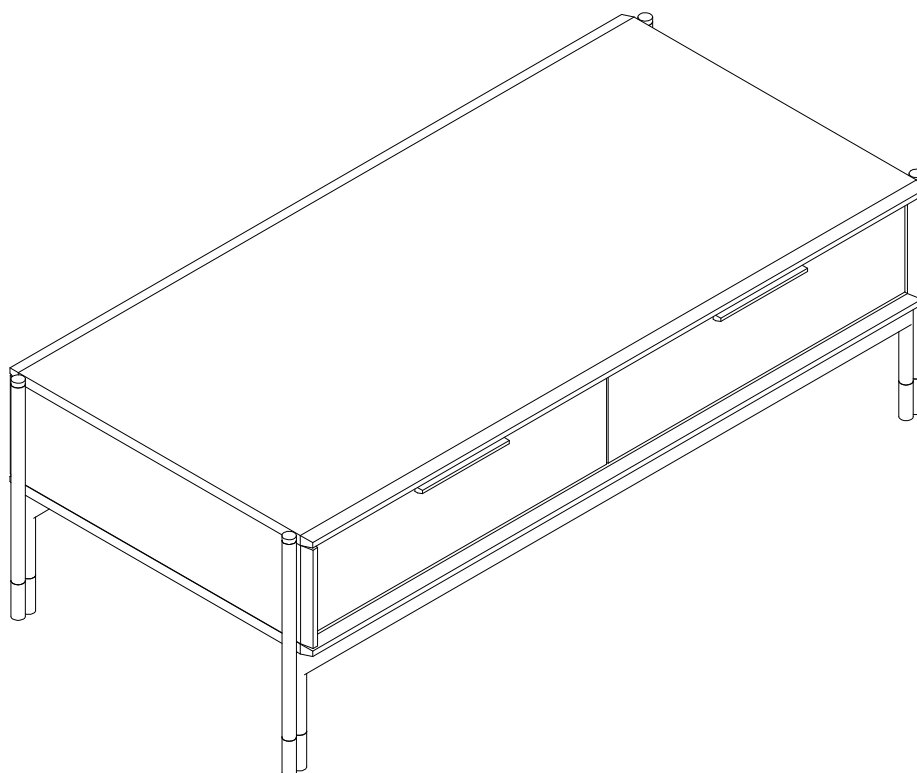


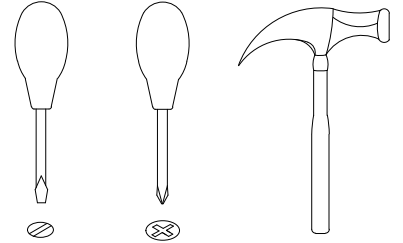
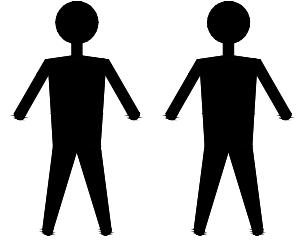


CP1710G-HA

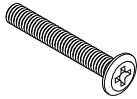


EAC

CP1710G-HA



A x18
Spec: $\phi 14 \times \phi 8$



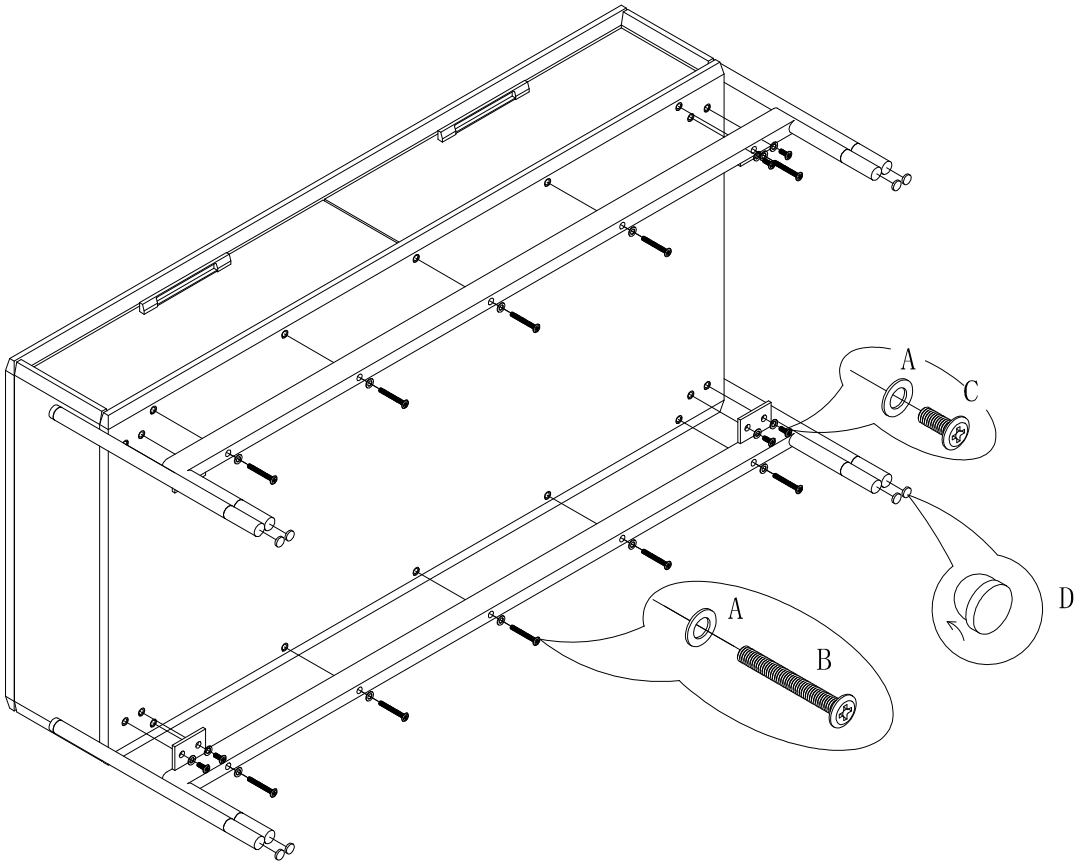
B x10
Spec: M6*50



C x8
Spec: M6*15



D x8
Spec: $\phi 15$



1