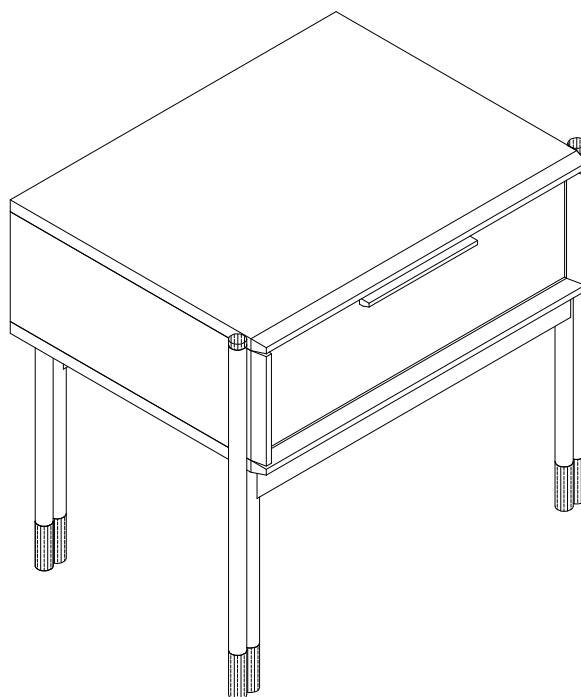


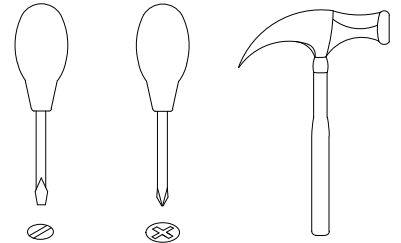
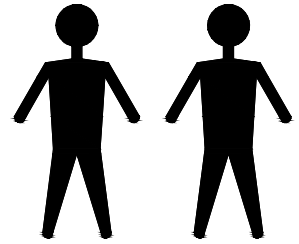


# CP1710H-55

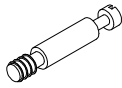


**EAC**

# # CP1710H-55



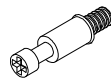
A x8  
Spec:  $\varnothing 8 * 30$



B x8  
Spec:  $\varnothing 7 * L30$



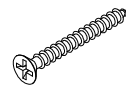
C x8  
Spec:  $\varnothing 15 * H12$



D x4  
Spec:  $\varnothing 6 * L28$



E x4  
Spec:  $\varnothing 12 * H9$



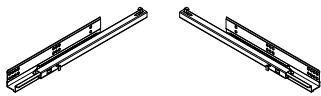
F x4  
Spec:  $\varnothing 3.5 * L35$



G x12  
Spec:



H x6  
Spec:  $\varnothing 6 * L8$



I x1  
Spec: L300



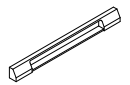
J x4  
Spec:  $\varnothing 3.5 * L16$



K x4  
Spec: H13



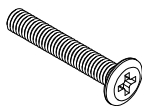
L x2  
Spec:  $M4 * L21$



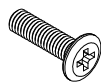
M x1  
Spec: L169



N x16  
Spec:  $\varnothing 8 * \varnothing 14$



O x8  
Spec:  $M6 * 50$



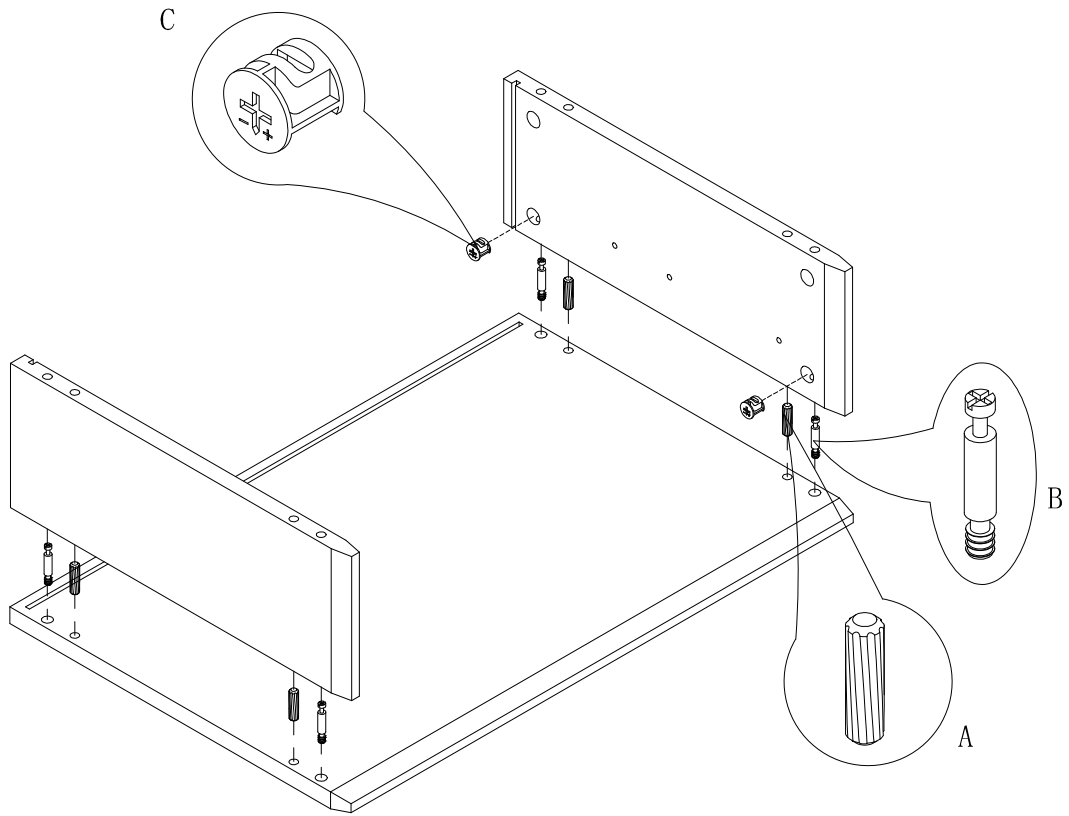
P x8  
Spec:  $M6 * 15$



Q x8  
Spec:  $\varnothing 15 * 3$

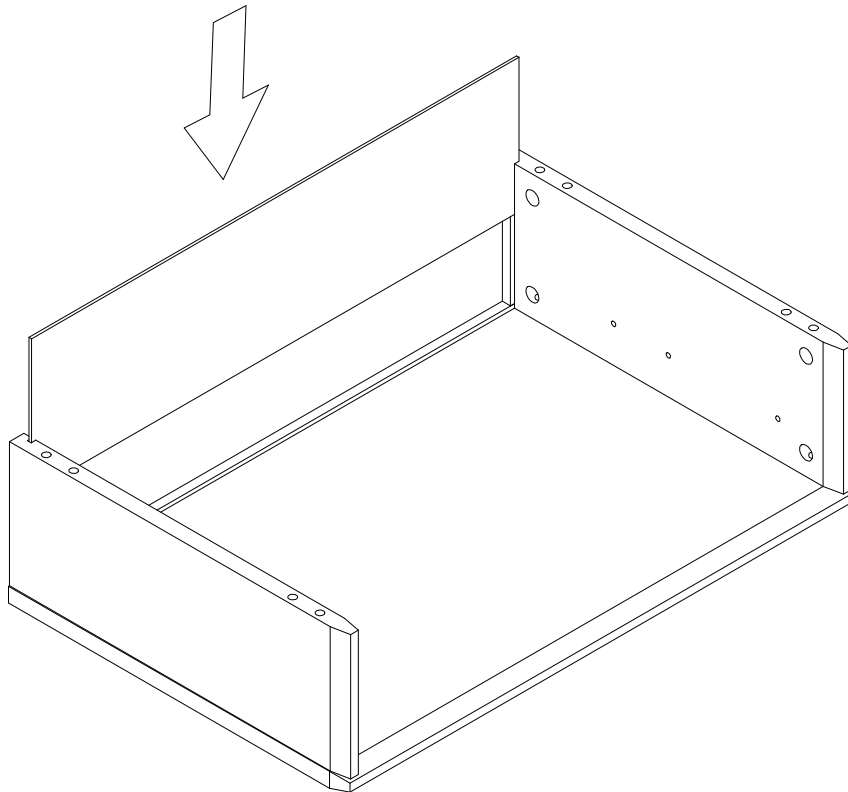


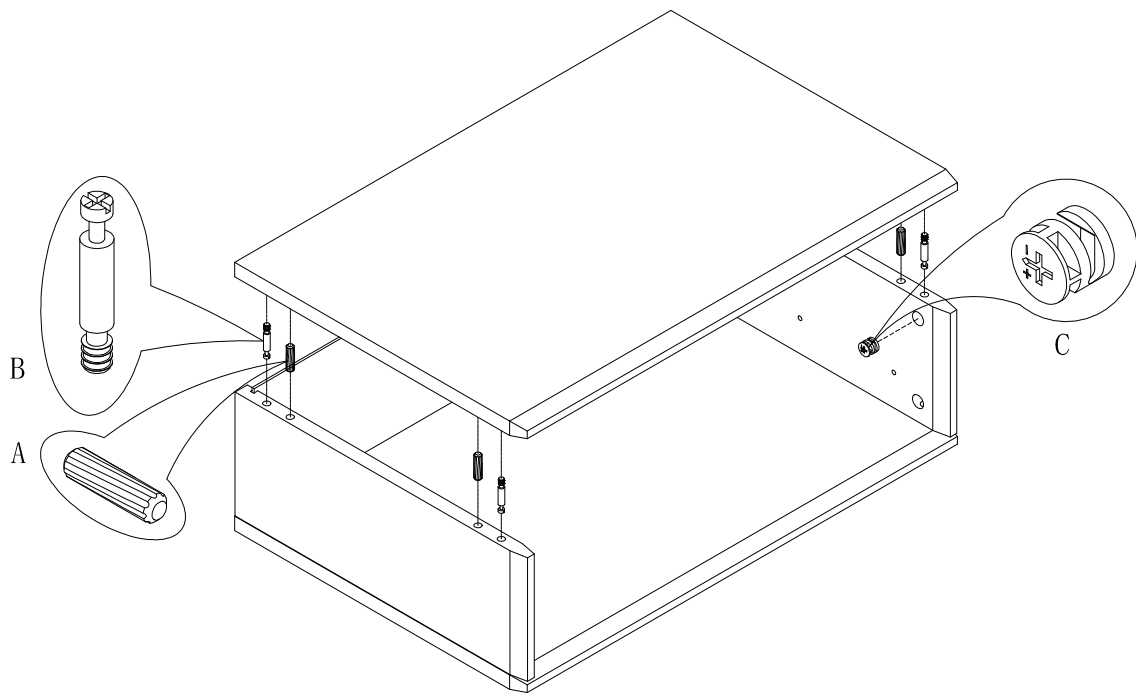
AAA x4  
Spec:  $\varnothing 3.8 * L12$



1

2

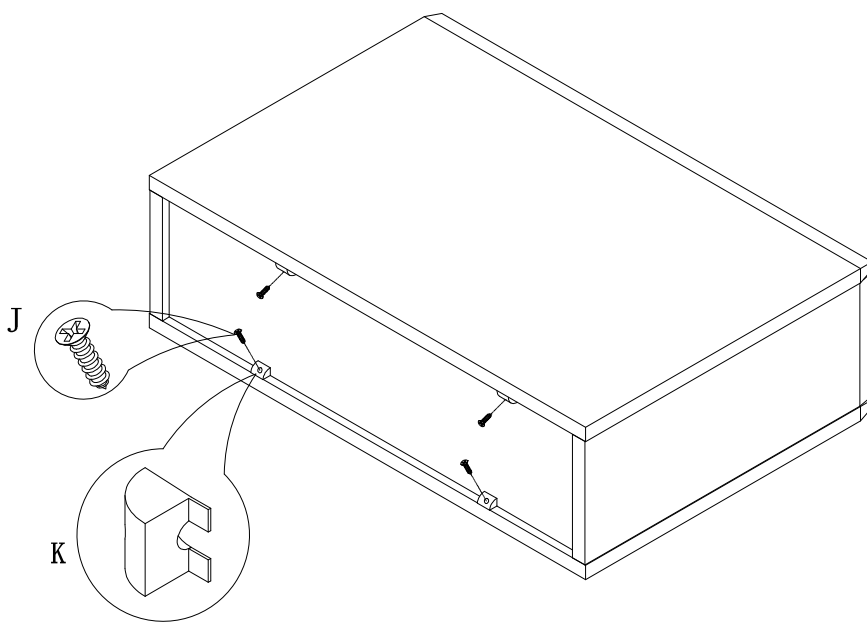


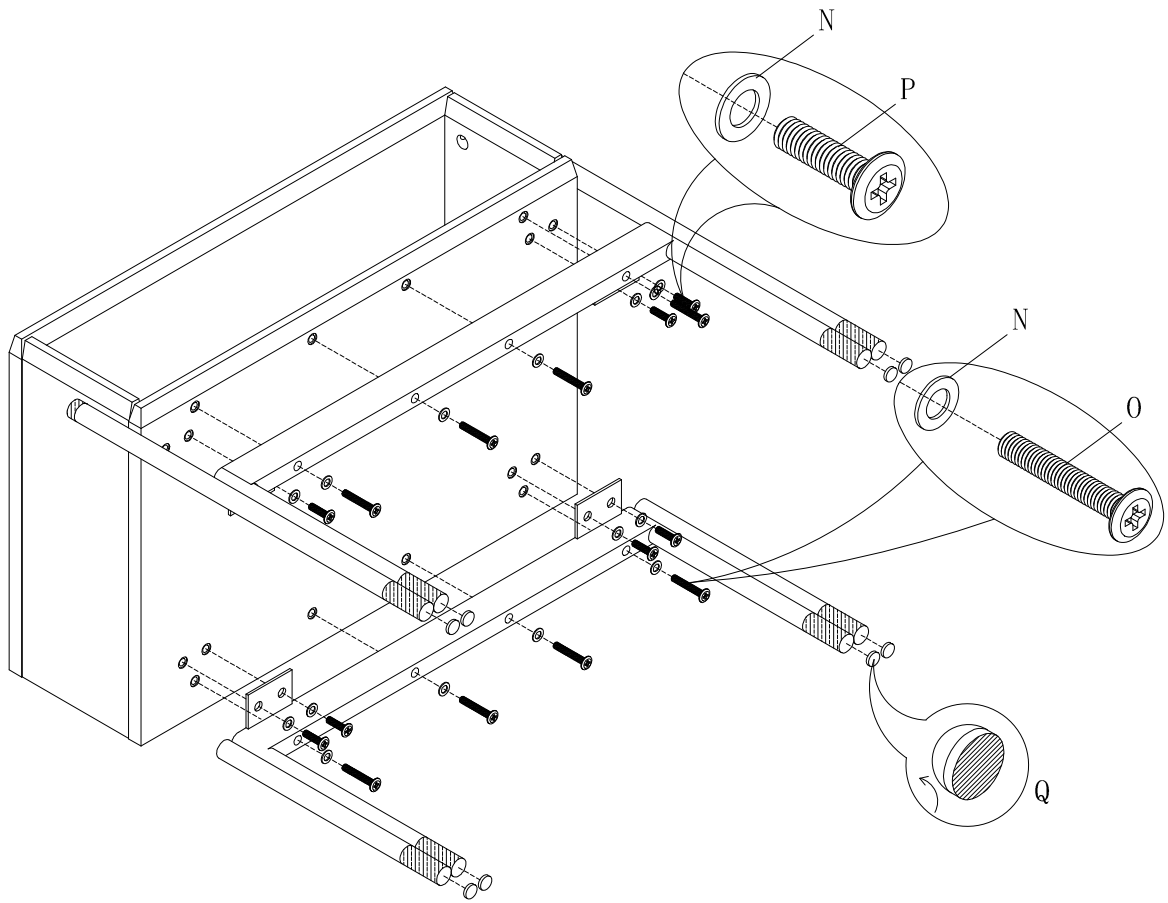


3

---

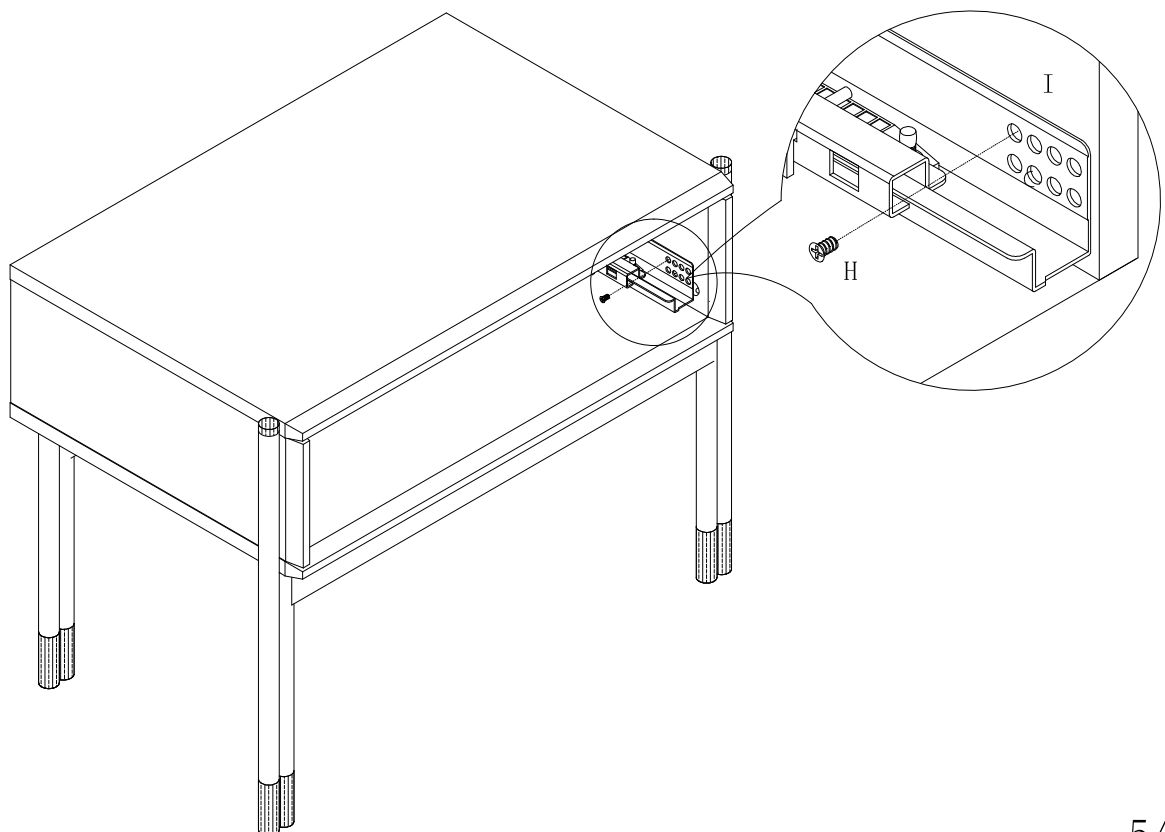
4

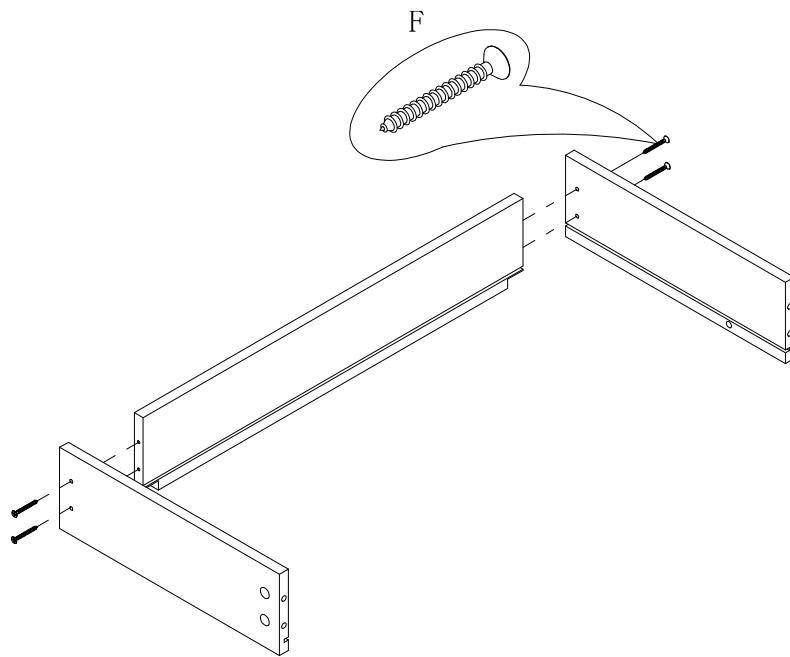




5

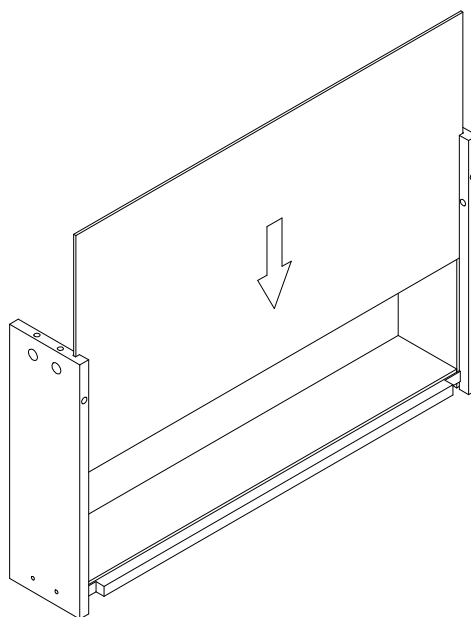
6

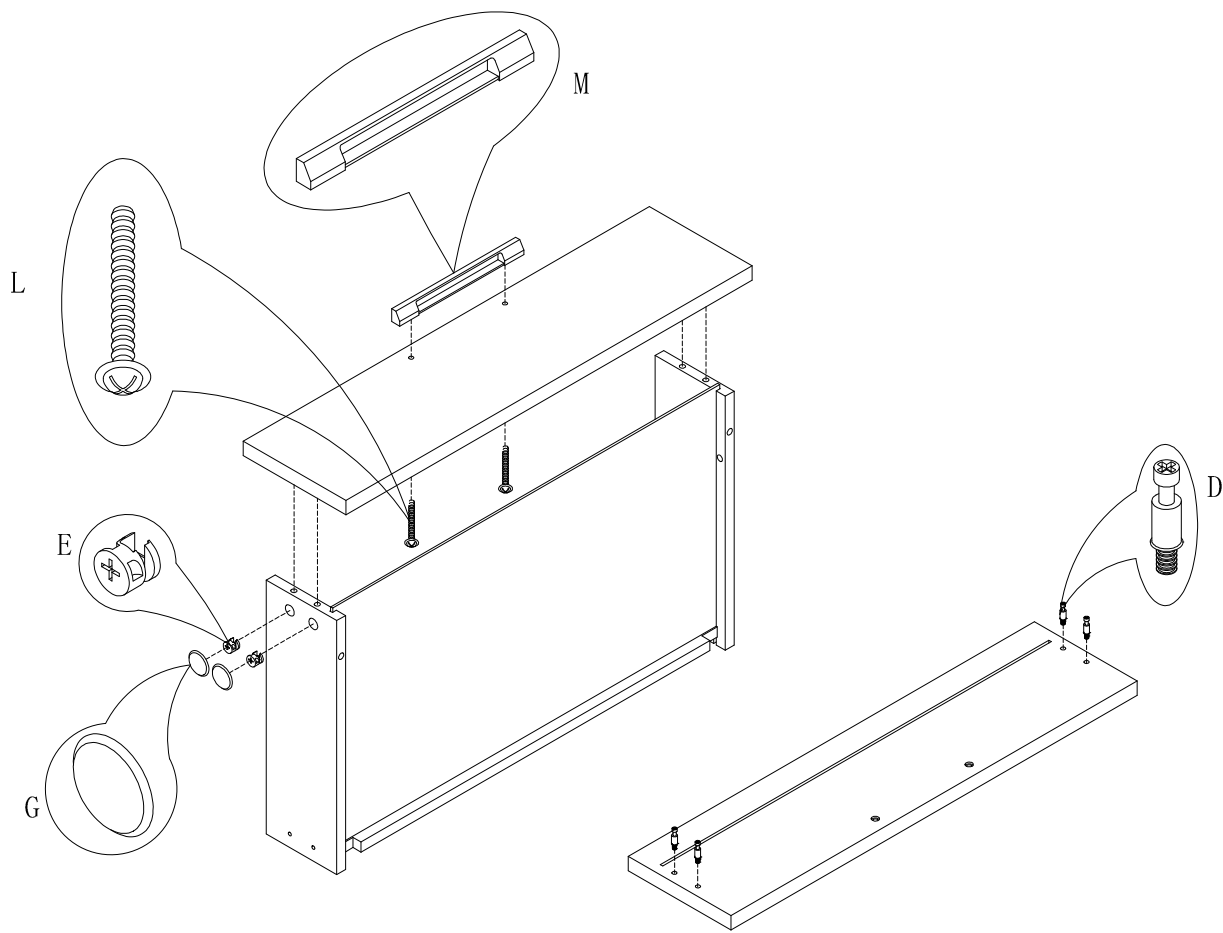




7

8





9

10

