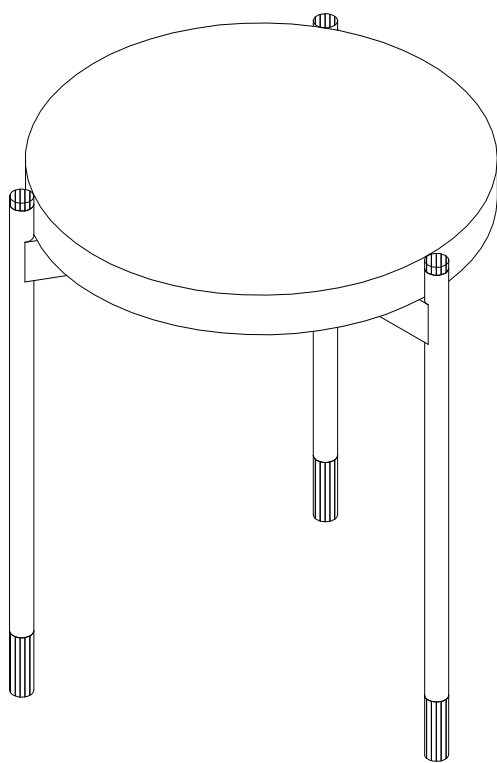
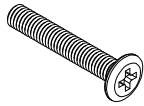
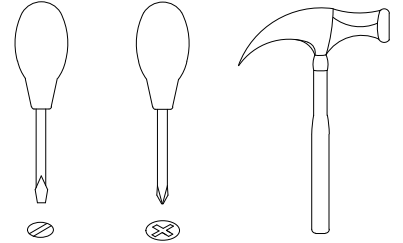
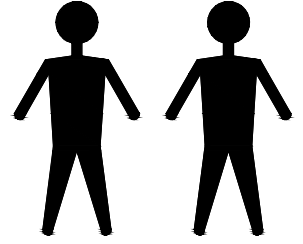




# CP1710I



# # CP1710I



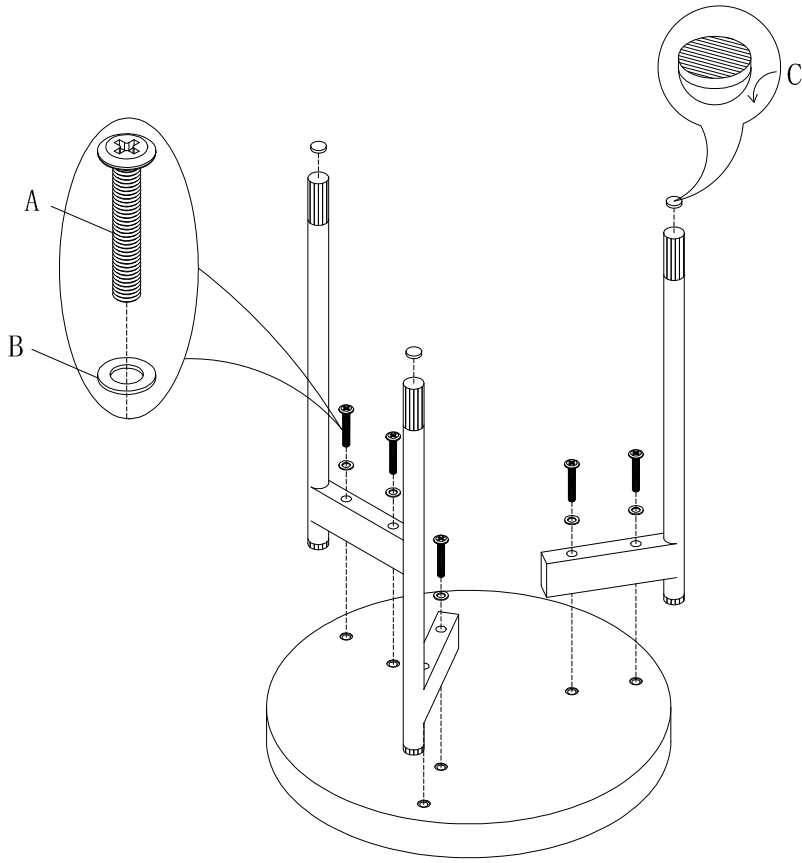
A x6  
Spec: M6\*50



B x6  
Spec:  $\phi 8 * \phi 14$



C x3  
Spec:  $\phi 15 * 3$



1