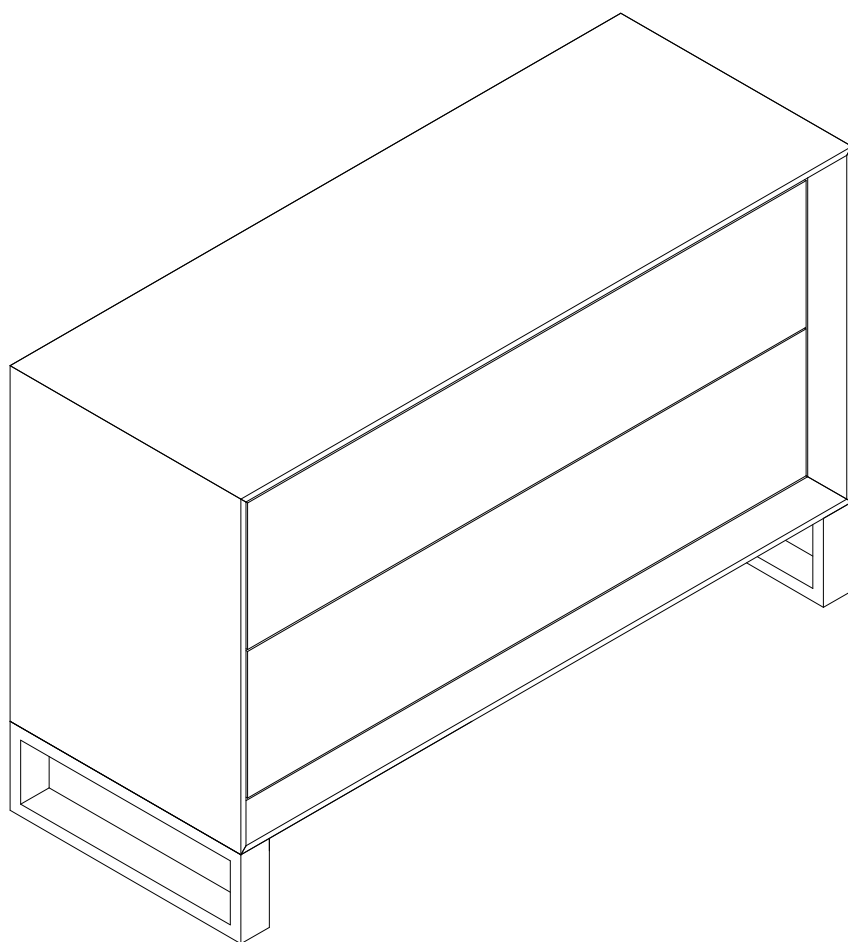


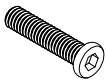
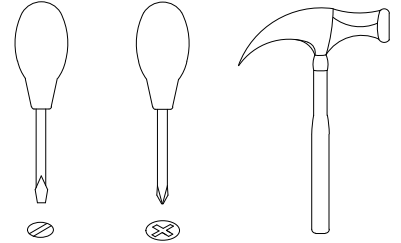
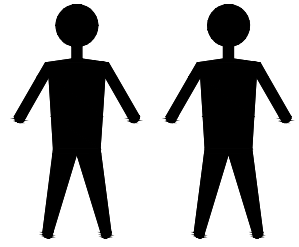


# CP1711C1-HA



**EAC**

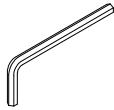
# # CP1711C1-HA



A x10  
Spec: 5/16\*L40



B x10  
Spec:  $\phi 8.2 * \phi 14$



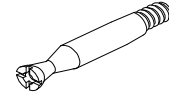
C x1  
Spec: 5#



D x4  
Spec: 40\*40



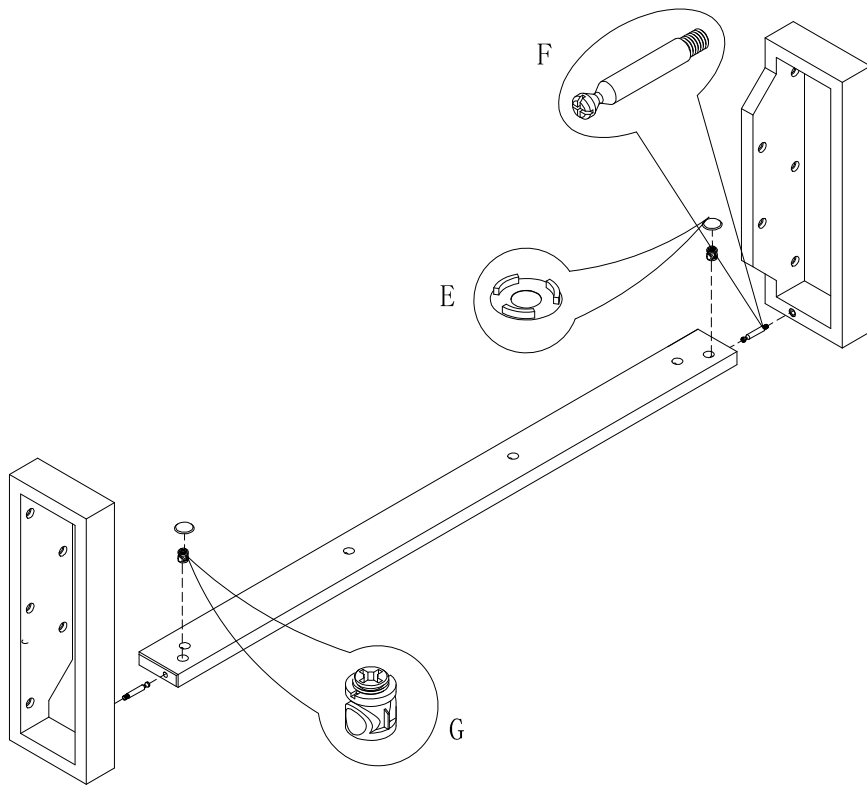
E x6  
Spec:



F x6  
Spec:  $\phi 7 * L48$



G x6  
Spec:  $\phi 15 * H15$



1

2

