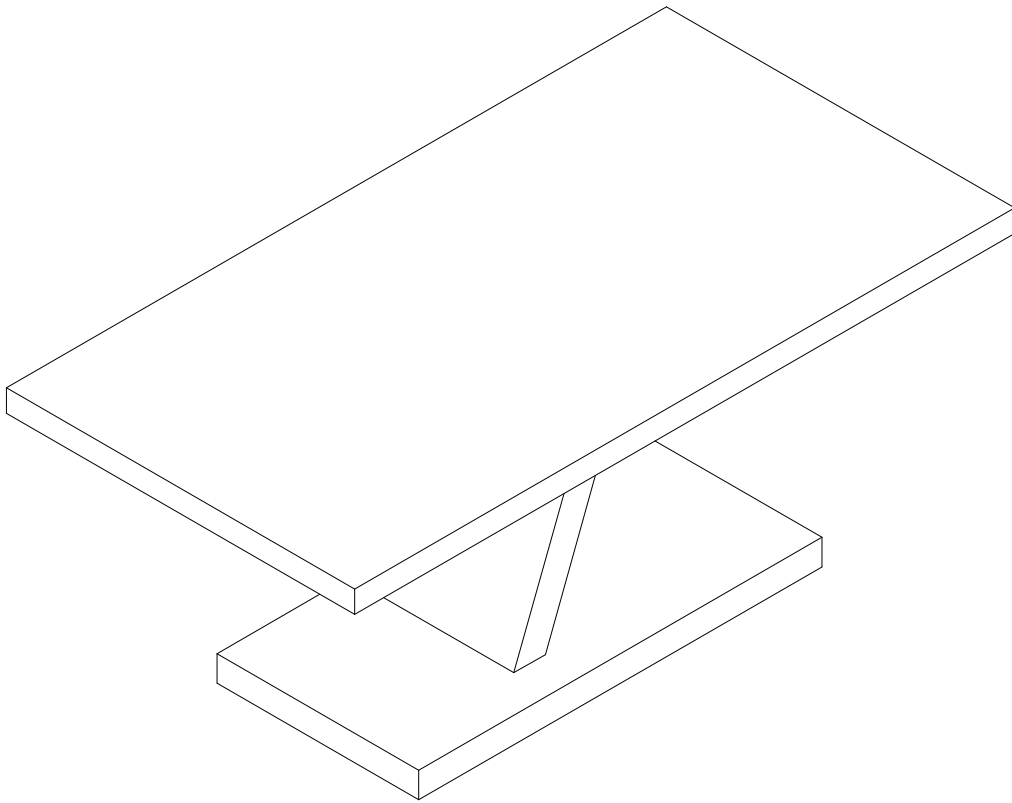


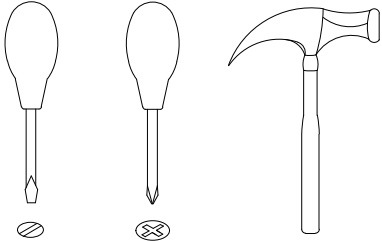
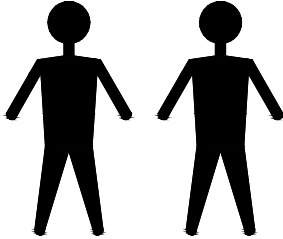


# CP1711D



**EAC**

# # CP1711D



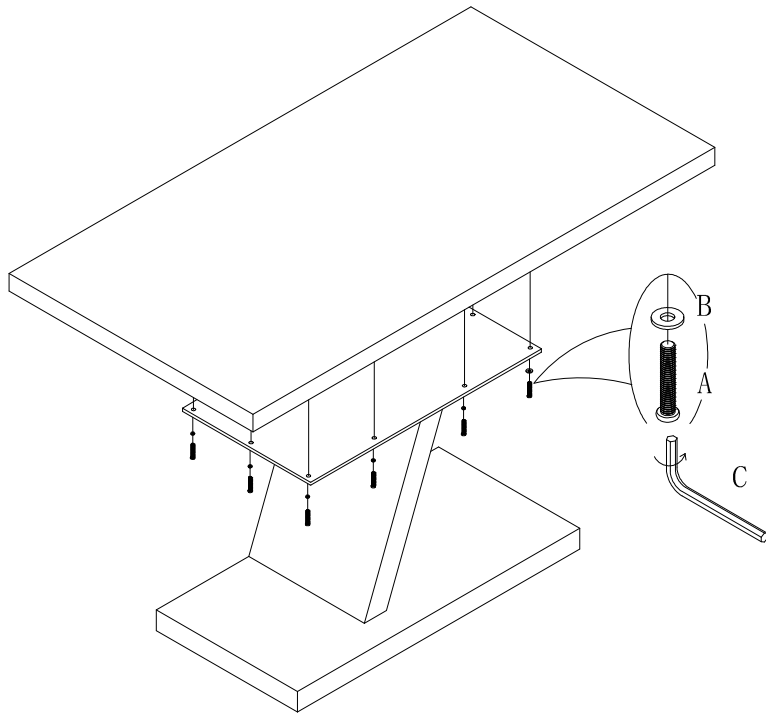
A x10  
Spec: 5/16\*L30



B x10  
Spec:  $\varnothing$ 18\*8



C x1  
Spec: 5#



1

---