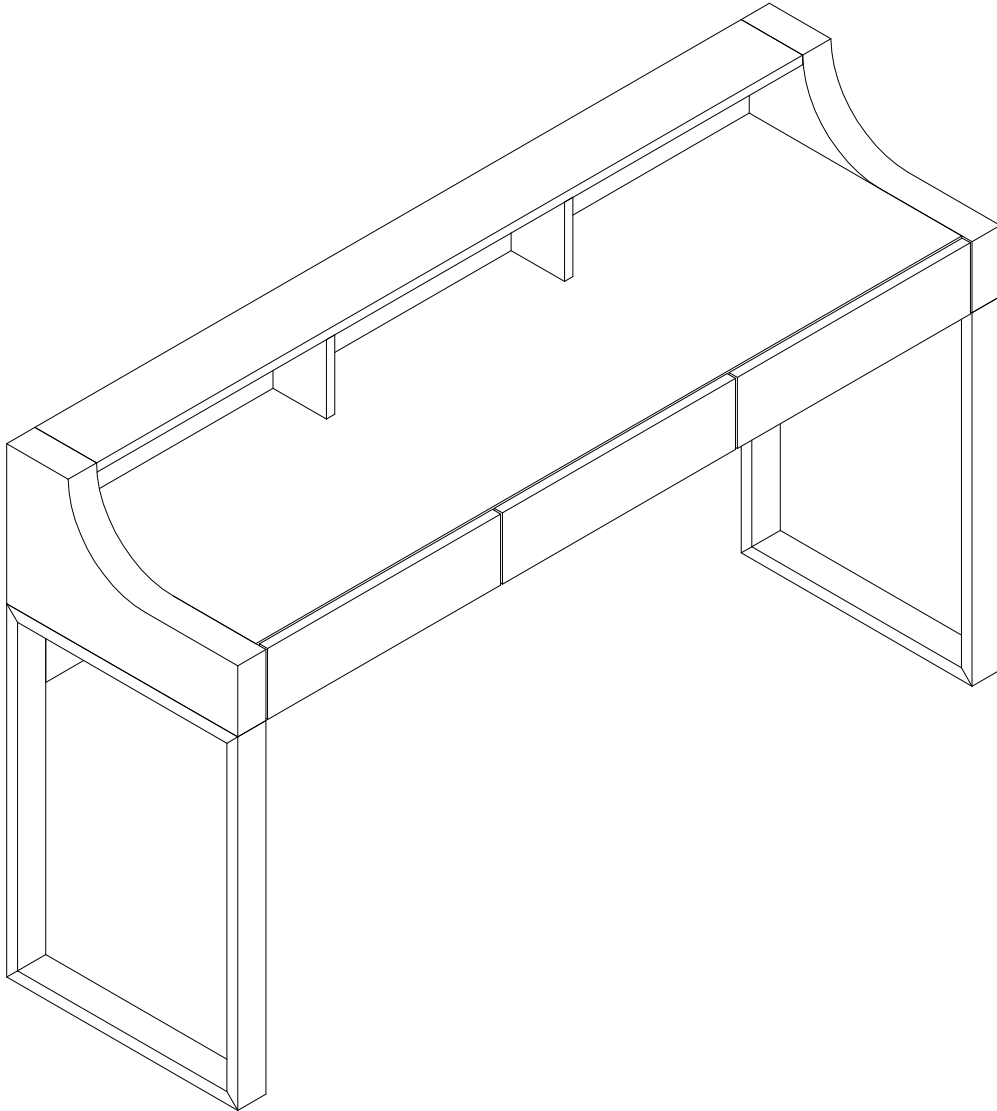
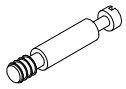
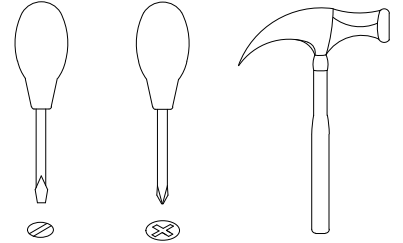
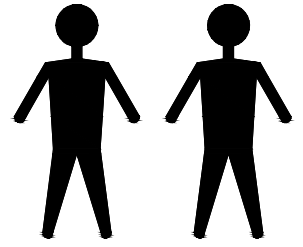




# CP1711DK-HA



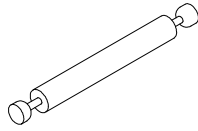
# # CP1711DK-HA



A x4  
Spec:  $\phi 7 * L30$



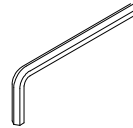
B x10  
Spec:  $\phi 15 * H12$



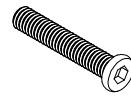
C x3  
Spec:  $\phi 7 * L66$



D x10  
Spec:



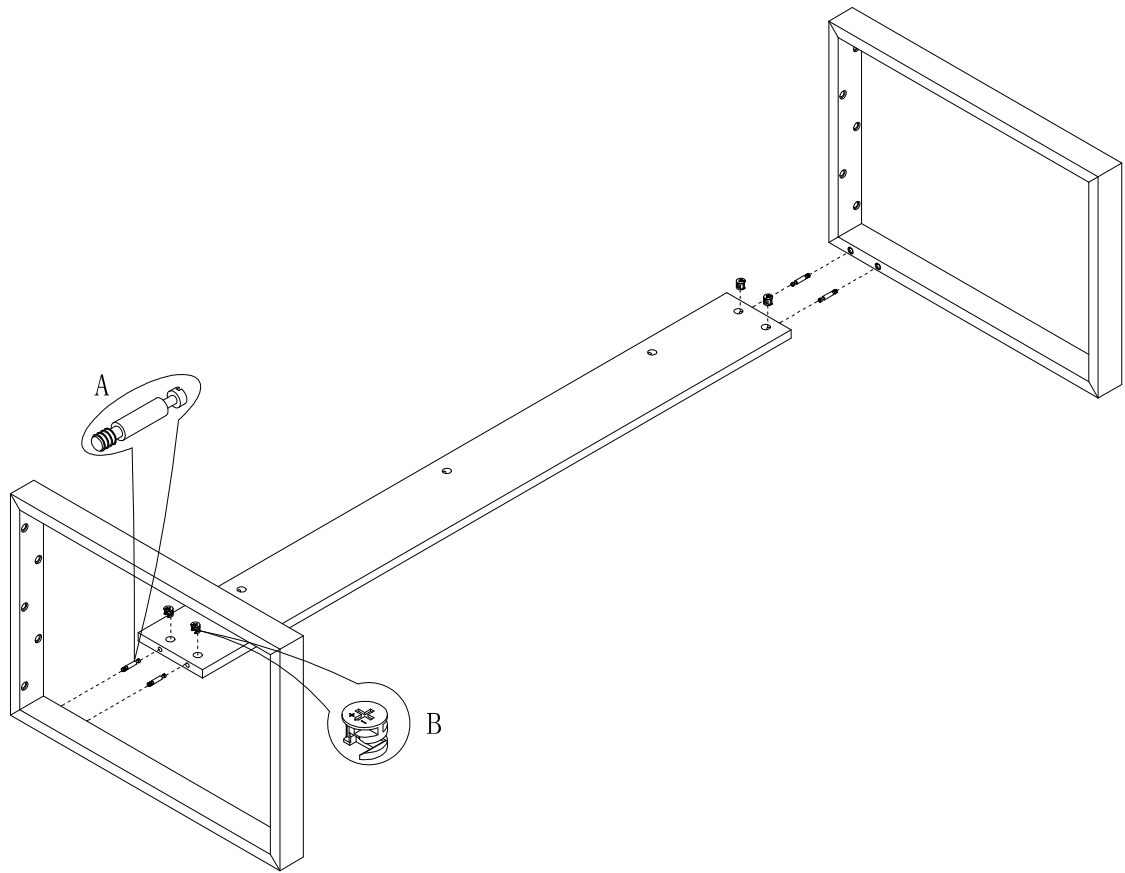
E x1  
Spec: 5#



F x10  
Spec: 5/16\*40

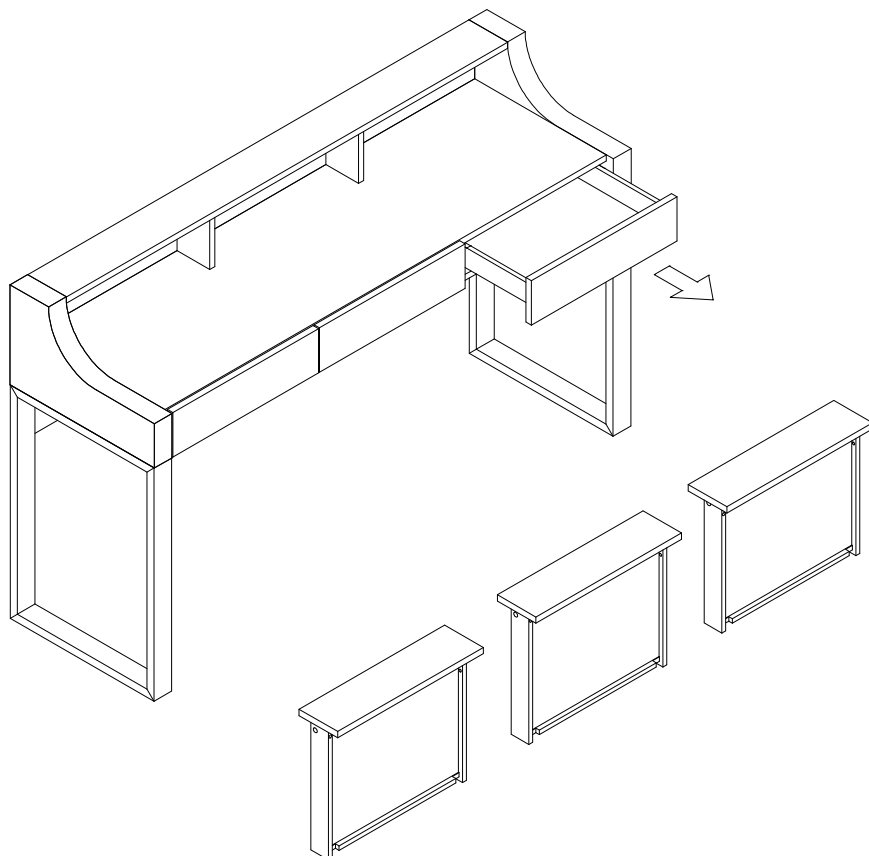


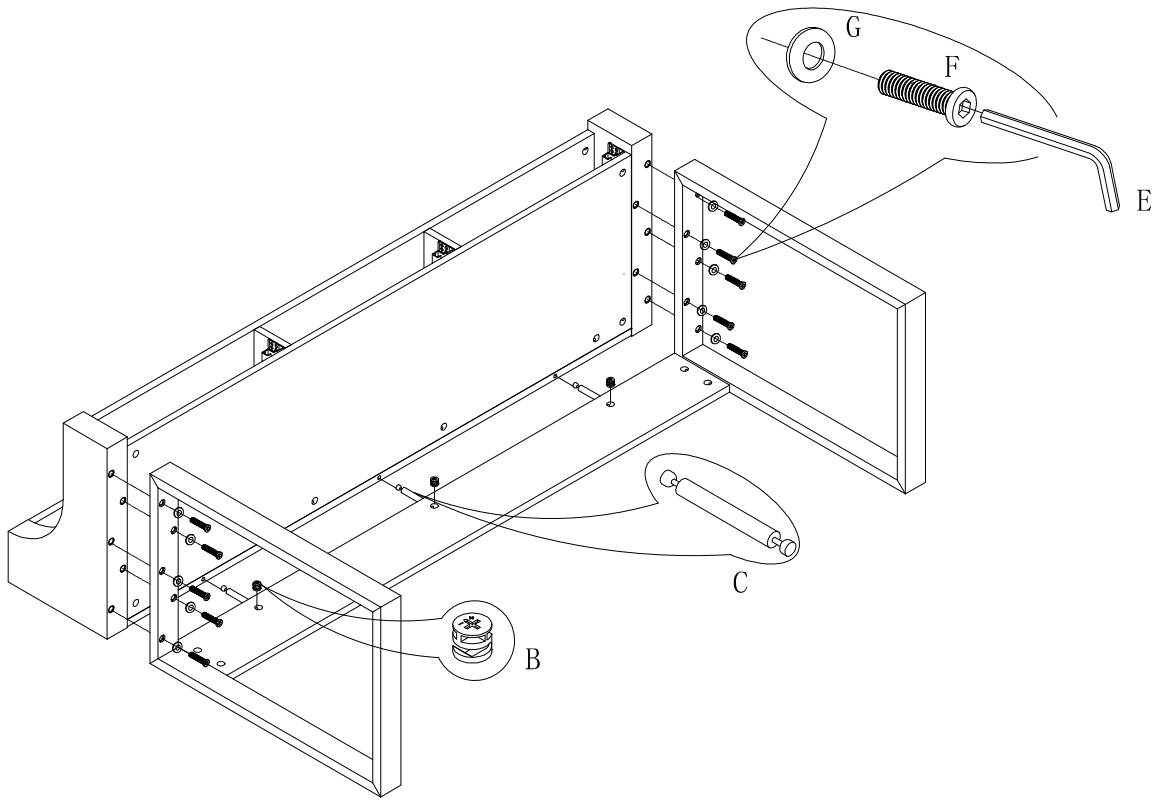
G x10  
Spec:  $\phi 8 * \phi 14$



1

2





3

4

