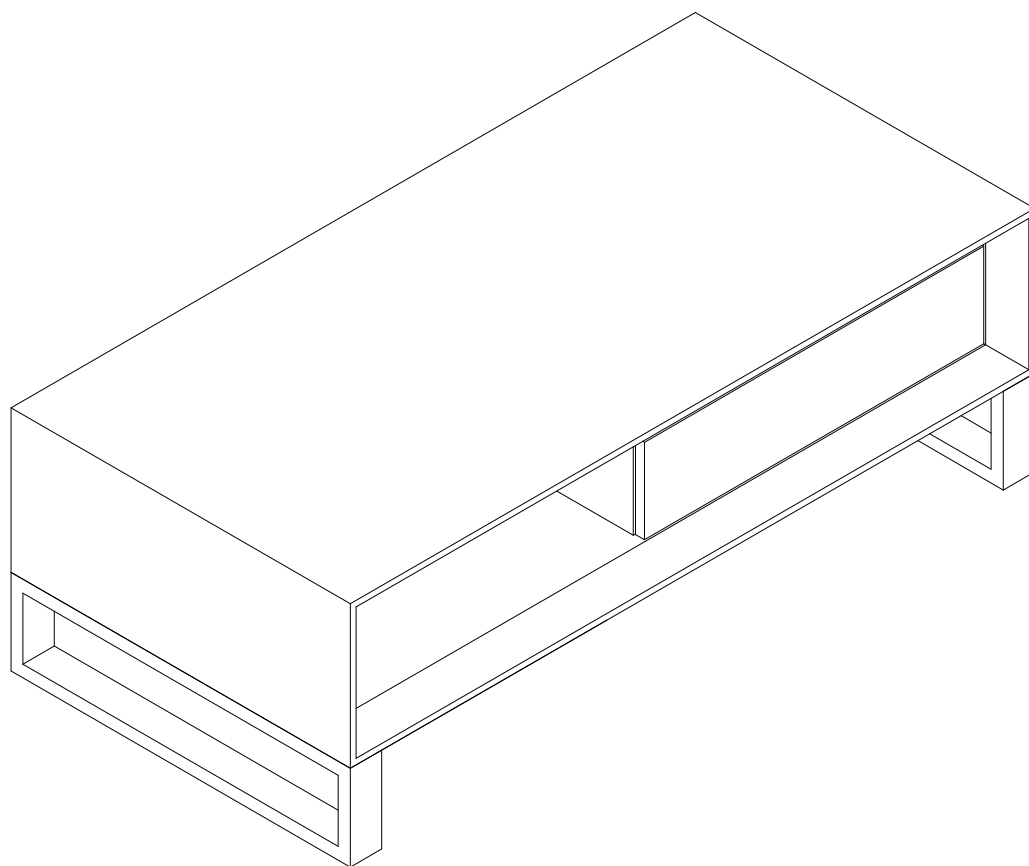


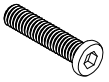
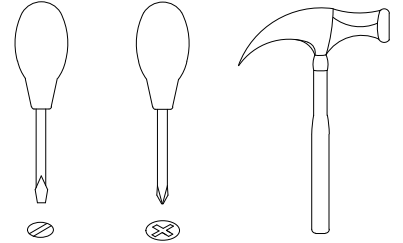
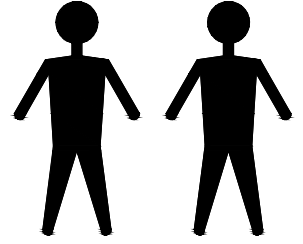


CP1711G1-HA



EAC

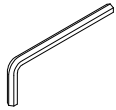
CP1711G1-HA



A x10
Spec: 5/16*L40



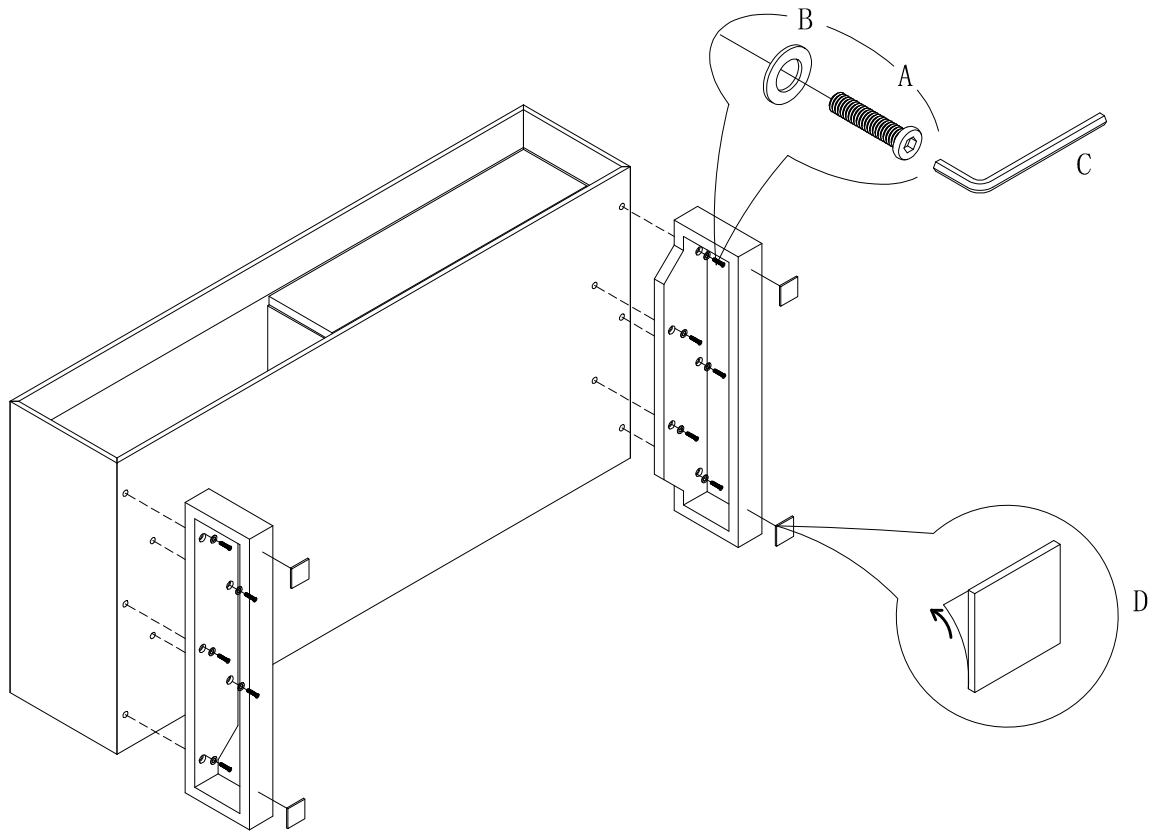
B x10
Spec: $\phi 8.2 * \phi 14$



C x1
Spec: 5#



D x4
Spec: 40*40



1