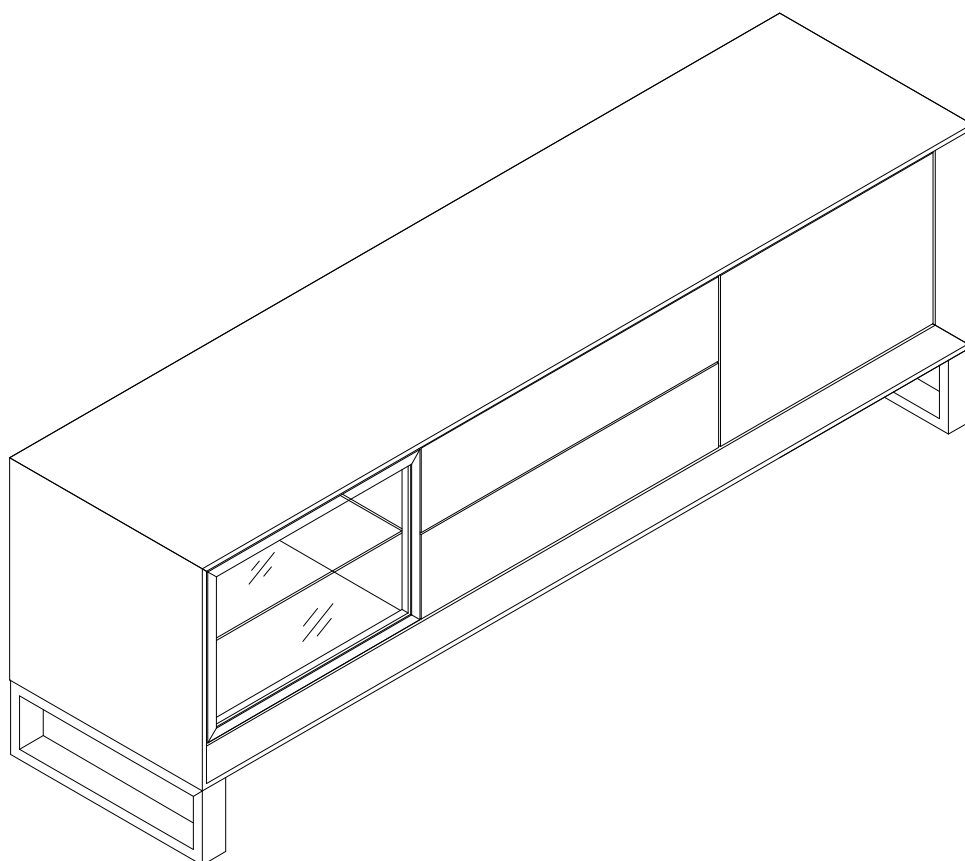


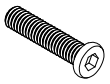
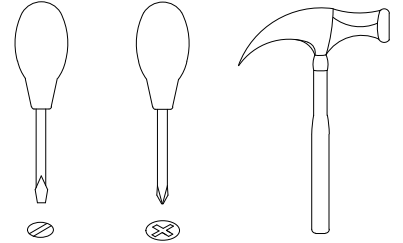
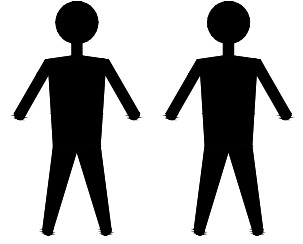


CP1711TV2-HA



EAC

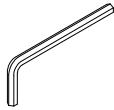
CP1711TV2-HA



A x10
Spec: 5/16*L40



B x10
Spec: $\phi 8.2 * \phi 14$



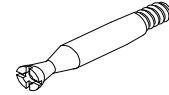
C x1
Spec: 5#



D x4
Spec: 40*40



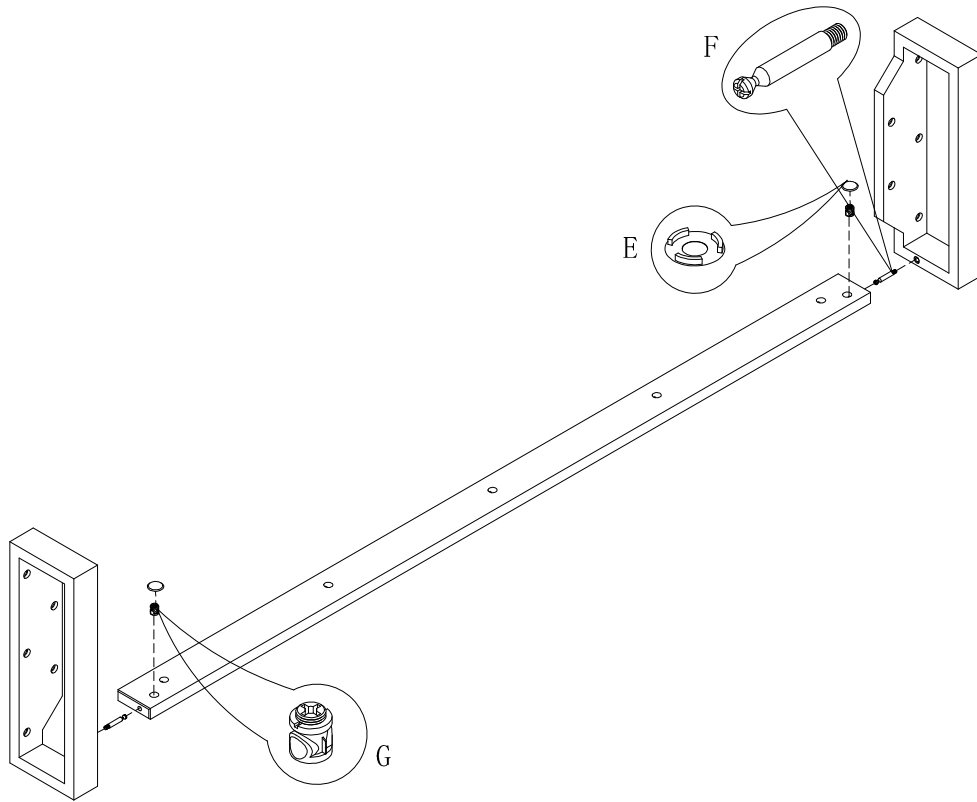
E x7
Spec:



F x7
Spec: $\phi 7 * L48$



G x7
Spec: $\phi 15 * H15$



1

2

