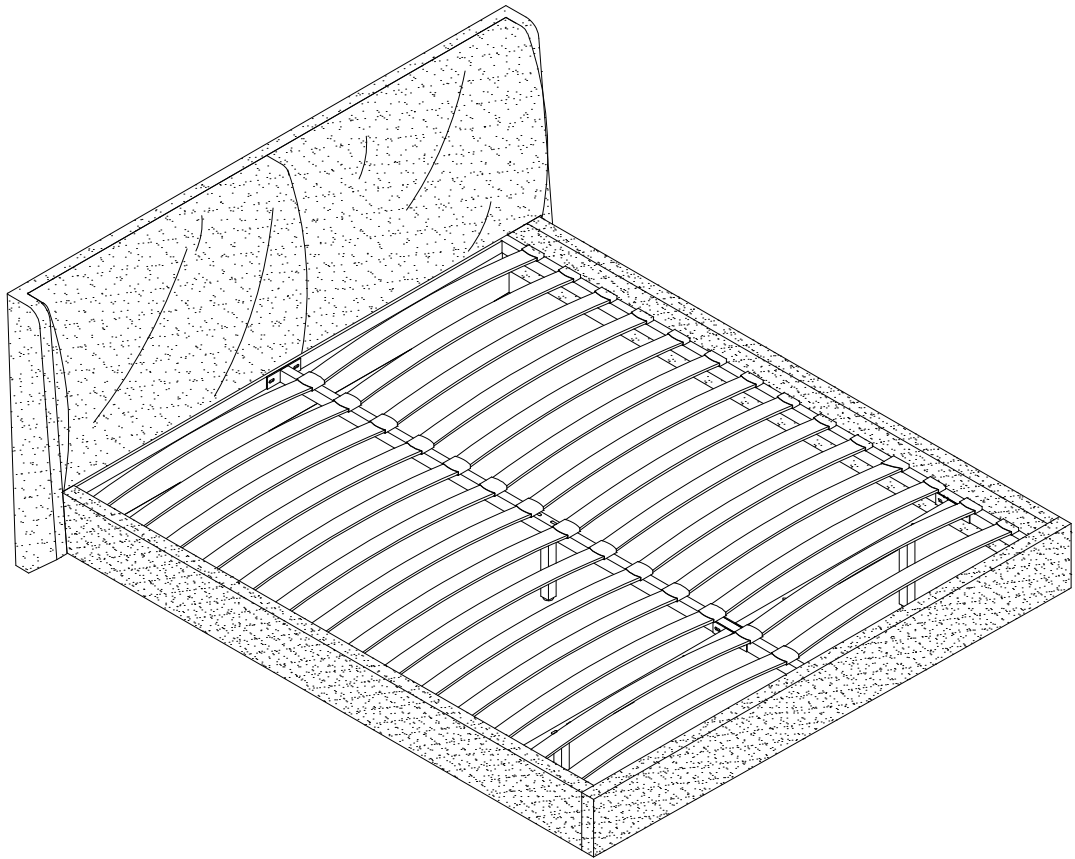


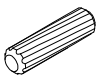
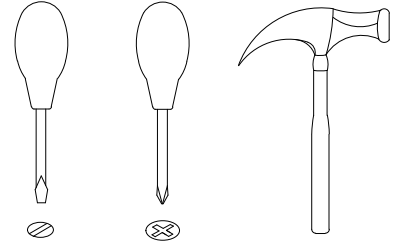
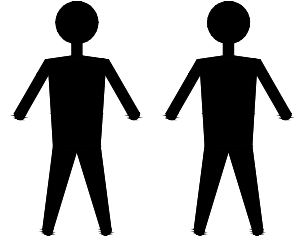


CP1801B4

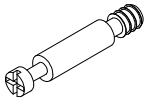


EAC

CP1801B4



A x8
Spec: $\phi 10 \times 40$



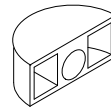
A1 x4
Spec: $\phi 7 \times L30$



A2 x4
Spec: $\phi 15 \times H12$



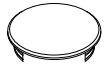
B x4
Spec: M8*L95



C x4
Spec:



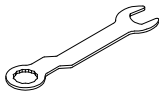
D x4
Spec: M8



E x4
Spec: $\phi 38$



I x1
Spec: 5#



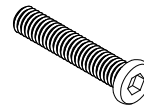
K x1
Spec: 14#



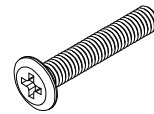
R x22
Spec: $\phi 8 \times \phi 18$



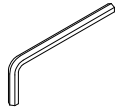
V x10
Spec: $\phi 6 \times \phi 18$



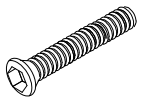
N x6
Spec: 5/16*L60



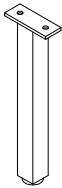
F x16
Spec: M6*45



G x1
Spec: 4#



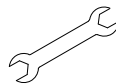
L x12
Spec: M6*L50



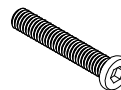
H x3
Spec: 175



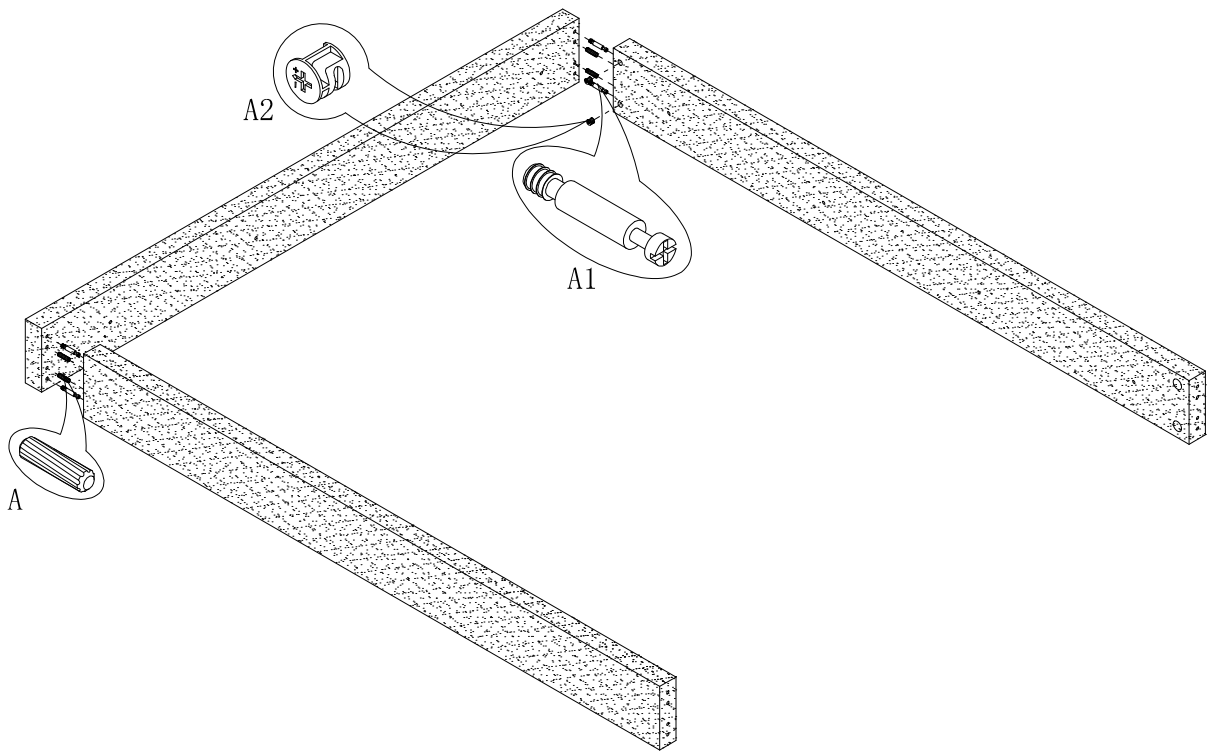
T x10
Spec: M6



U x1
Spec: 10mm

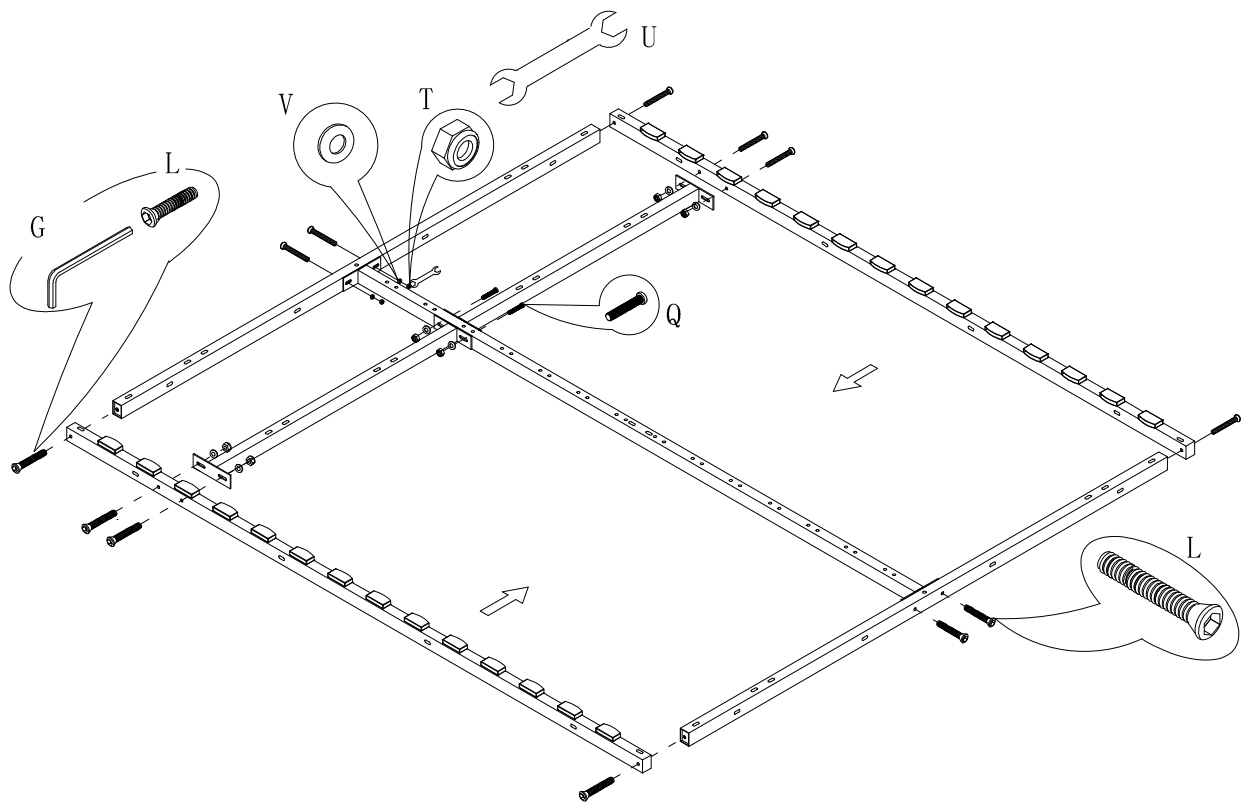


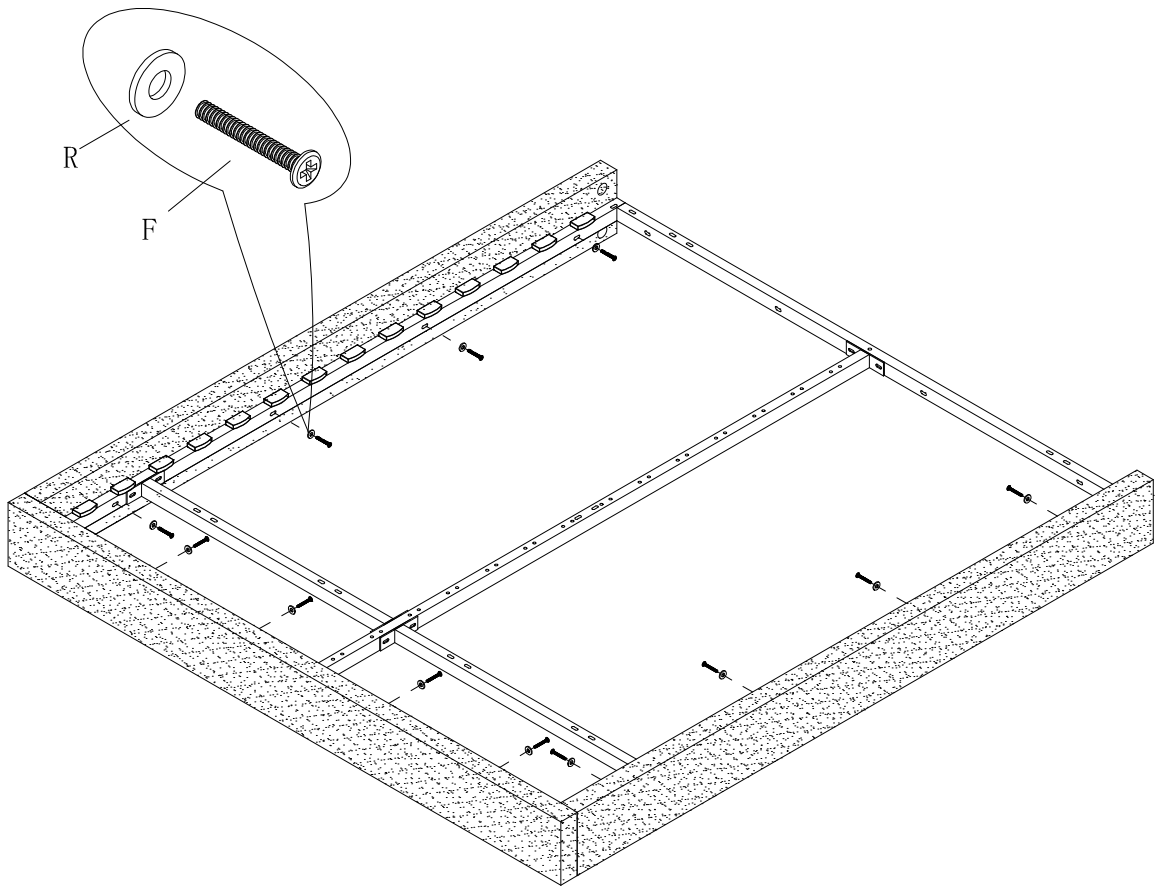
Q x2
Spec: M6*L50



1

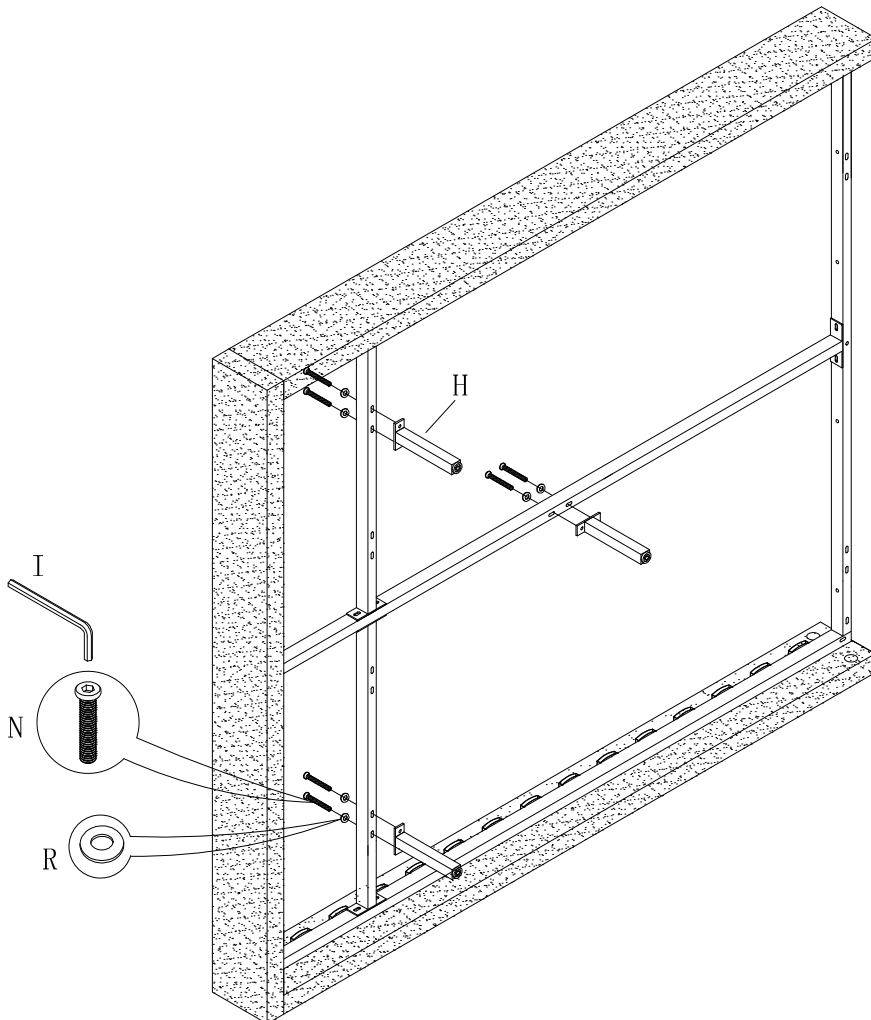
2

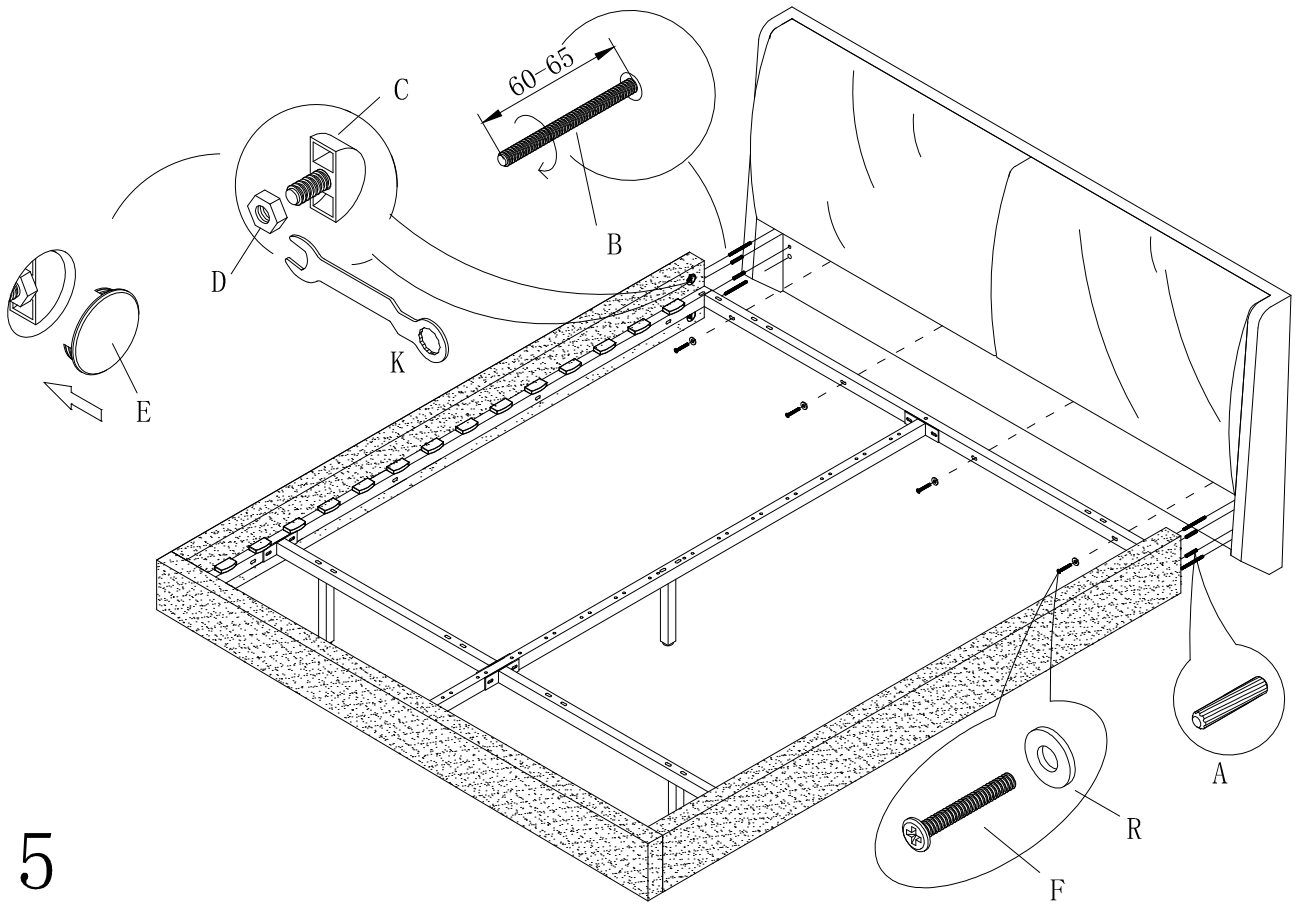




3

4





6

