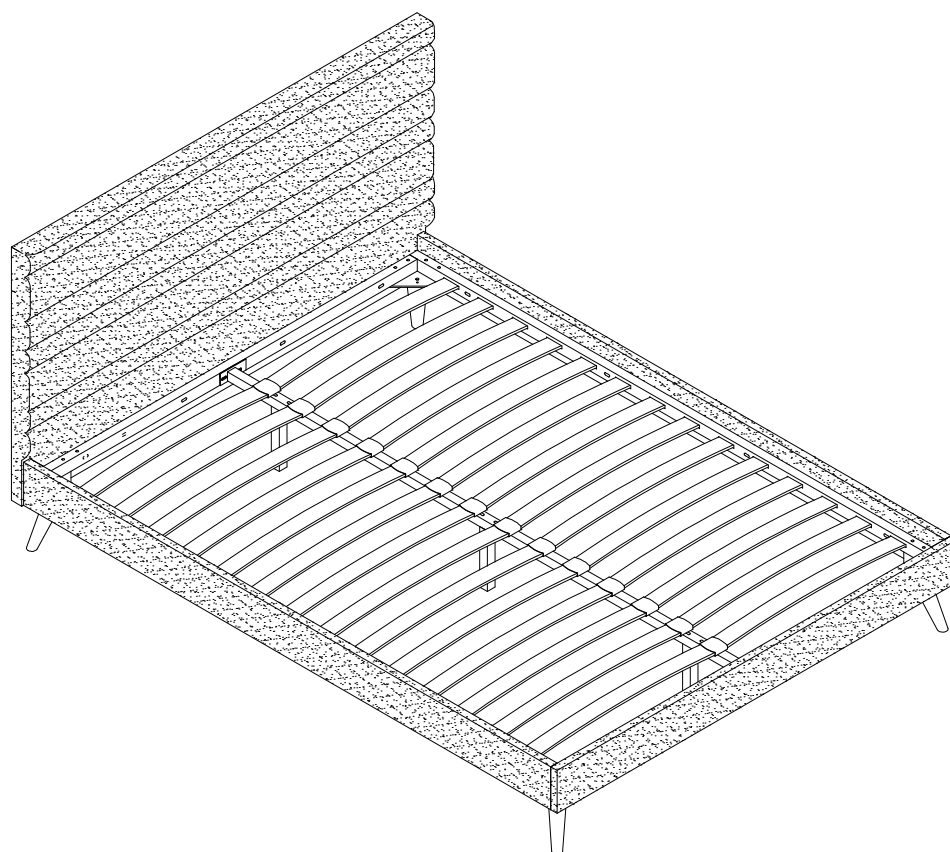


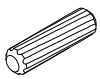
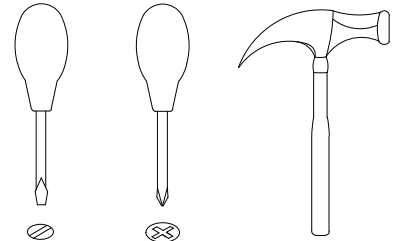
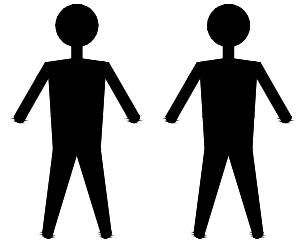
MOD
interiors

CP1802B10

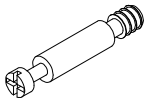


EAC

CP1802B10



A x8
Spec: $\phi 10 \times 40$



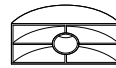
B x4
Spec: $\phi 7 \times L30$



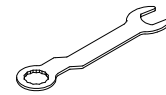
C x4
Spec: $\phi 15 \times H12$



D x4
Spec: $M8 \times L85$



E x4
Spec:



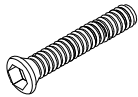
F x1
Spec: 14#



G x1
Spec: 4#



H x1
Spec: 5#



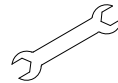
I x24
Spec: $M6 \times L45$



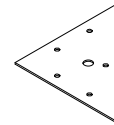
J x4
Spec: $\phi 4 \times \phi 10$



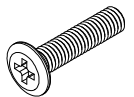
K x4
Spec: $\phi 6 \times \phi 18$



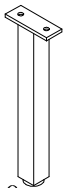
L x1
Spec: 10mm



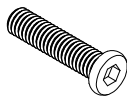
M x4
Spec: $160 \times 160 \times 3$



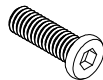
N x16
Spec: $M6 \times 45$



O x3
Spec: L205



P x6
Spec: $5/16 \times L60$



Q x4
Spec: $M8 \times L30$



R x26
Spec: $\phi 8 \times \phi 18$



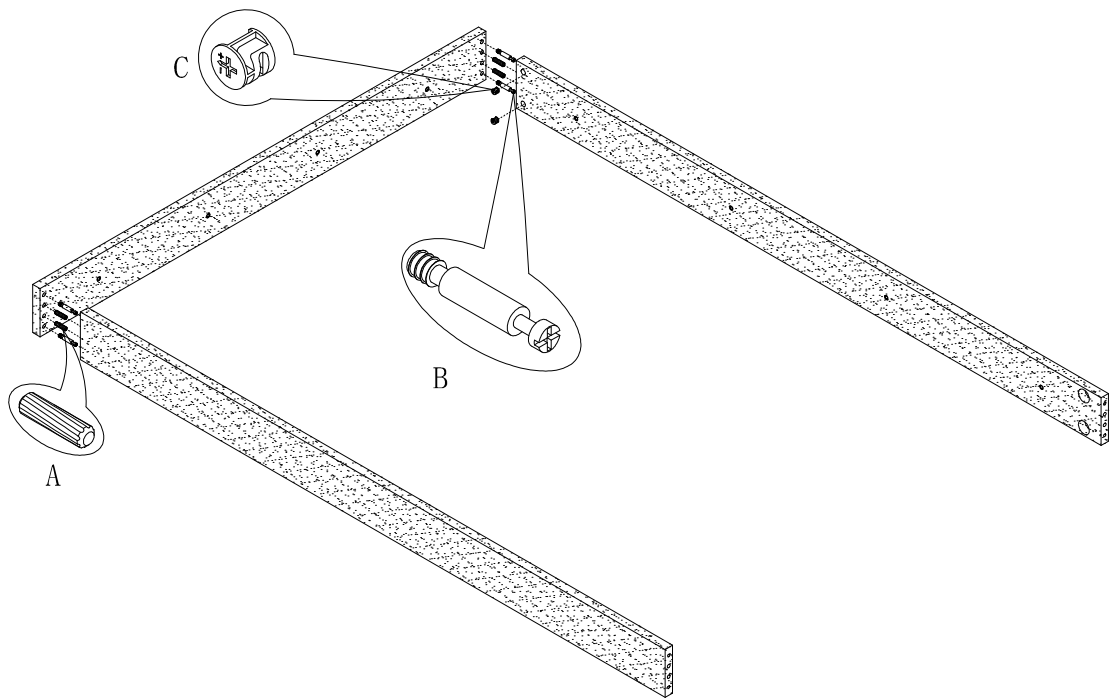
S x4
Spec: $\phi 3.8 \times L18$



T x4
Spec: M8

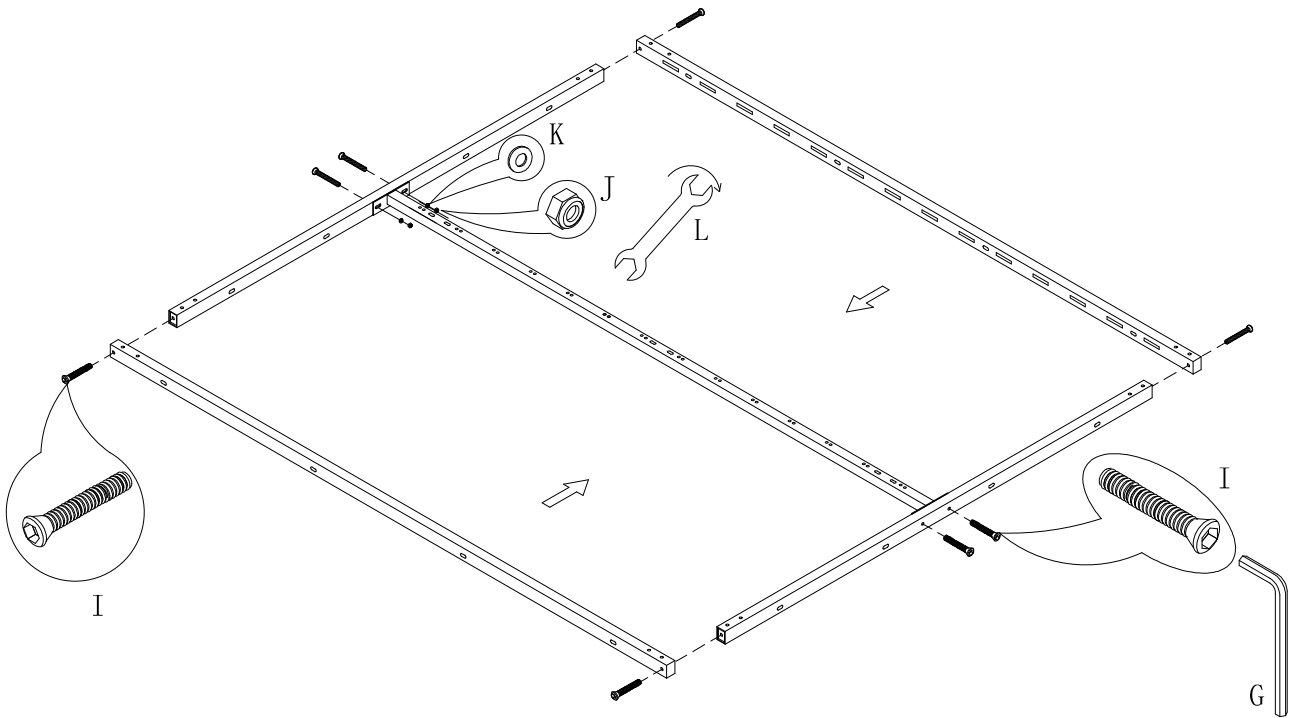


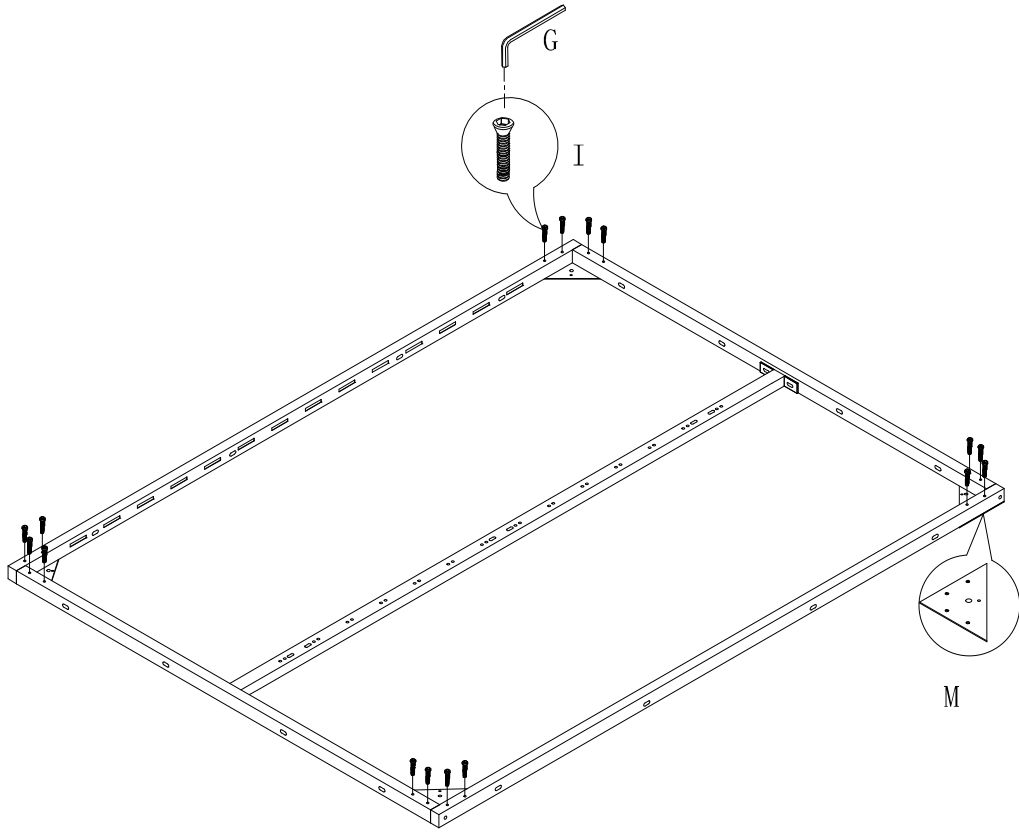
U x4
Spec: $\phi 38$



1

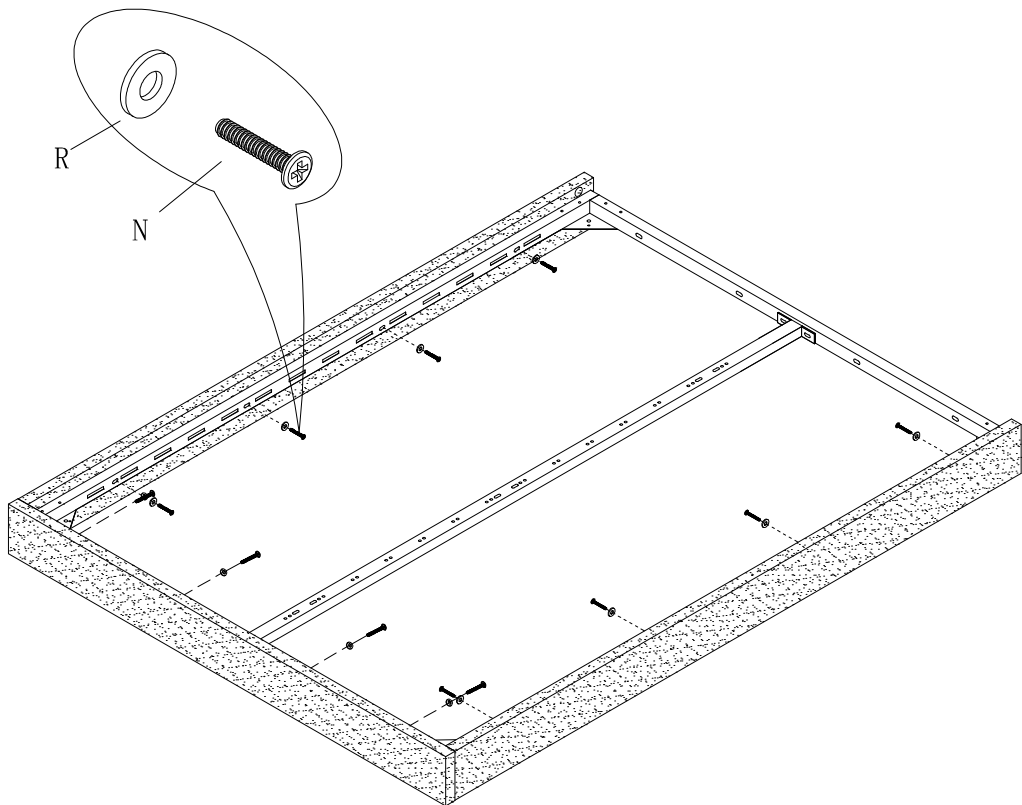
2

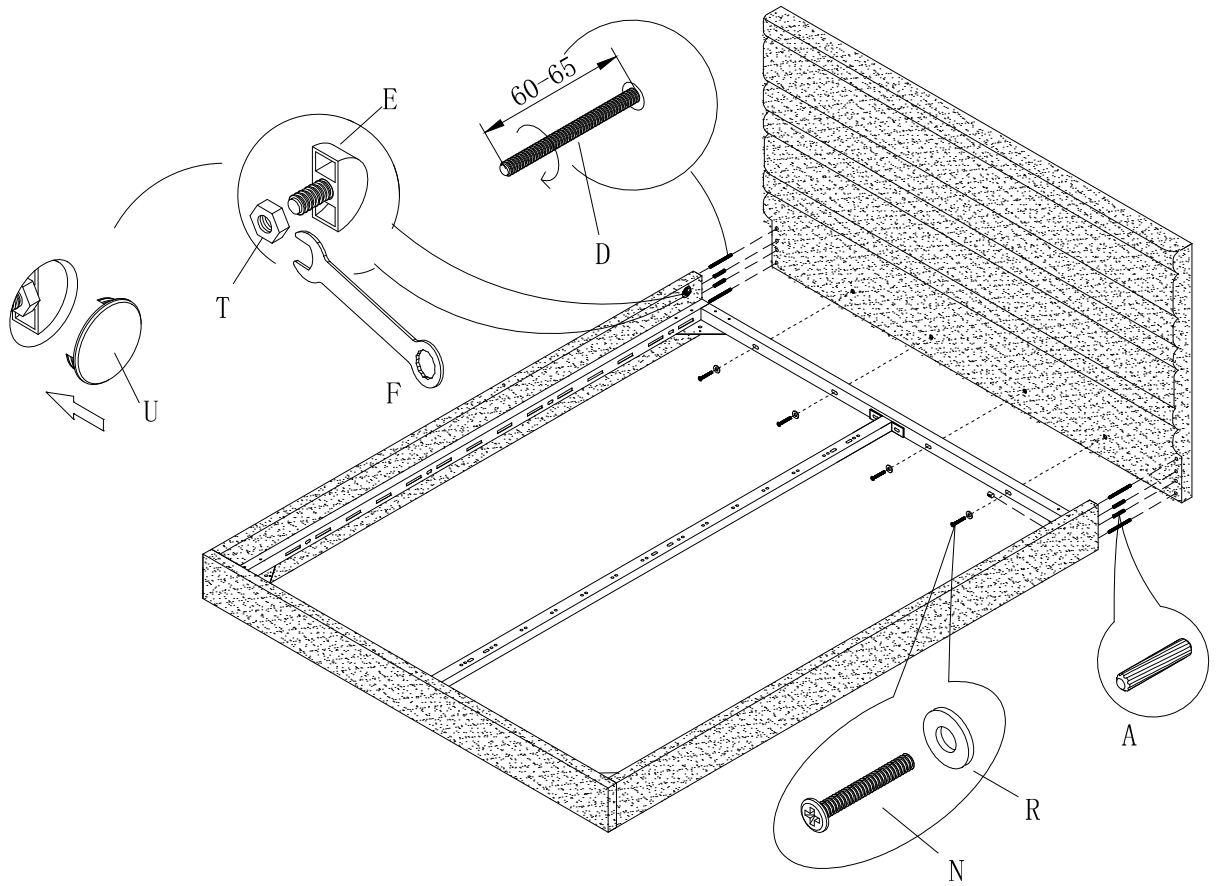




3

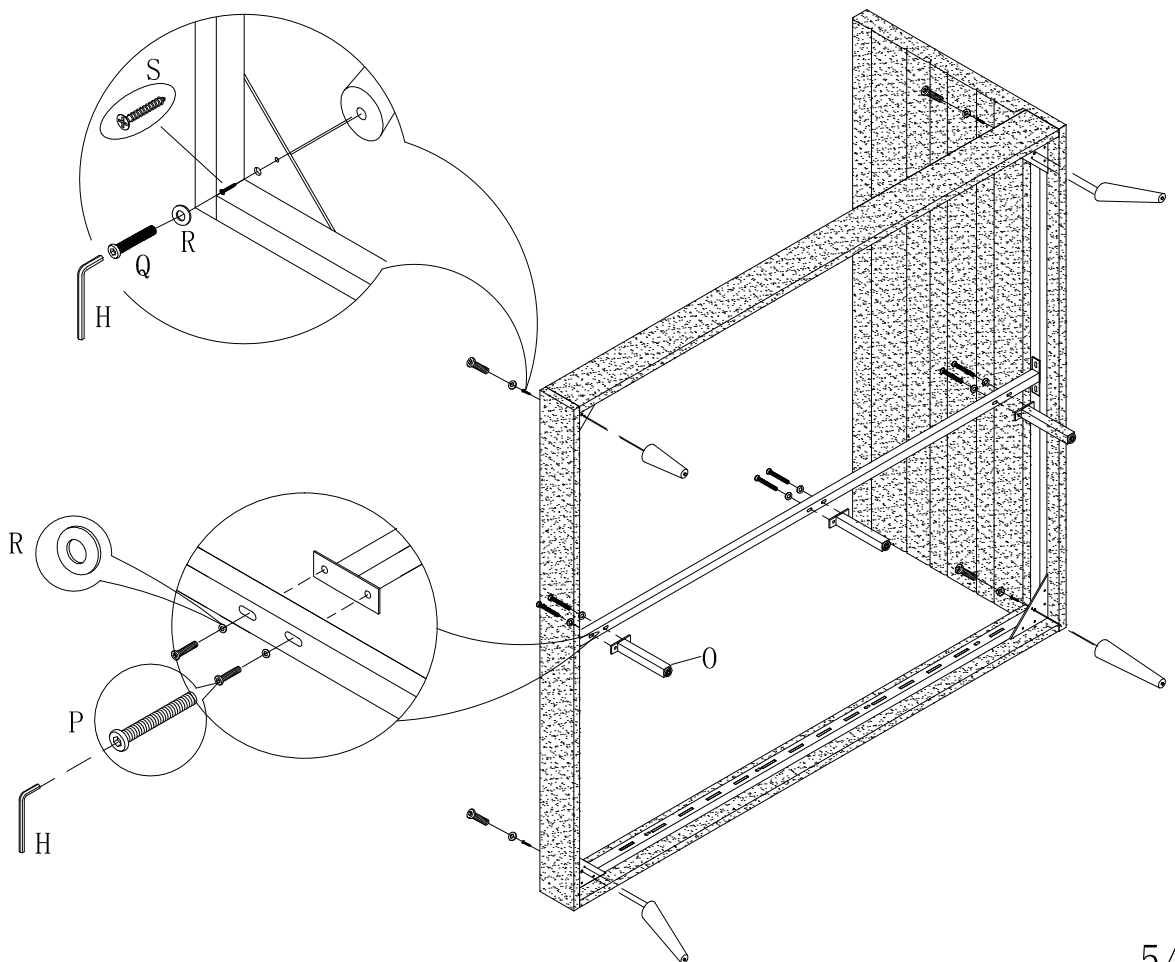
4

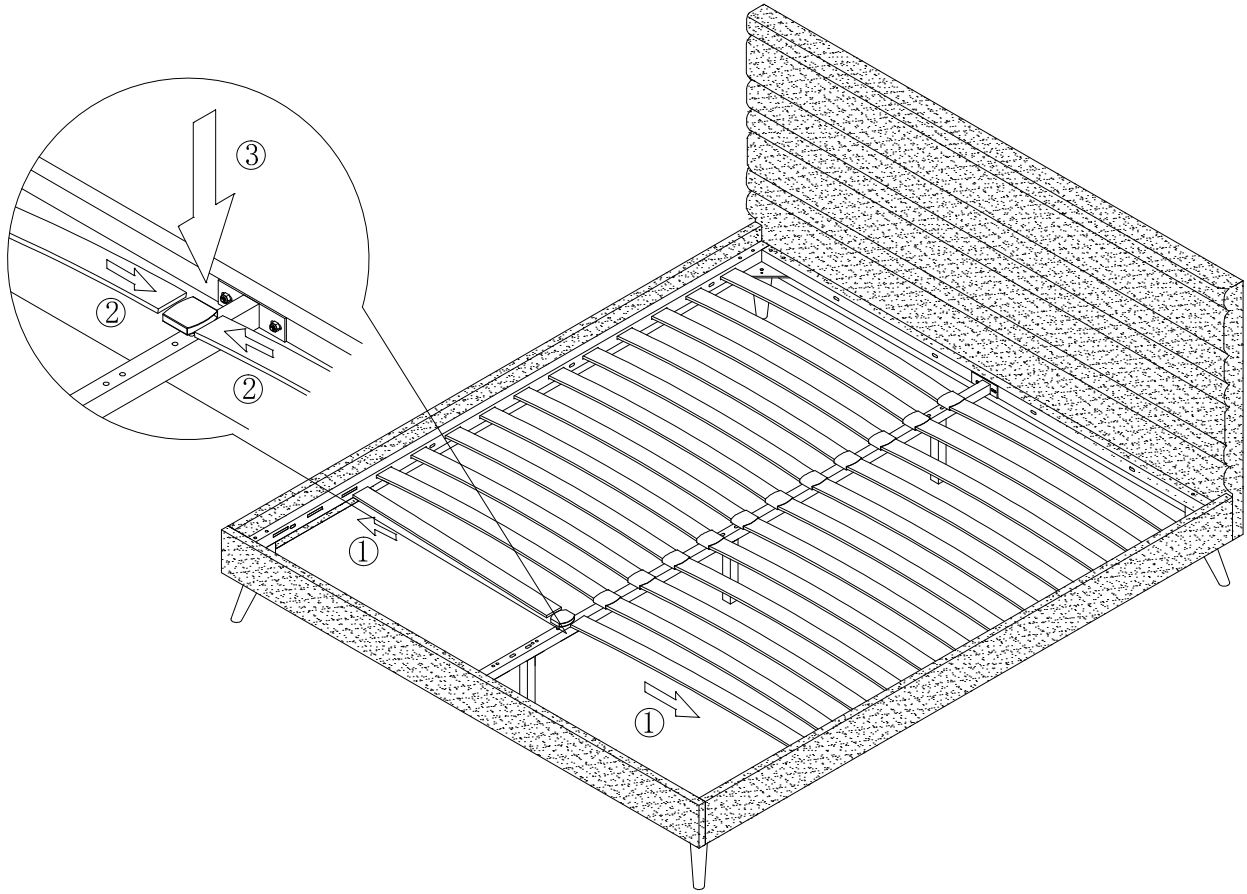




5

6





7
