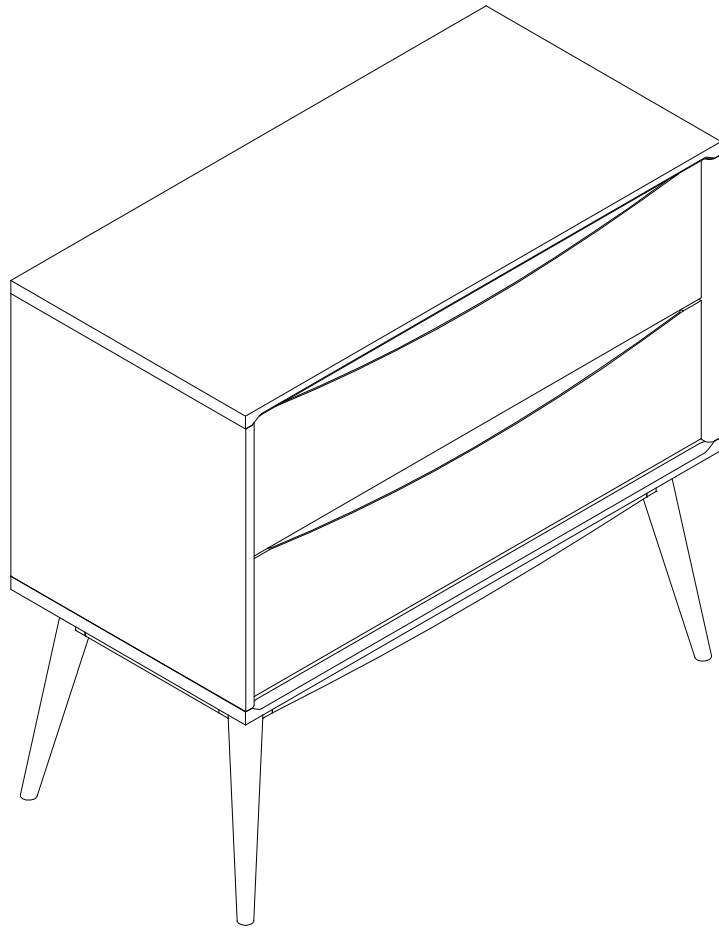


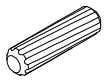
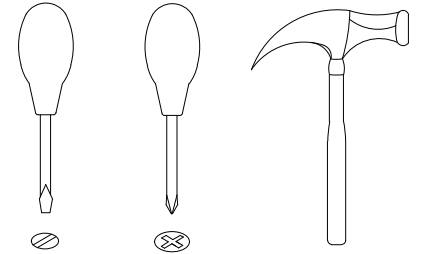
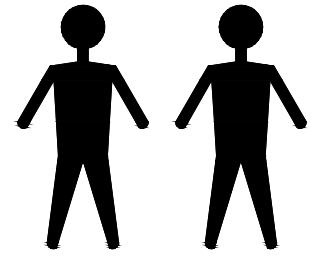
MOD
interiors

CP1802C-V/V

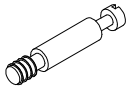


EAC

CP1802C-V/V



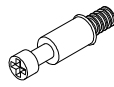
A x10
Spec: $\phi 8 \times 30$



B x10
Spec: $\phi 7 \times L30$



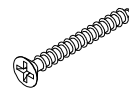
C x10
Spec: $\phi 15 \times H12$



D x12
Spec: $\phi 6 \times L28$



E x12
Spec: $\phi 12 \times H9$



F x8
Spec: $\phi 3.5 \times L35$



G x12
Spec:



H x12
Spec: M6*L8



I x16
Spec: $\phi 6 \times 30$



J x8
Spec: $\phi 3.5 \times L16$



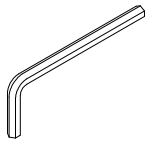
K x8
Spec: H13



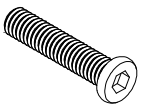
L x2
Spec:



M x8
Spec:



N x1
Spec: 5#



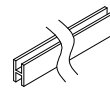
O x8
Spec: 5/16*L60



P x8
Spec: $\phi 8 \times \phi 18$



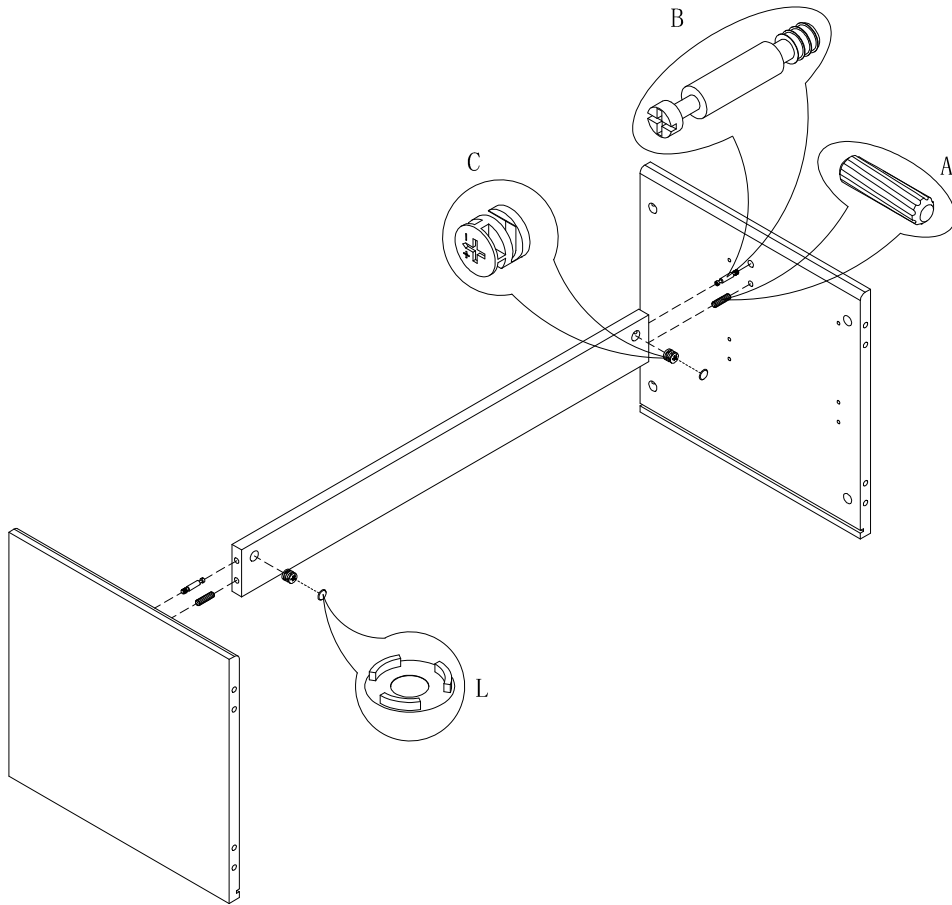
Q x2
Spec: L300



R x1
Spec: L760

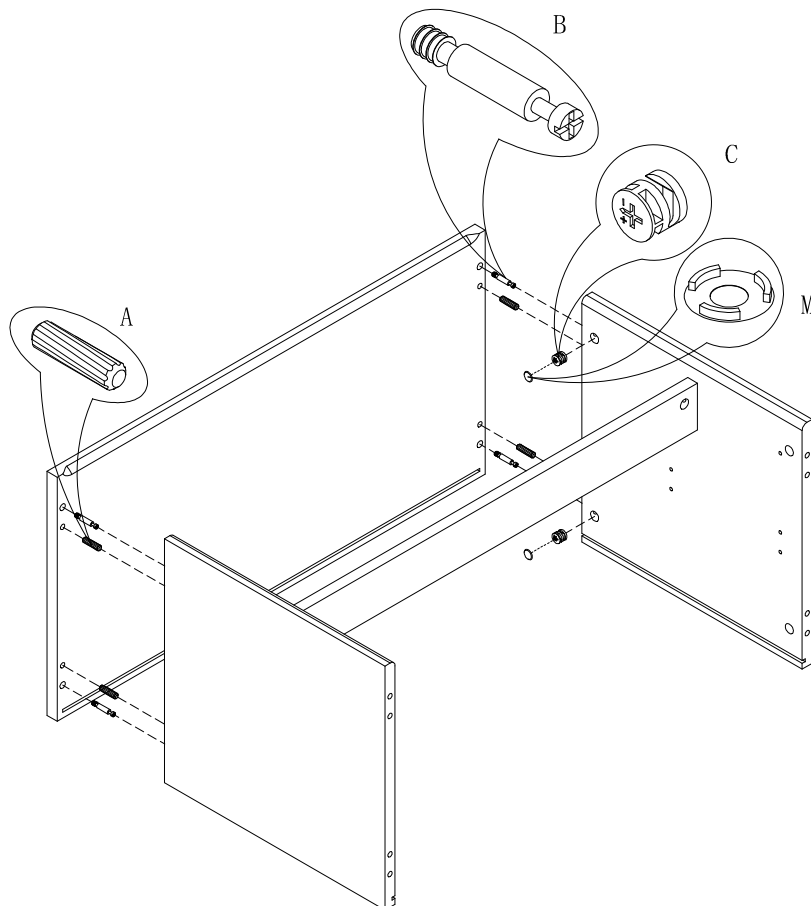


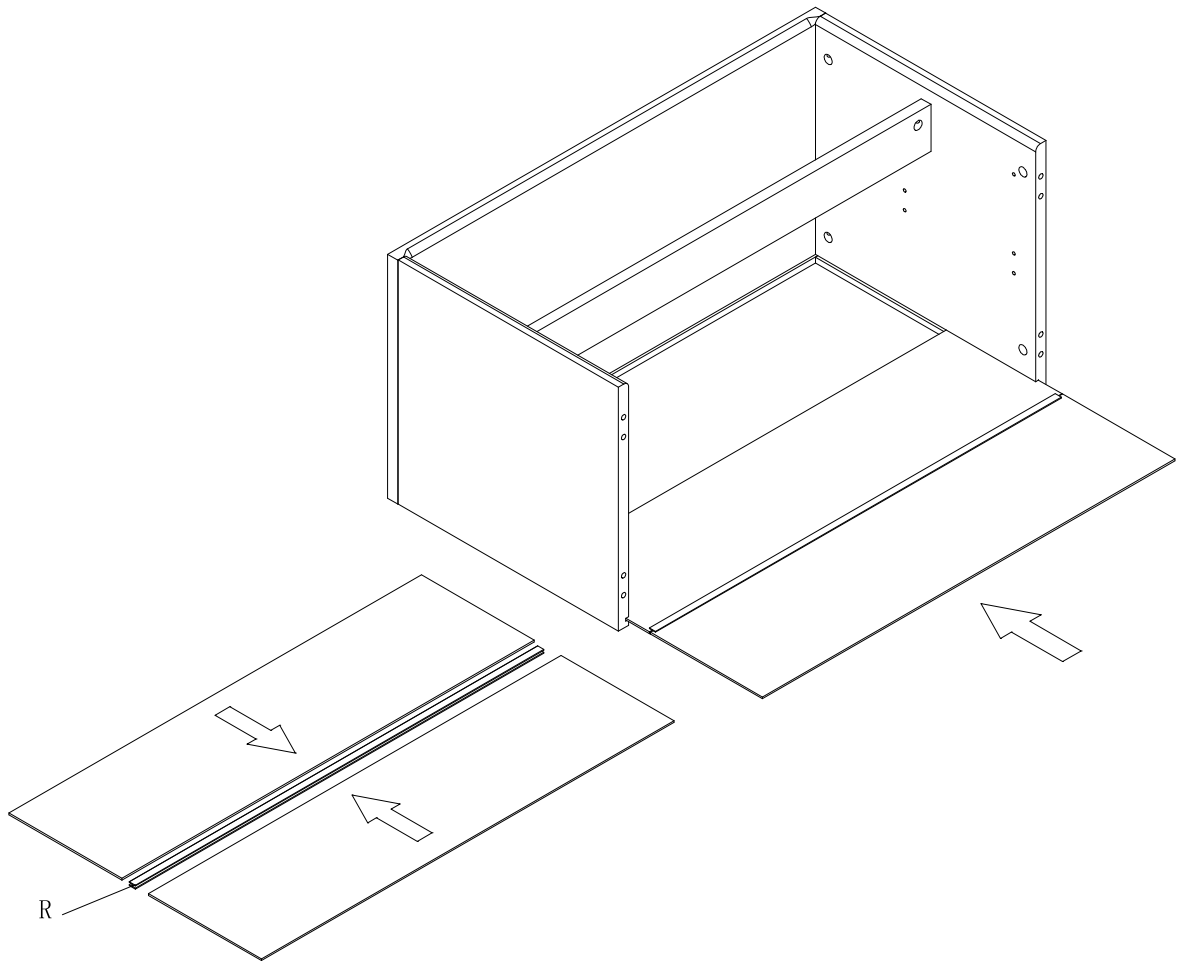
AAA x8
Spec: $\phi 3.8 \times L12$



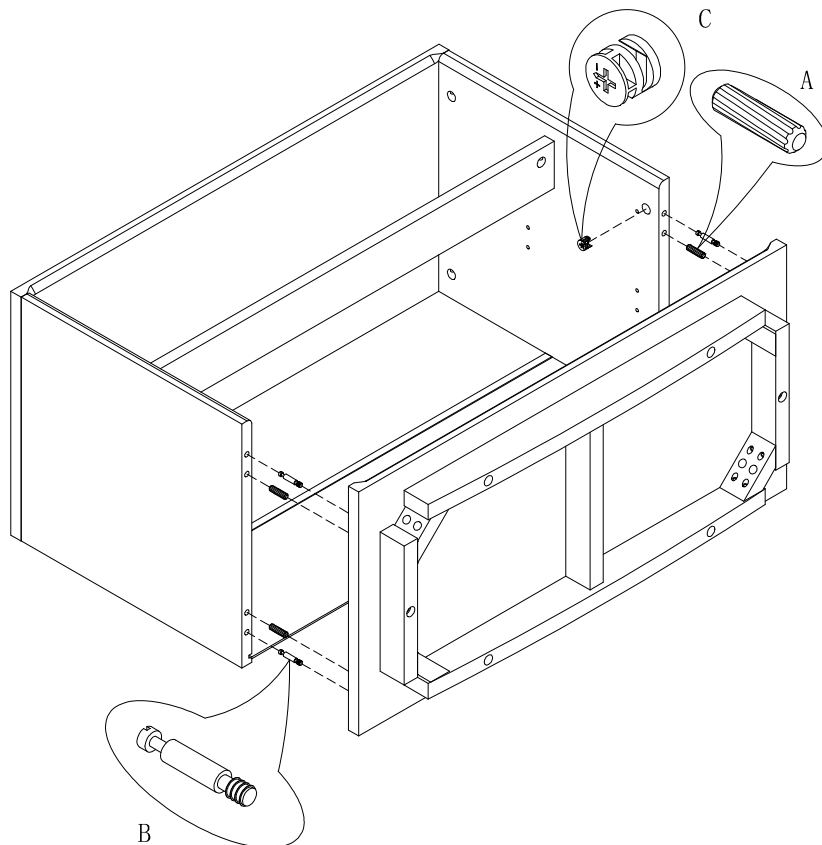
1

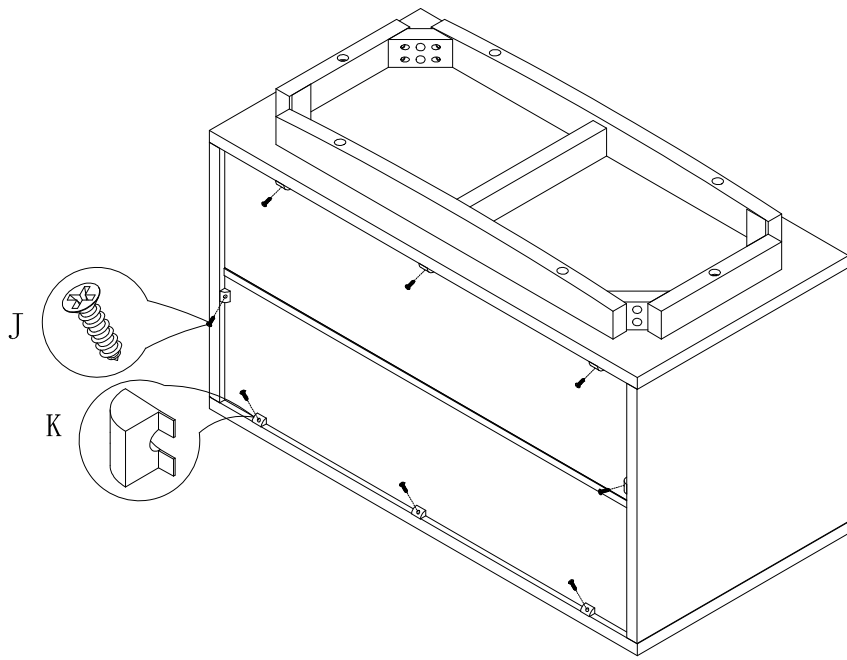
2





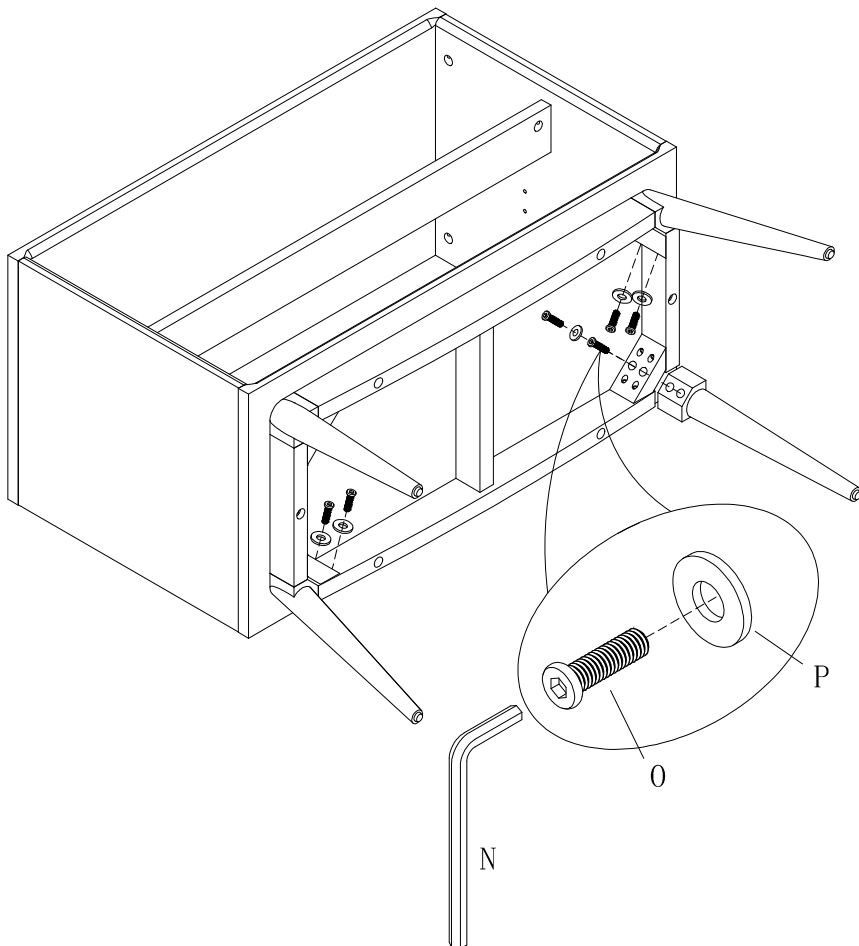
4

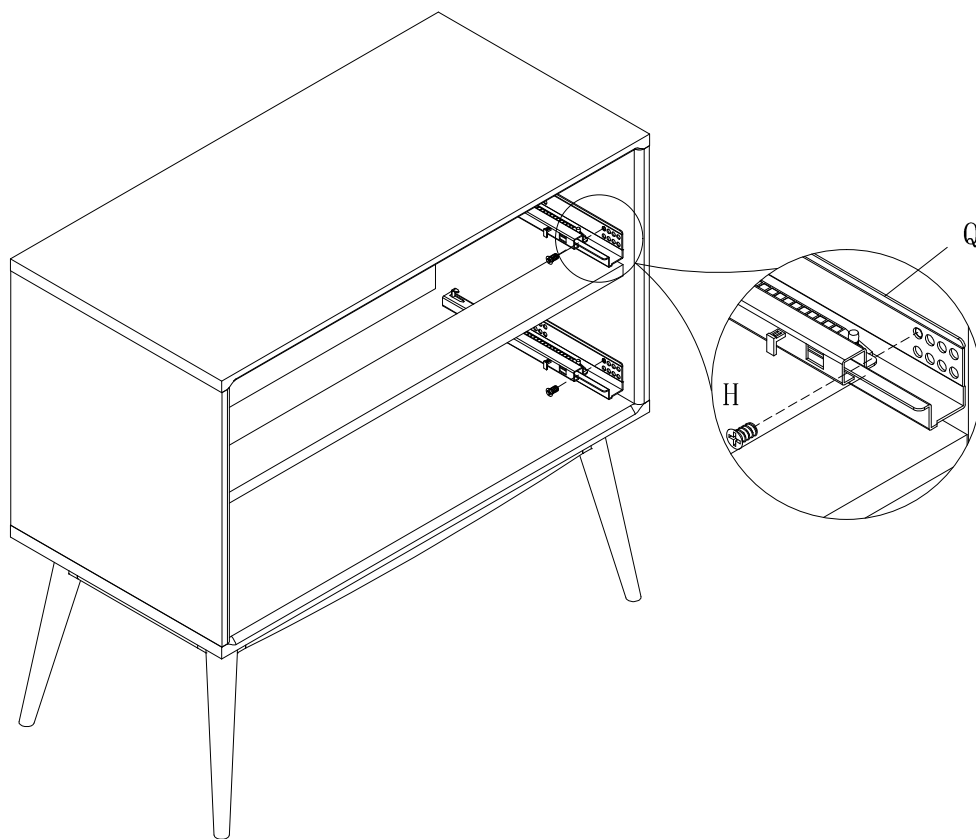




5

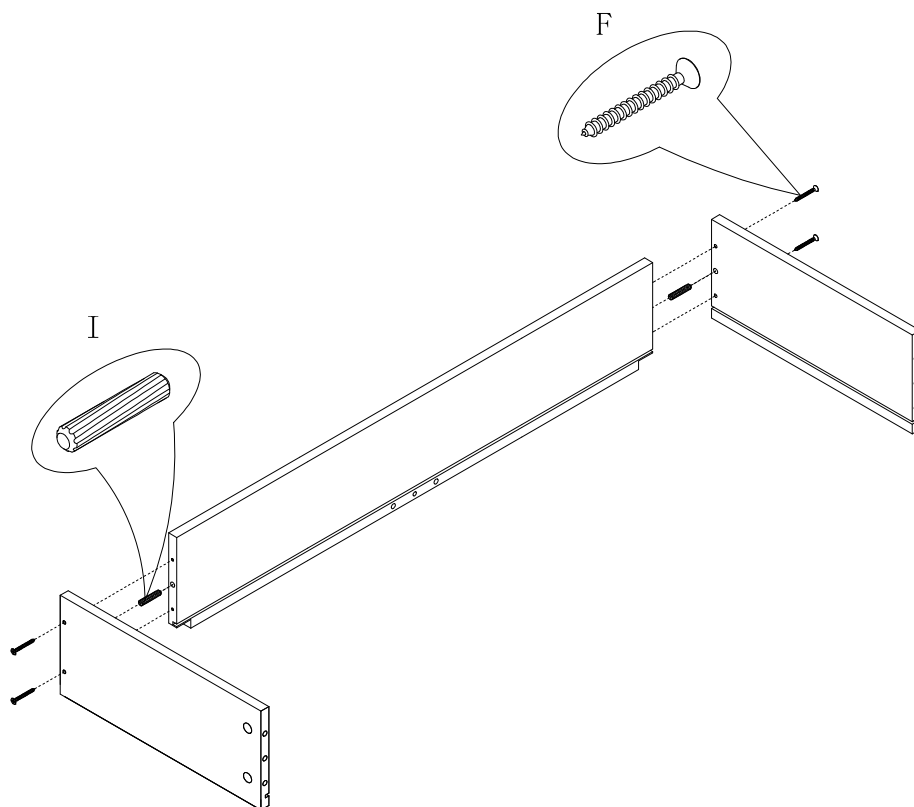
6

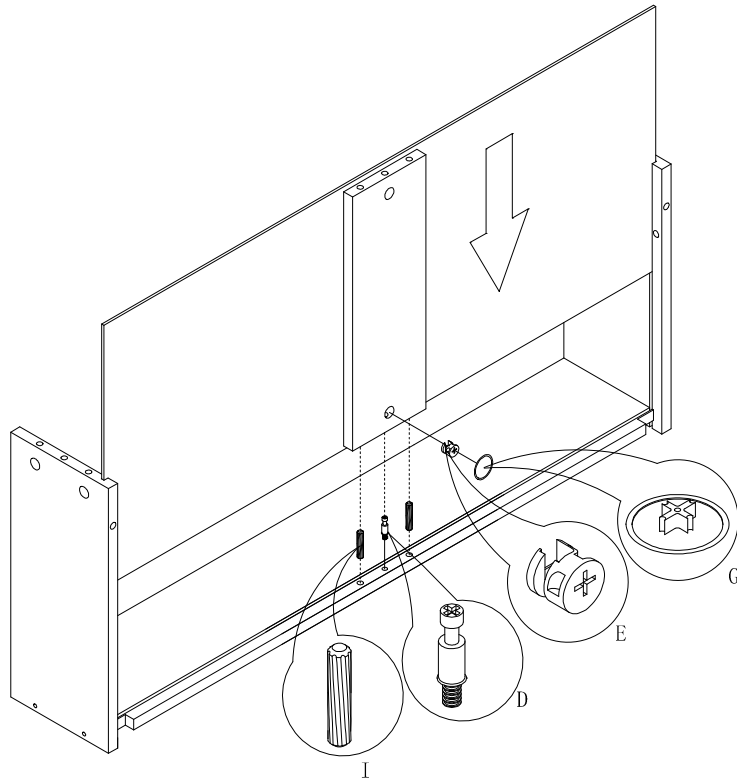




7

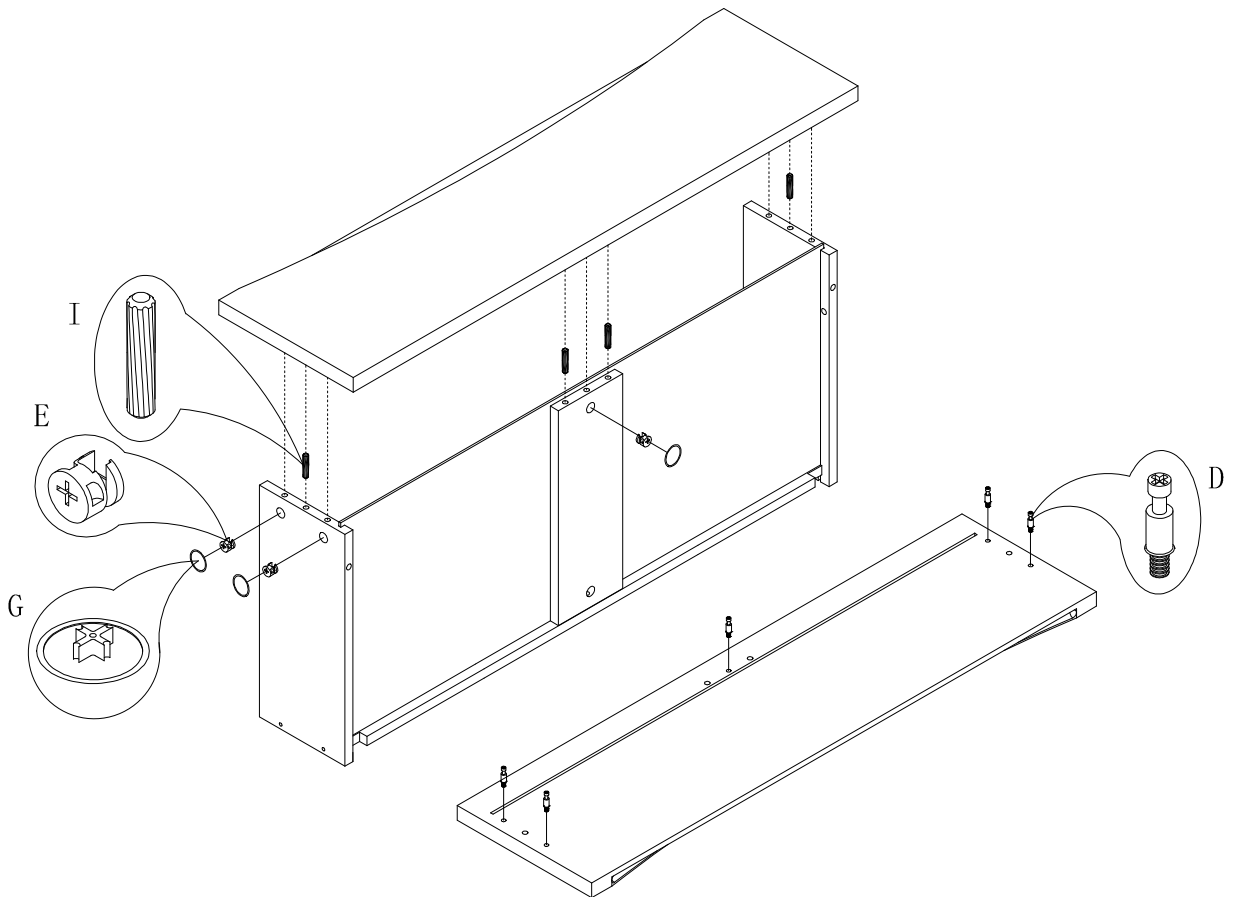
8

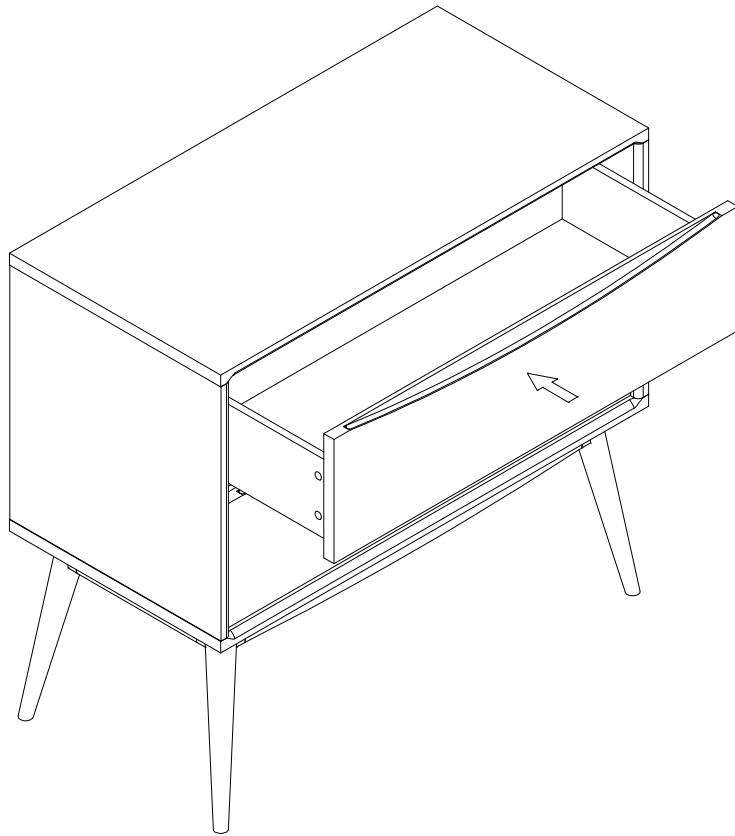




9

10





11

12

