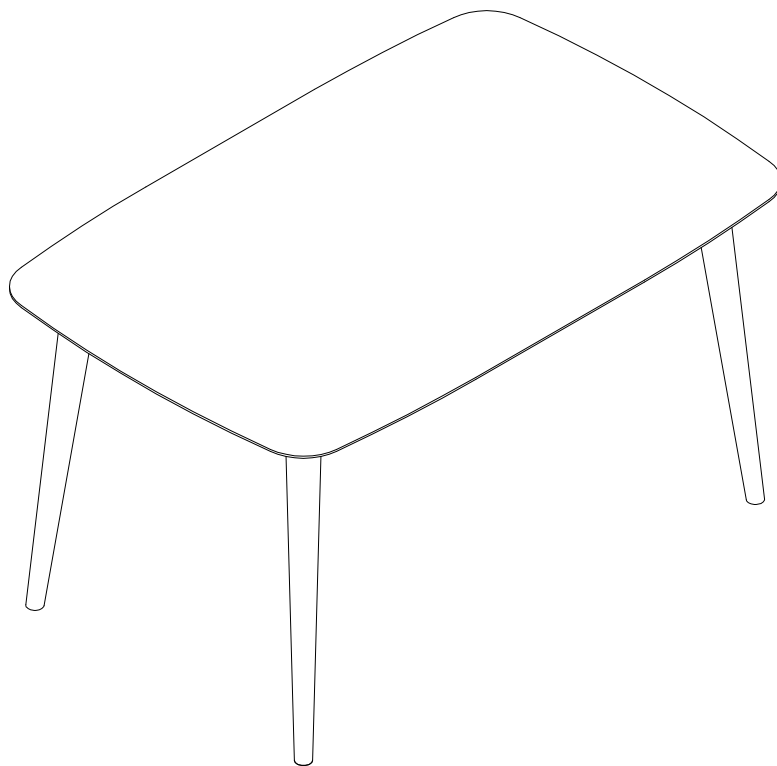


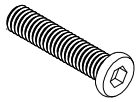
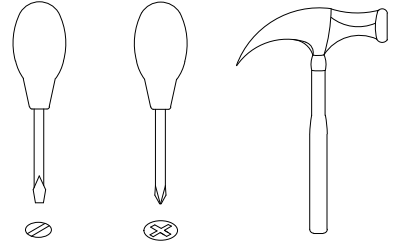
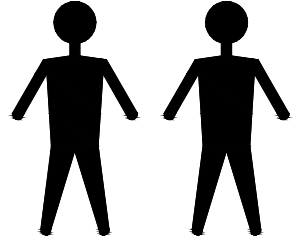
MOD
interiors

CP1802D

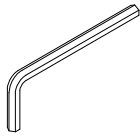


EAC

CP1802D



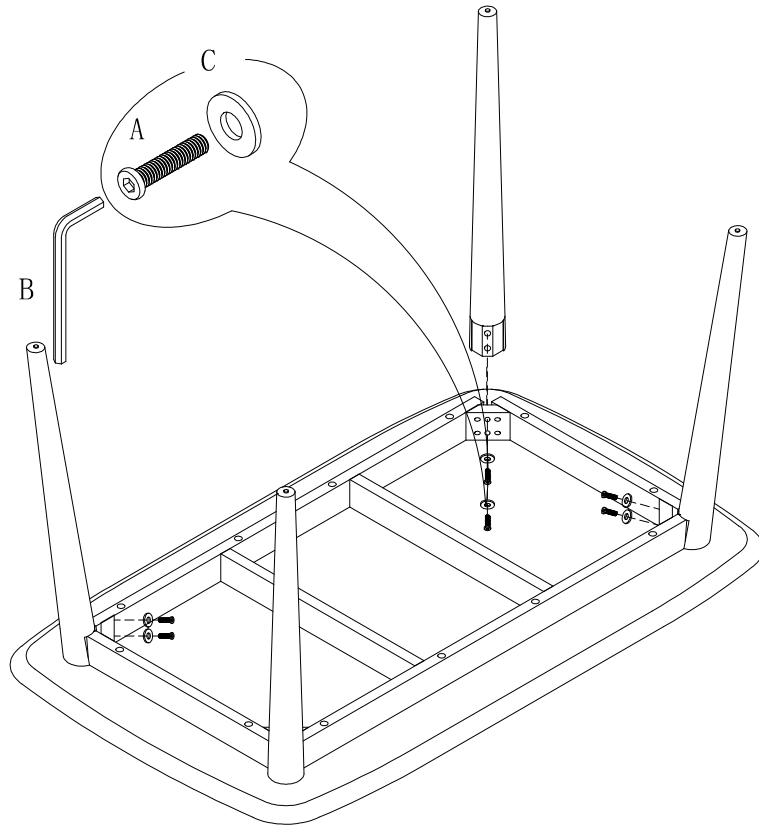
A x8
Spec: 5/16*L60



B x1
Spec: 5#



C x8
Spec: $\phi 8 * \phi 18$



1
