

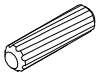
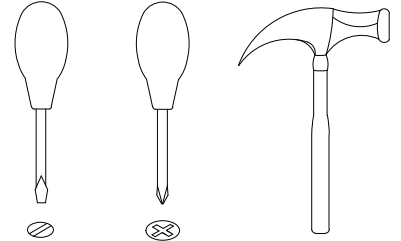
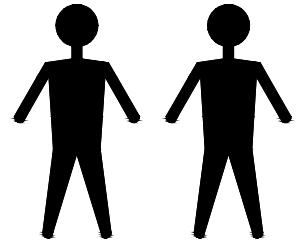
MOD  
interiors

# CP1802DK

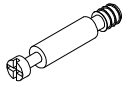


**EAC**

# # CP1802DK



A x12  
Spec:  $\phi 8 \times 30$



B x20  
Spec:  $\phi 7 \times L30$



C x20  
Spec:  $\phi 15 \times H12$



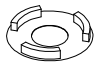
D x8  
Spec:  $\phi 6 \times L28$



E x8  
Spec:  $\phi 12 \times H9$



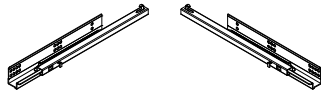
F x8  
Spec:  $\phi 6 \times 30$



G x20  
Spec:



H x8  
Spec:  $\phi 3.5 \times L35$



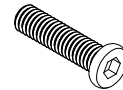
I x2  
Spec: L400



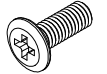
J x12  
Spec:  $\phi 6 \times L8$



K x5  
Spec:  $5/16 \times L30$



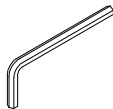
L x4  
Spec:  $5/16 \times L60$



M x4  
Spec: M6\*30



N x13  
Spec: M18\*8.2\*2



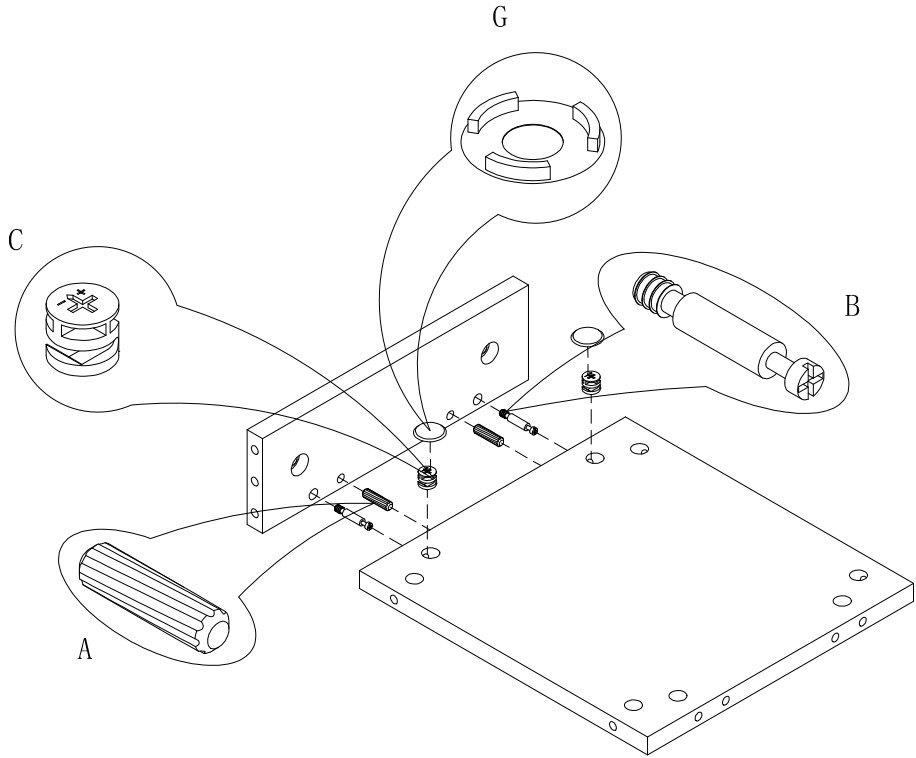
O x1  
Spec: 5#



P x8  
Spec:

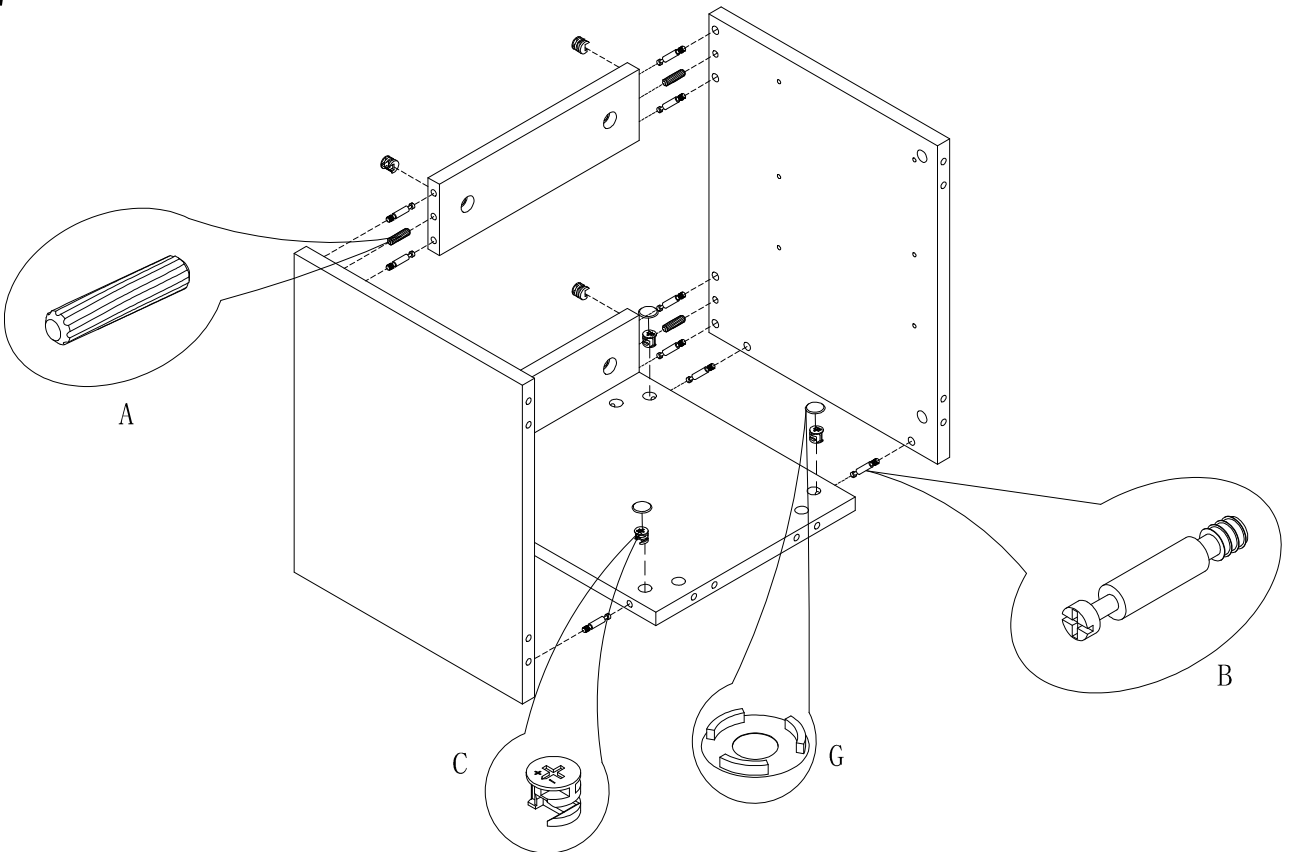


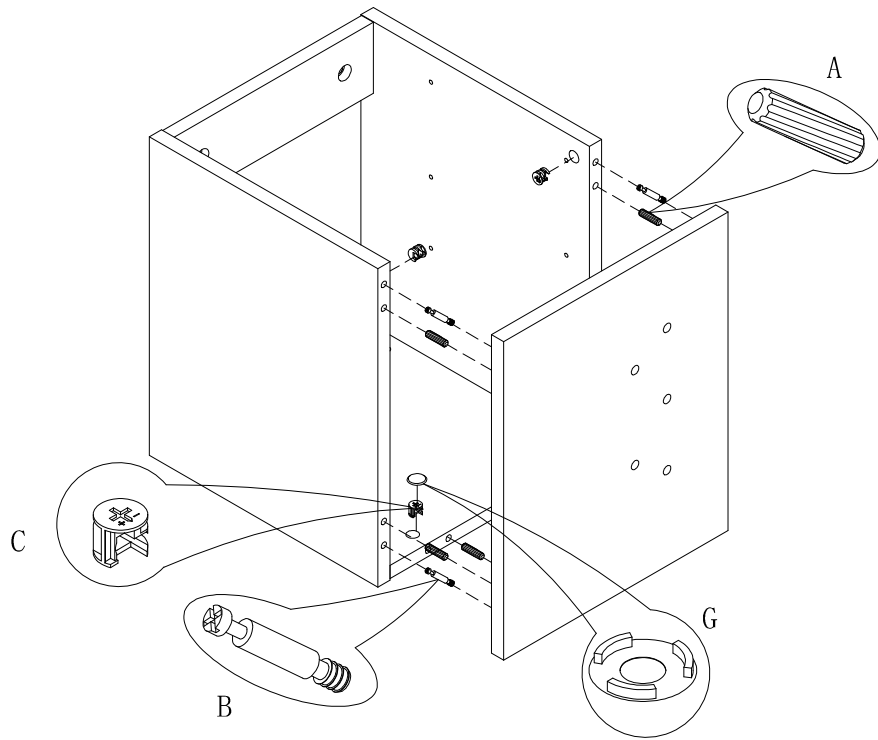
AAA x8  
Spec:  $\phi 3.8 \times L12$



1

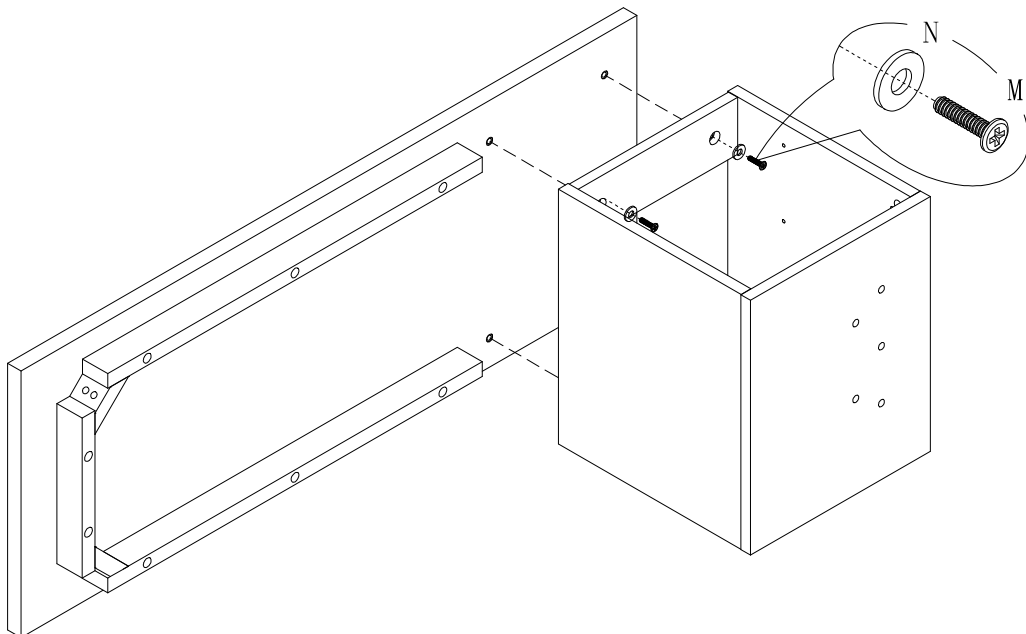
2

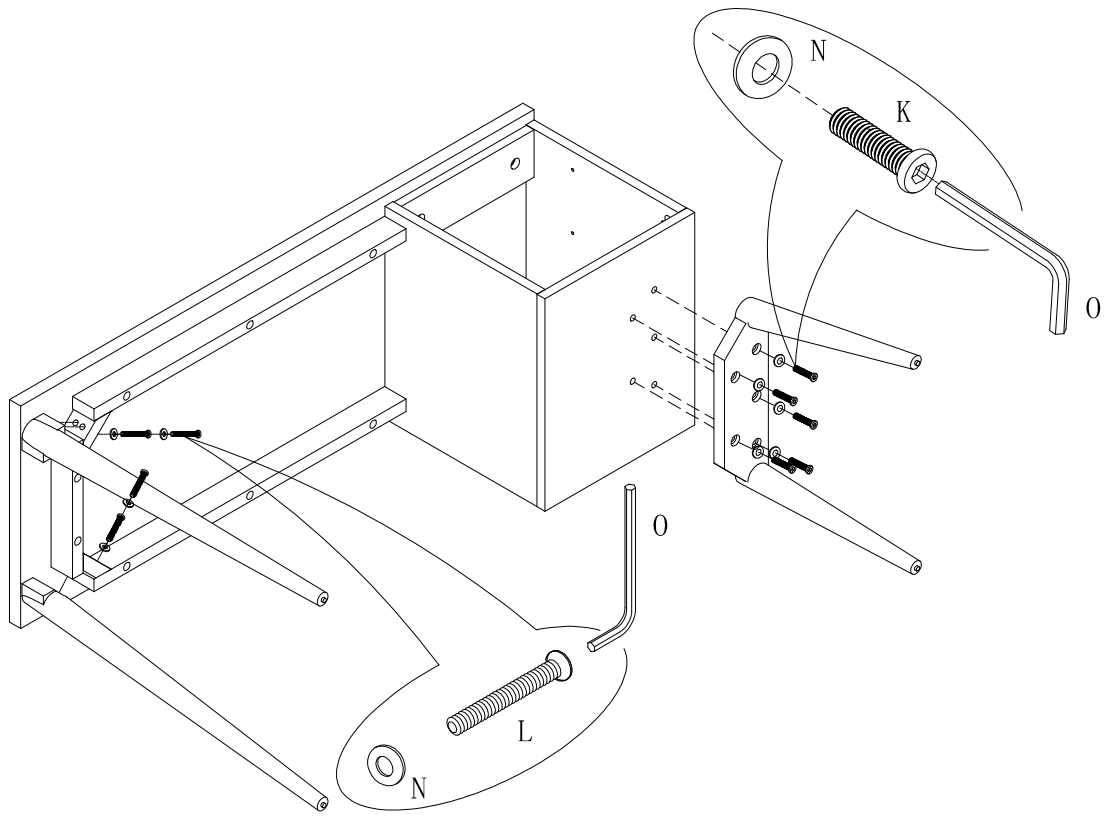




3

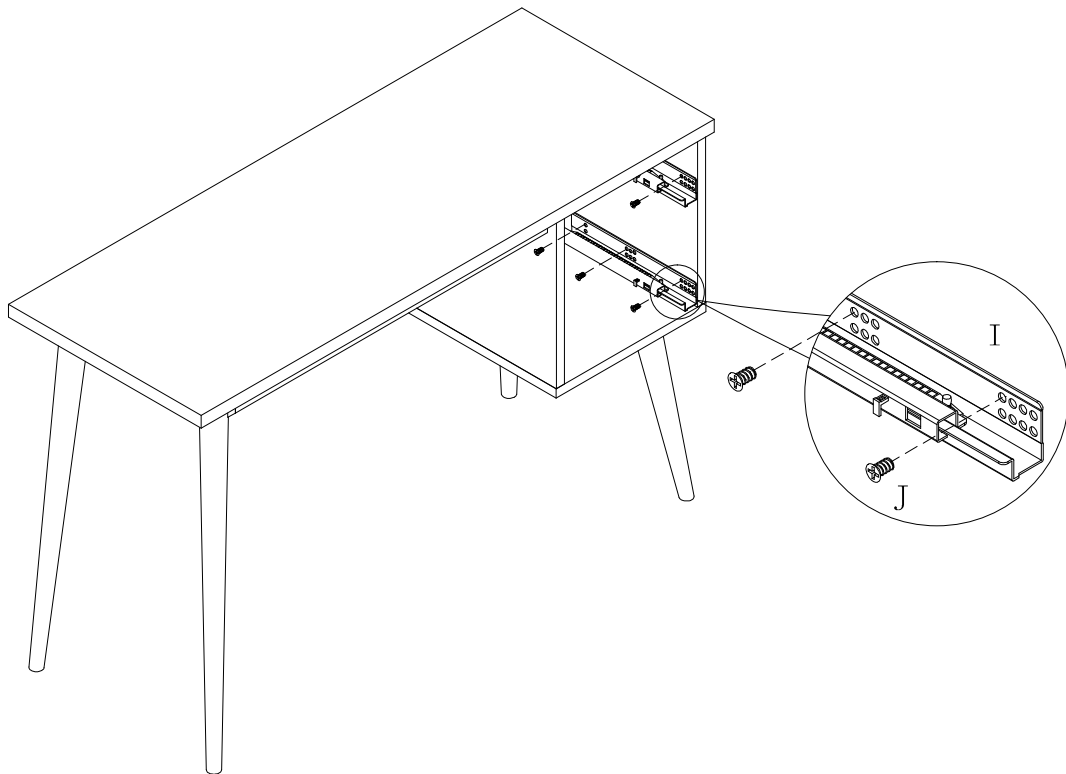
4

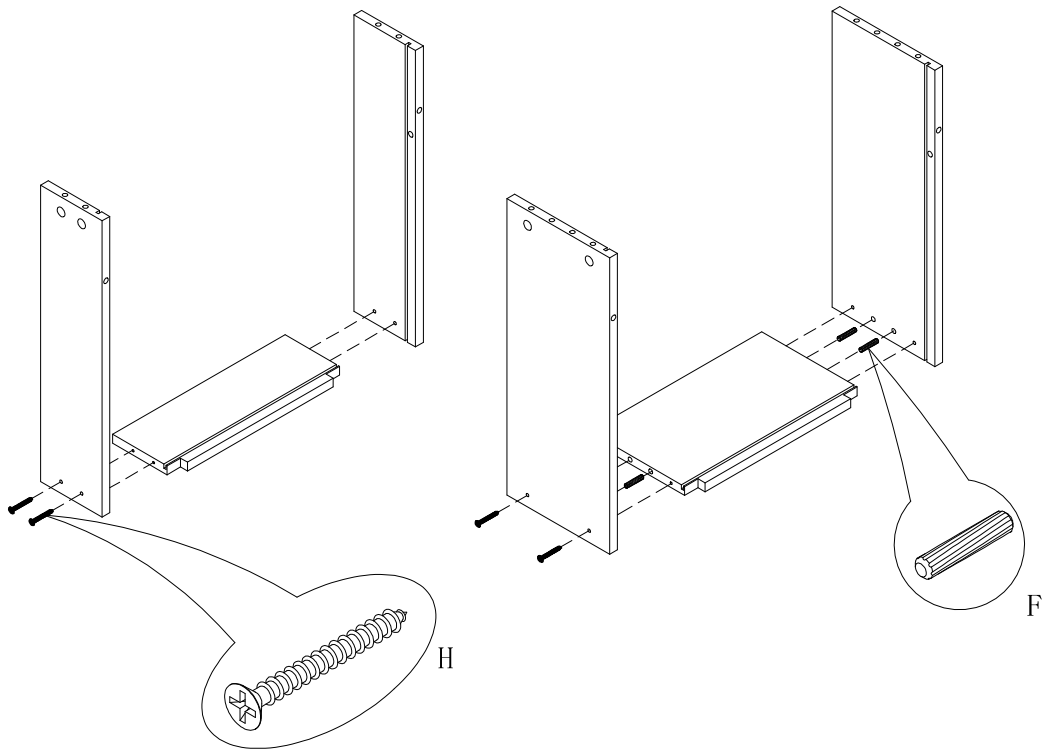




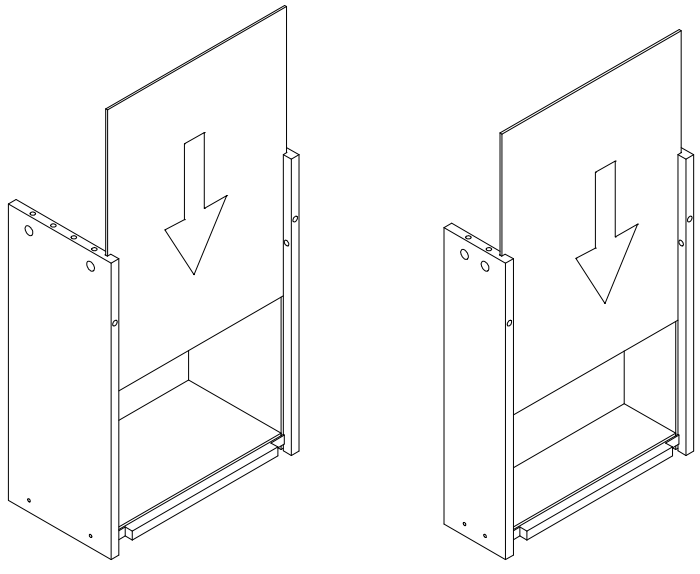
5

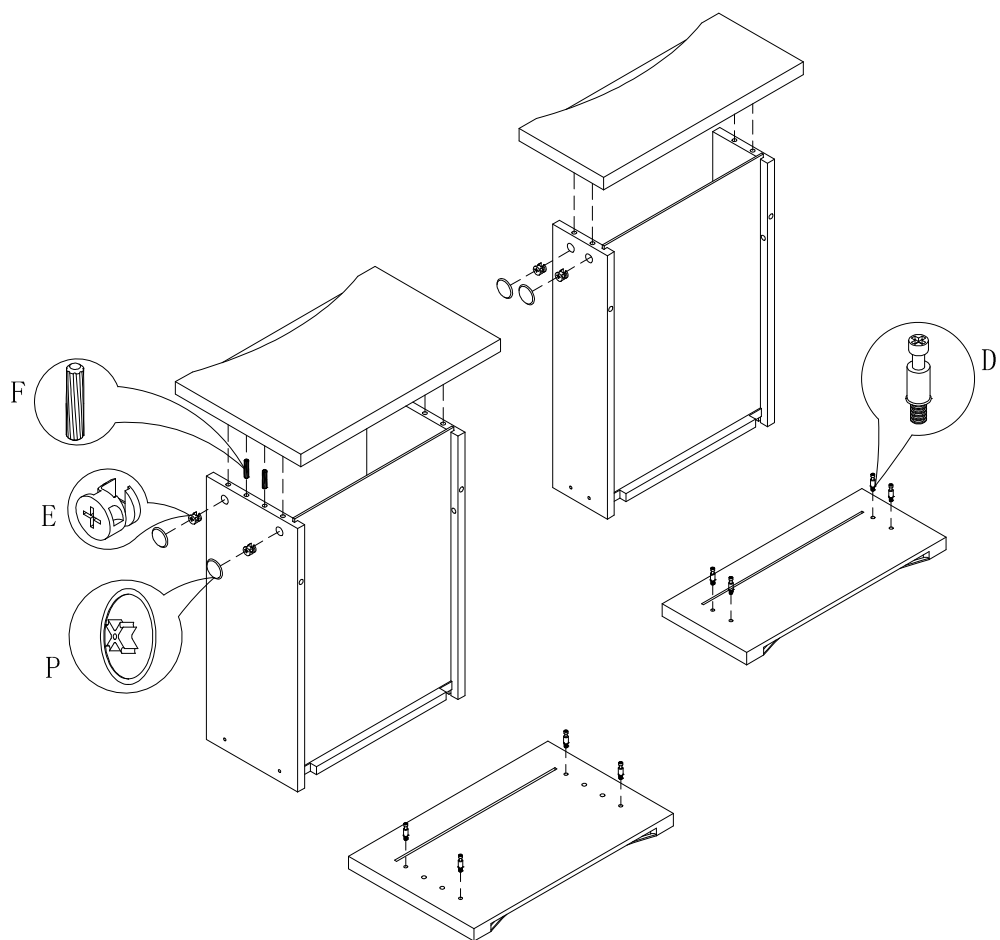
6





8





9

10

