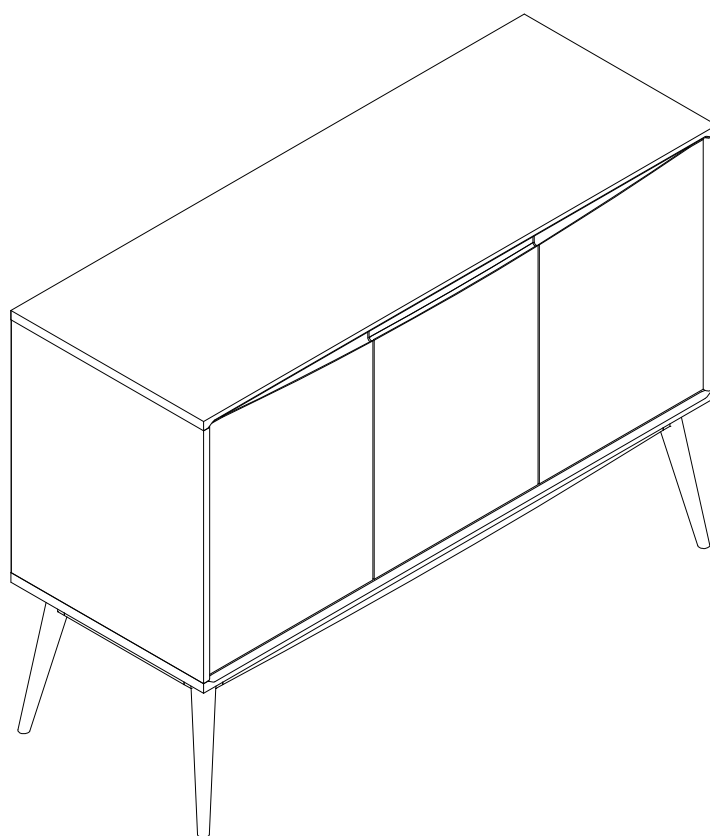
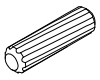
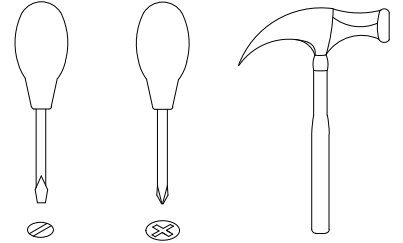
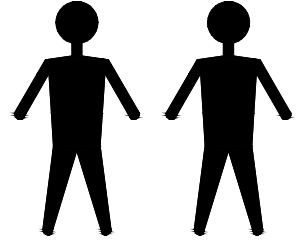


MOD
interiors
CP1802E-V/V

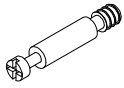


EAC

CP1802E-V/V



A x16
Spec: $\varnothing 8 \times 30$



B x16
Spec: $\varnothing 7 \times L30$



C x16
Spec: $\varnothing 15 \times H12$



D x12
Spec: H13



E x12
Spec: $\varnothing 3.5 \times L16$



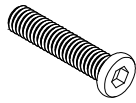
F x12
Spec: $\varnothing 5 \times L19$



G x12
Spec: $\varnothing 20 \times H12$



H x1
Spec: 5#



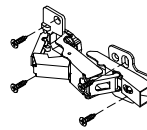
I x8
Spec: $5/16 \times L60$



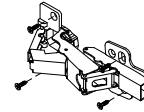
J x8
Spec: $\varnothing 8 \times \varnothing 18$



K x8
Spec:



L x4
Spec: 088#



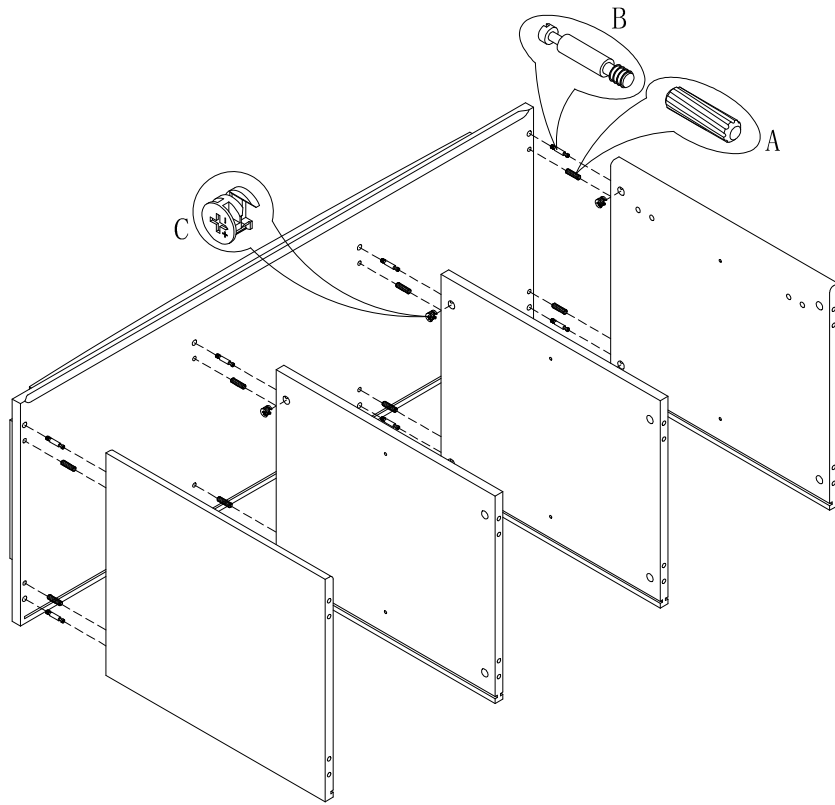
M x2
Spec: 078#



N x12
Spec: $3.8 \times L16$

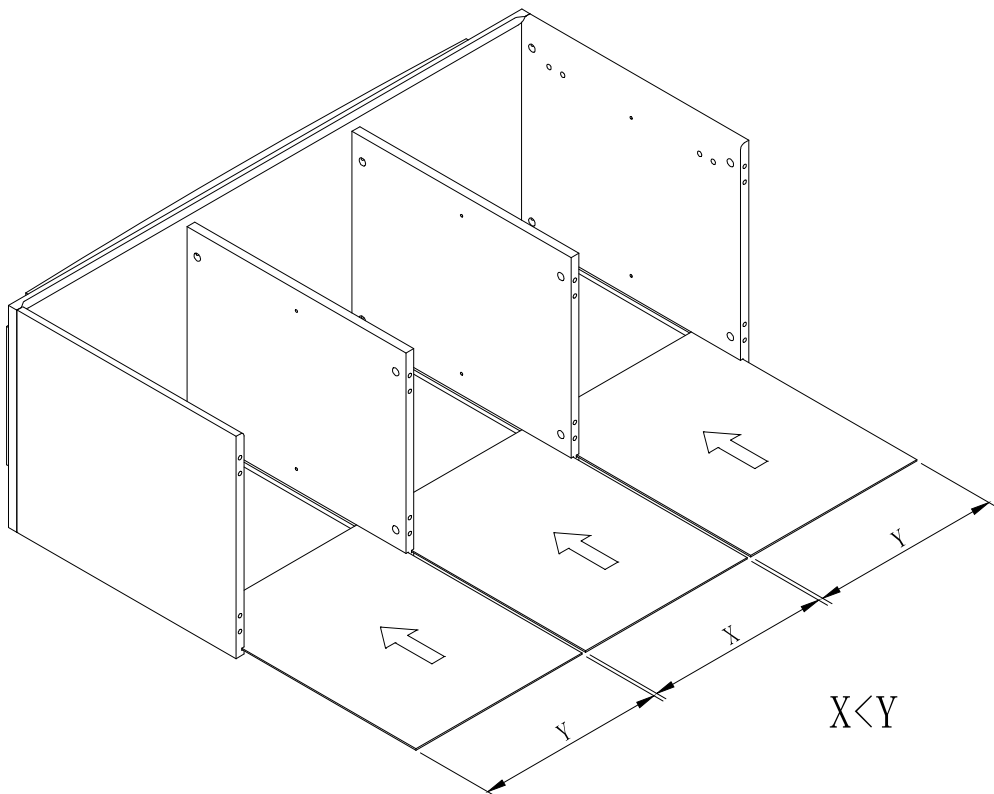


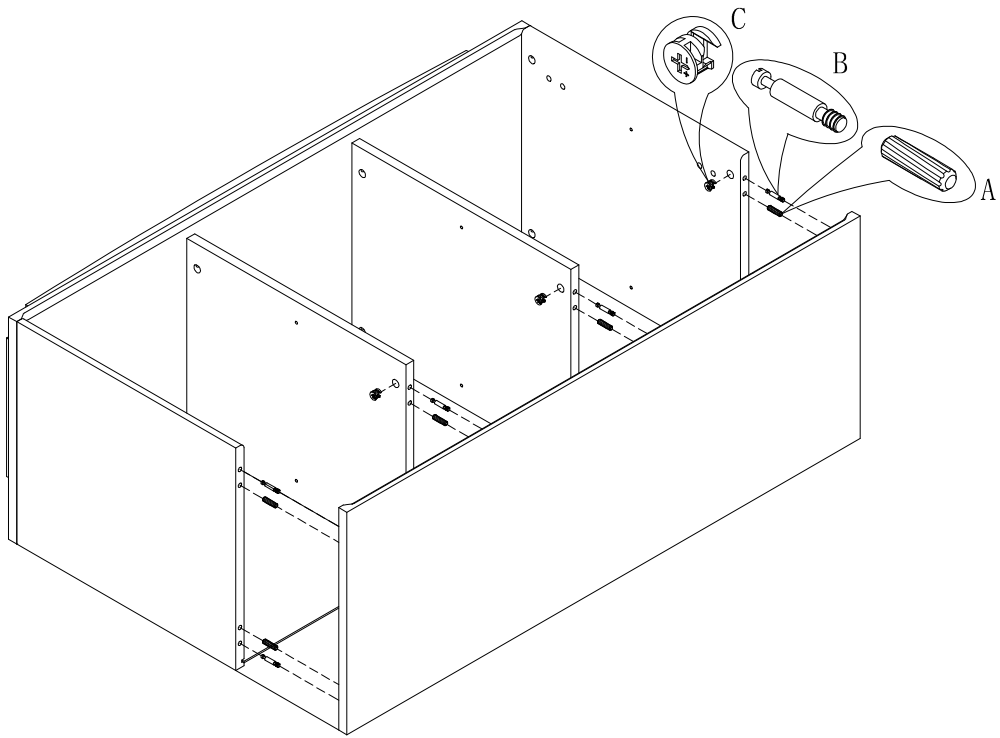
O x8
Spec:



1

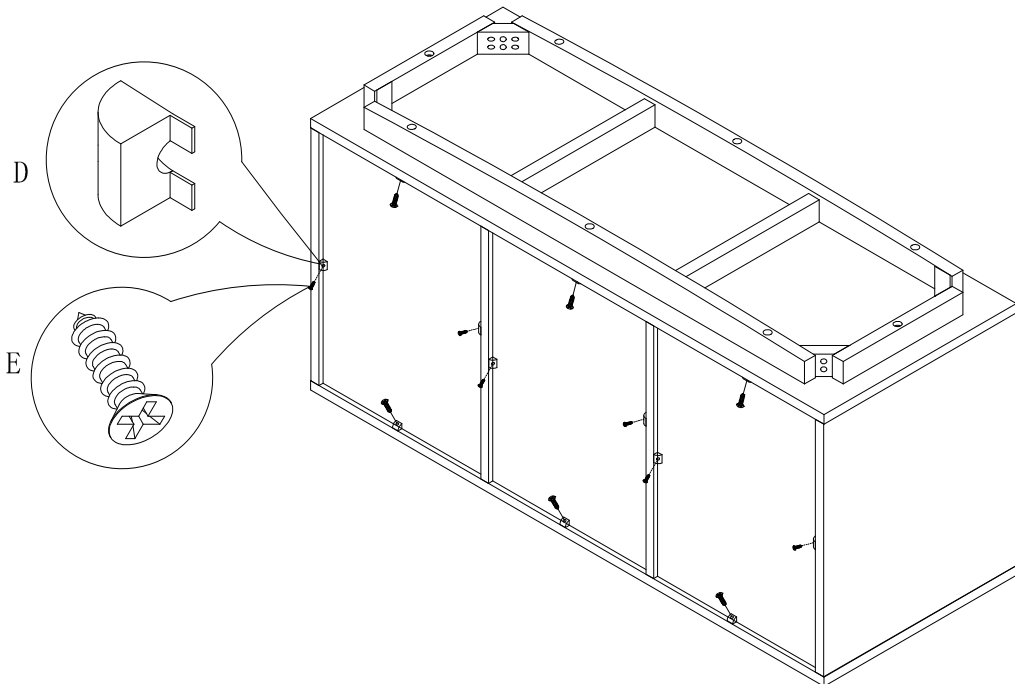
2

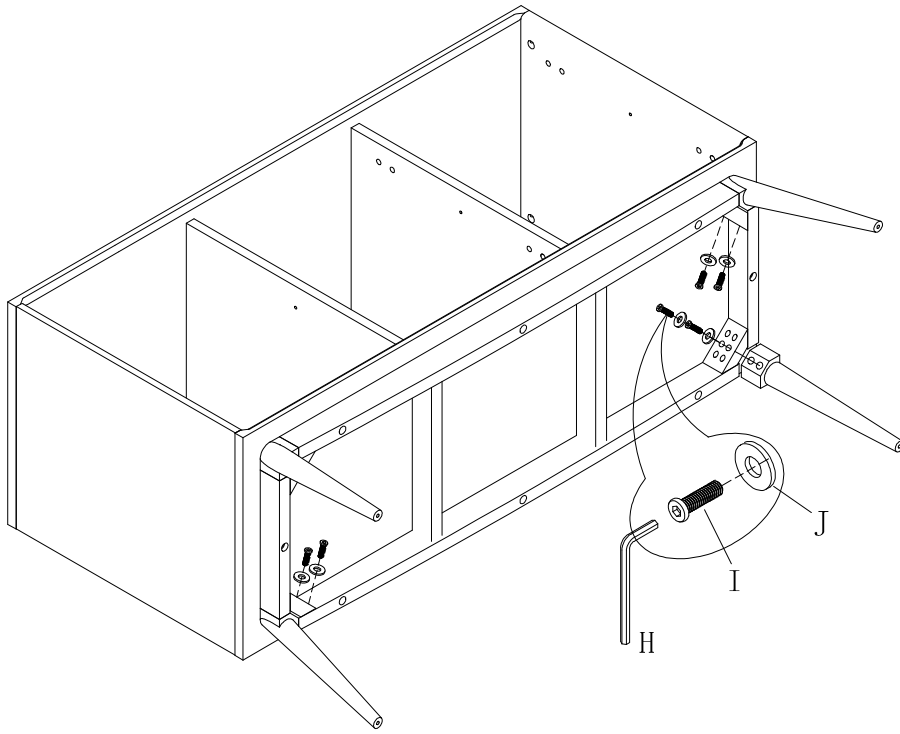




3

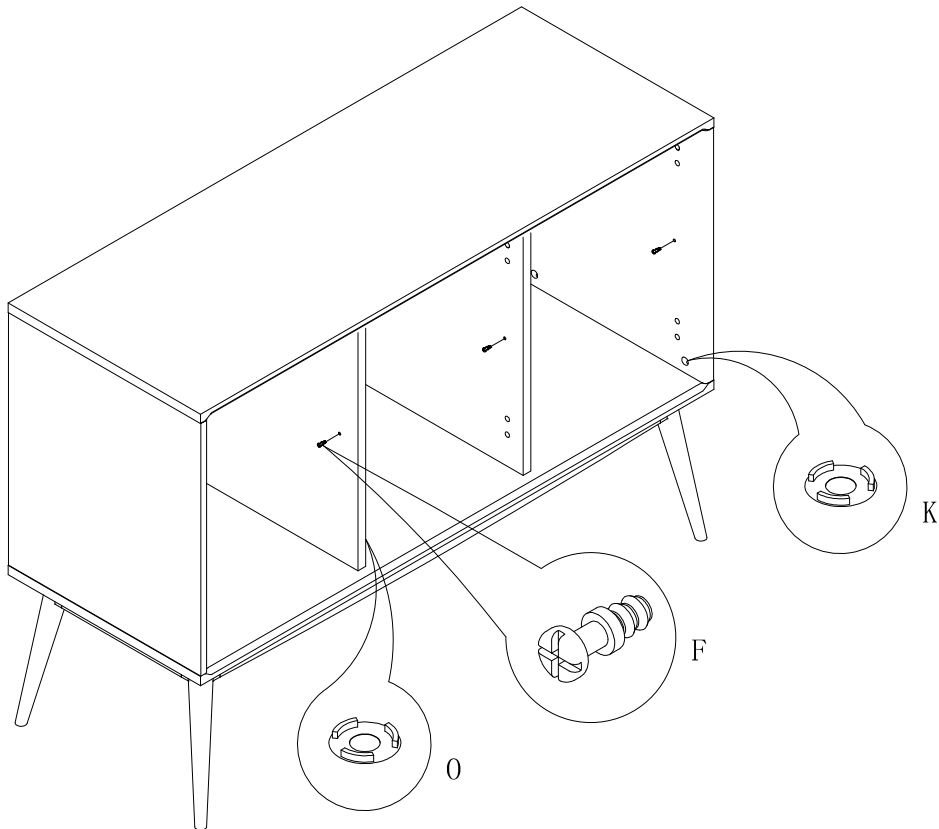
4

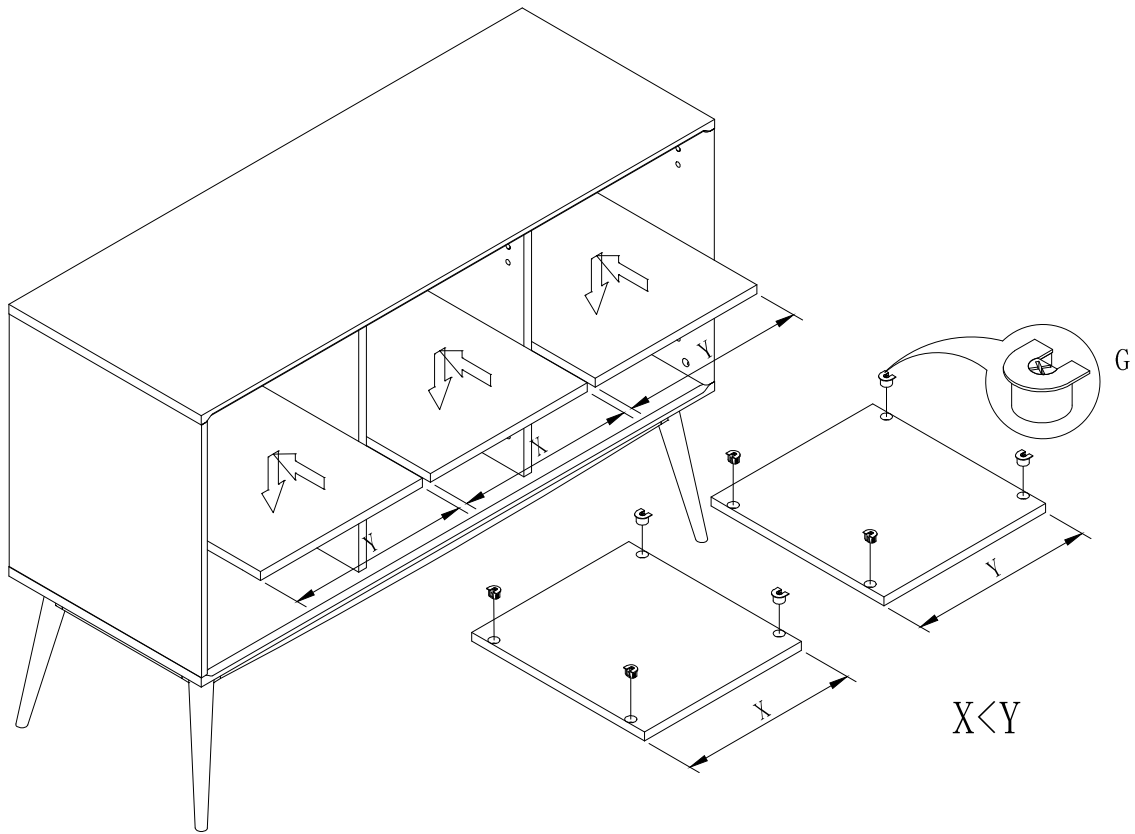




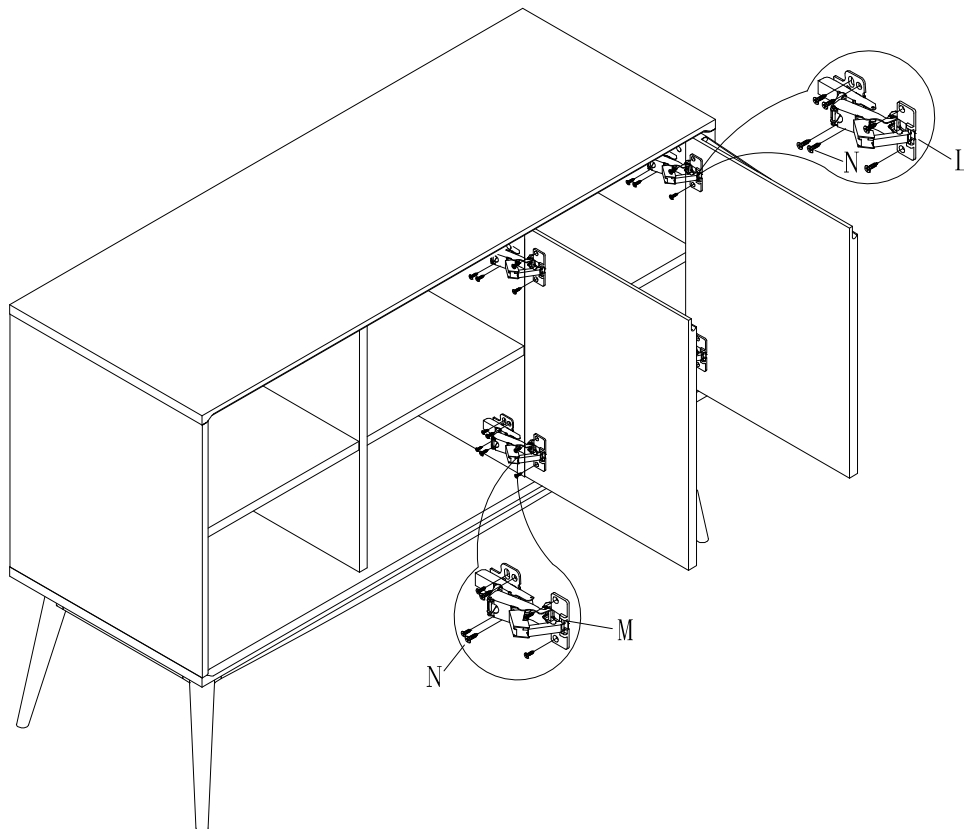
5

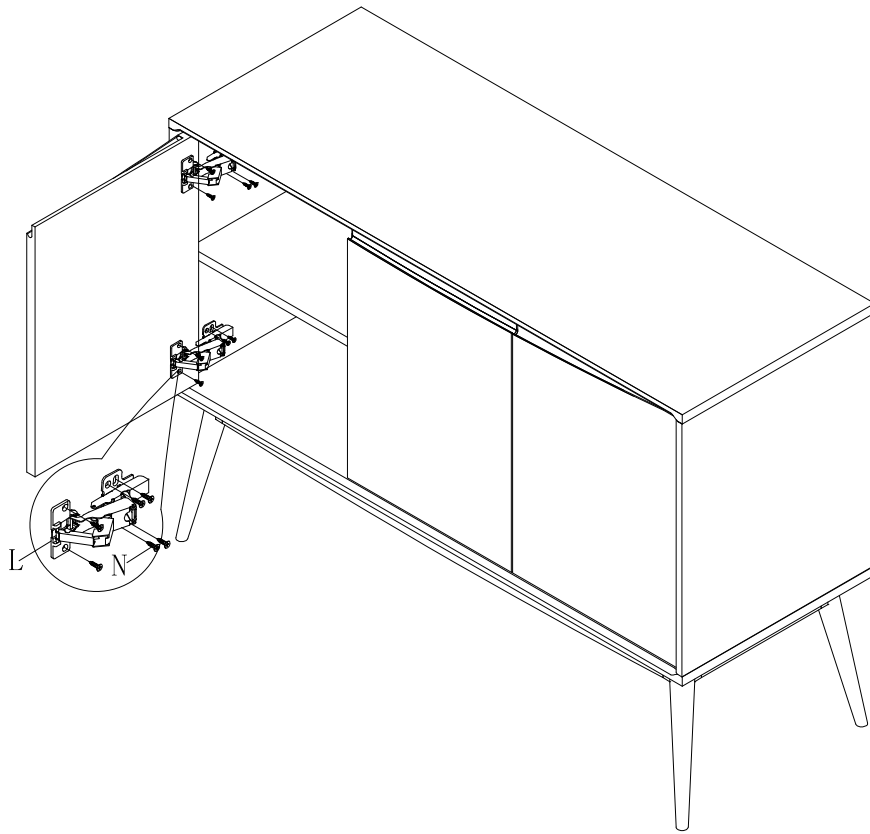
6





8





9

10

