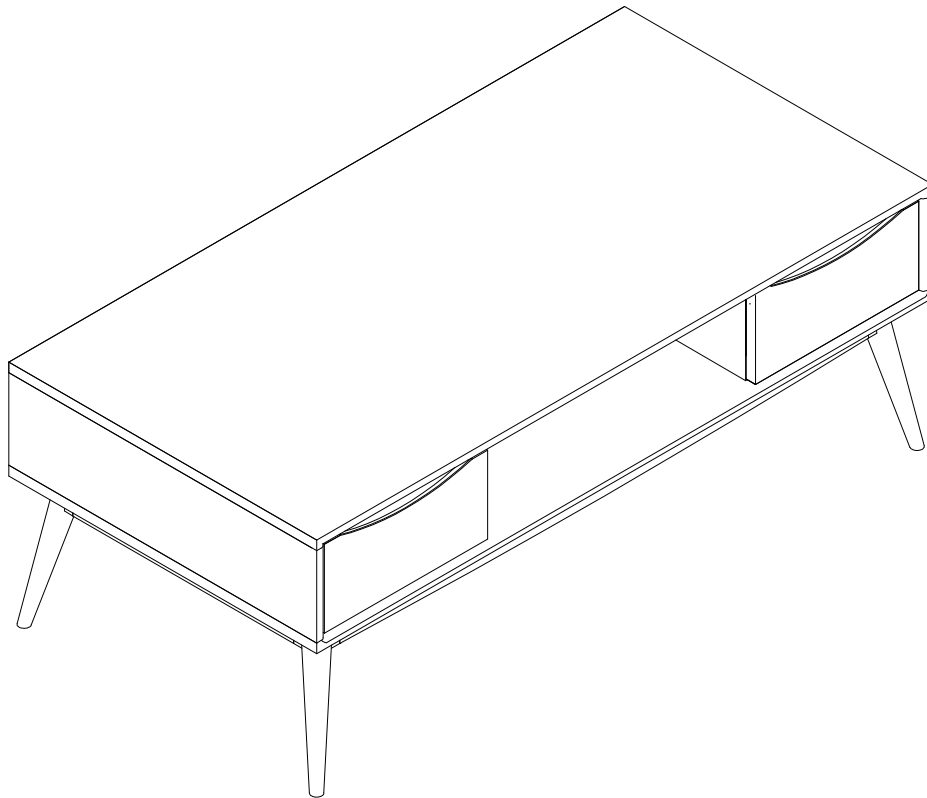


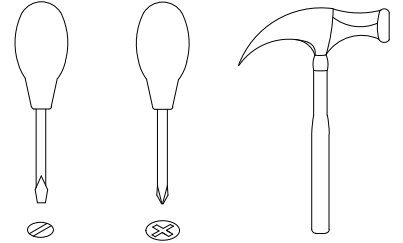
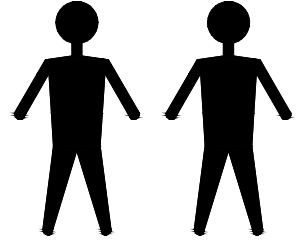
MOD
interiors

CP1802G-V/V

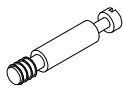


EAC

CP1802G-V/V



A x20
Spec: $\varnothing 8 \times 30$



B x24
Spec: $\varnothing 7 \times L30$



C x24
Spec: $\varnothing 15 \times H12$



D x8
Spec:



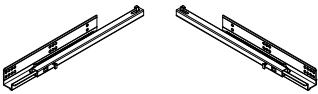
E x6
Spec:



F x12
Spec: $\varnothing 6 \times L8$



G x1
Spec: 5#



H x2
Spec: L400



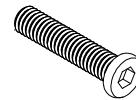
I x8
Spec: $\varnothing 3.5 \times L35$



J x8
Spec: $\varnothing 6 \times L28$



K x8
Spec: $\varnothing 12 \times H9$



L x8
Spec: 5/16 $\times L60$



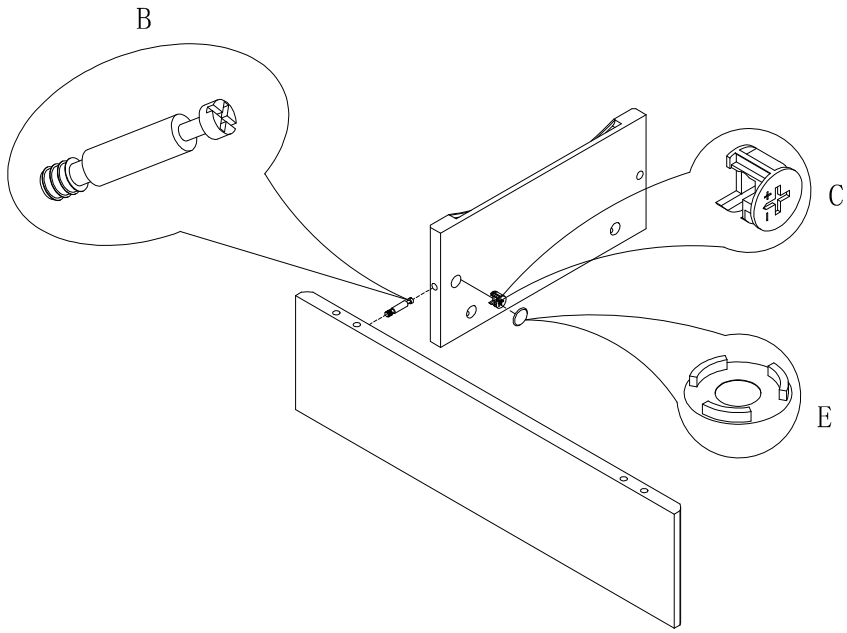
M x8
Spec: M18 $\times 8.2 \times 2$



N x18
Spec:

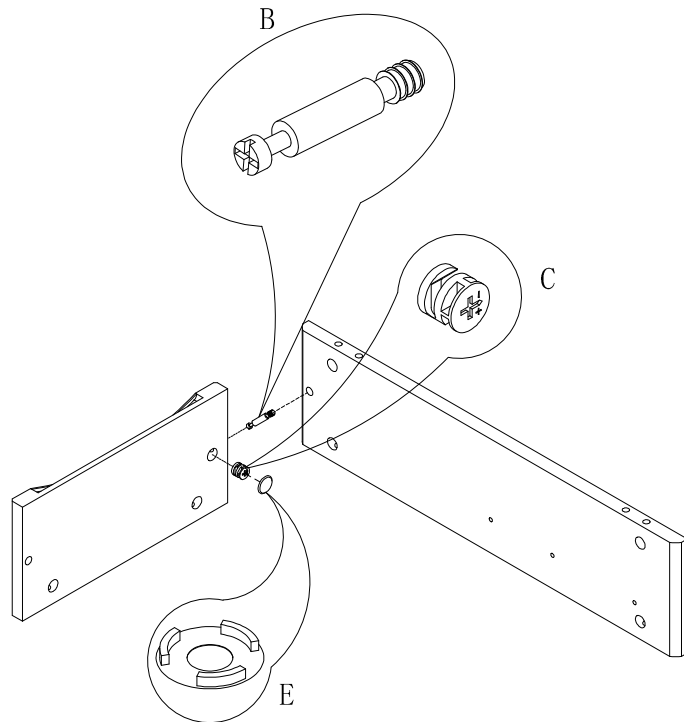


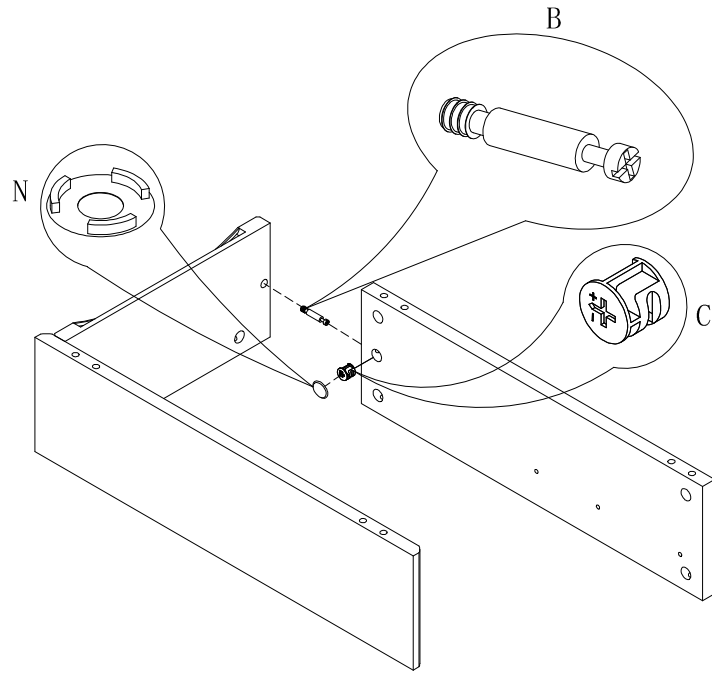
AAA x8
Spec: $\varnothing 3.8 \times L12$



1

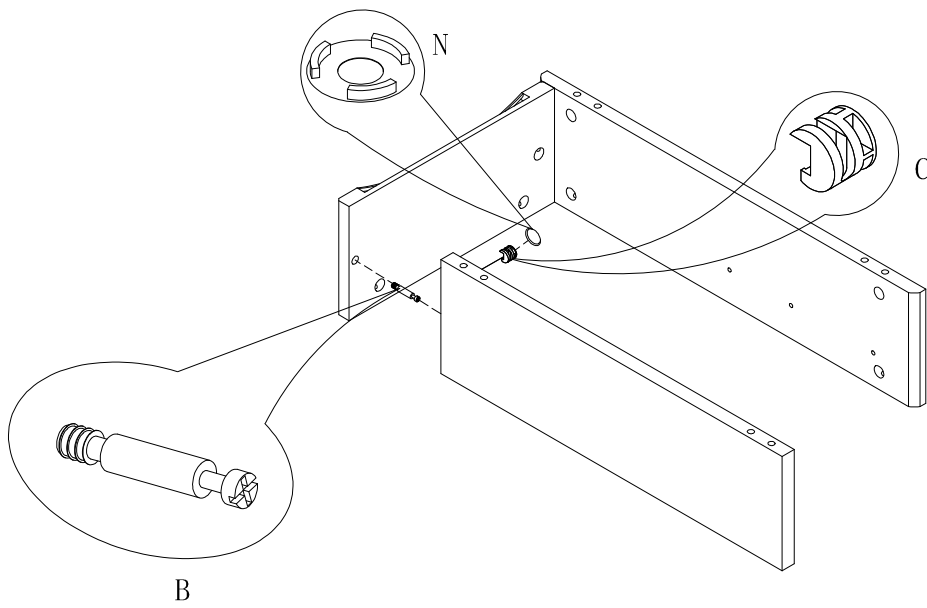
2

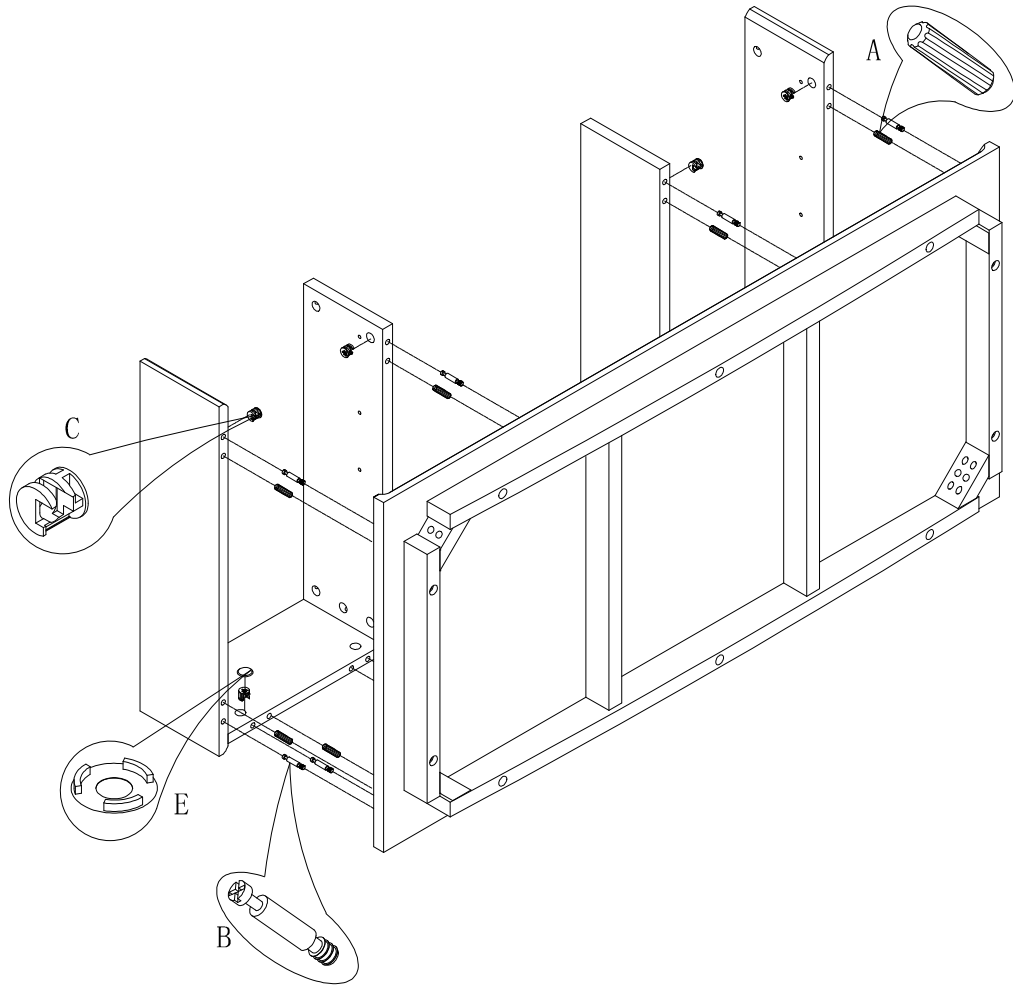




3

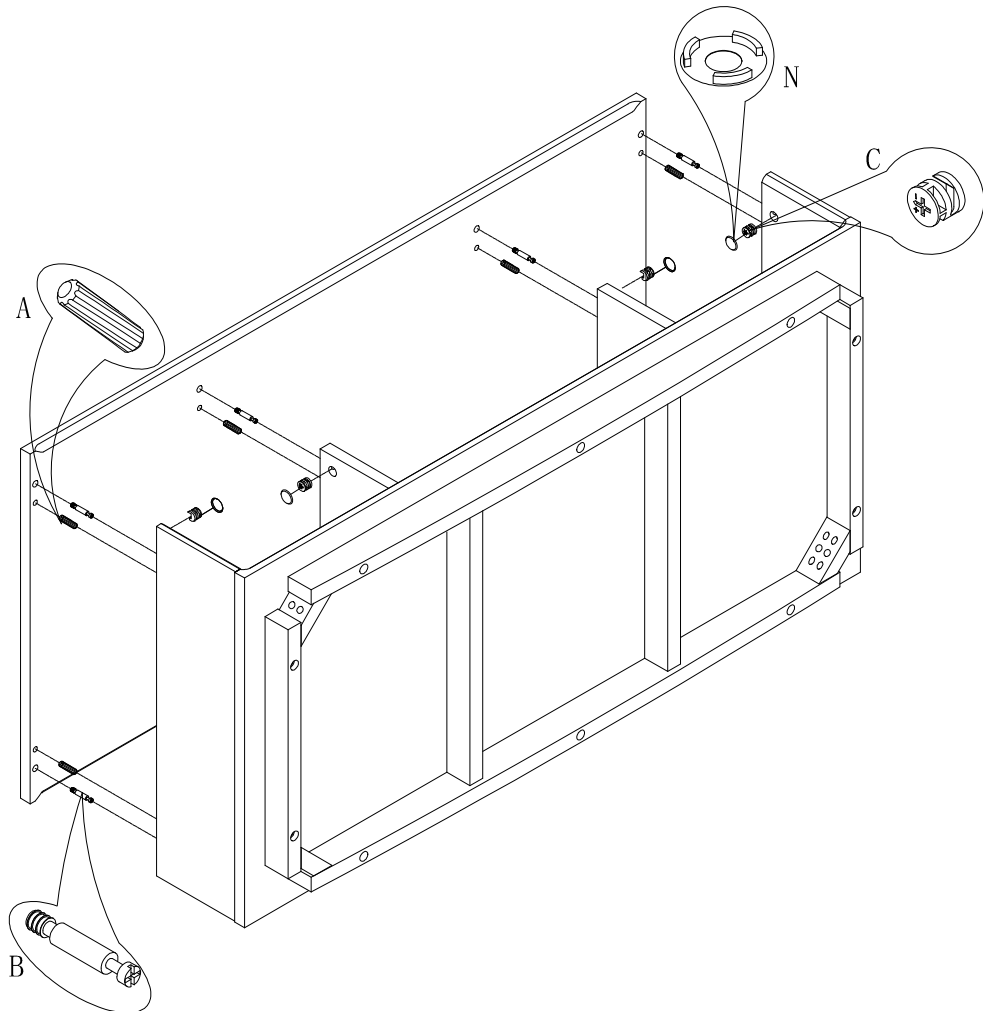
4

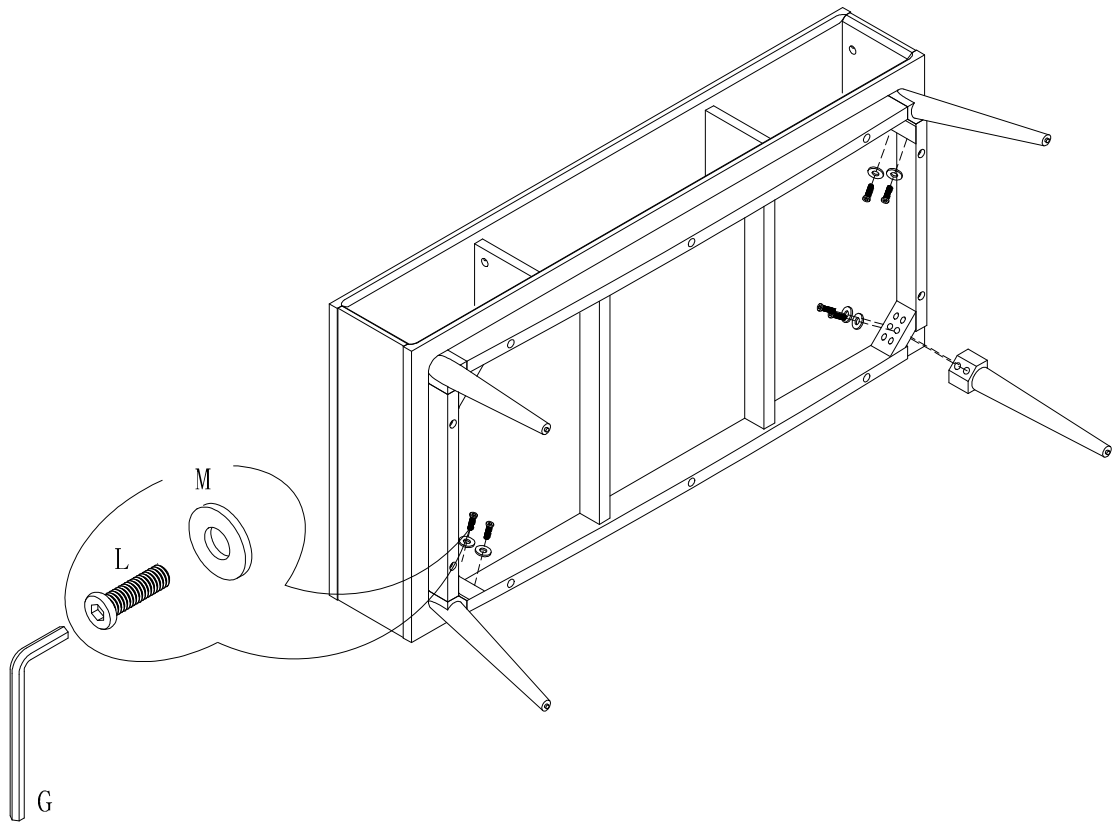




5

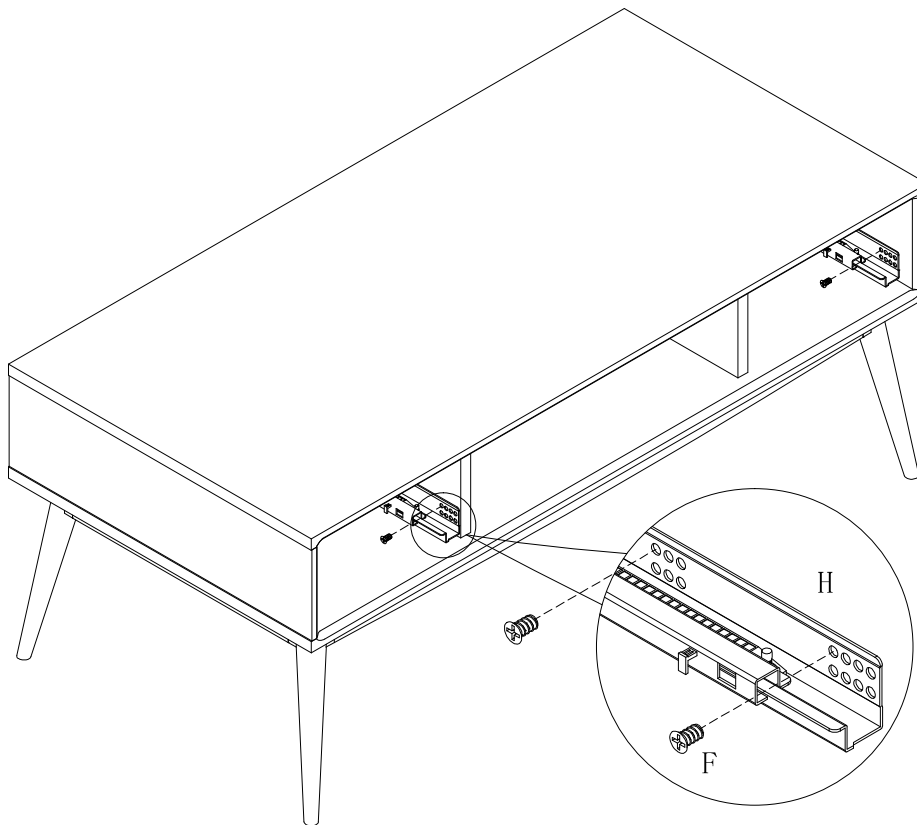
6

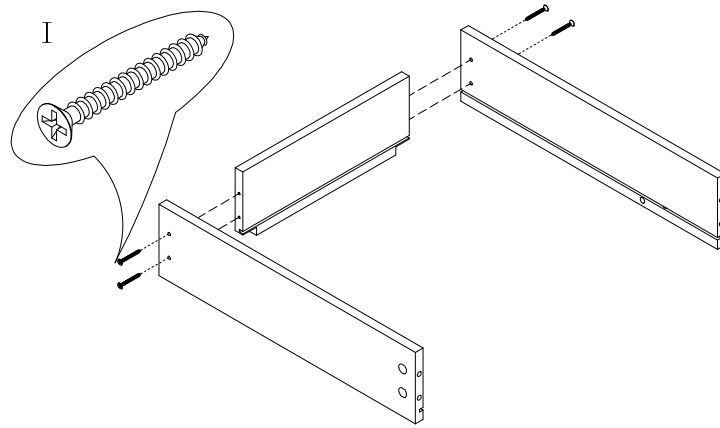




7

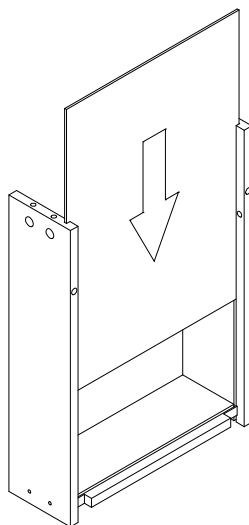
8

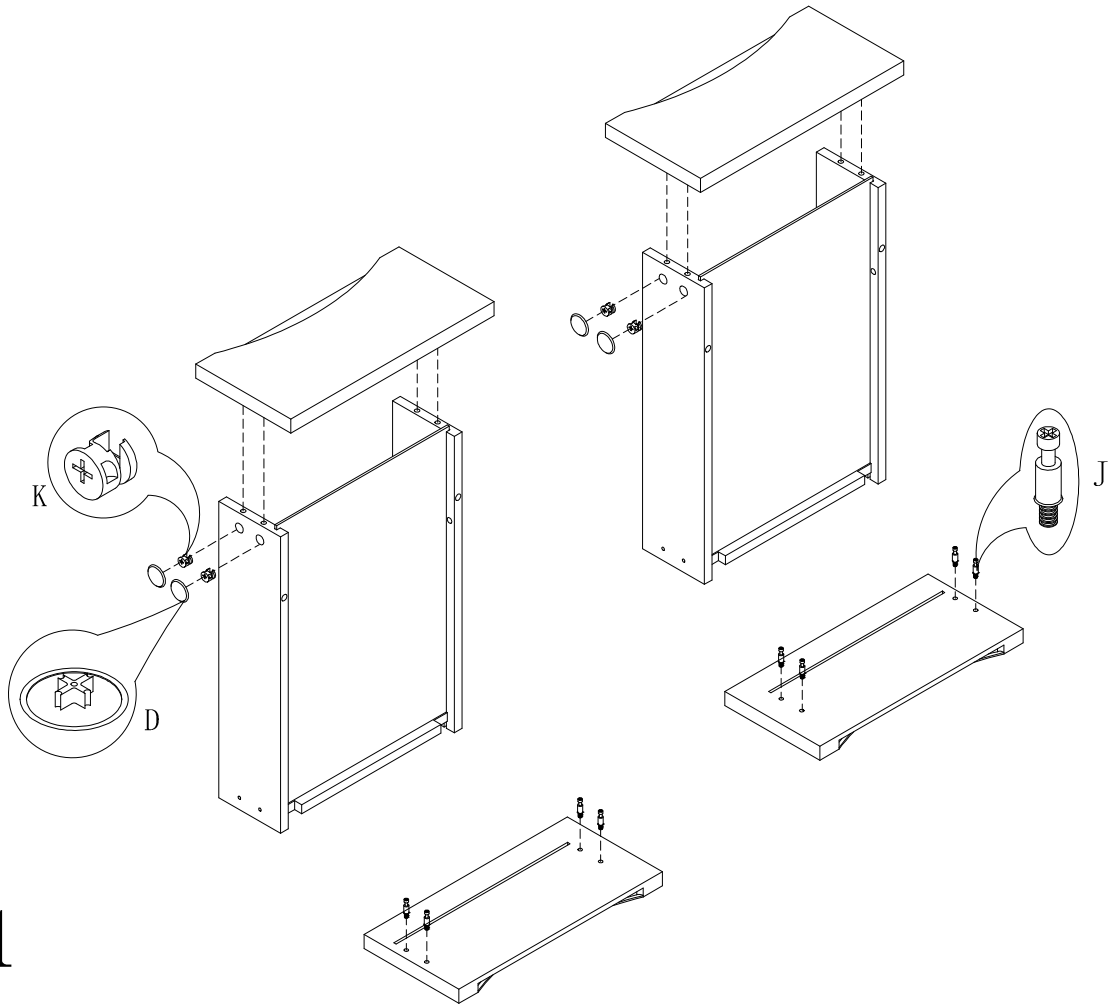




9

10





11

12

