

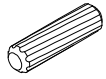
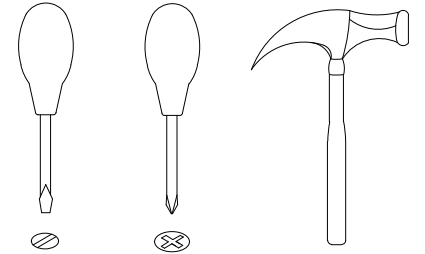
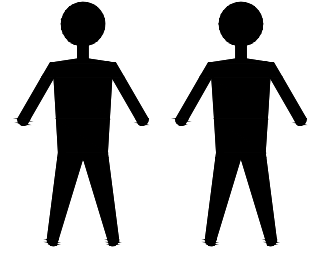
MOD
interiors

CP1802H

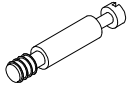


EAC

CP1802H



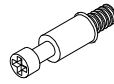
A x8
Spec: $\phi 8 \times 30$



B x8
Spec: $\phi 7 \times L30$



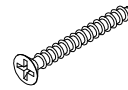
C x8
Spec: $\phi 15 \times H12$



D x4
Spec: $\phi 6 \times L28$



E x4
Spec: $\phi 12 \times H9$



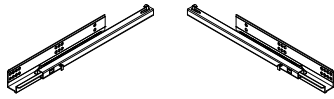
F x4
Spec: $\phi 3.5 \times L35$



G x4
Spec:



H x6
Spec: $\phi 6 \times L8$



I x1
Spec: L300



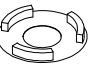
J x4
Spec: $\phi 3.5 \times L16$



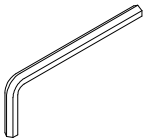
K x4
Spec: H13



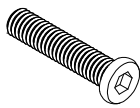
AAA x4
Spec: $\phi 3.8 \times L12$



M x8
Spec:



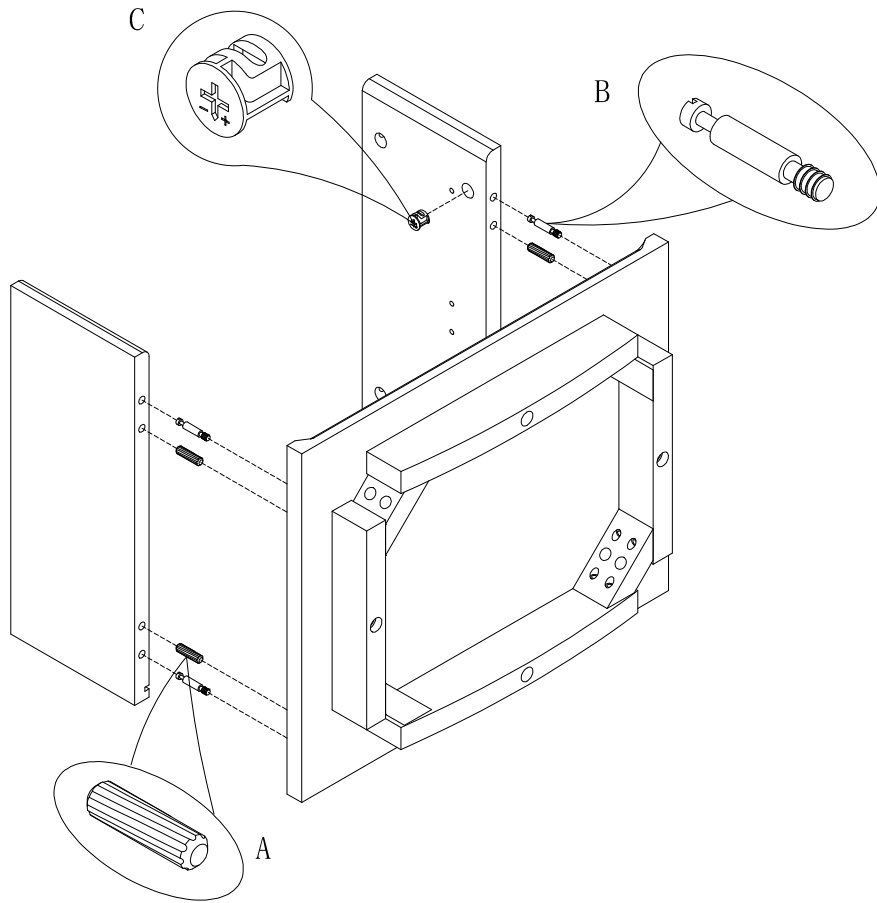
N x1
Spec: 5#



O x8
Spec: $5/16 \times L60$

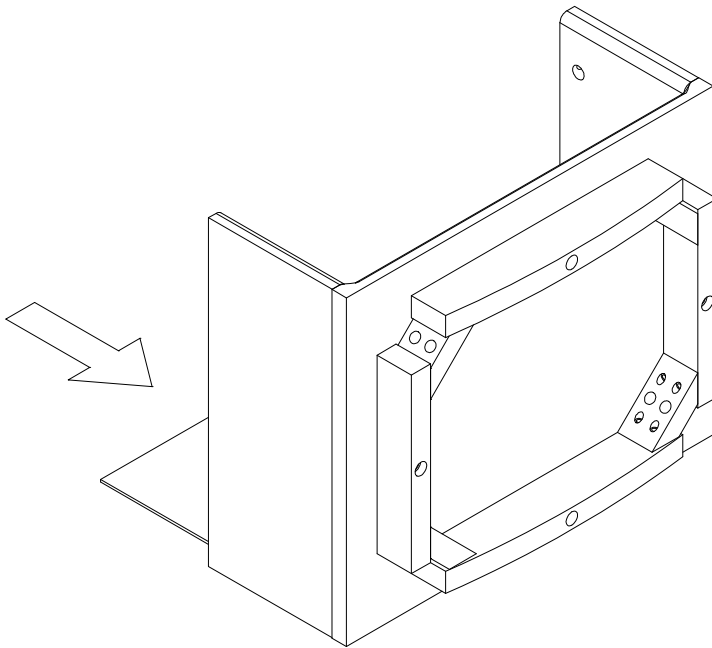


P x8
Spec: $\phi 8 \times \phi 18$

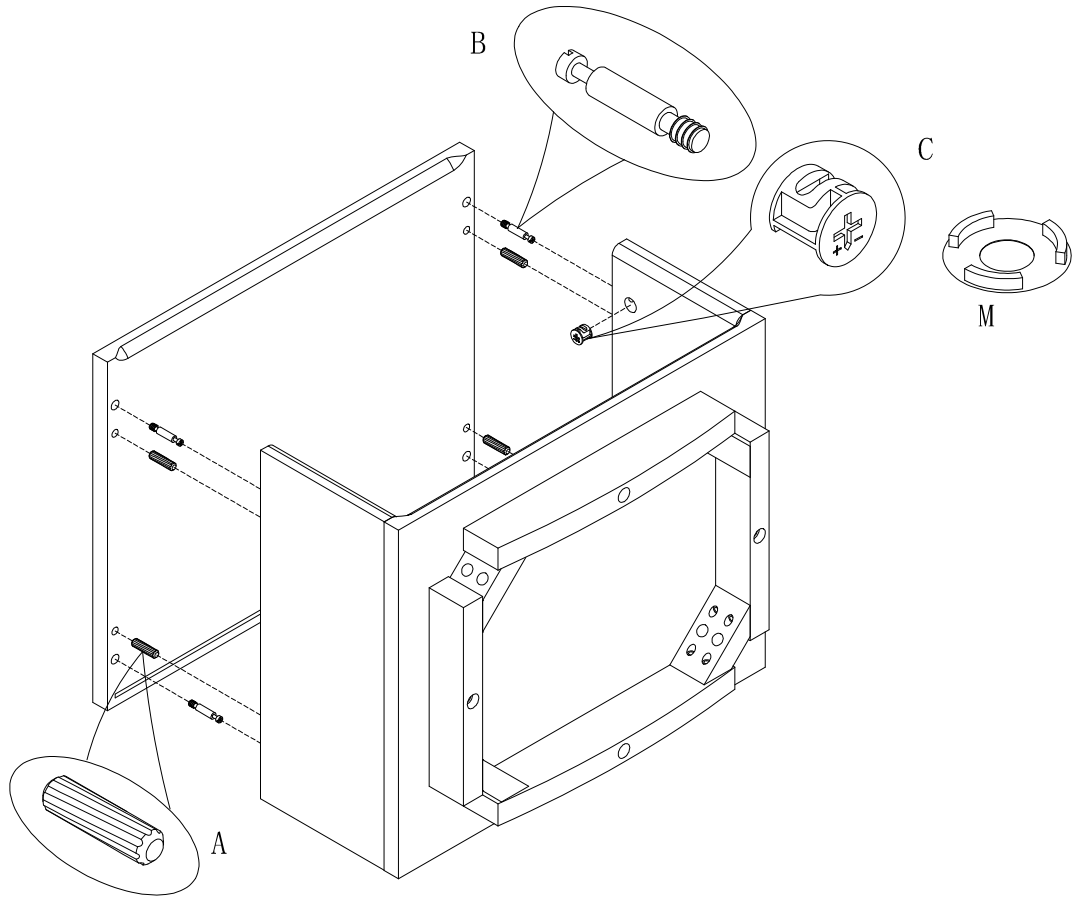


1

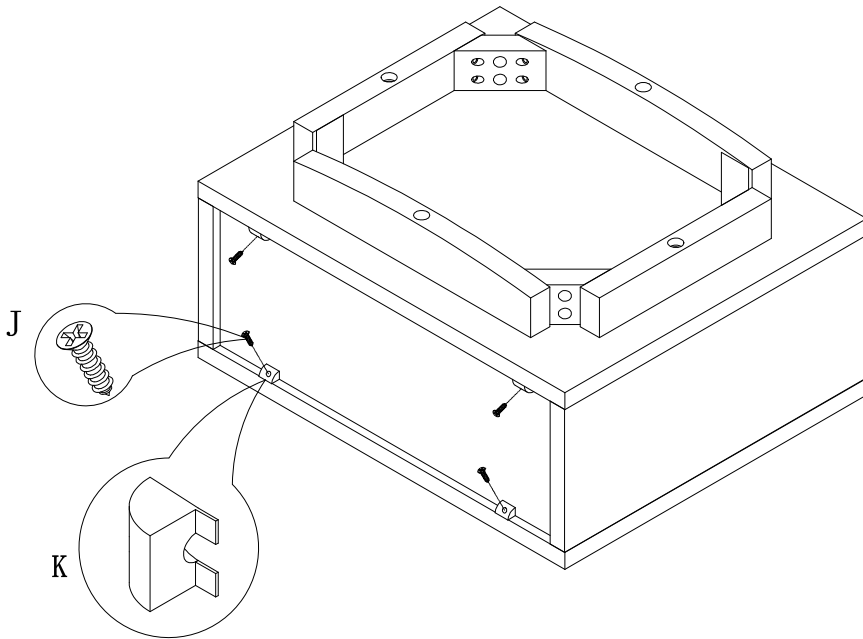
2

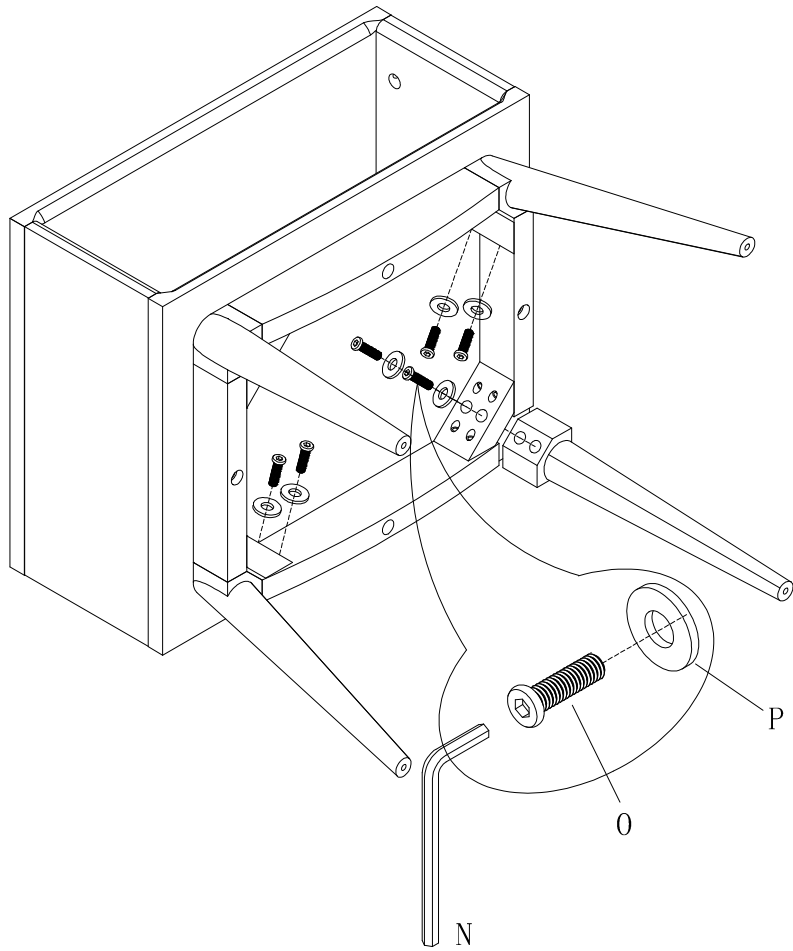


3



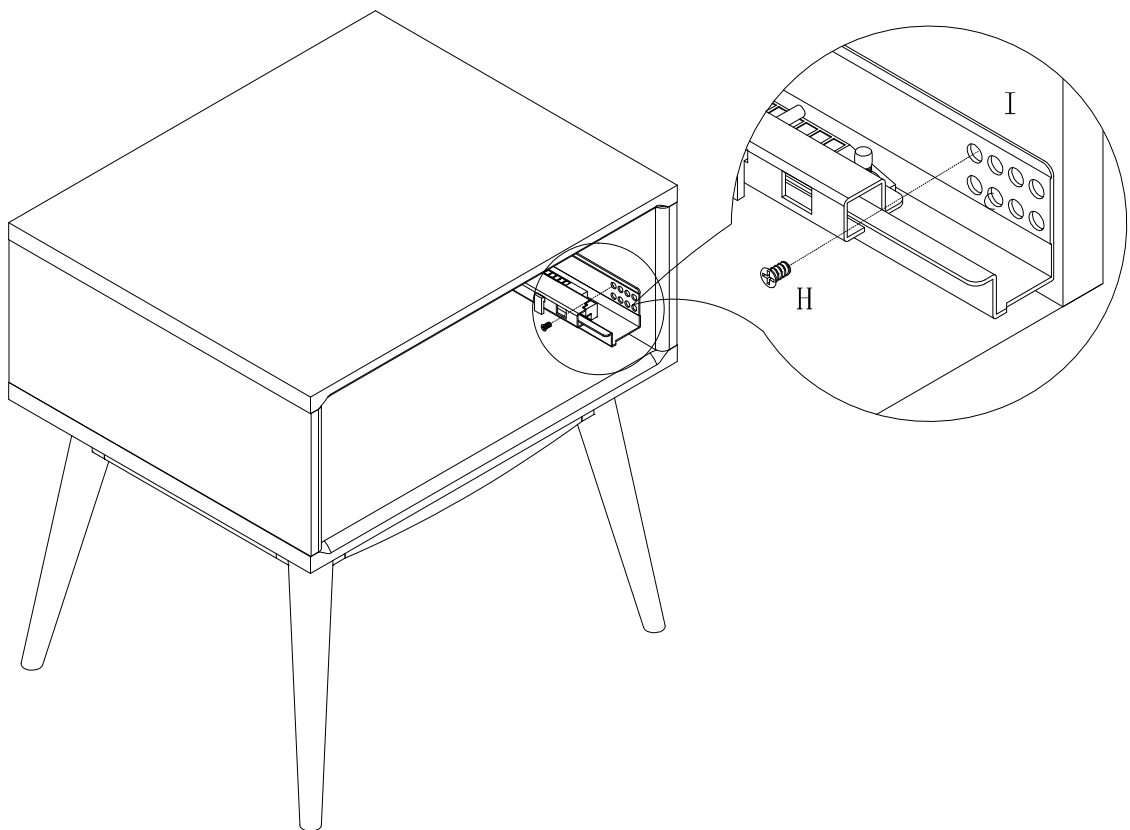
4

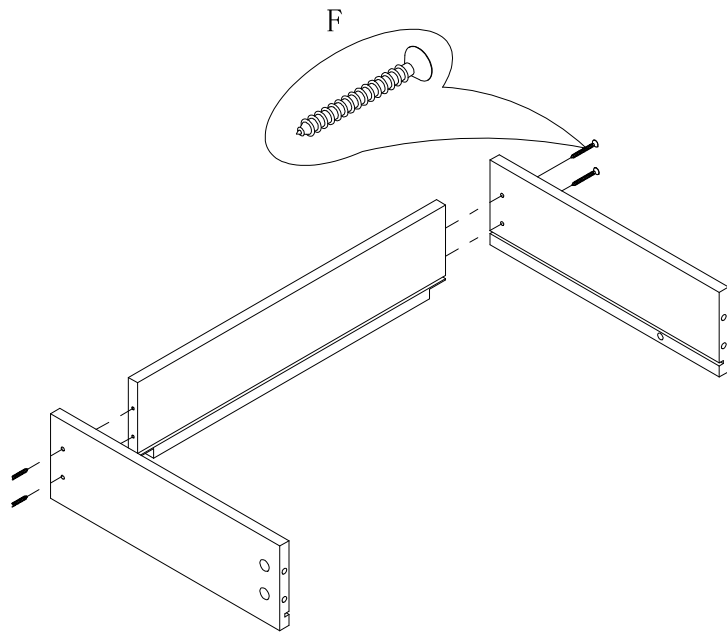




5

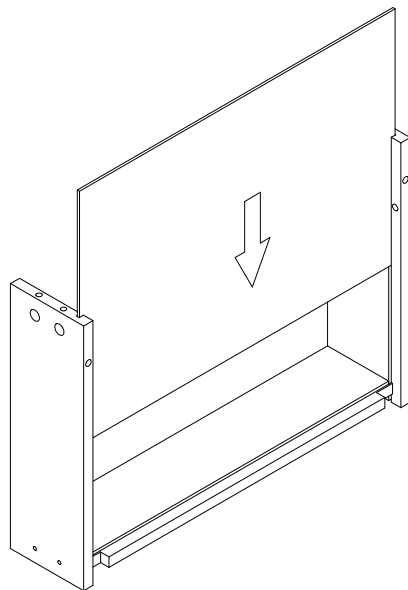
6

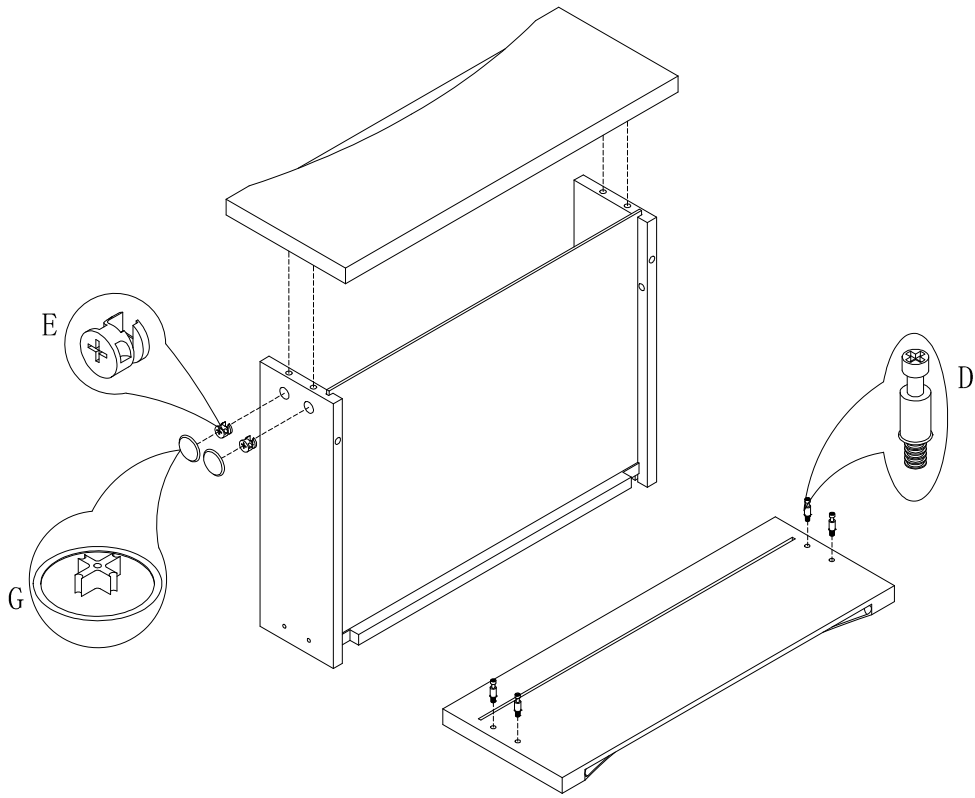




7

8





9

10

