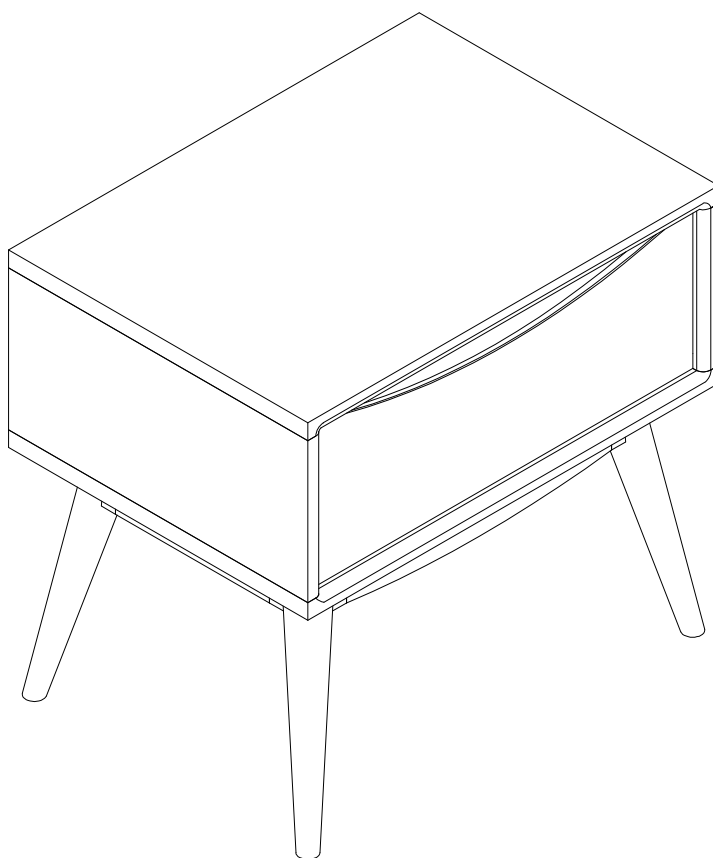
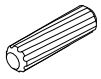
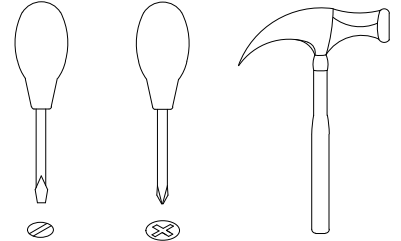
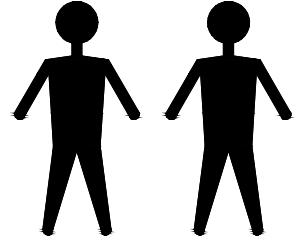


MOD
interiors
CP1802I V/V

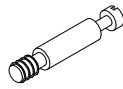


EAC

CP1802I V/V



A x10
Spec: $\varnothing 8 \times 30$



B x12
Spec: $\varnothing 7 \times L30$



C x12
Spec: $\varnothing 15 \times H12$



D x4
Spec:



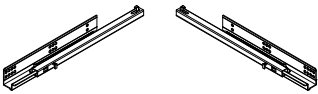
E x4
Spec:



F x6
Spec: $\varnothing 6 \times L8$



G x1
Spec: 5#



H x1
Spec: L300



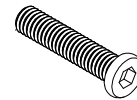
I x4
Spec: $\varnothing 3.5 \times L35$



J x4
Spec: $\varnothing 6 \times L28$



K x4
Spec: $\varnothing 12 \times H9$



L x8
Spec: 5/16 \times L60



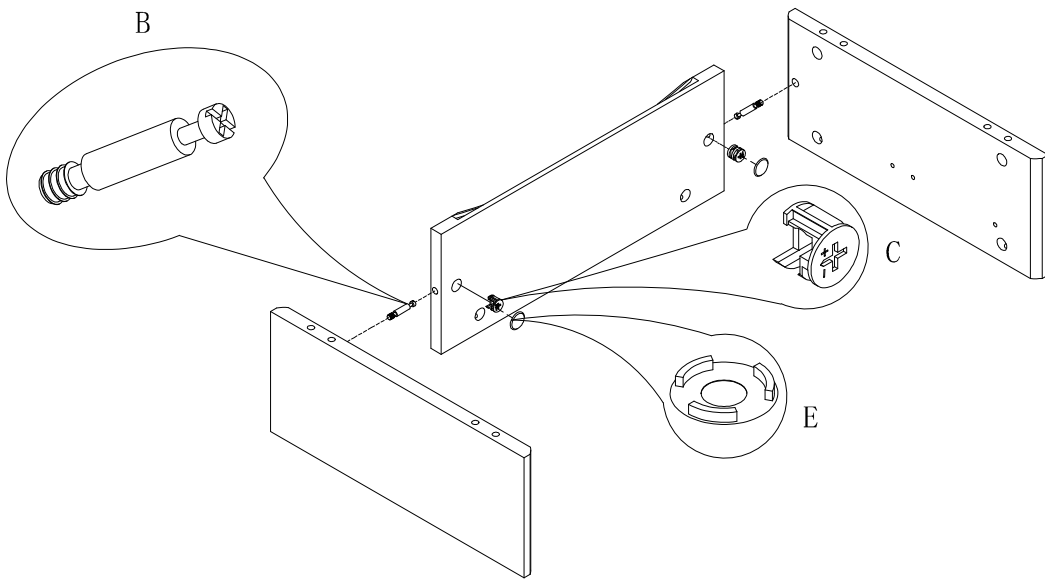
M x8
Spec: M18 \times 8.2 \times 2



N x8
Spec:

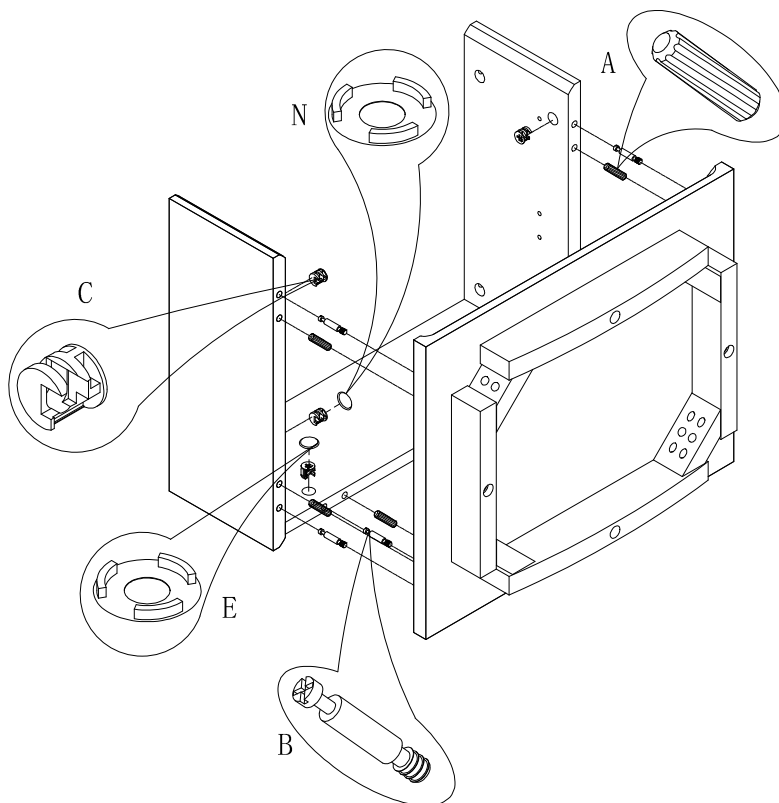


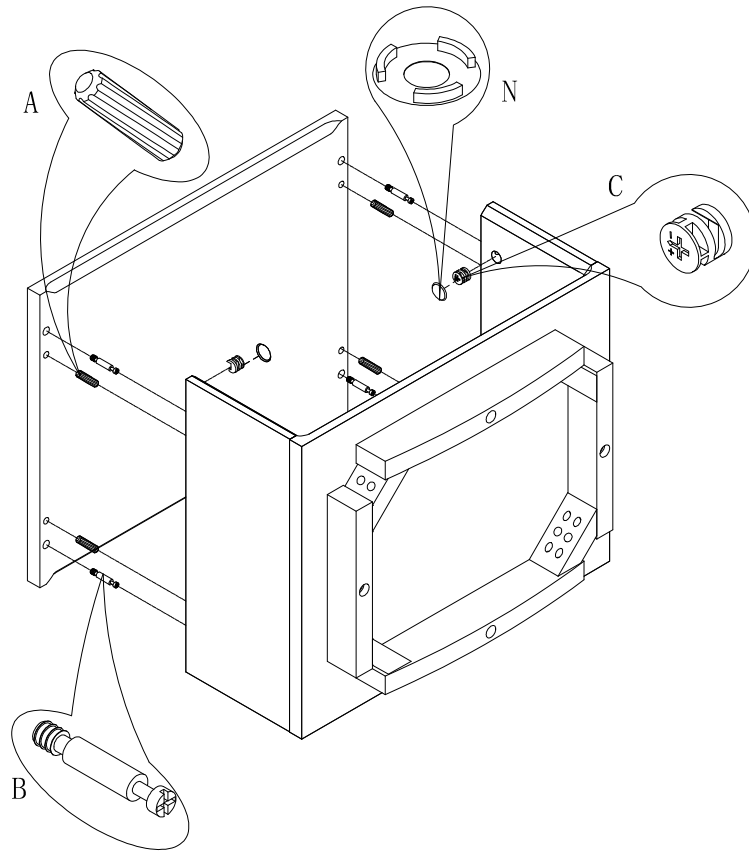
AAA x4
Spec: $\varnothing 3.8 \times L12$



1

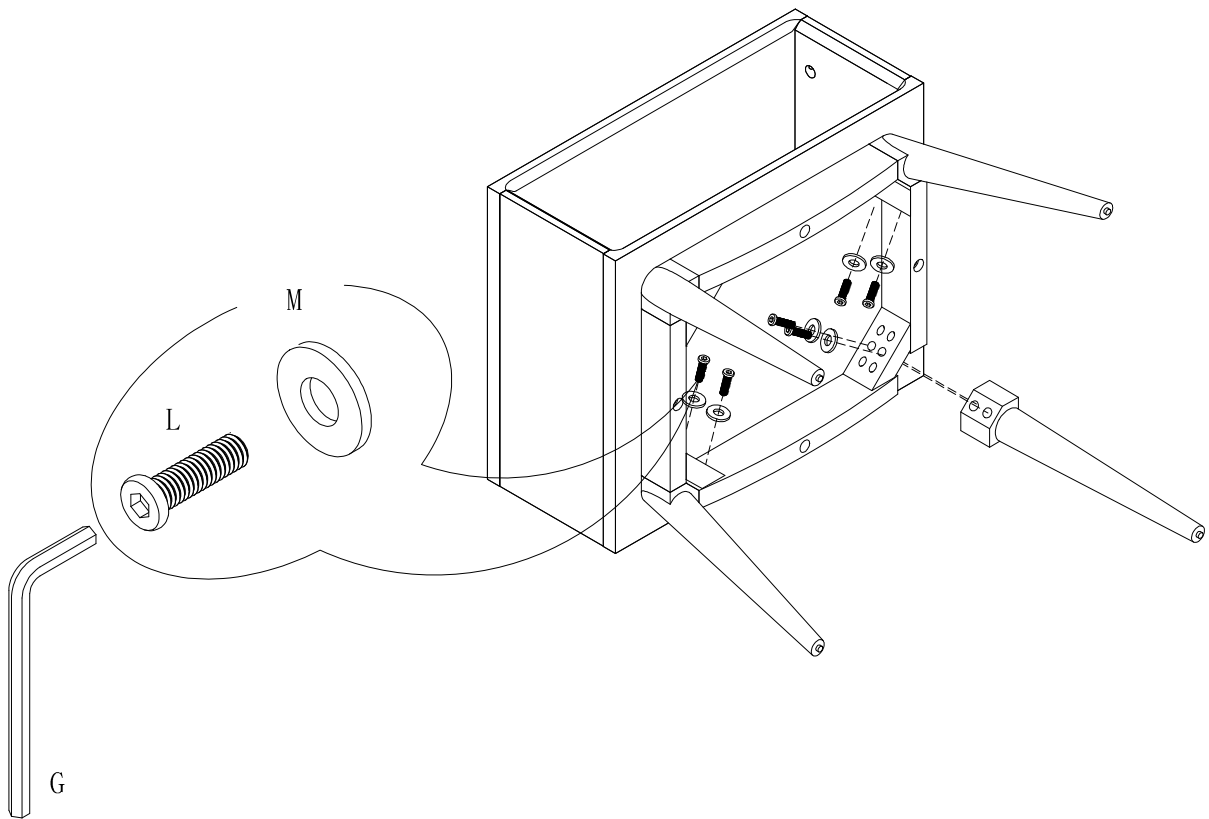
2

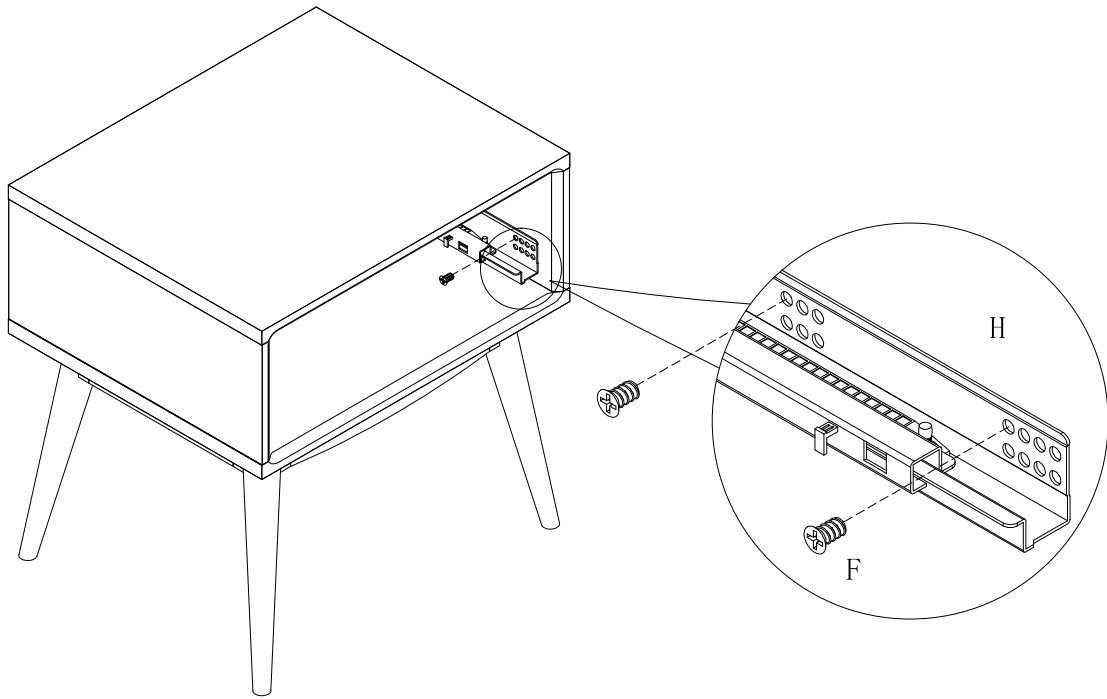




3

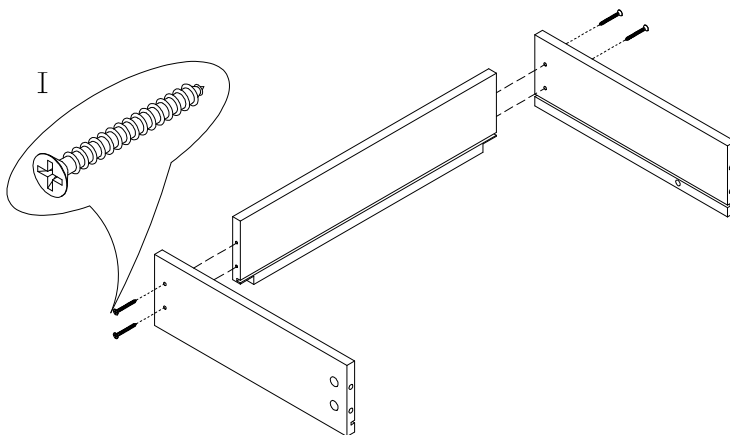
4

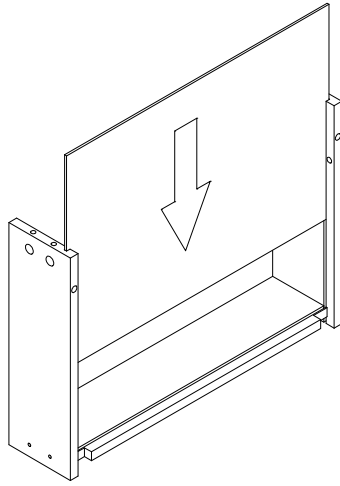




5

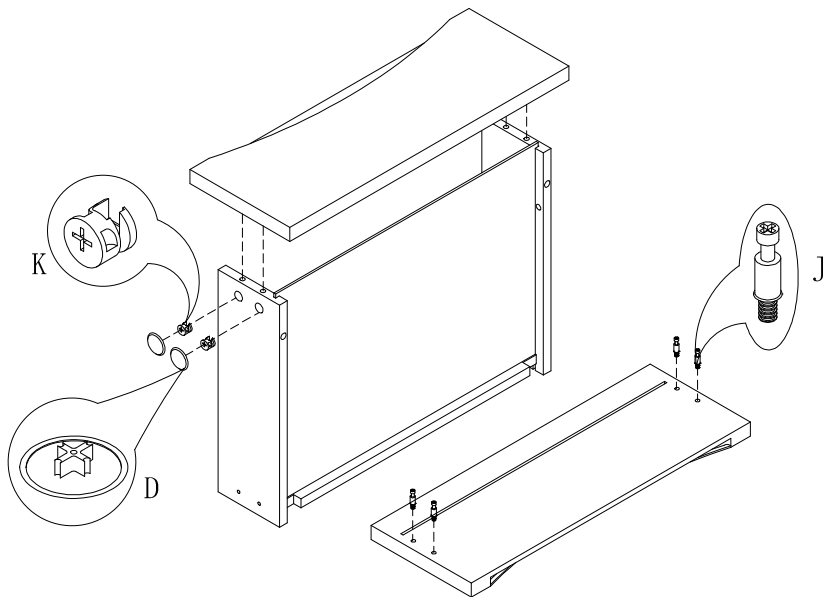
6

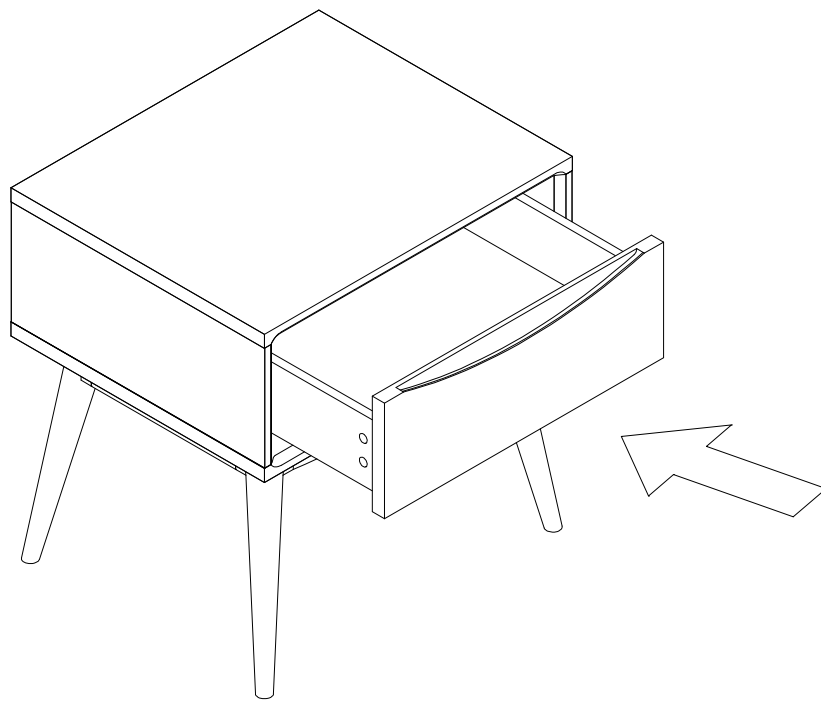




7

8





9
