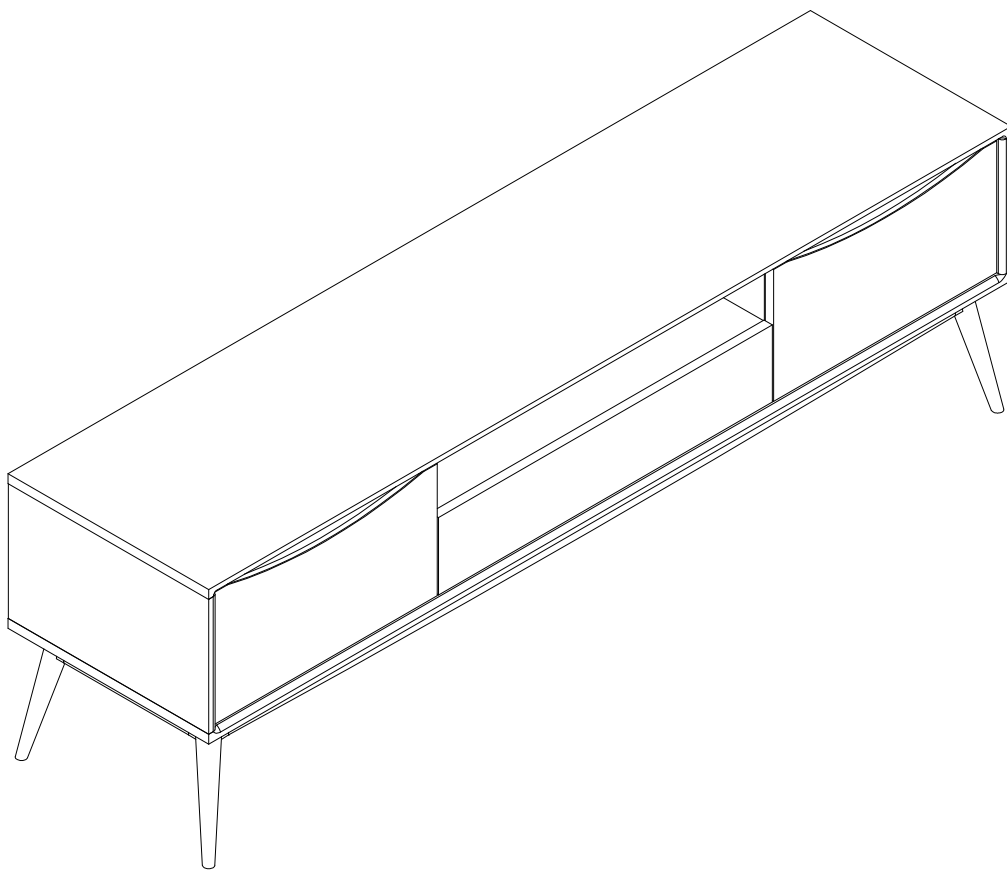


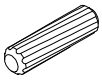
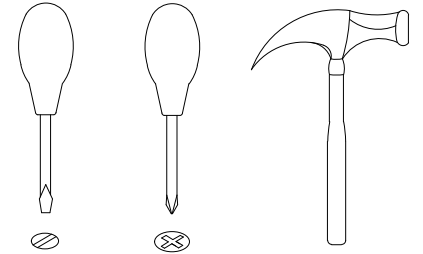
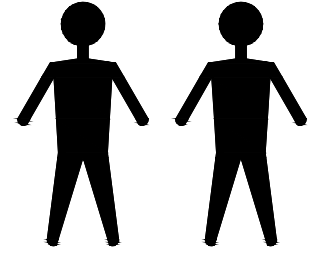
MOD
interiors

CP1802TV

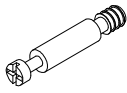


EAC

CP1802TV



A x16
Spec: $\varnothing 8 \times 30$



B x16
Spec: $\varnothing 7 \times L30$



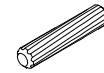
C x16
Spec: $\varnothing 15 \times H12$



D x6
Spec: $\varnothing 6 \times L28$



E x6
Spec: $\varnothing 12 \times H9$



F x4
Spec: $\varnothing 6 \times 30$



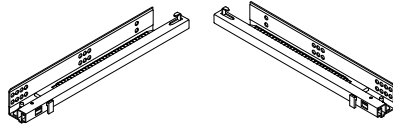
G x6
Spec: $\varnothing 6 \times L8$



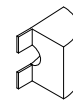
H x4
Spec: $\varnothing 5 \times L19$



I x4
Spec: $\varnothing 20 \times H12$



J x1
Spec: L350



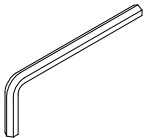
K x12
Spec: H13



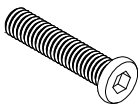
L x12
Spec: $\varnothing 3.5 \times L16$



M x4
Spec: $\varnothing 3.5 \times L35$



N x1
Spec: 5#



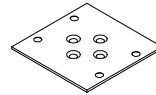
O x8
Spec: $5/16 \times L60$



P x8
Spec: $\varnothing 8 \times \varnothing 18$



AAA x4
Spec: $\varnothing 3.8 \times L12$



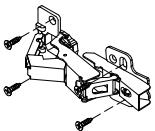
S x1
Spec: $78 \times 78 \times 1.8$



T x4
Spec: $\varnothing 4 \times L16$



U x4
Spec: $\varnothing 3.5 \times L19$



V x4
Spec: 088#



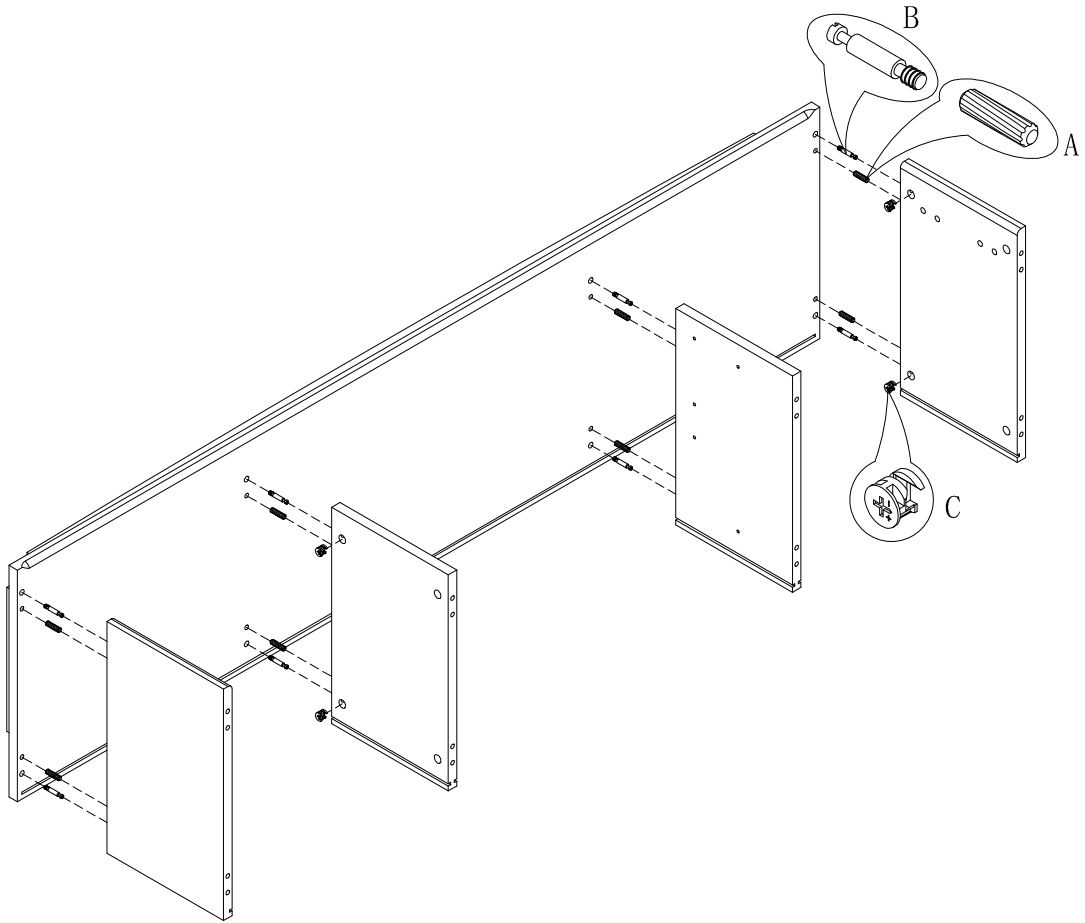
W x8
Spec: $3.8 \times L16$



X x6
Spec:

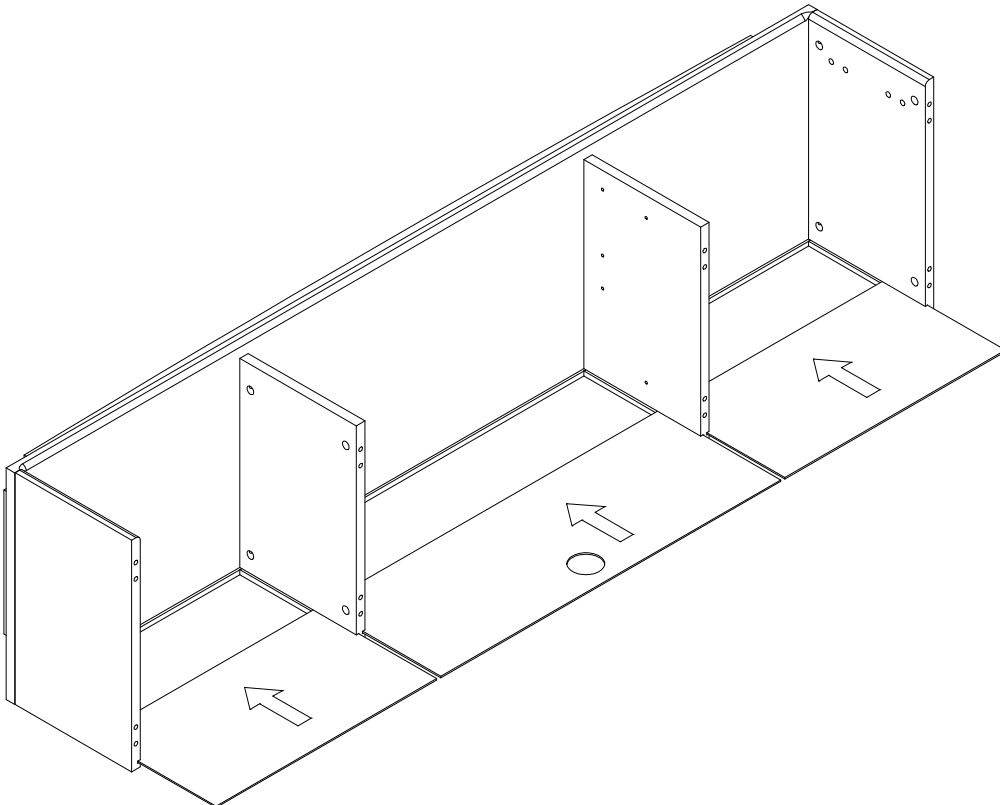


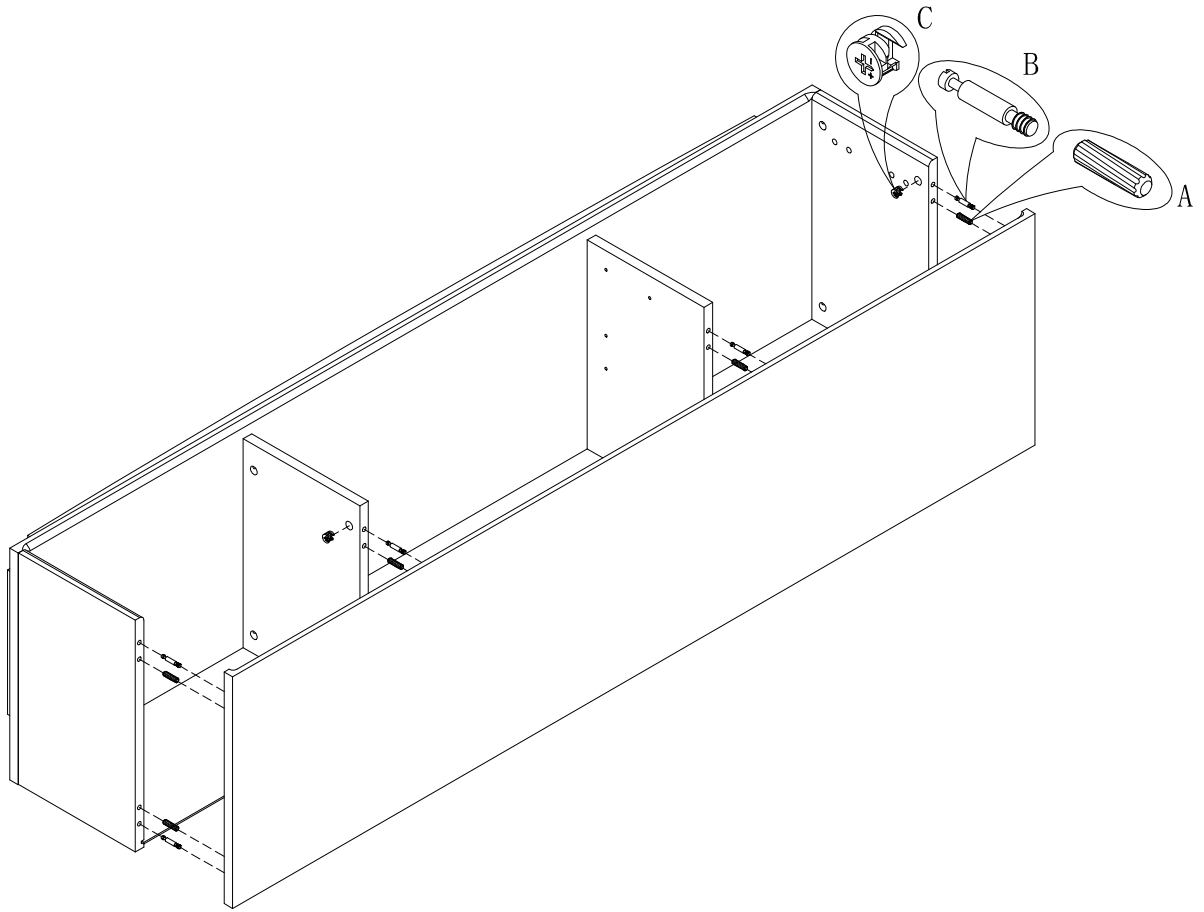
Y x16
Spec:



1

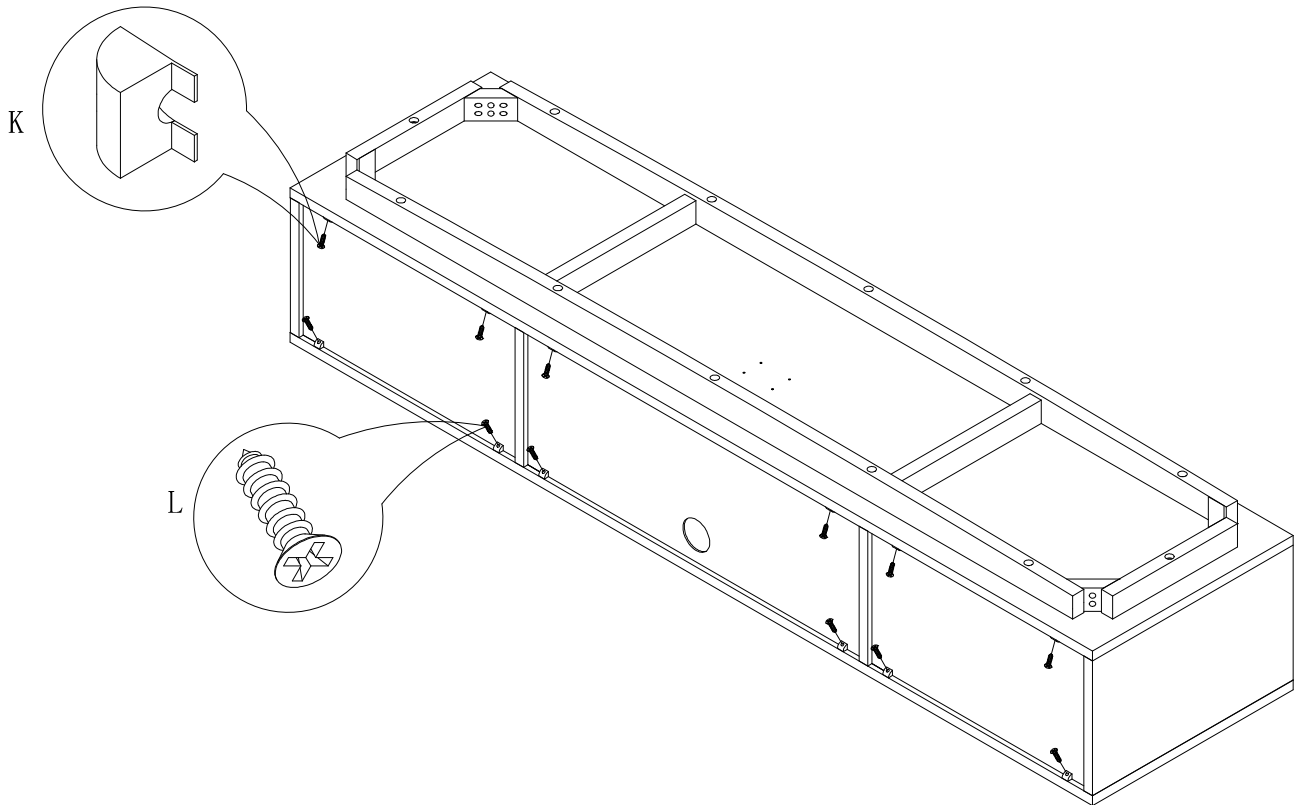
2

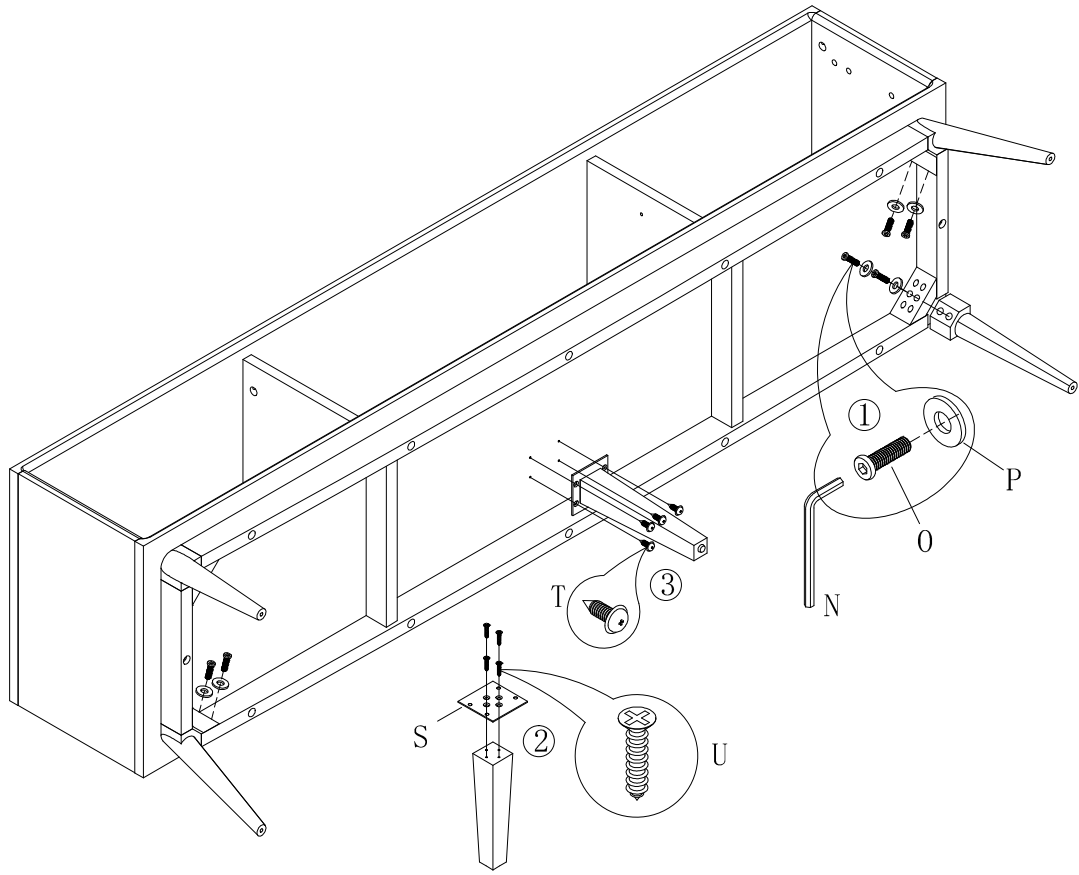




3

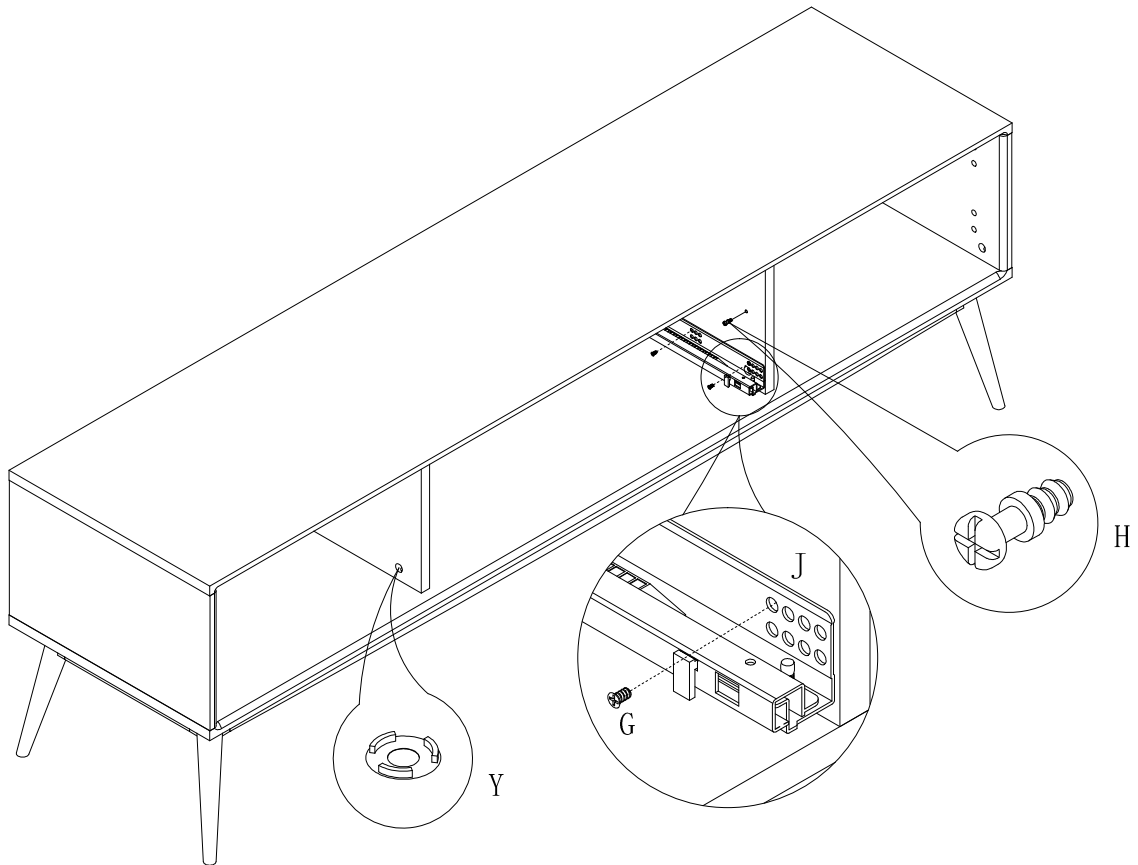
4

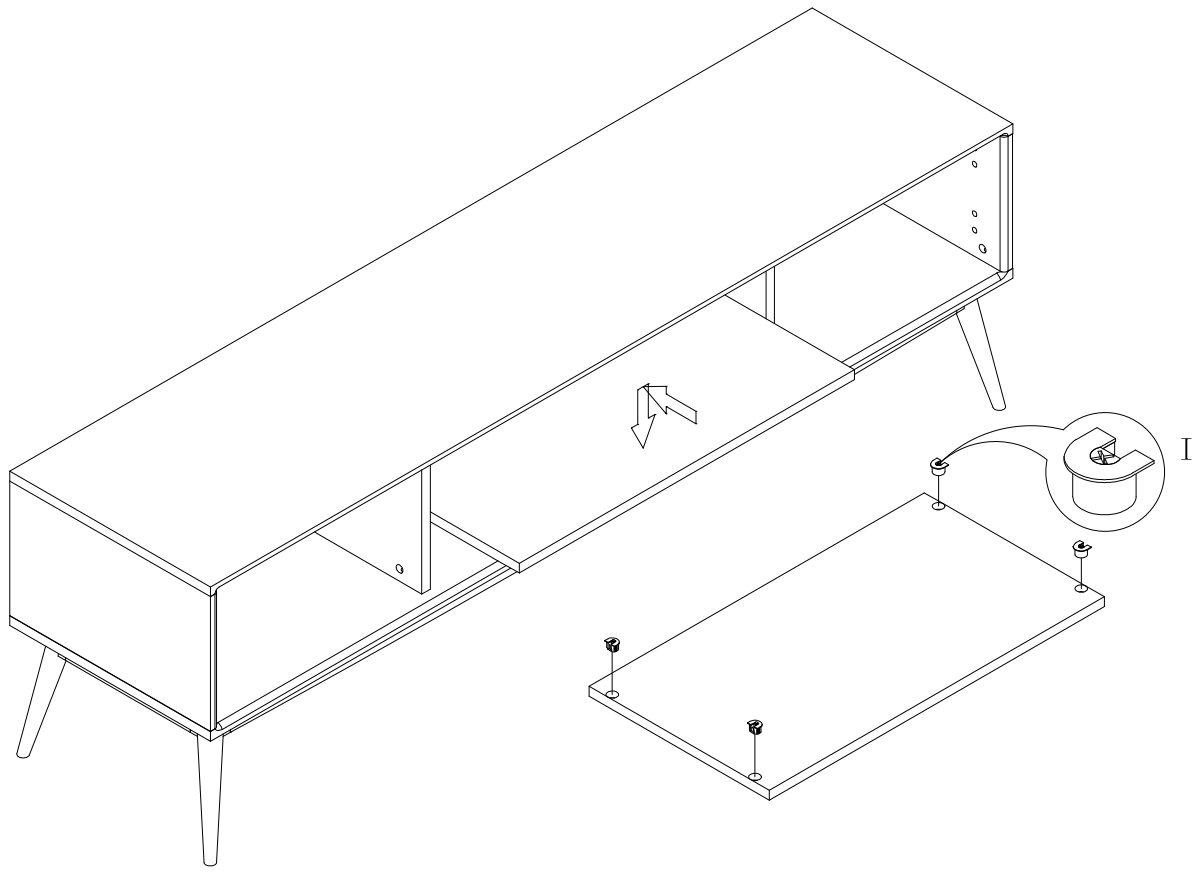




5

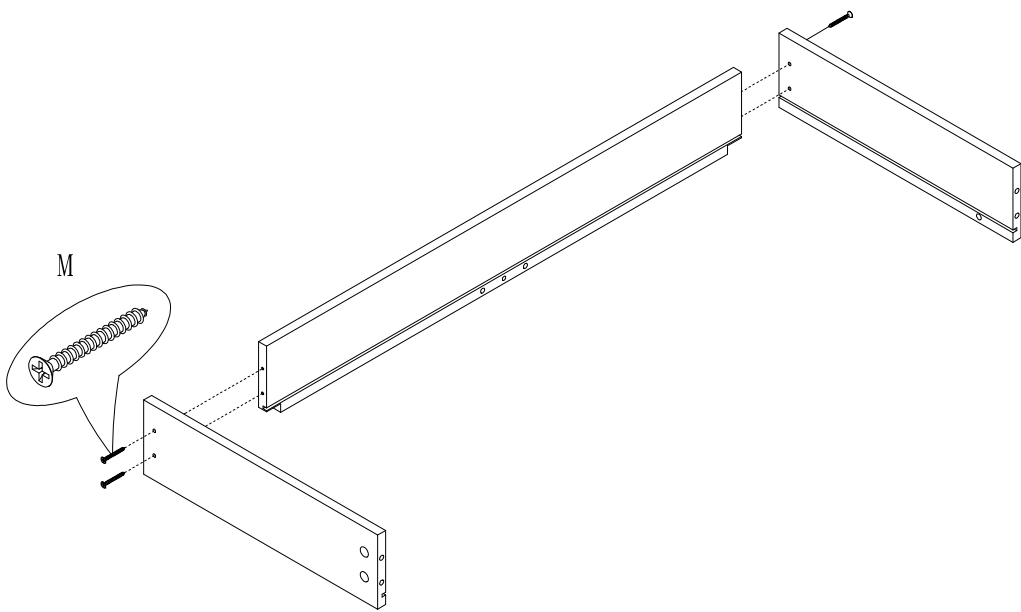
6

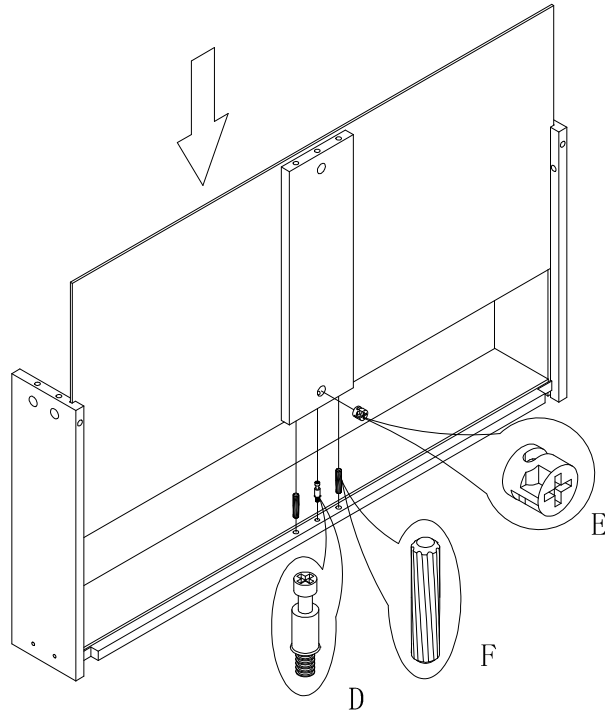




7

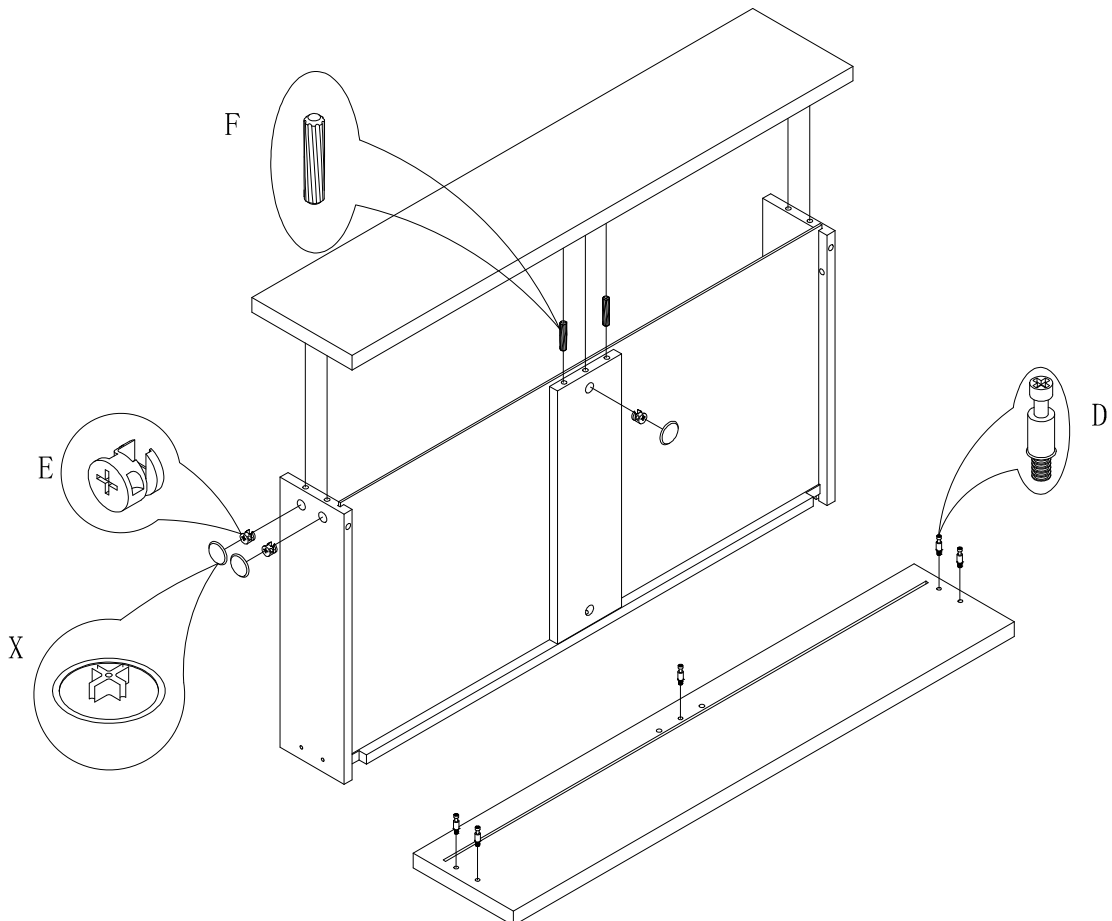
8

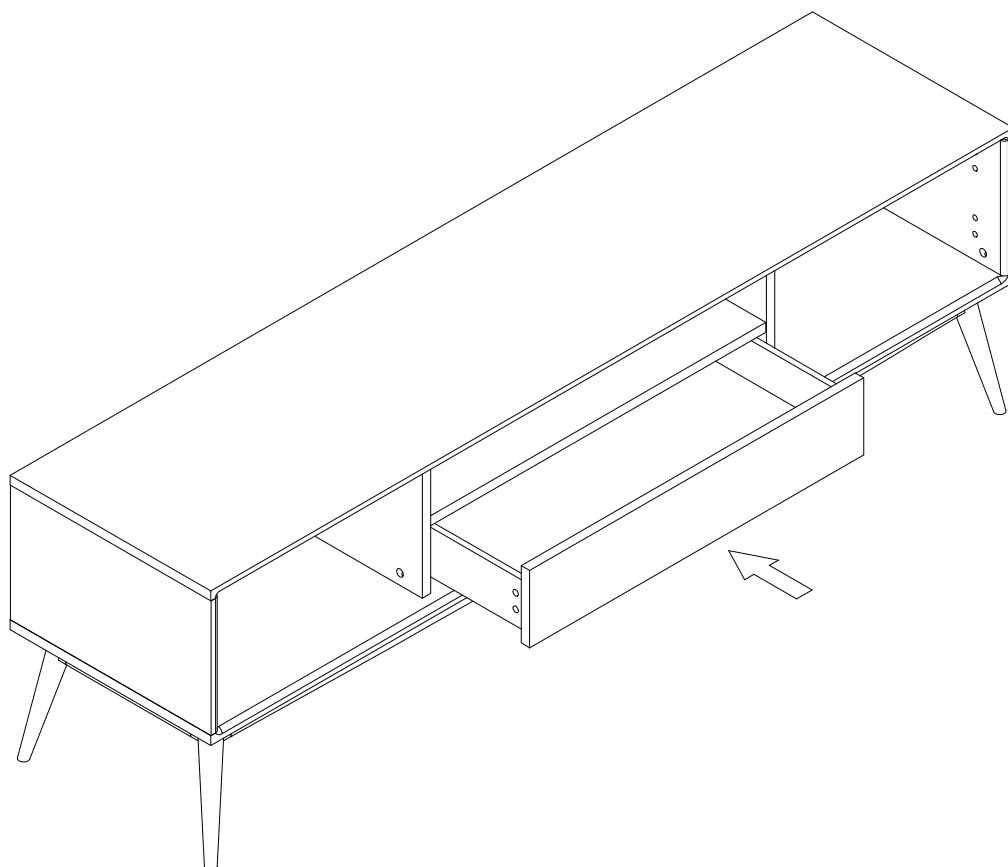




9

10





11

12

