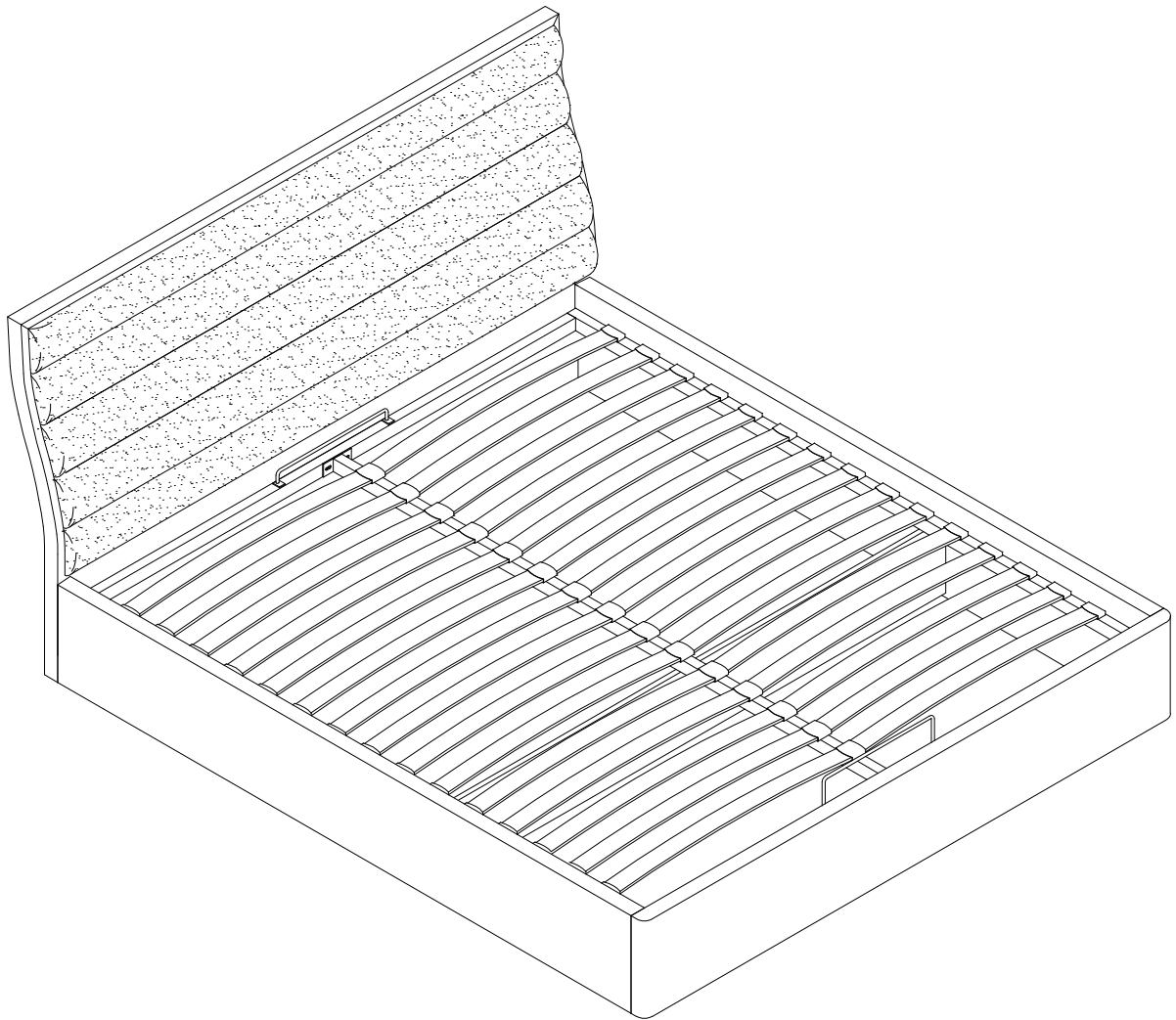


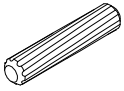
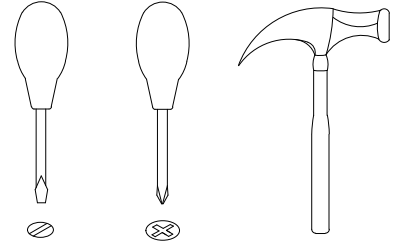
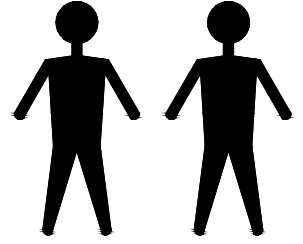


CP1806B2-05

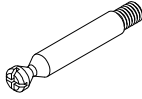


EAC

CP1806B2-05



A x8
Spec: $\phi 10 * L40$



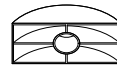
B x12
Spec: $\phi 7 * L48$



C x12
Spec: $\phi 15 * H15$



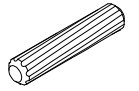
D x4
Spec: $M8 * L95$



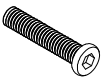
E x4
Spec:



F x4
Spec: M8



G x8
Spec: $\phi 8 * L30$



H x8
Spec: $M8 * L45$



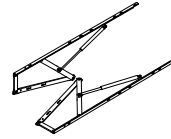
I x12
Spec: $M6 * L30$



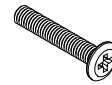
J x12
Spec: $\phi 8 * \phi 14$



K x8
Spec: $\phi 8 * \phi 18$



L x1
Spec: $L1220mm$
(120KG)



M x6
Spec: $M6 * L50$



N x10
Spec: M6



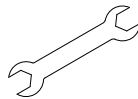
O x8
Spec: $M6 * L50$



P x4
Spec: M6



Q x4
Spec: $\phi 6 * \phi 18$



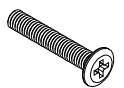
R x1
Spec: 10mm



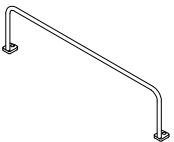
S x12
Spec: $40 * 40mm$



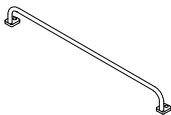
T x4
Spec: $75 * 13mm$



U x4
Spec: $M6 * L55$



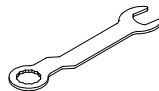
V x1
Spec: $L410mm$



W x1
Spec: $L410mm$



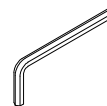
X x1
Spec: 4#



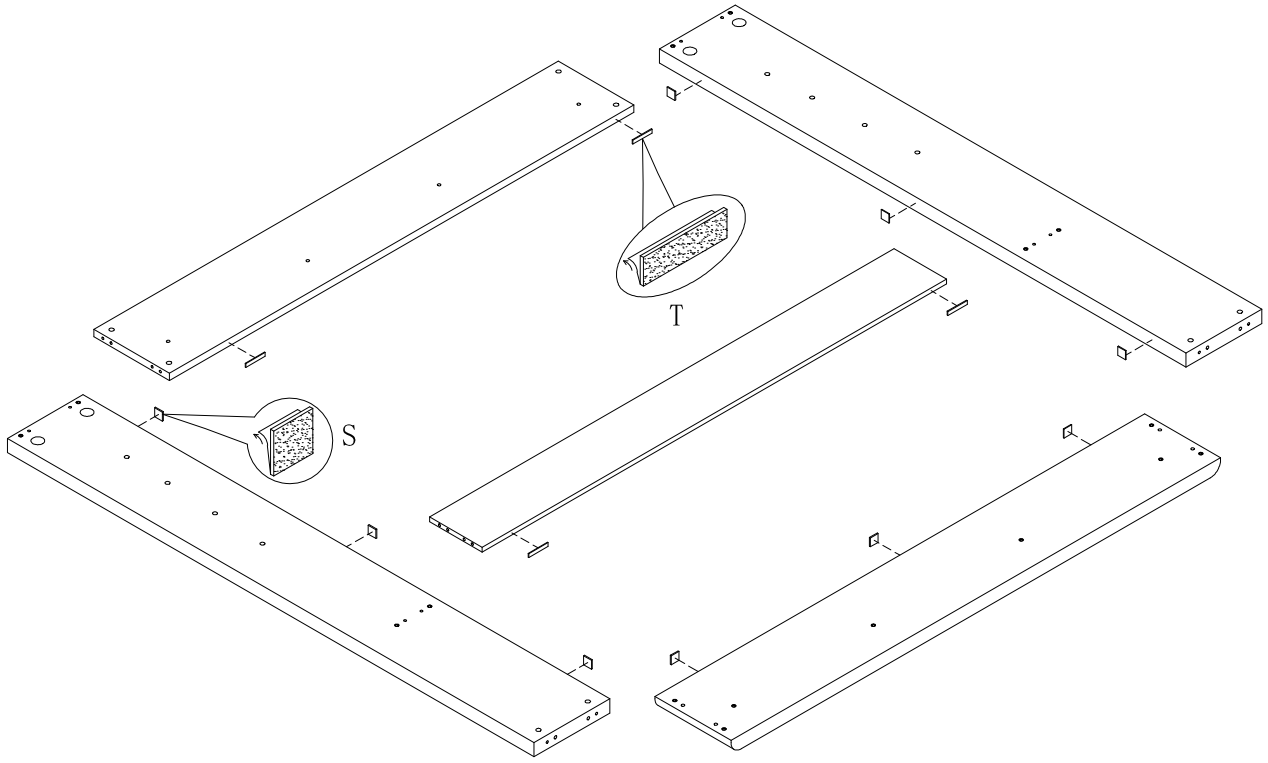
Y x1
Spec: 14#



Z x4
Spec: $\phi 38$

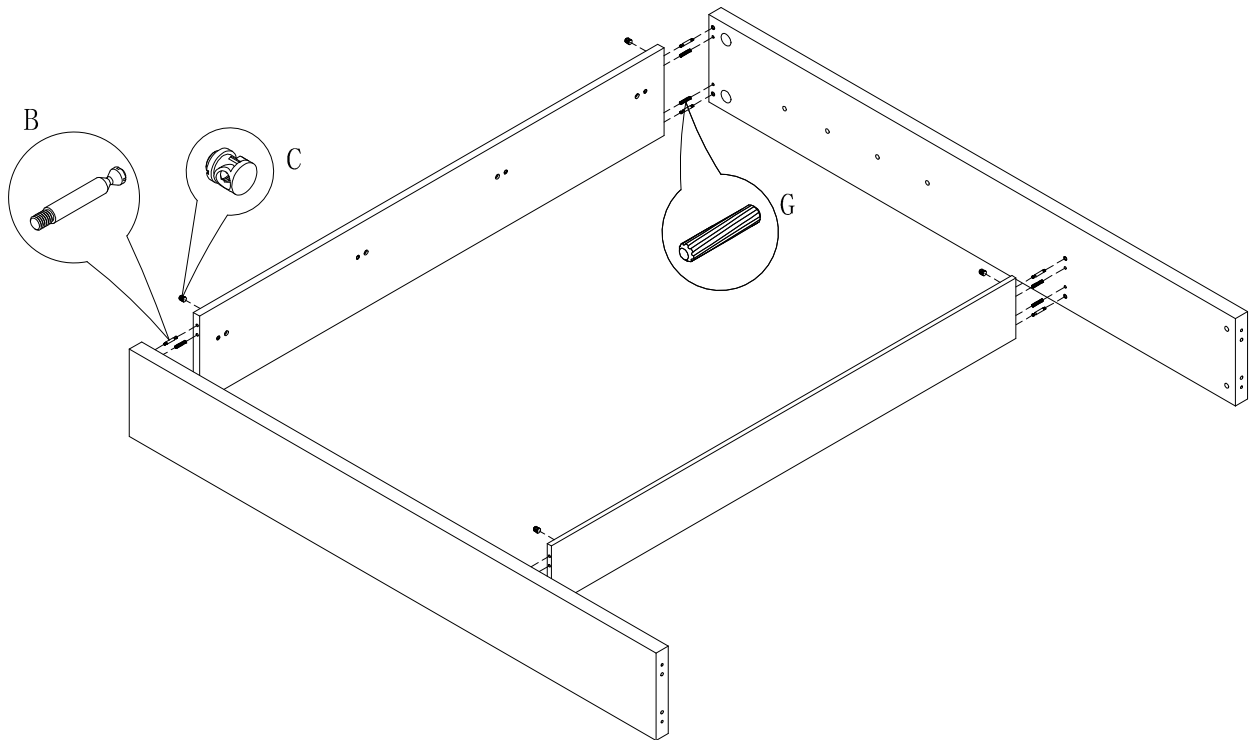


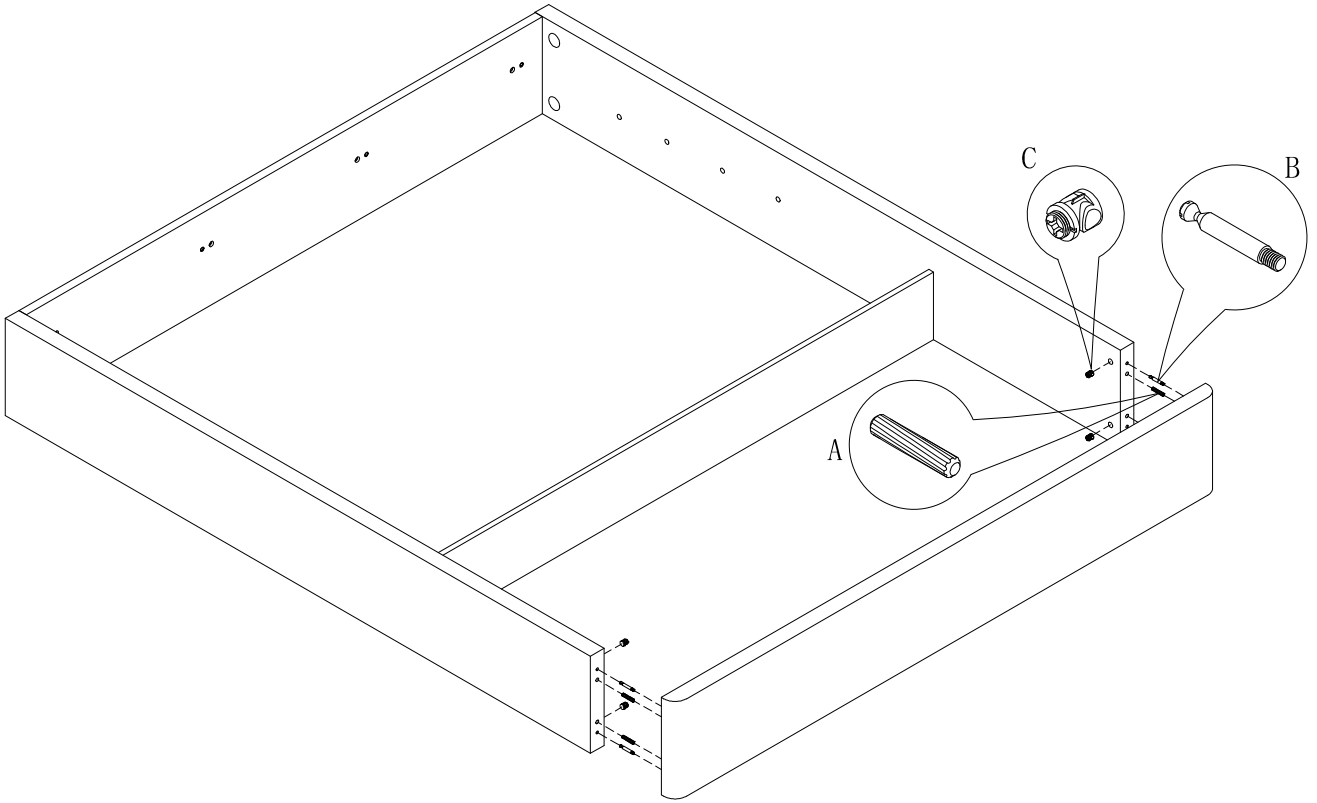
A1 x1
Spec: 5#



1

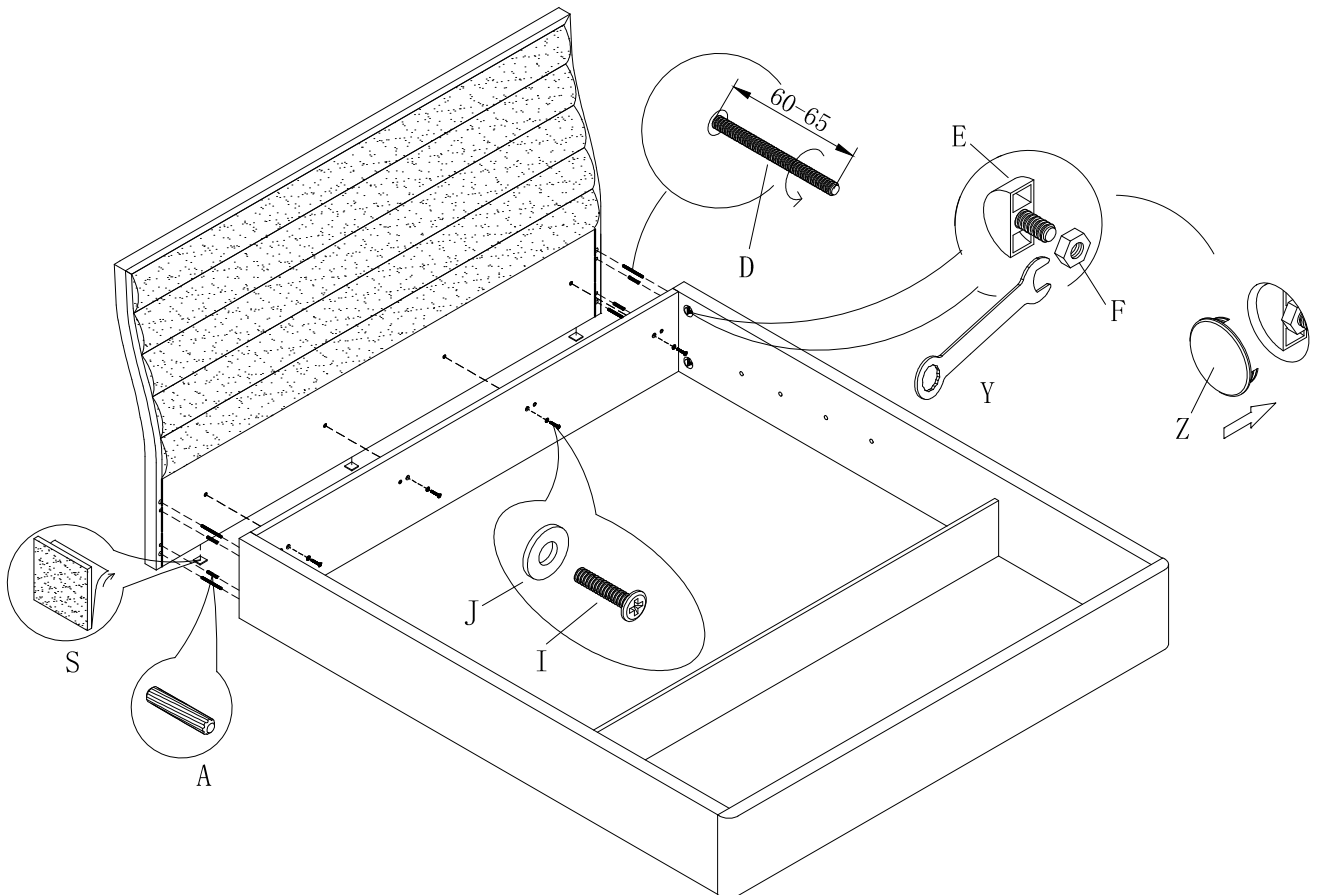
2

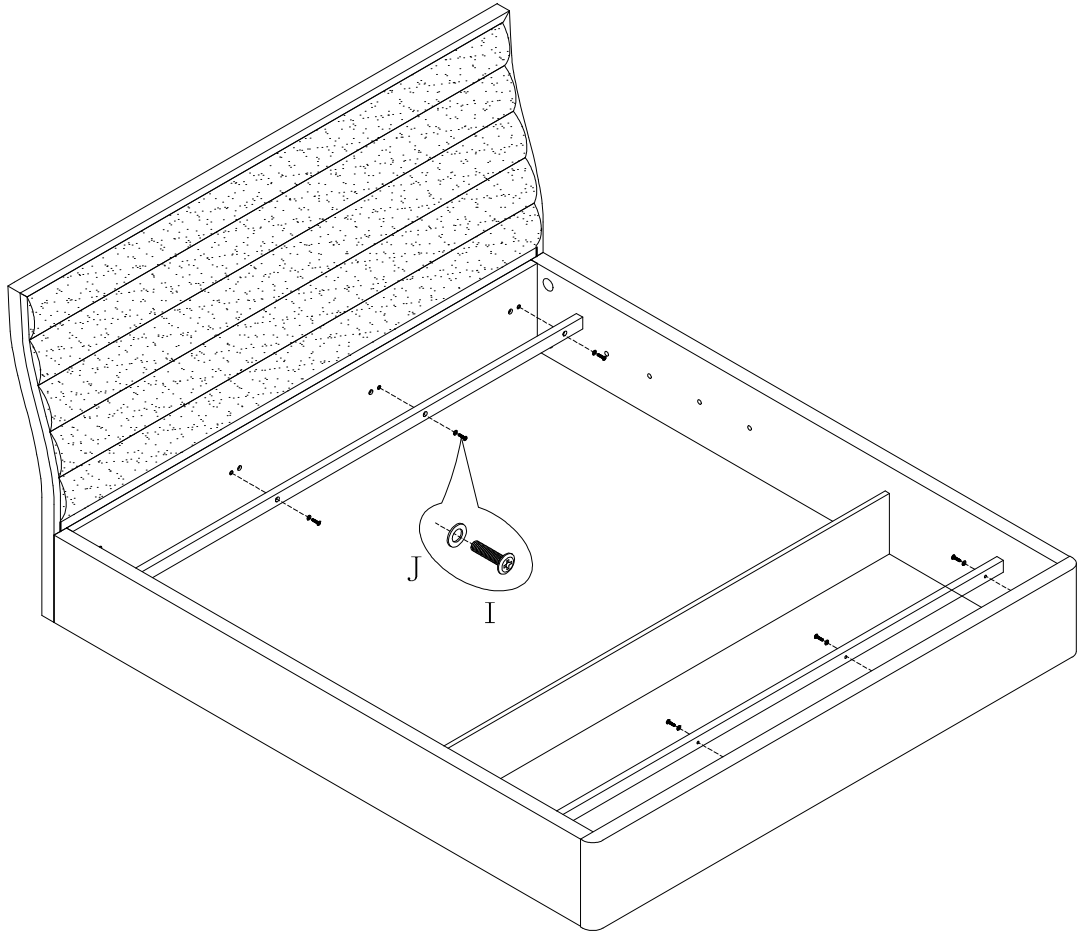




3

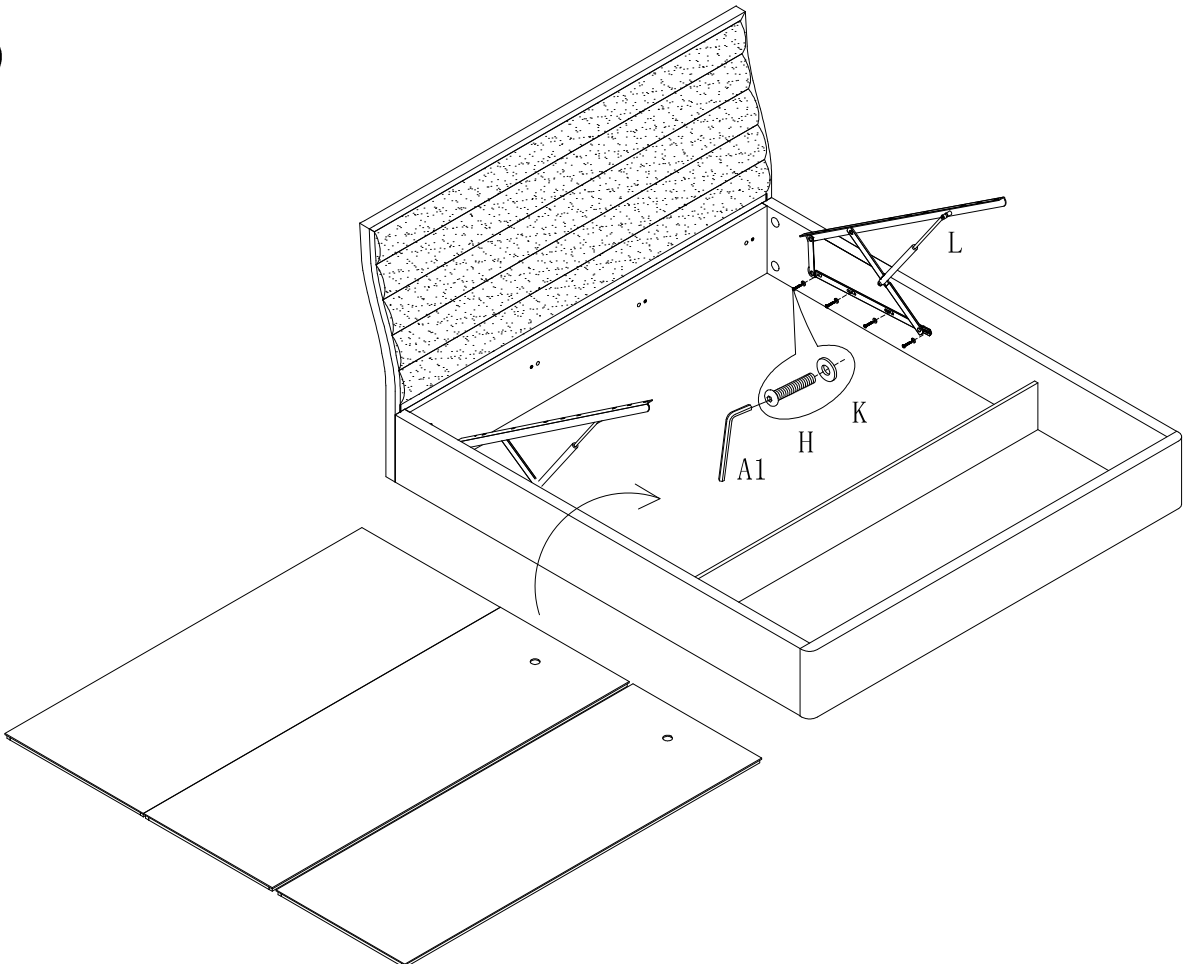
4

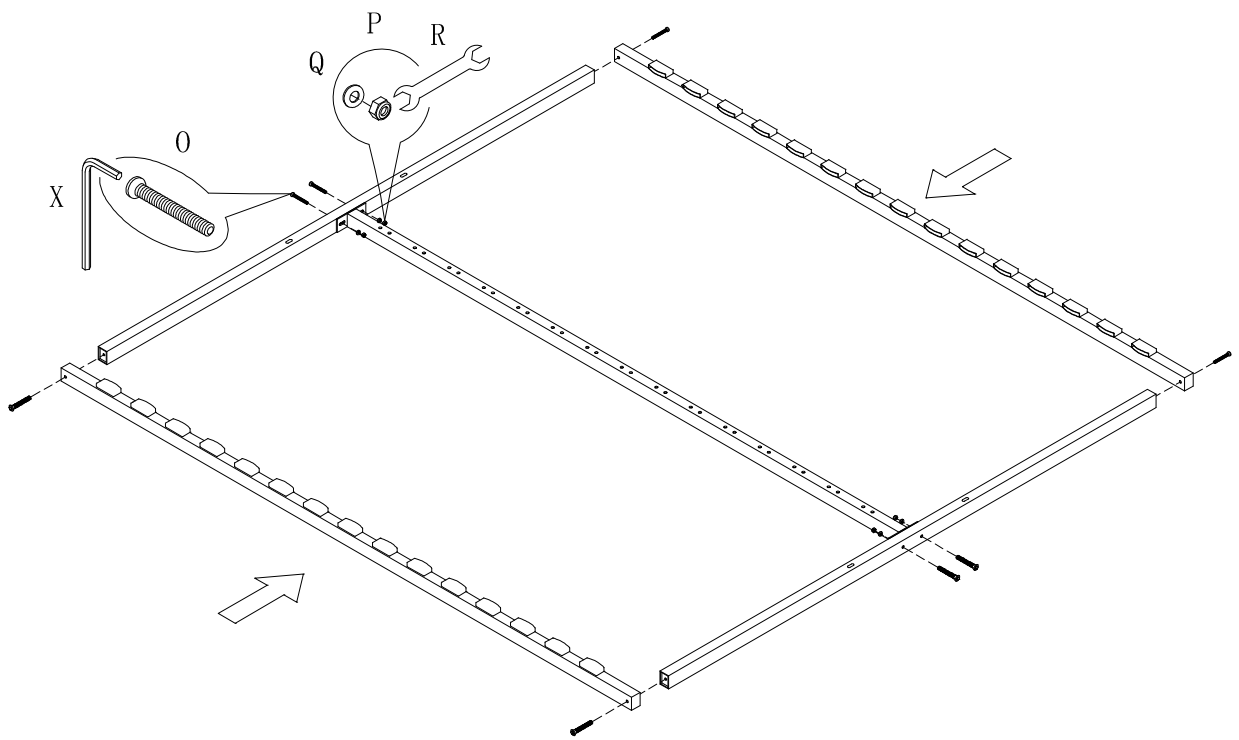




5

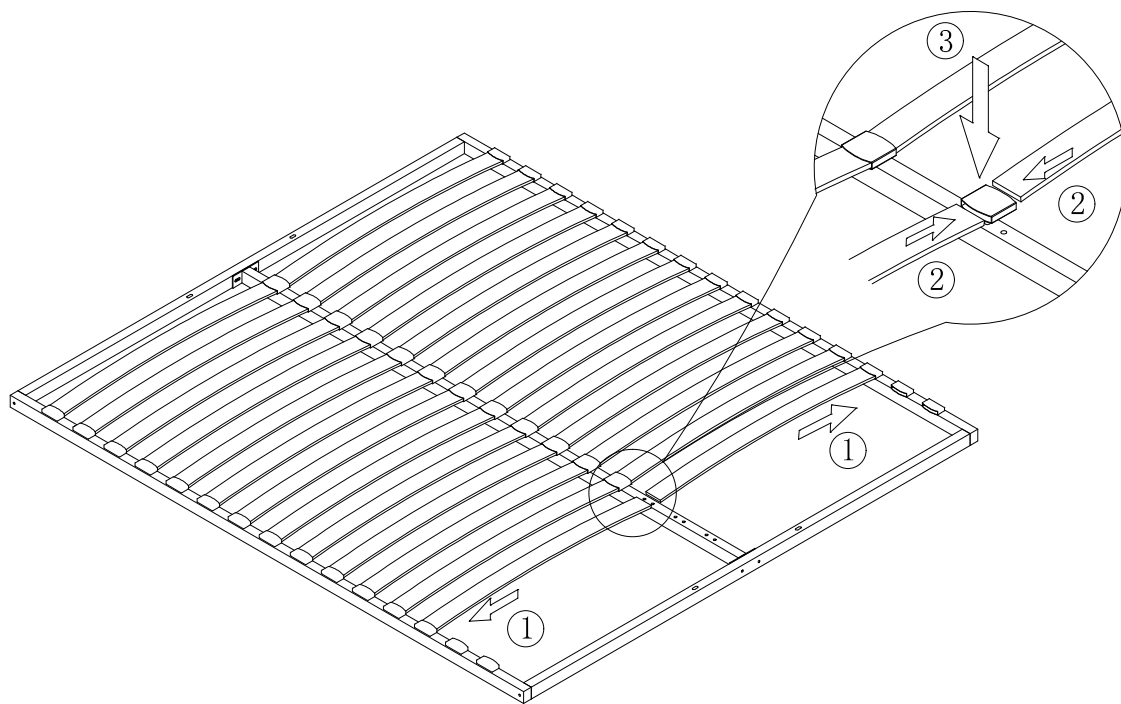
6

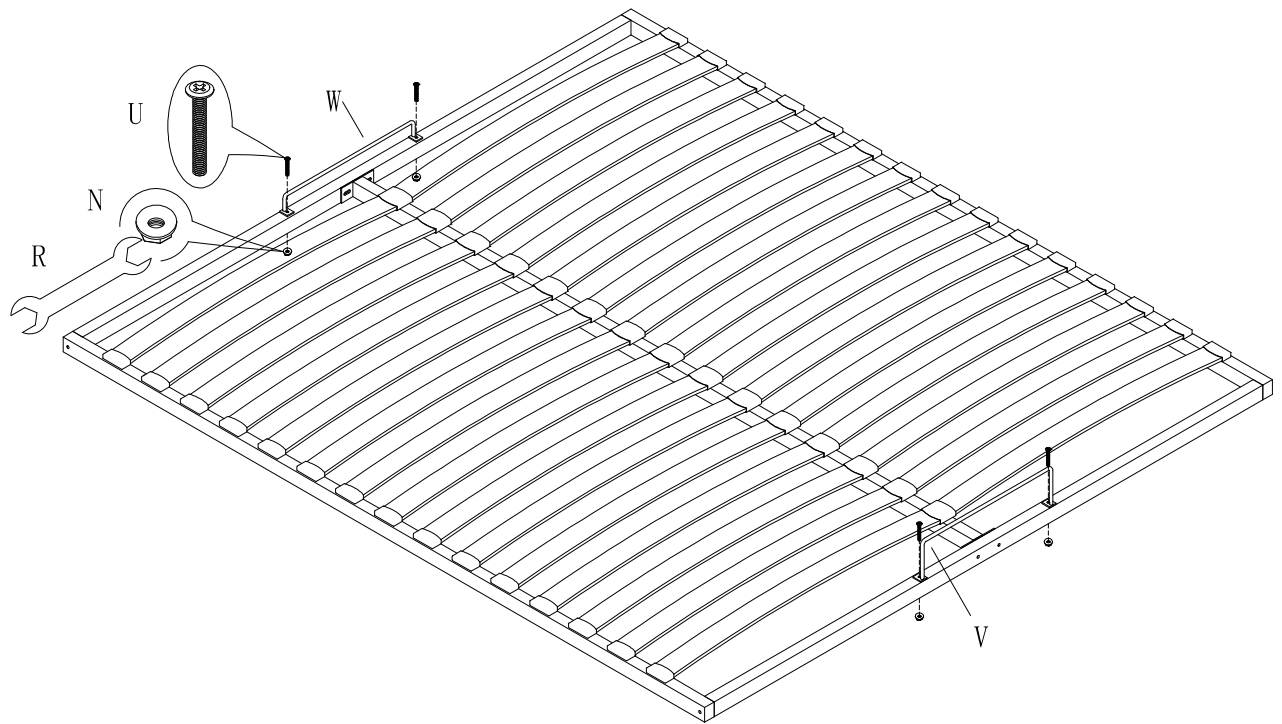




7

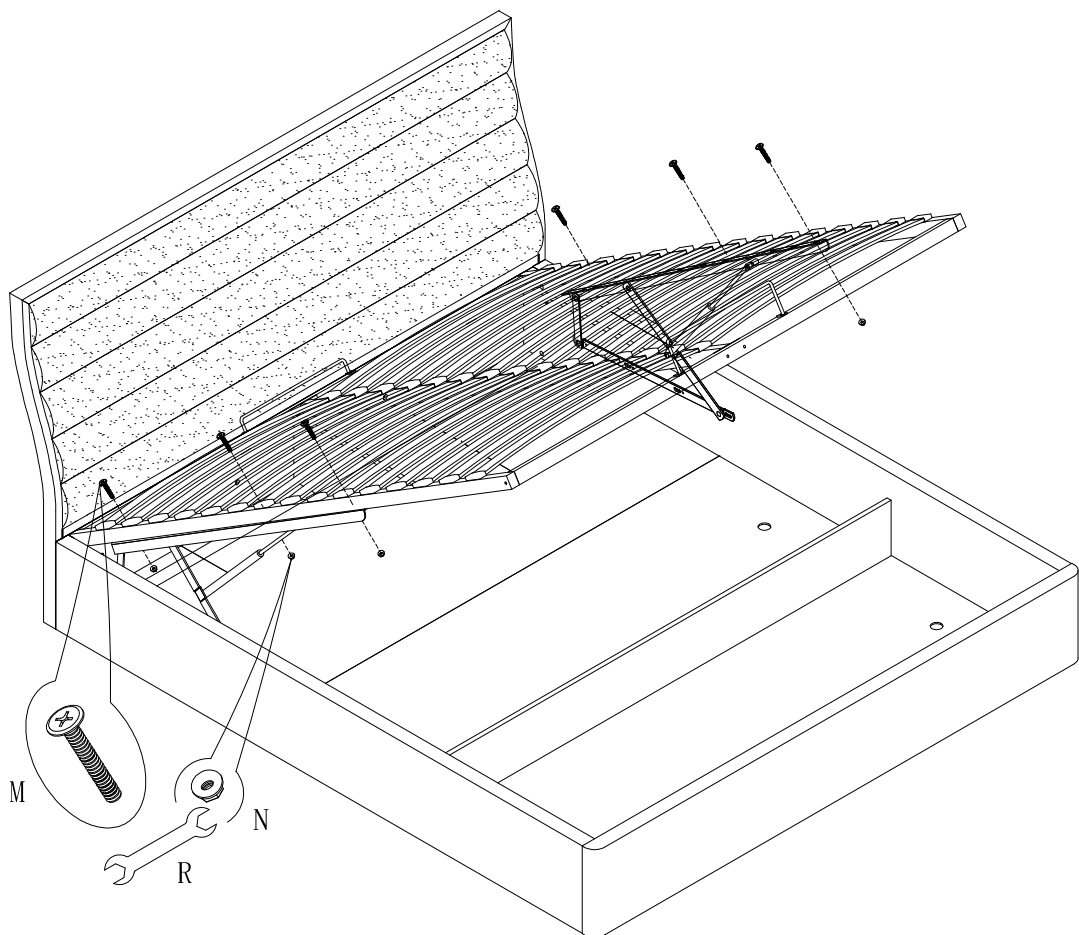
8



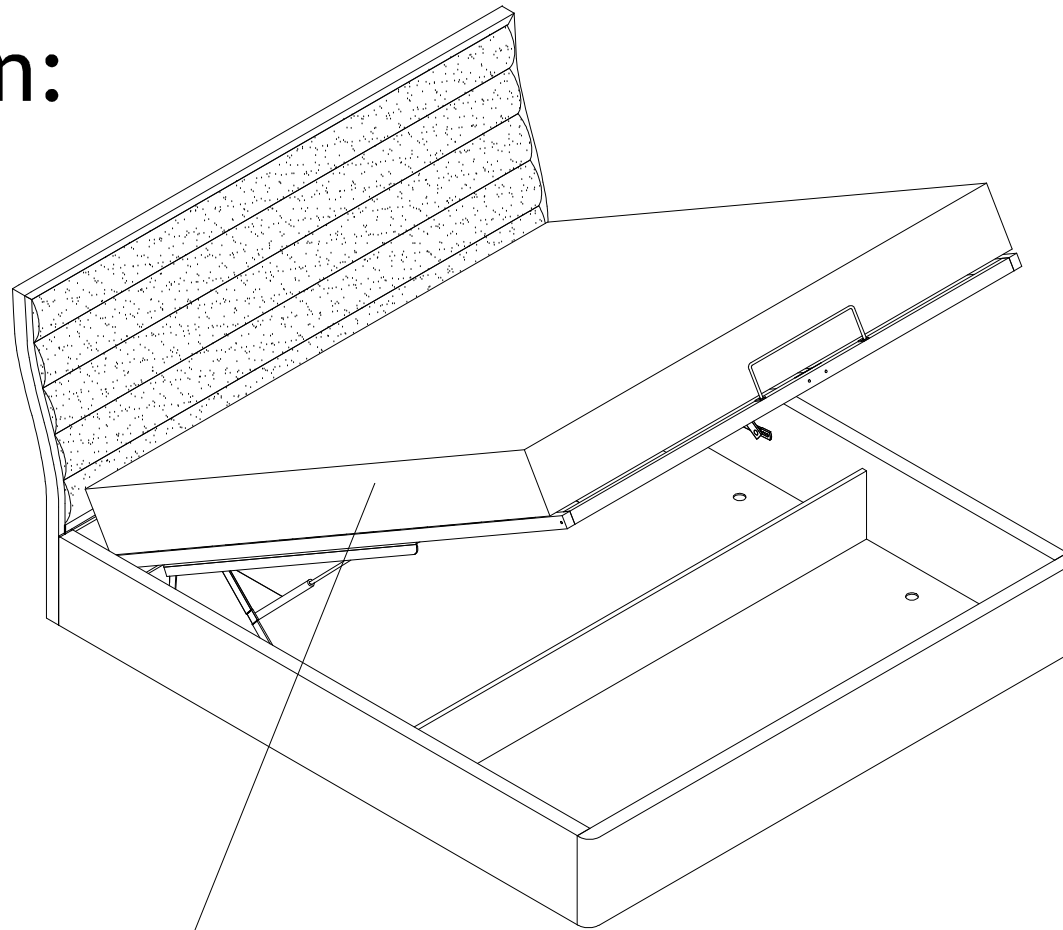


9

10



Attention:



Mattress must be put on bedstead before pulling down!!