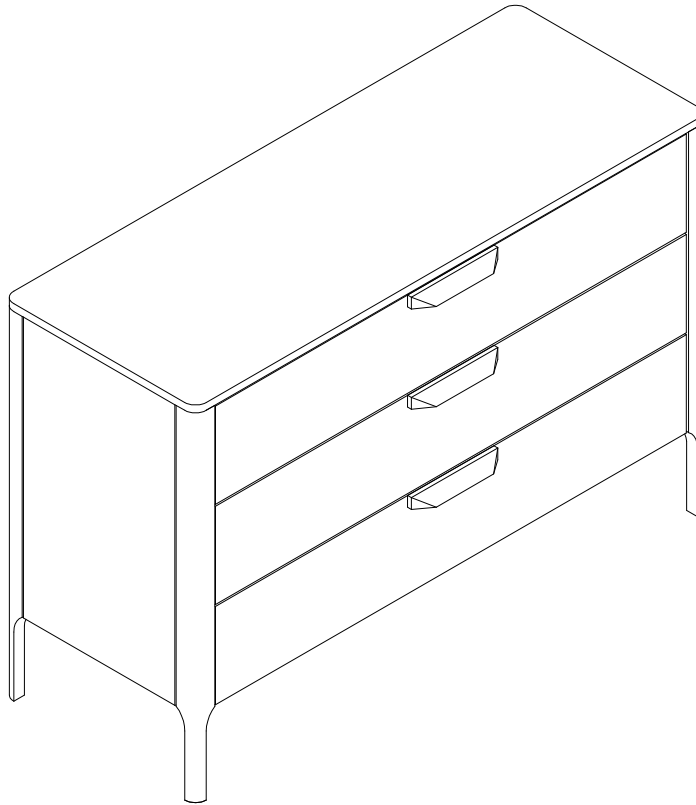


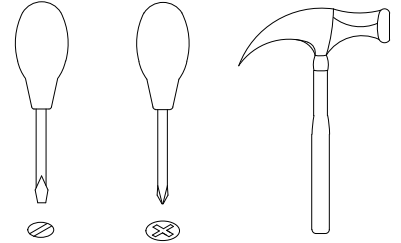
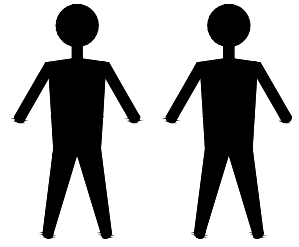
**MOD**  
interiors

# CP1806C2

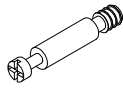


**EAC**

# # CP1806C2



A x10  
Spec:  $\varnothing 8 * L30$



B x14  
Spec:  $\varnothing 7 * L30$



C x14  
Spec:  $\varnothing 15 * H12$



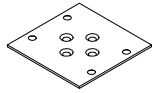
D x18  
Spec:  $\varnothing 6 * L28$



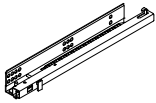
E x18  
Spec:  $\varnothing 12 * H9$



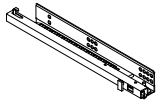
F x24  
Spec:  $\varnothing 6 * L30$



G x1  
Spec:  $78 * 78 * H1.8$



H x3  
Spec: L400



I x18  
Spec:  $\varnothing 6 * L8$



J x4  
Spec:



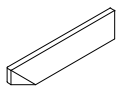
K x12  
Spec:  $\varnothing 3.5 * L35$



L x10  
Spec:  $\varnothing 3.5 * L16$



M x10  
Spec: H13



N x3  
Spec:



O x6  
Spec:  $M4 * L21$



P x28  
Spec:



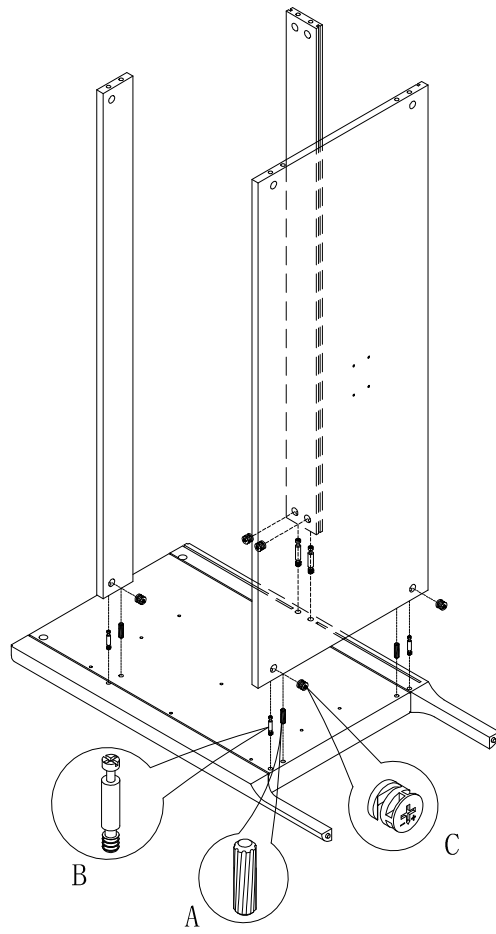
Q x4  
Spec:  $\varnothing 4 * L16$



R x4  
Spec:  $\varnothing 3.5 * L18$

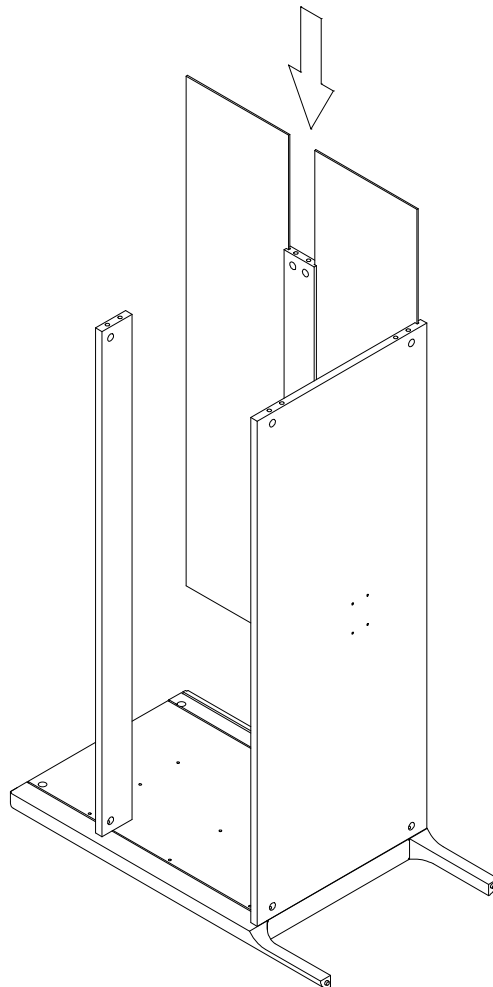


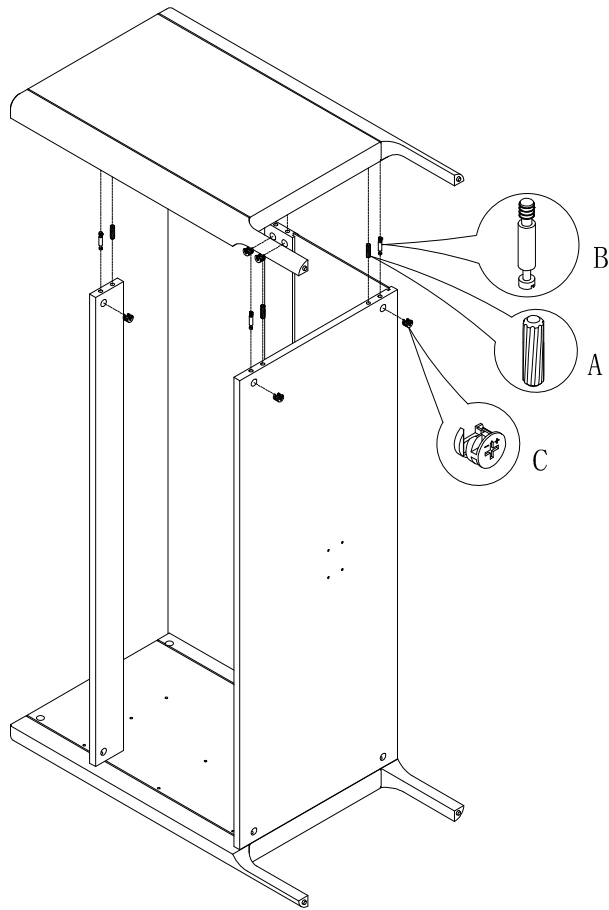
AAA x12  
Spec:  $\varnothing 3.8 * L12$



1

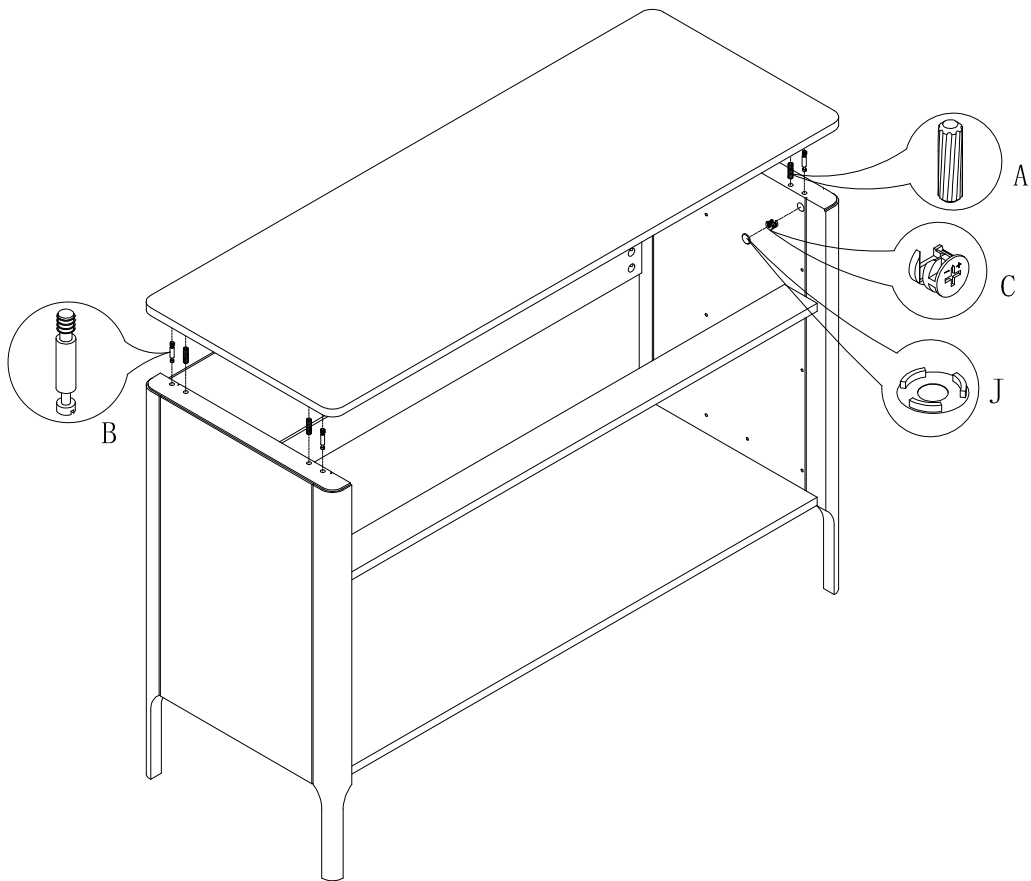
2

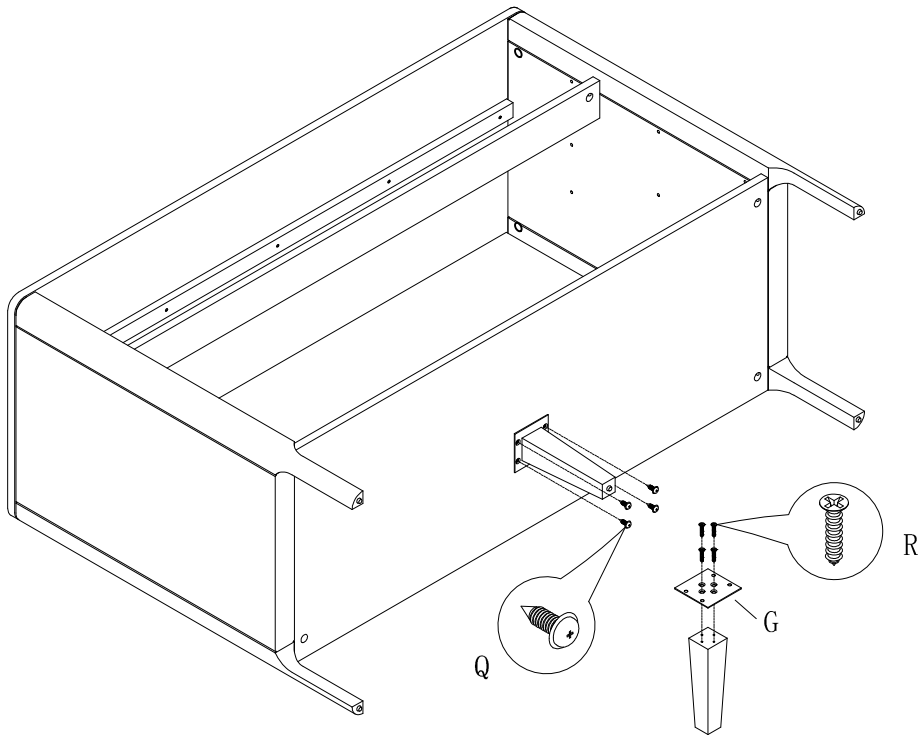




3

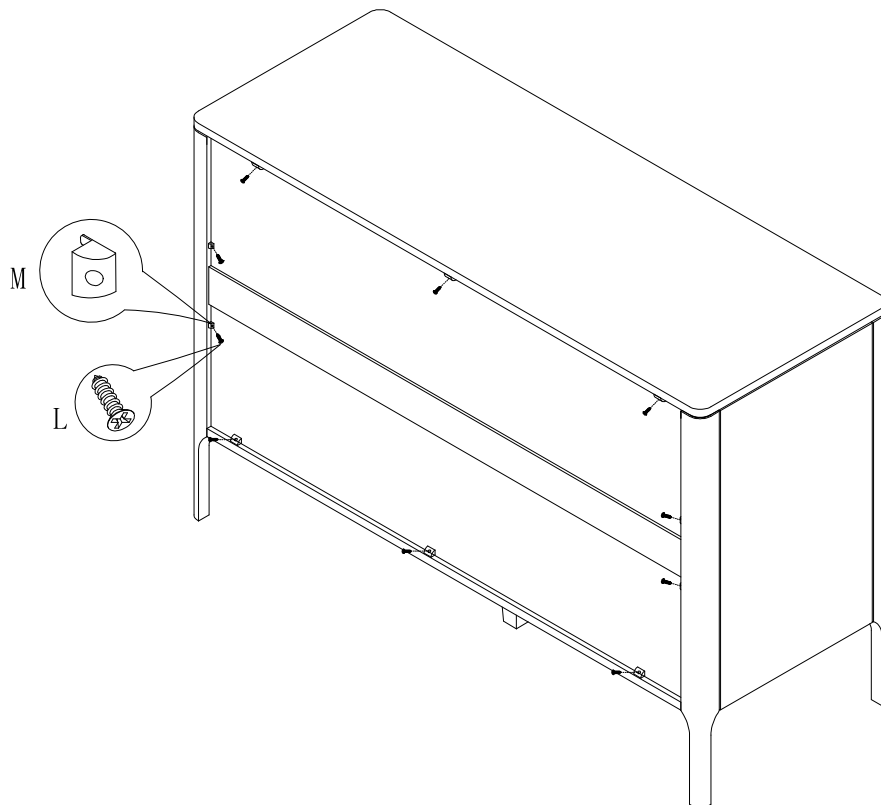
4

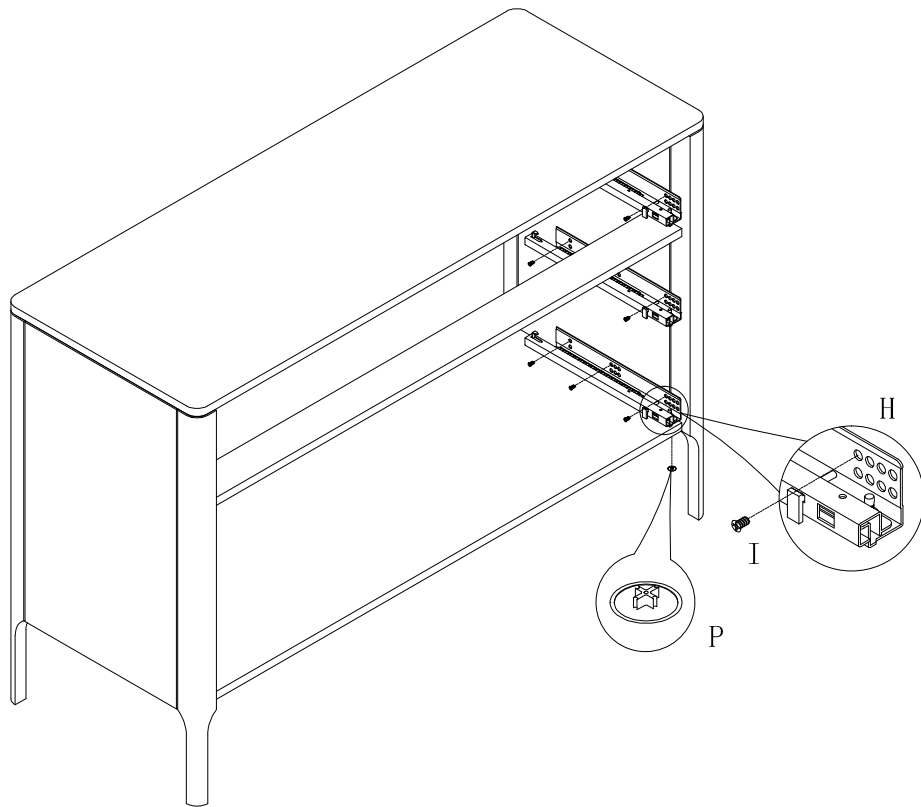




5

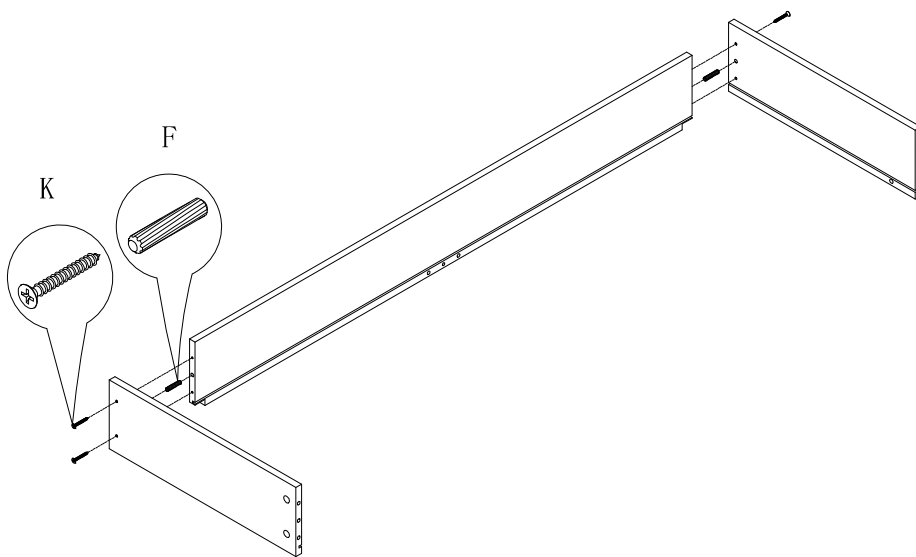
6

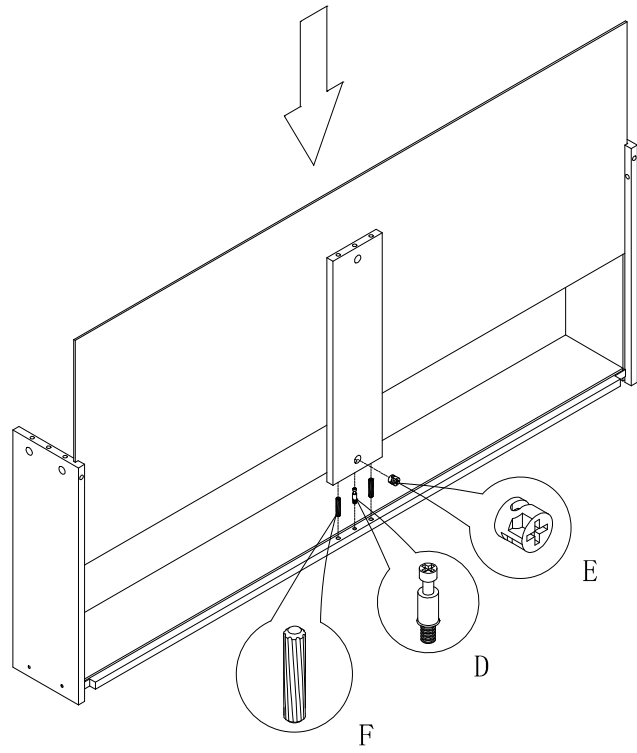




7

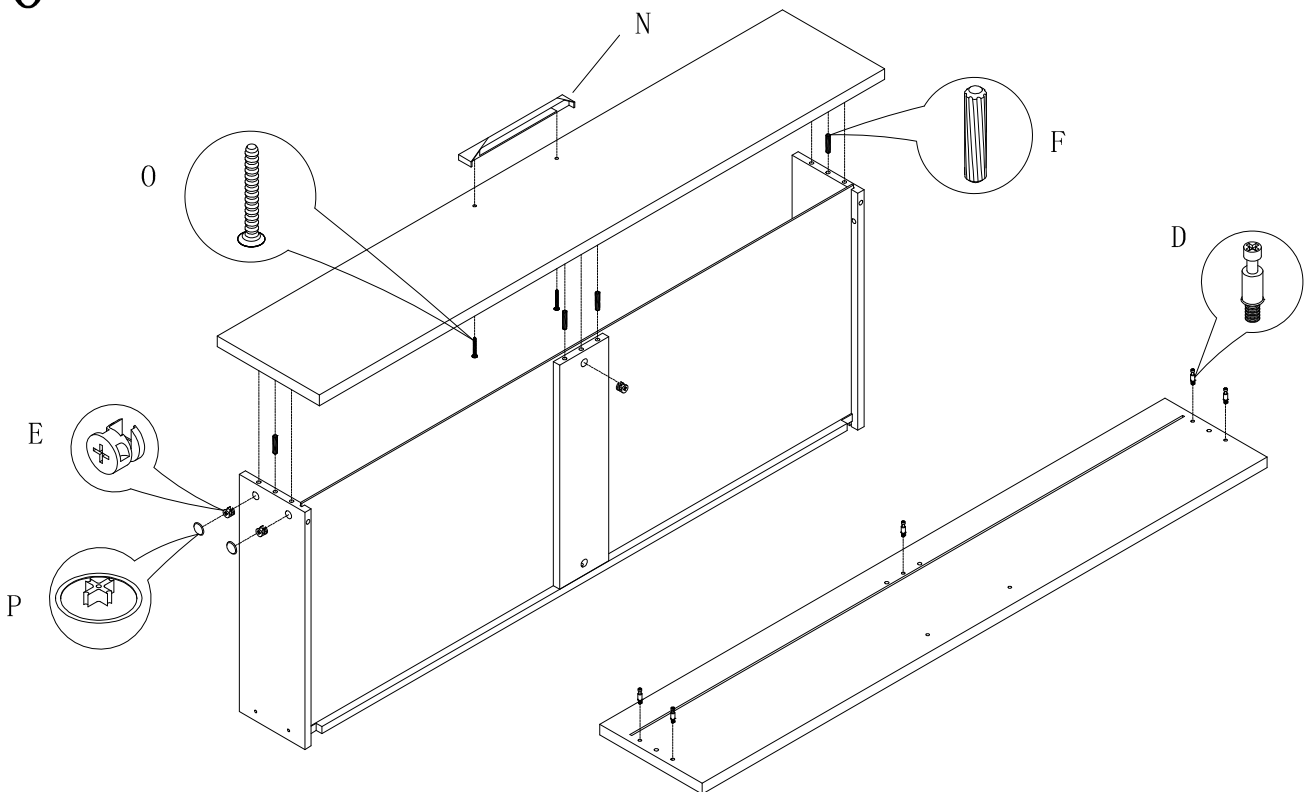
8

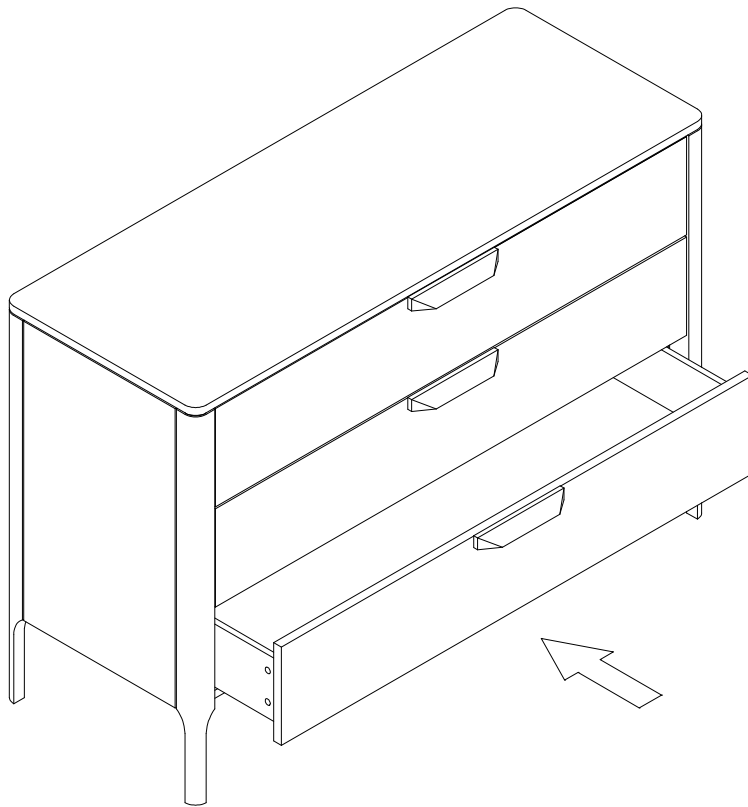




9

10





11

---